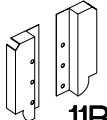
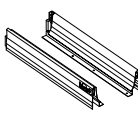
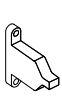
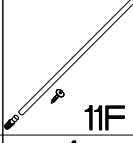



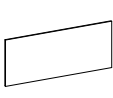
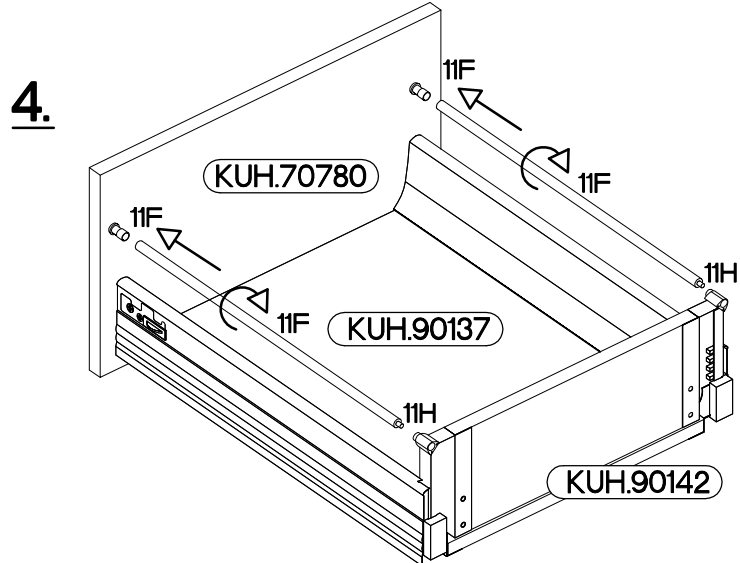
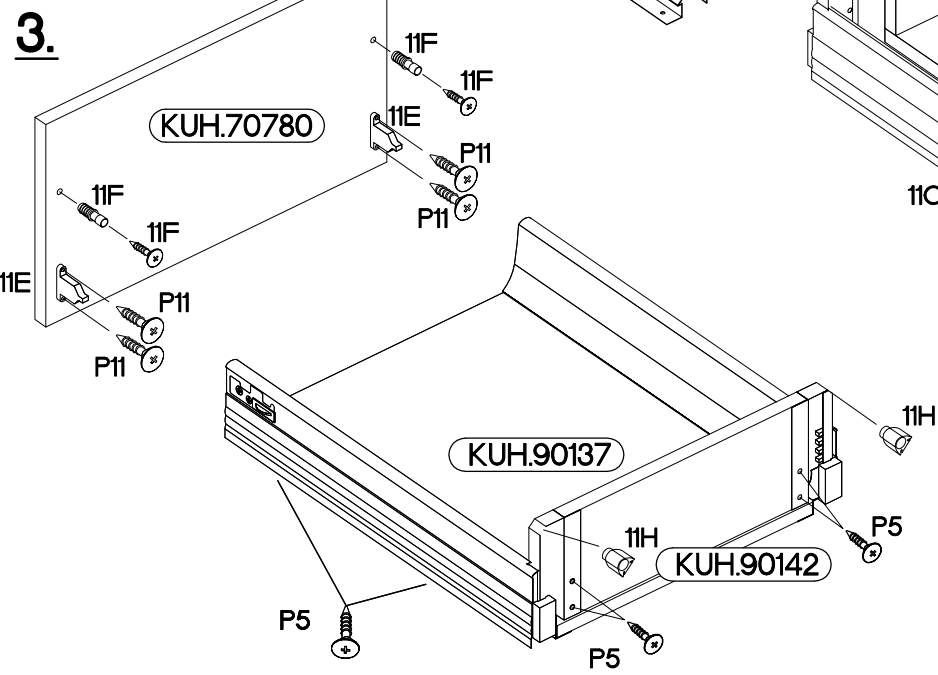
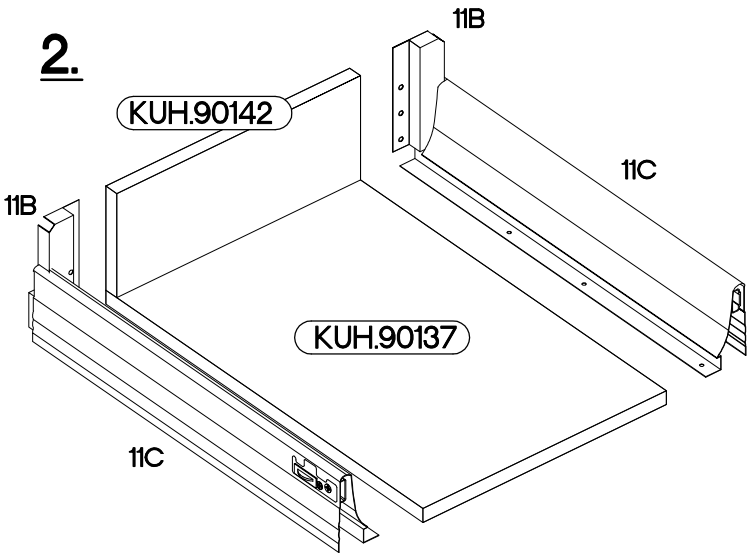
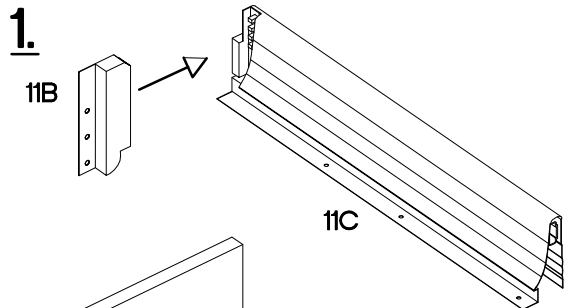




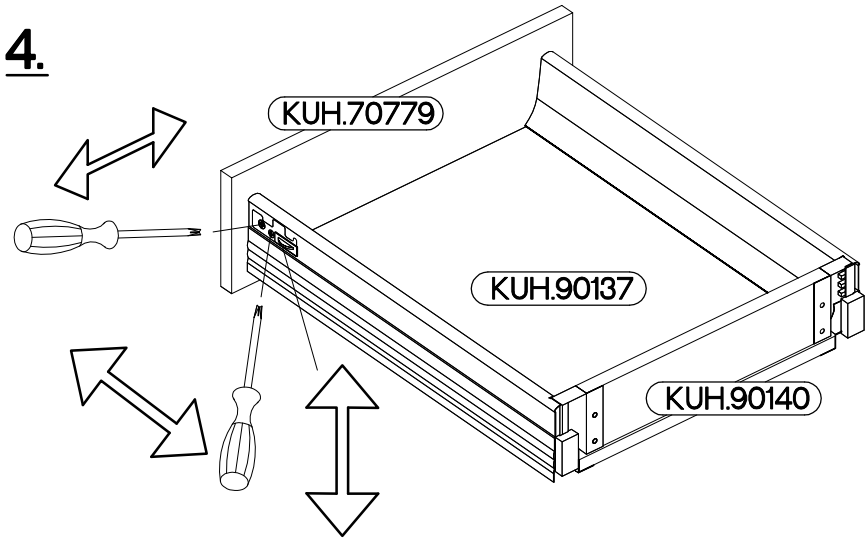
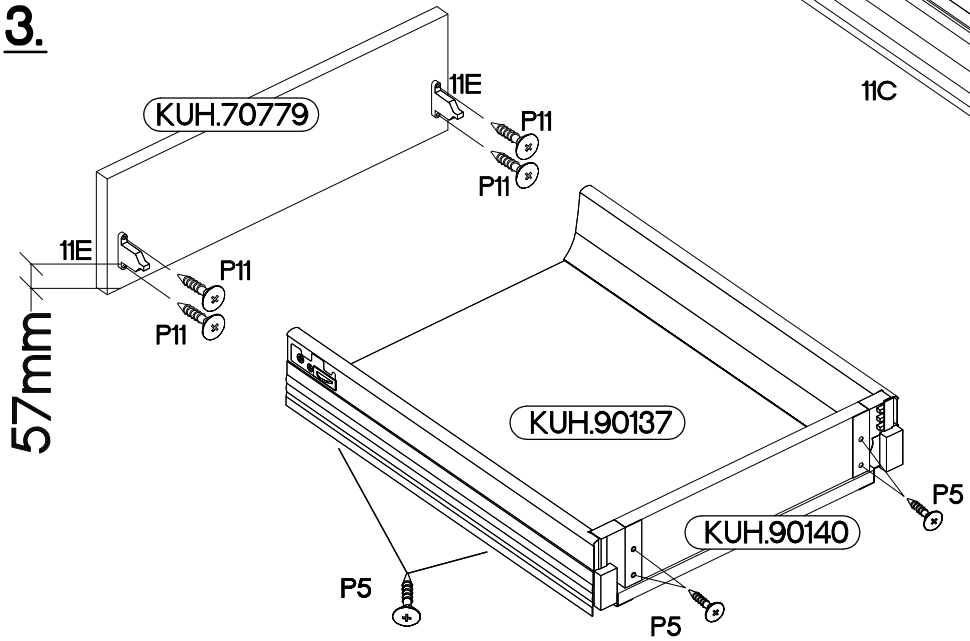
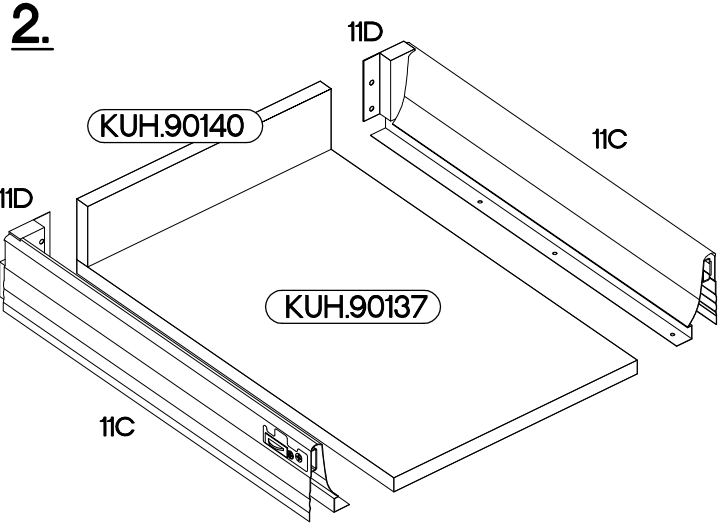
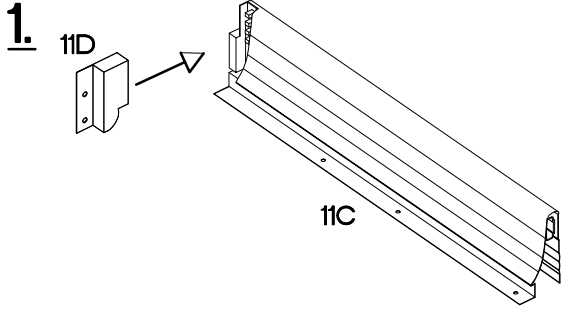
1

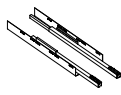


 11B	 11C	 11E	 11F	 11H	 P11	 P5	 11G
2	2	4	4	4	8	16	4

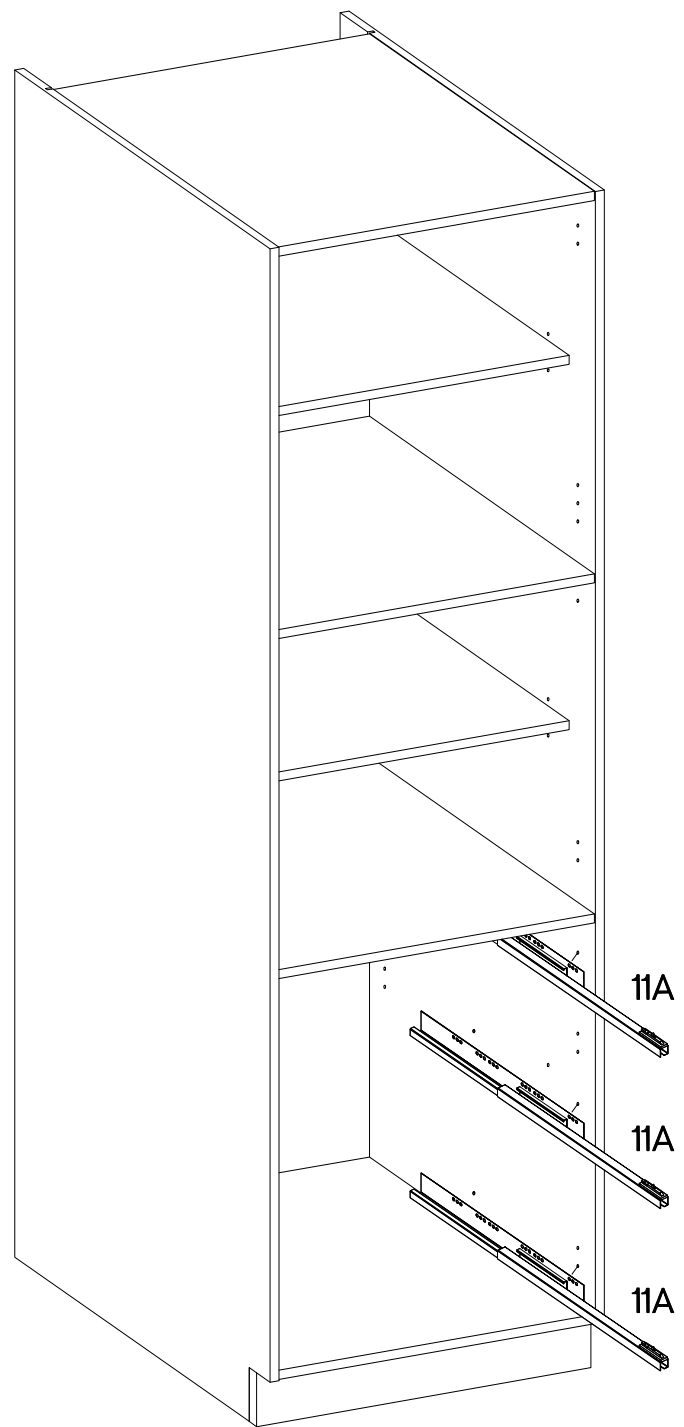
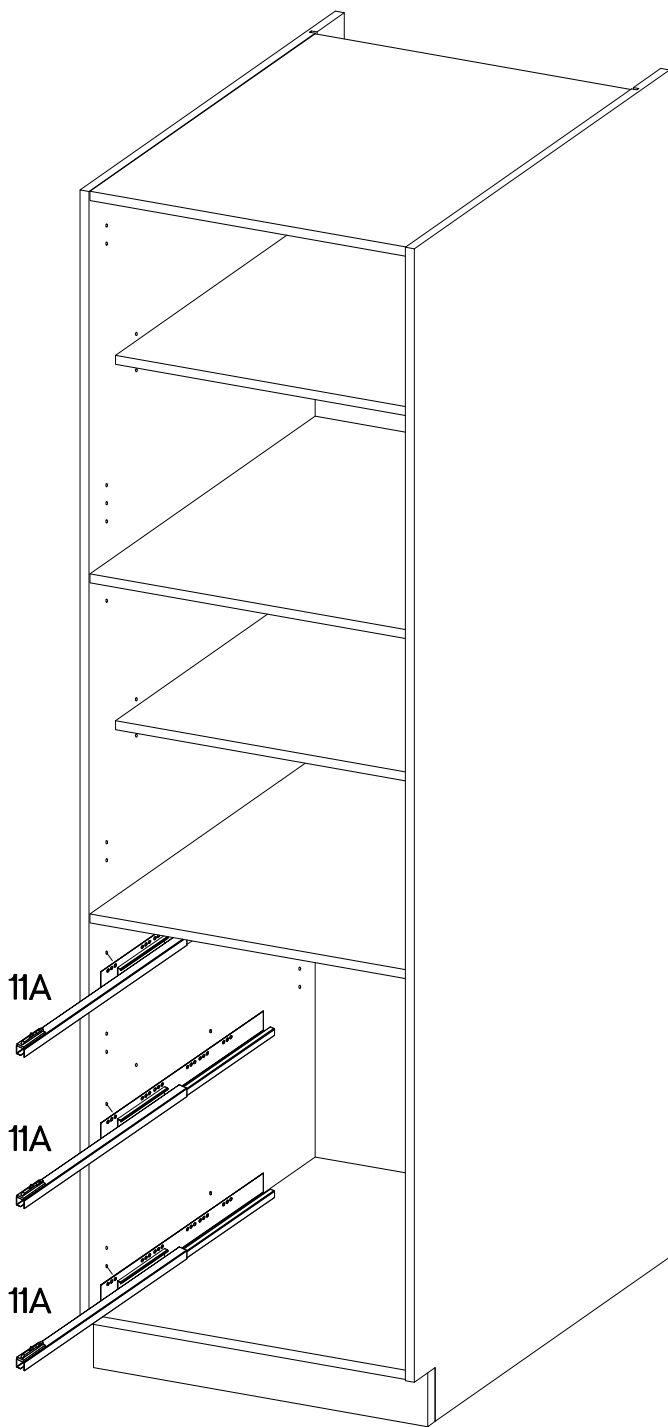
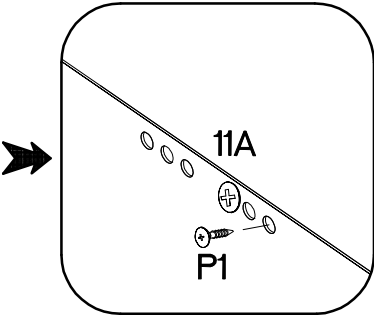
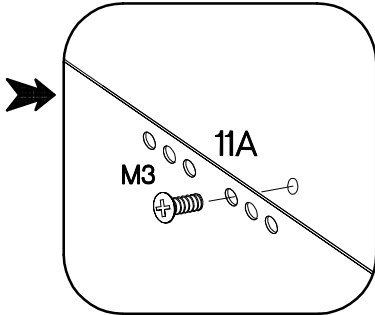
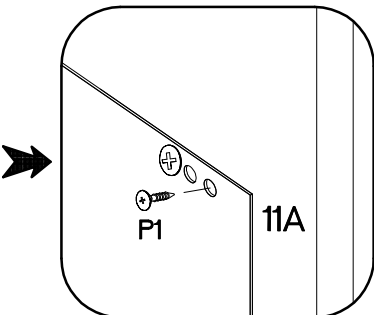
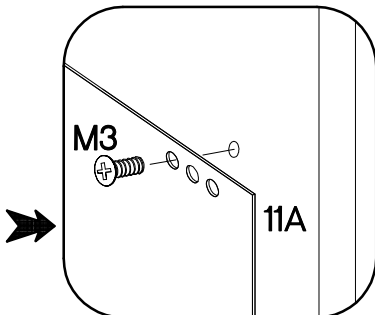
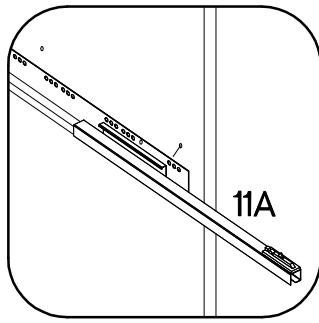


x2

11D	11C	11E	P11	P5	11G
1	1	2	4	8	2



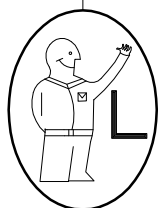
		
11A	M3	P1
3	12	12



4

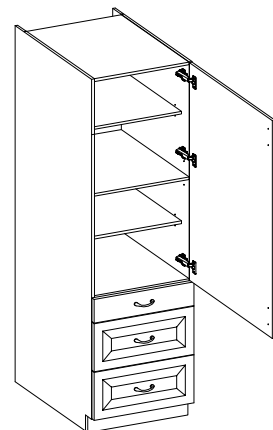
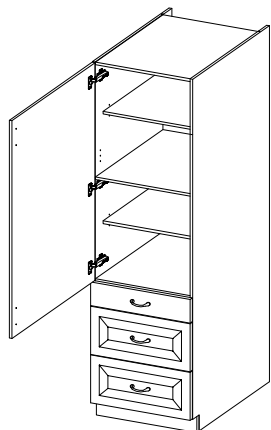
LEFT

RIGHT



KUH.70782

KUH.70782



KUH.70779

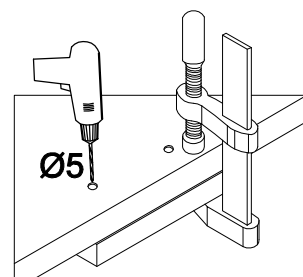
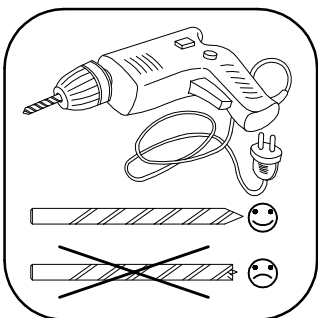
KUH.70779

KUH.70780



KUH.70780

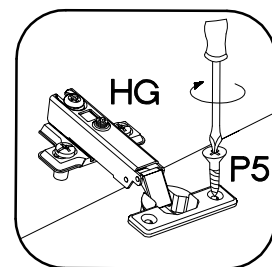
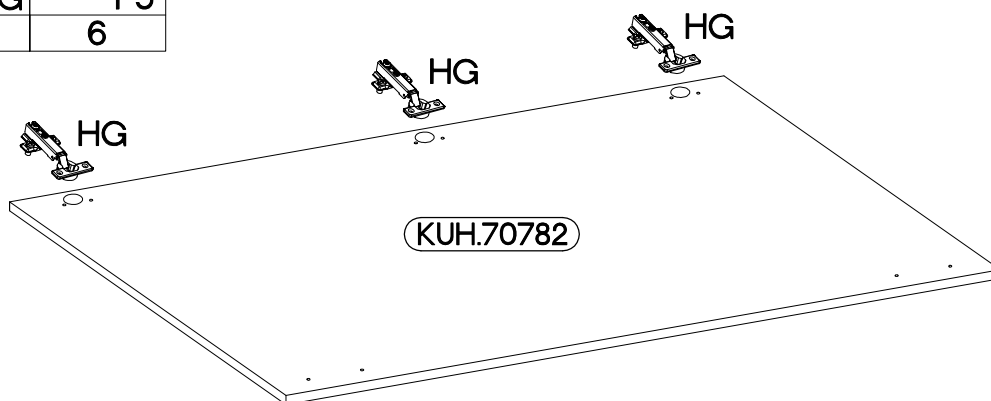
KUH.70780

KUH.70780



5

 †35/0mm HG 3	 †3.5x13mm P5 6
---	---



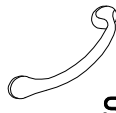
6

M4x22mm



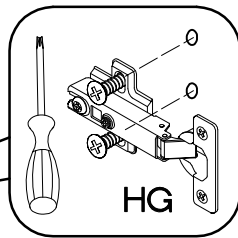
U

8

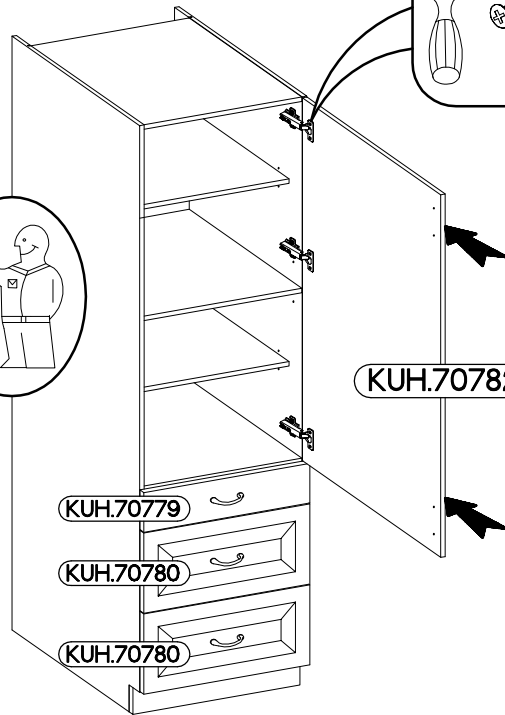
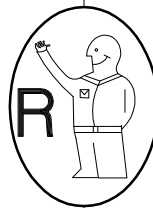


S

4



HG

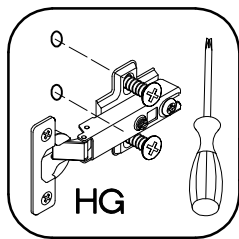


KUH.70782

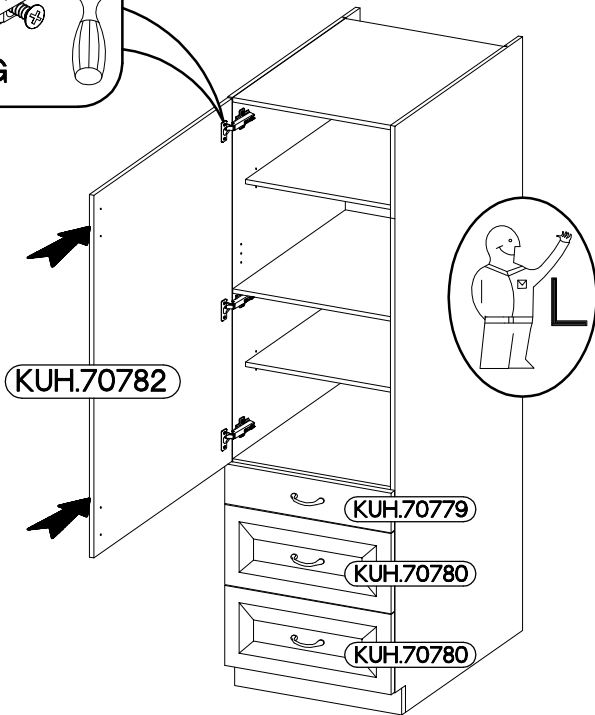
KUH.70779

KUH.70780

KUH.70780



HG

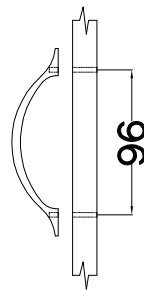
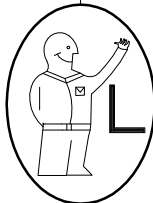


KUH.70782

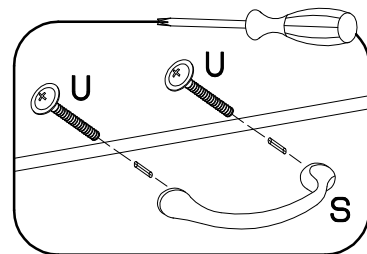
KUH.70779

KUH.70780

KUH.70780



96



U

S

