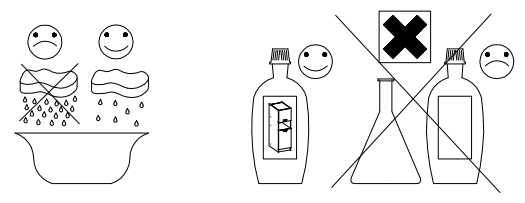
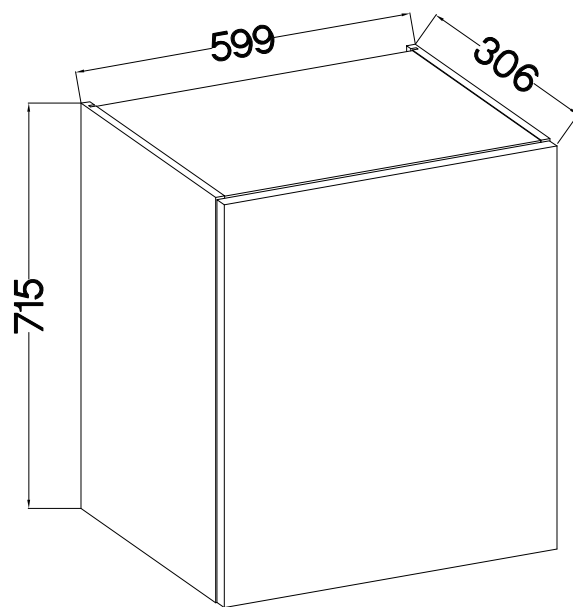
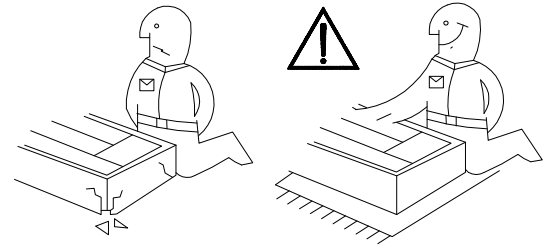
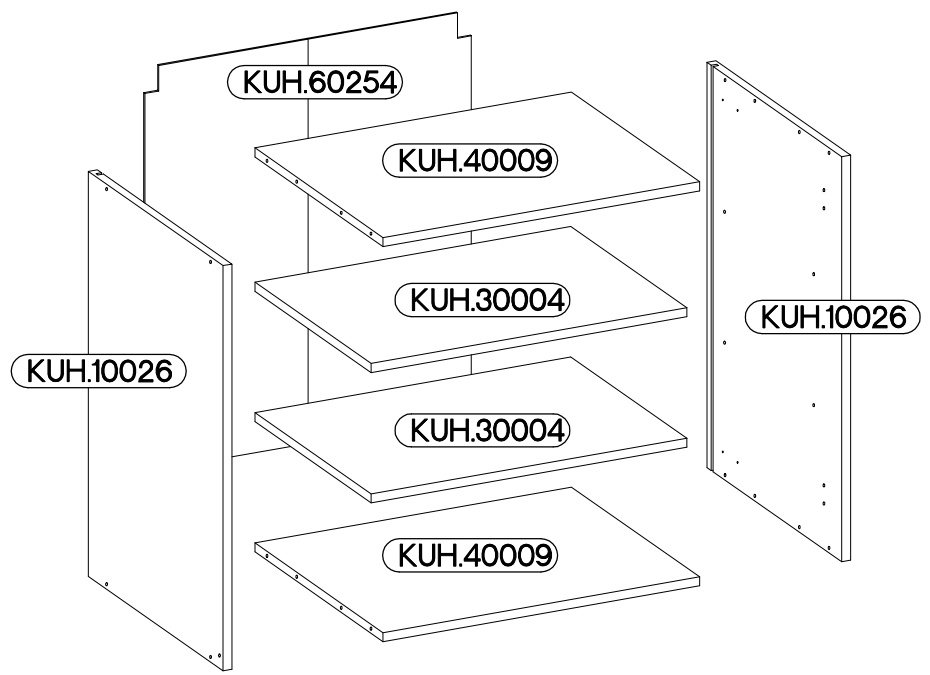
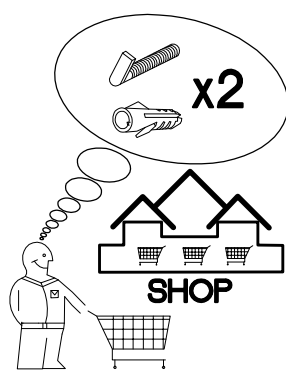
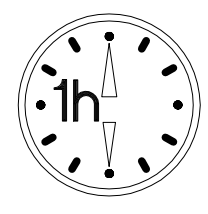


Ø10mm

60 G-72 1F

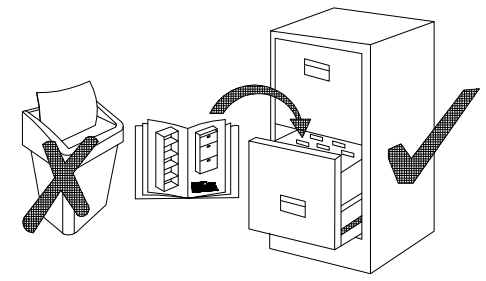


KUH.30004
KUH.40009



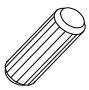
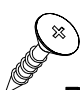
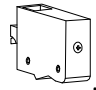
Ersatzteil Nummer	Dimension
KUH.10026 x2	715x290x16
KUH.30004 x2	566x250x16
KUH.40009 x2	567x276x16
KUH.60254	713x585x2,5

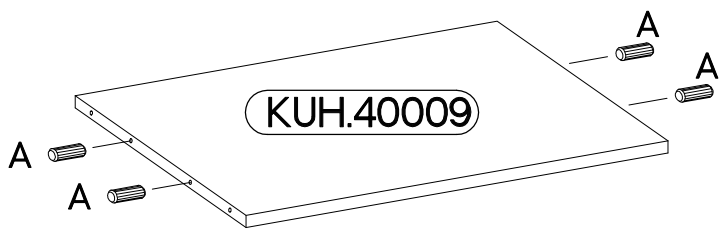
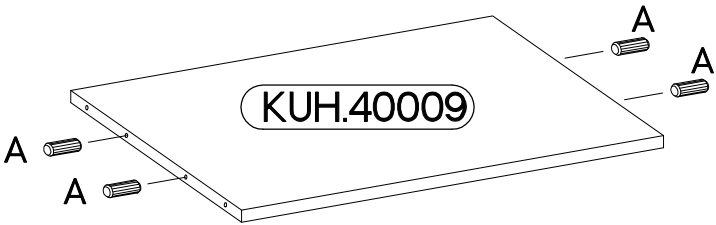
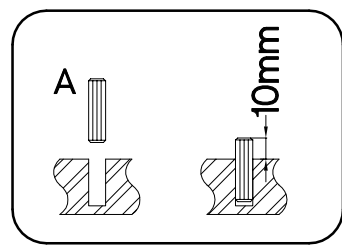
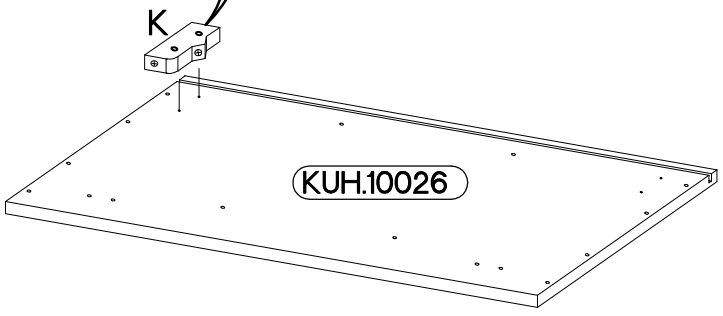
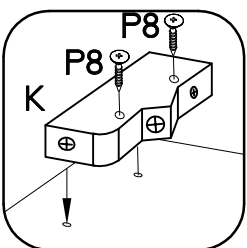
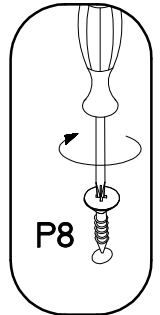
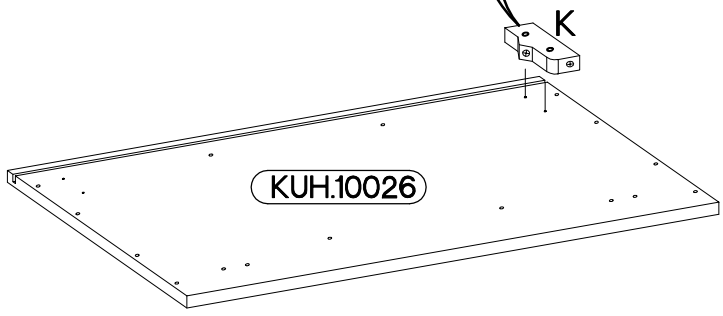
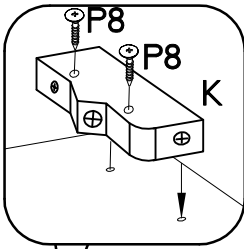
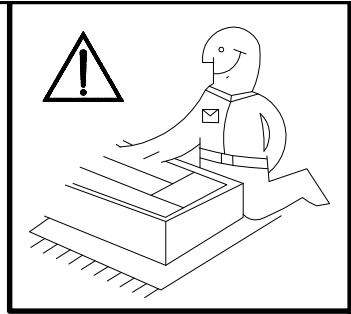
A	B	E1	HG		
8	8	8	2		
J	K	O	P5	P7	P8
8	2	1	4	8-10	4




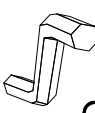

ISM-KUH-01142

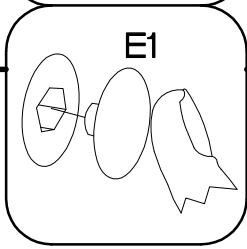
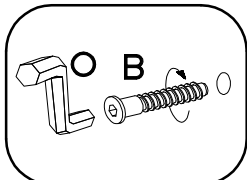
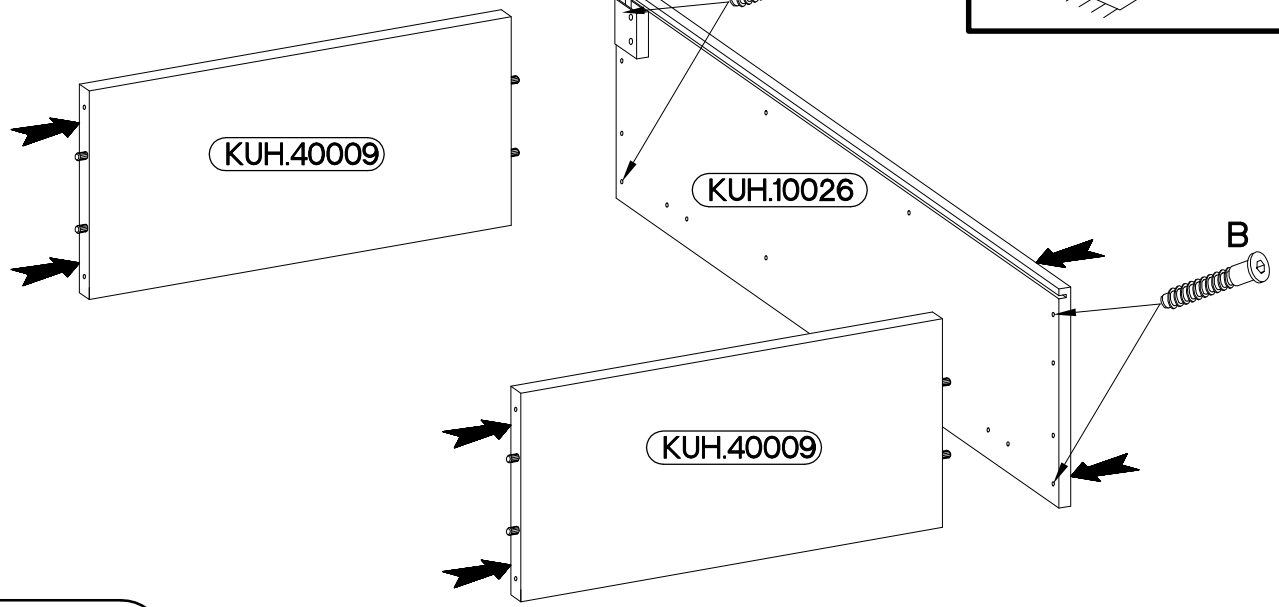
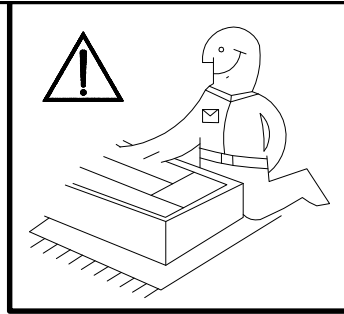
1

$\pm 8 \times 30 \text{mm}$  A 8	$\pm 4.0 \times 30 \text{mm}$  P8 4	 K 2
---	--	--

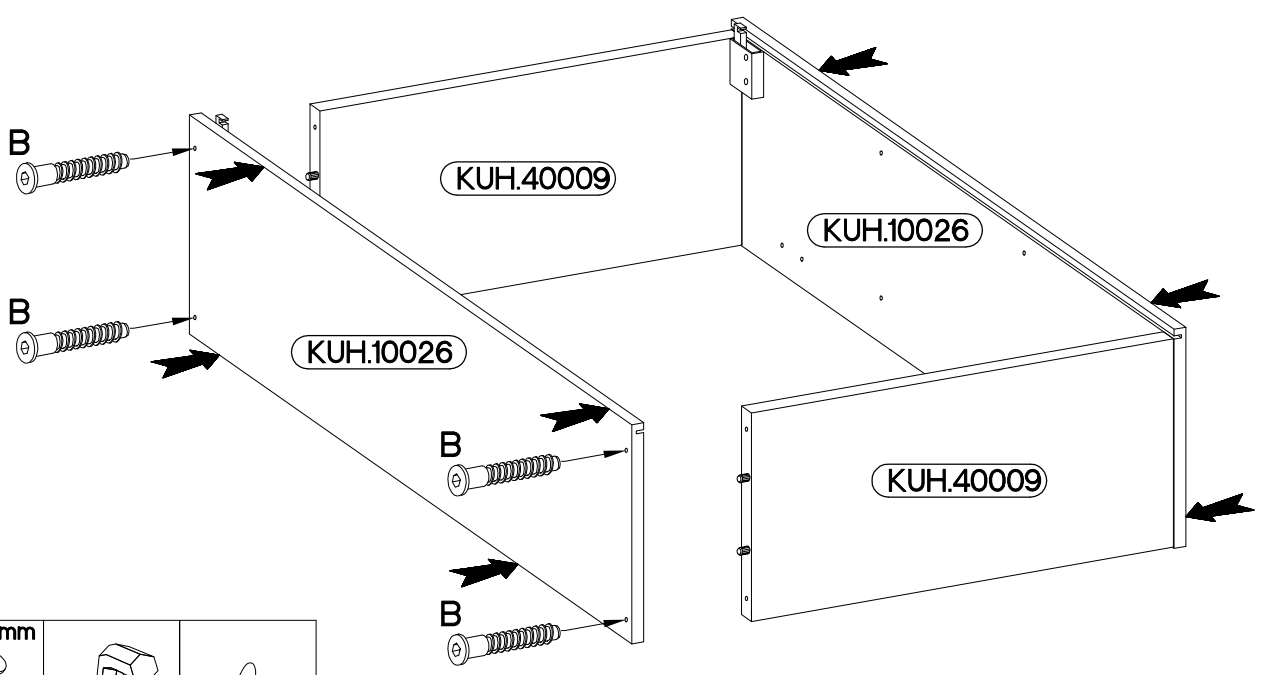


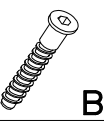


2

6,4 x 50mm		
		
B	O	E1
4	1	4

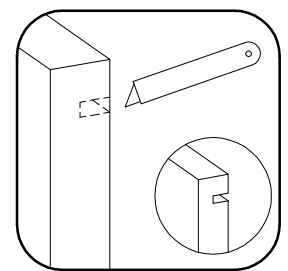
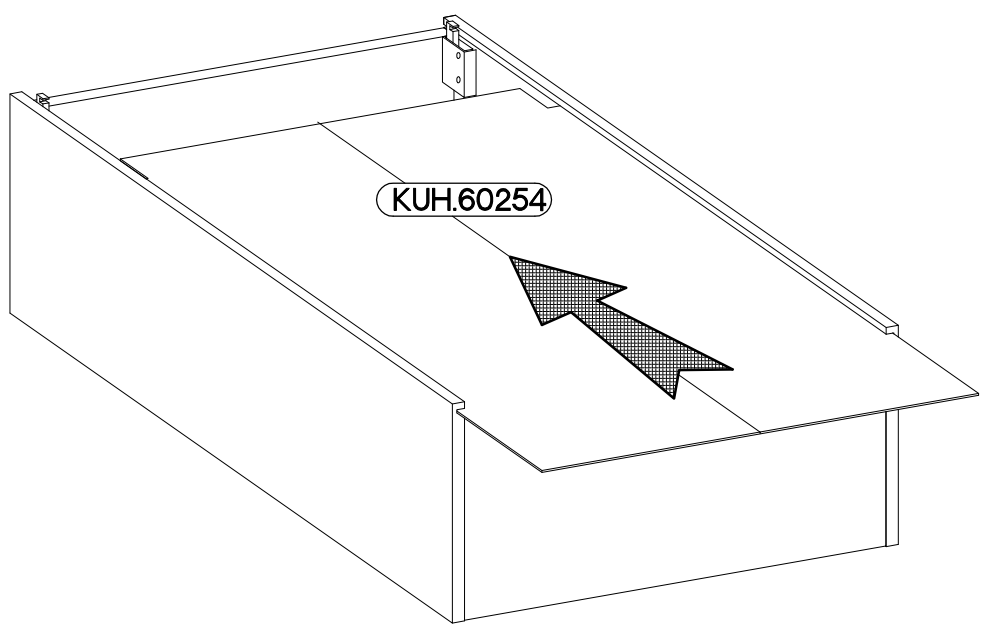
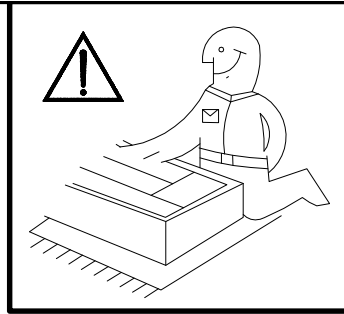


3

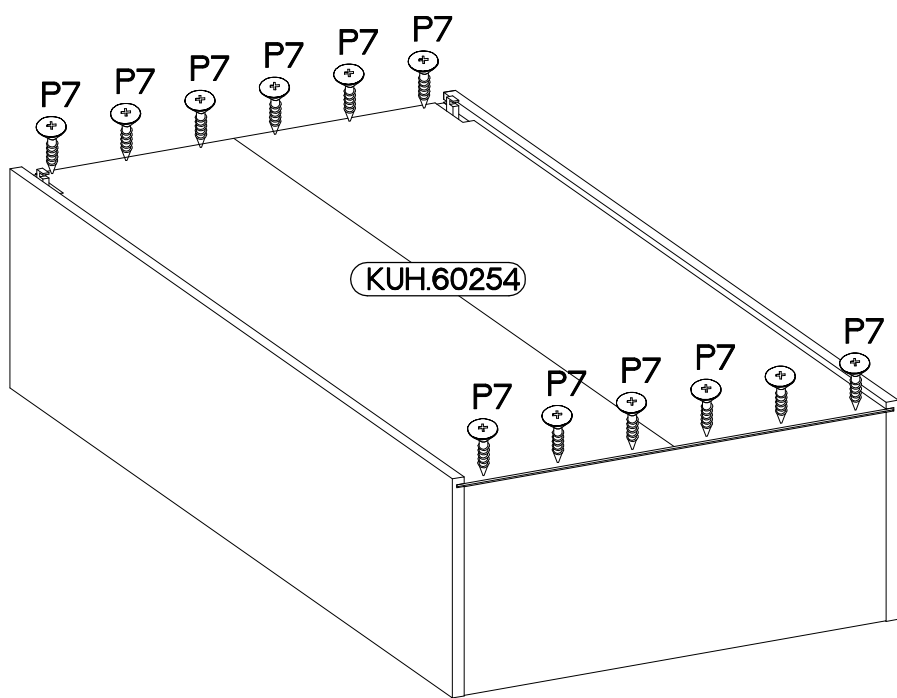
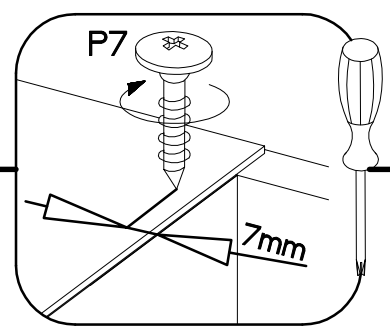
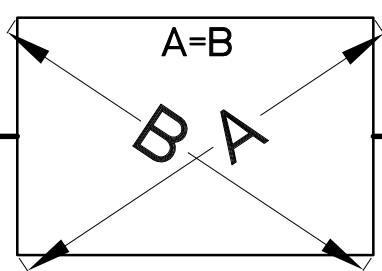
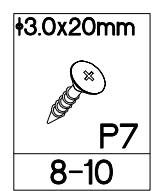


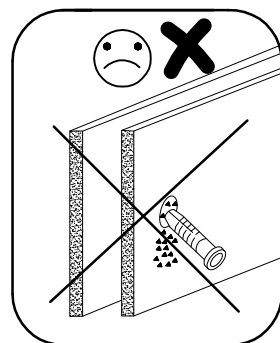
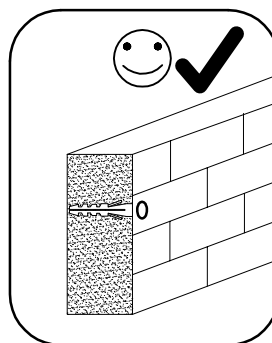
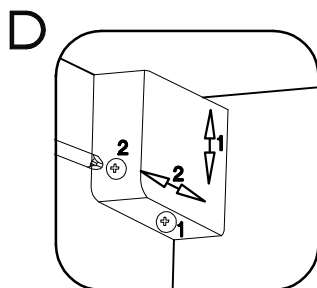
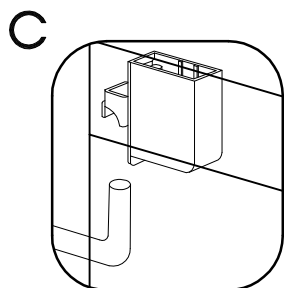
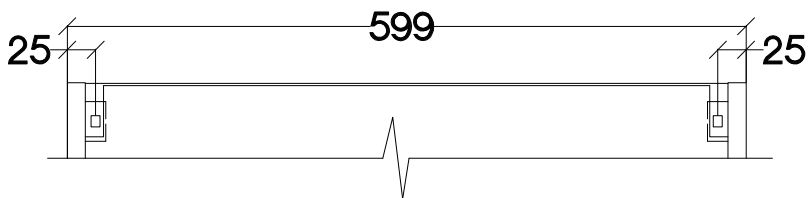
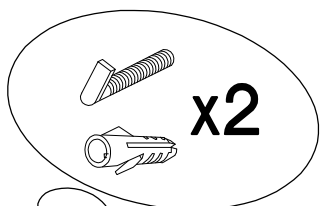
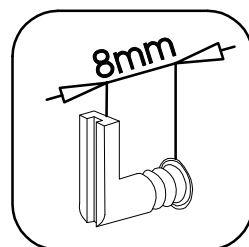
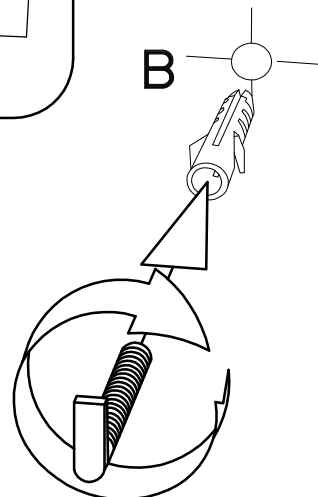
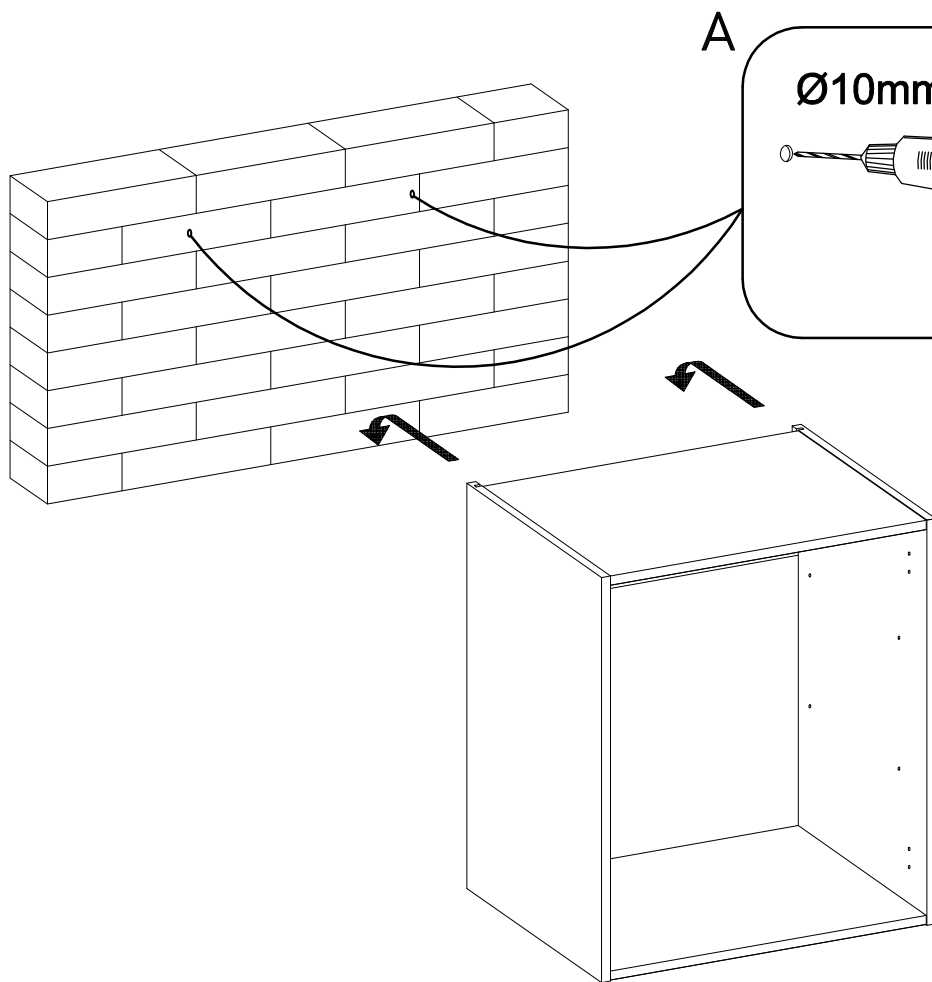
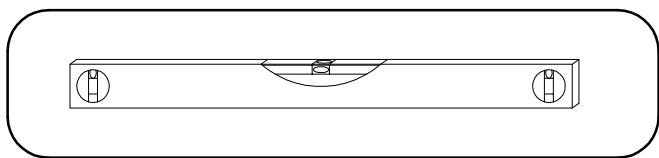
6,4 x 50mm		
		
B	O	E1
4	1	4

4

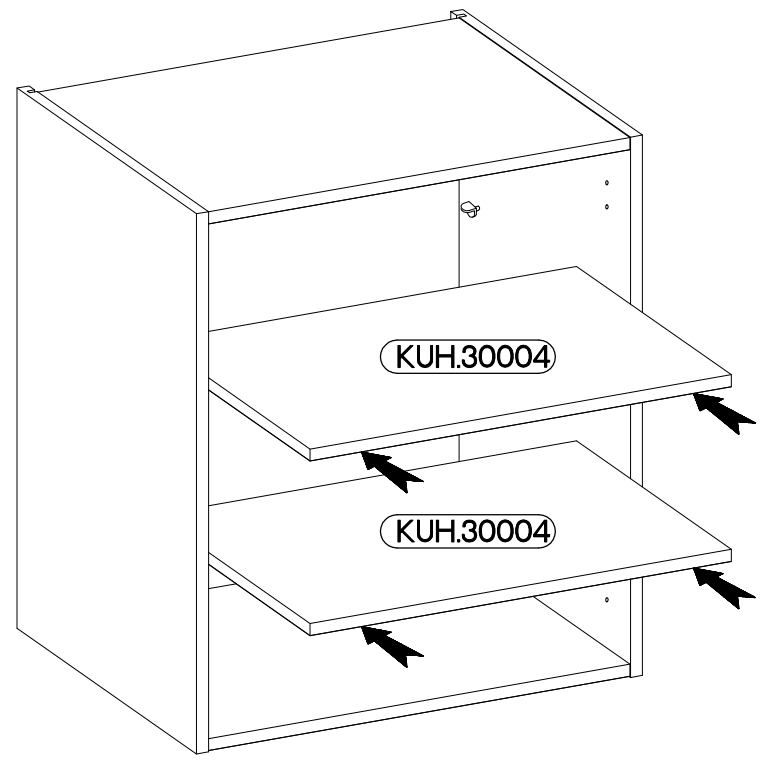
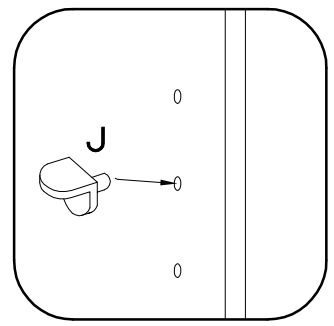
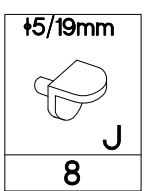


5





7



8

FRONT

