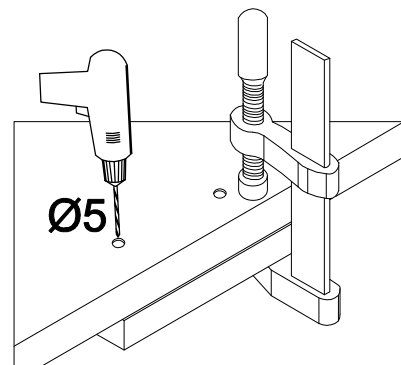
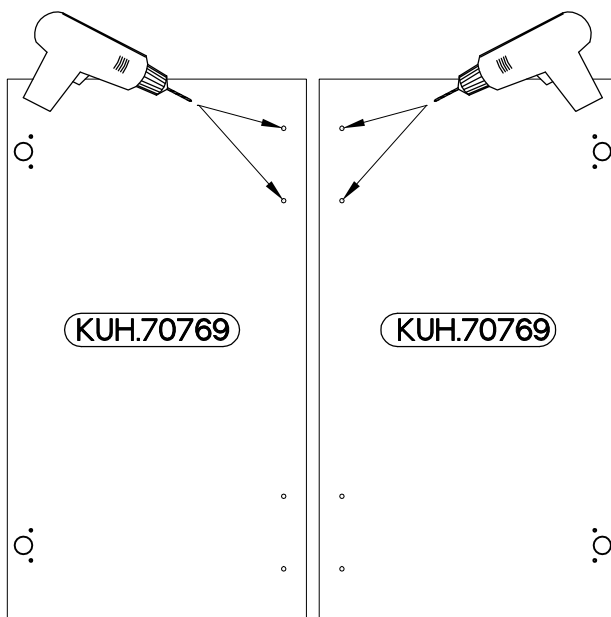
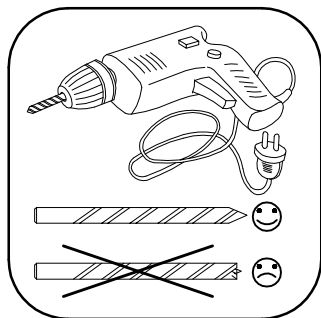




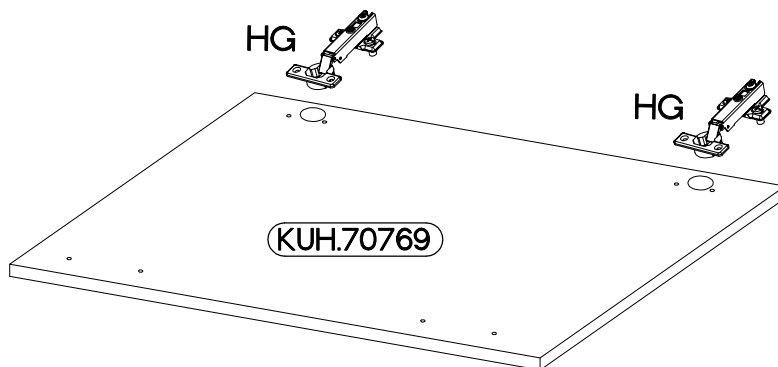
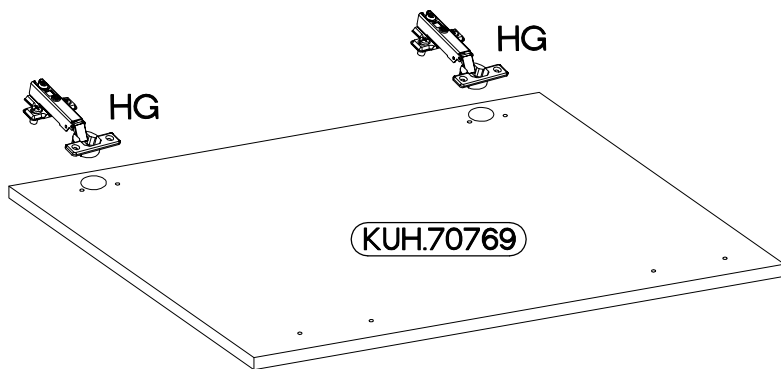
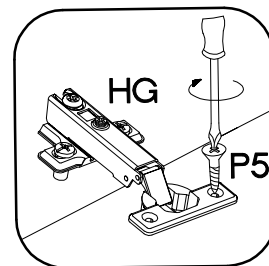
1



80 D 2F BB

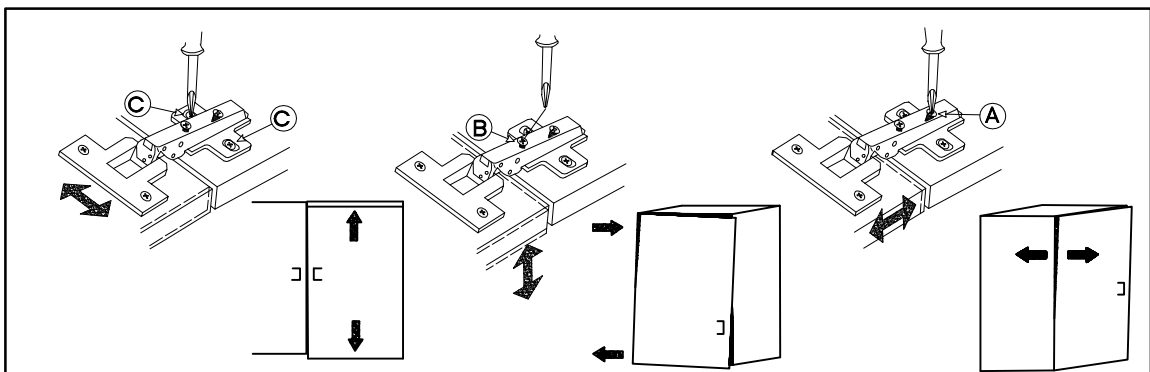
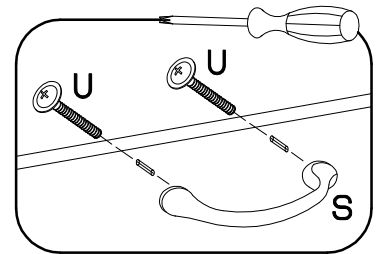
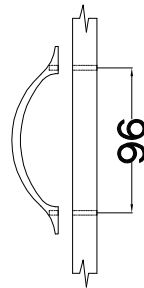
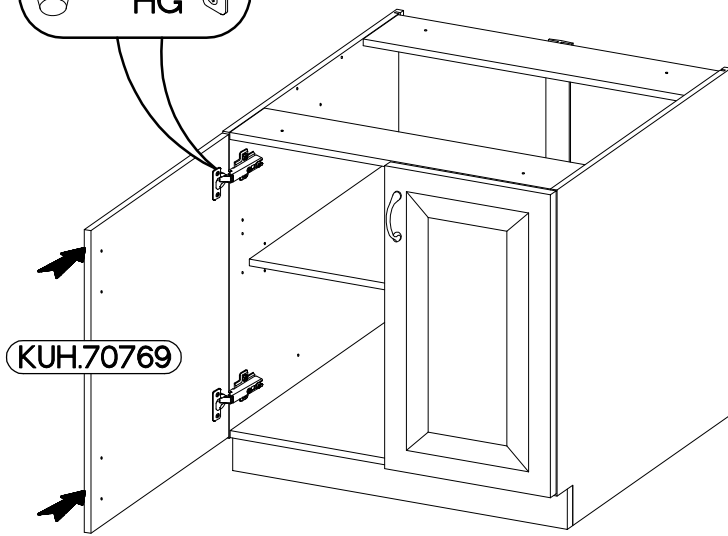
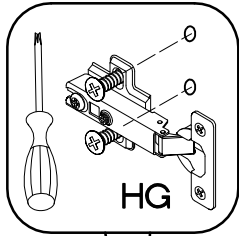
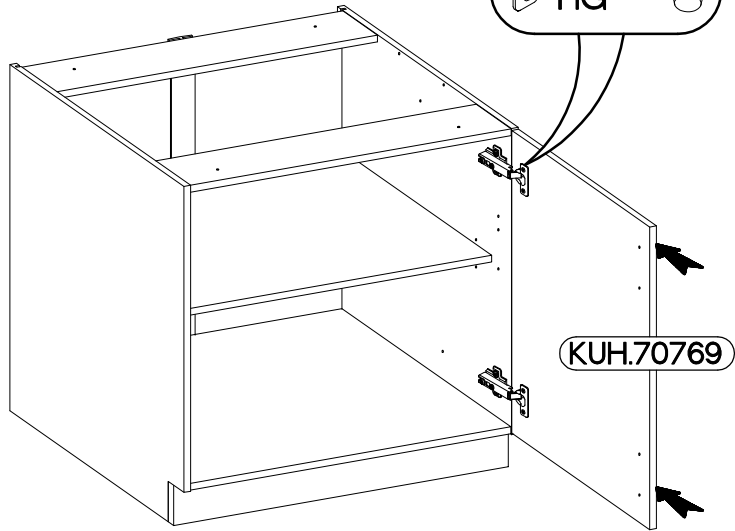
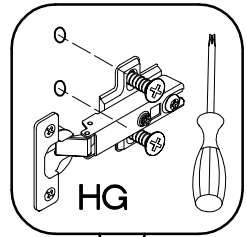


2

+35/0mm  HG 4	+3.5x13mm  P5 8
------------------------	--------------------------

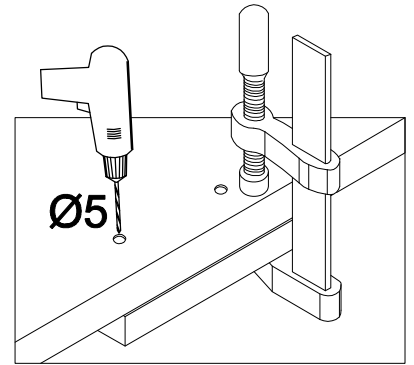
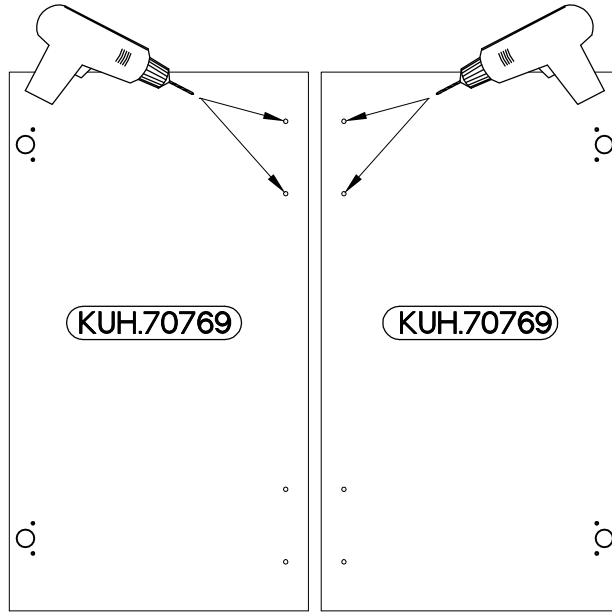
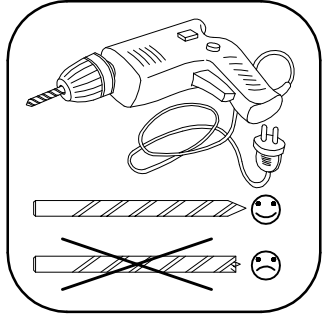


M4x22mm	
	
U	S
4	2





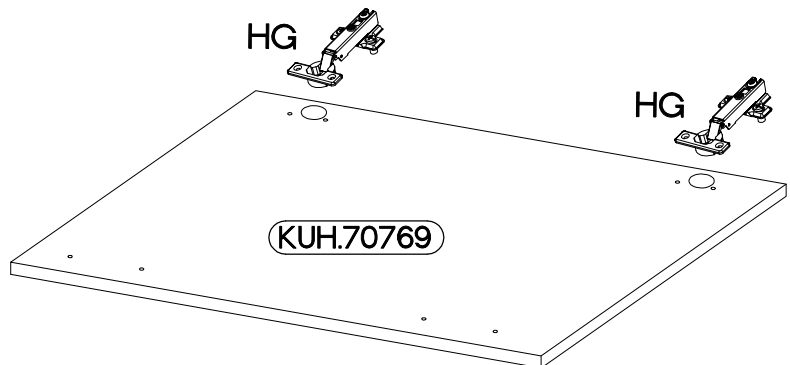
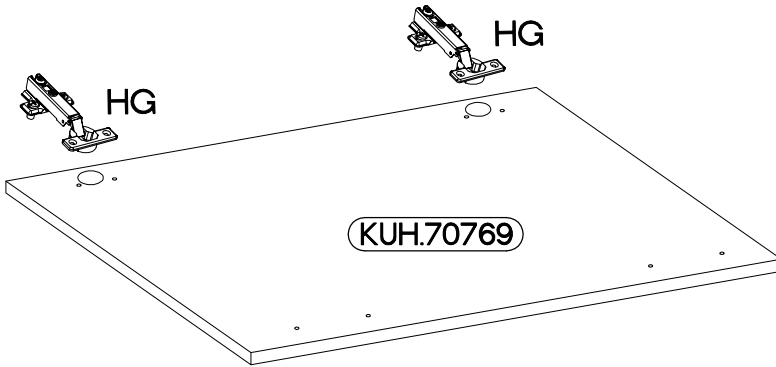
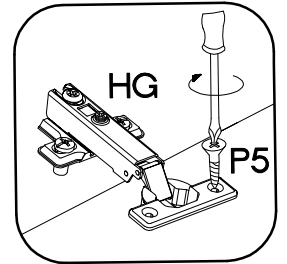
4

80 ZL 2F BB



5

 HG 4	 P5 8
---	---



6

M4x22mm



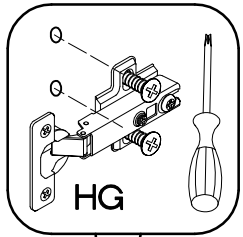
U

4

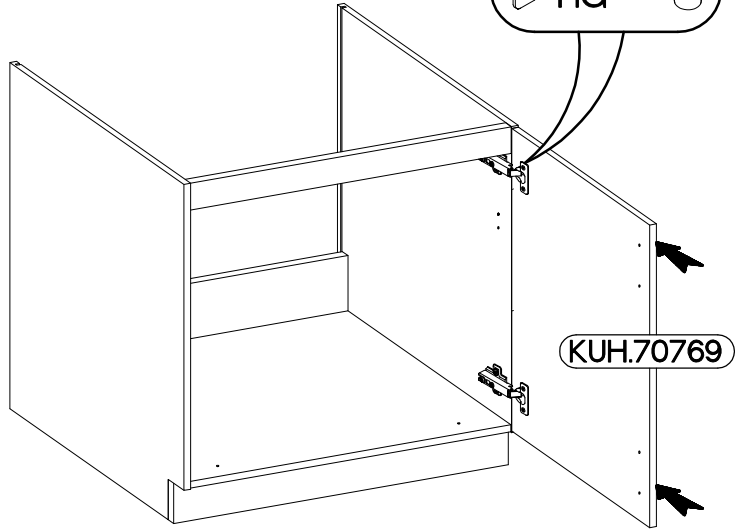


S

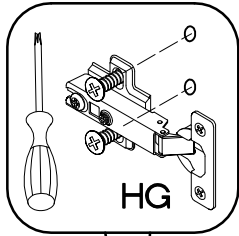
2



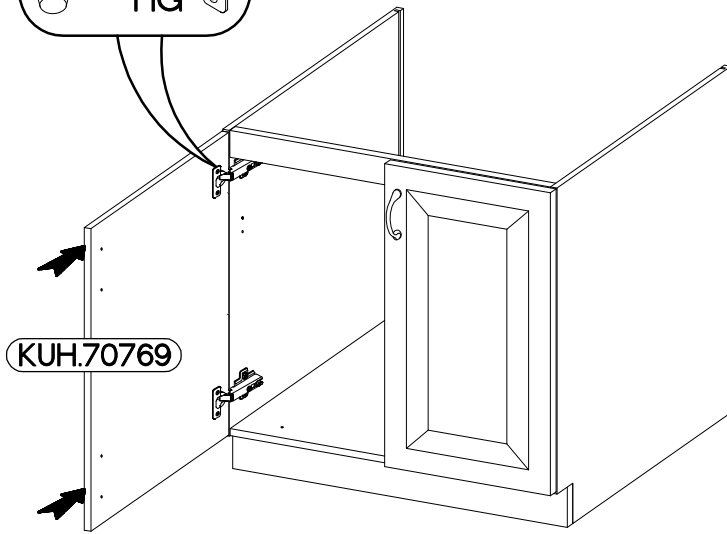
HG



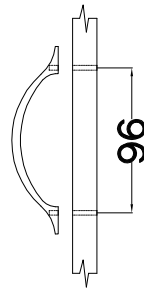
KUH.70769



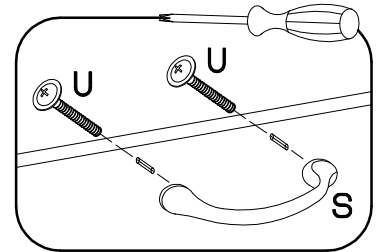
HG



KUH.70769

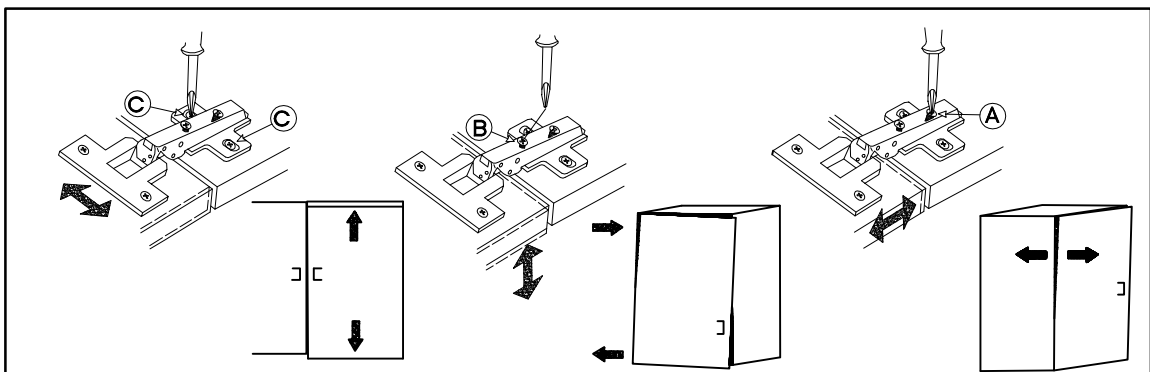


96



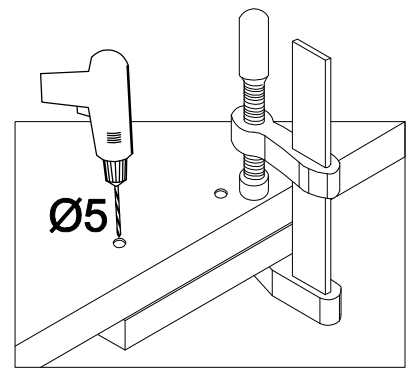
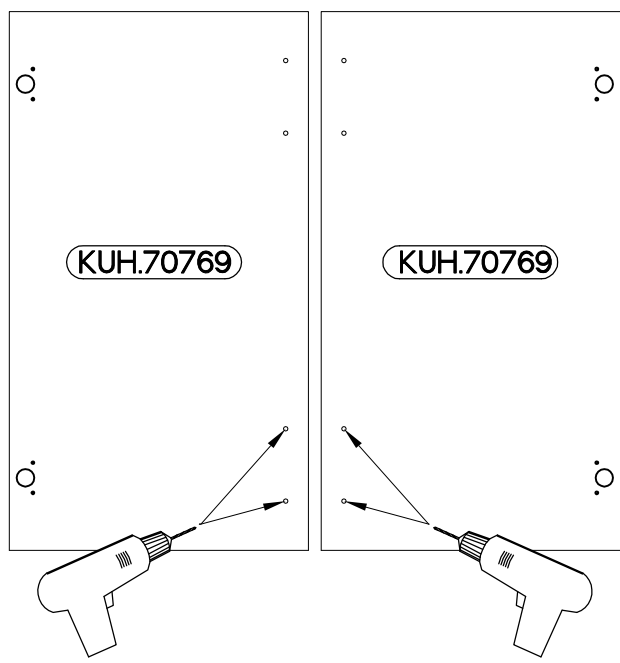
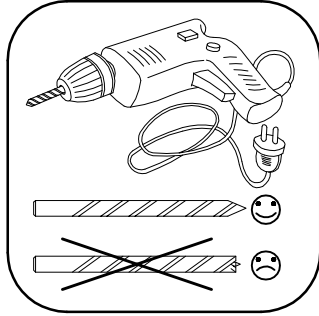
U

S



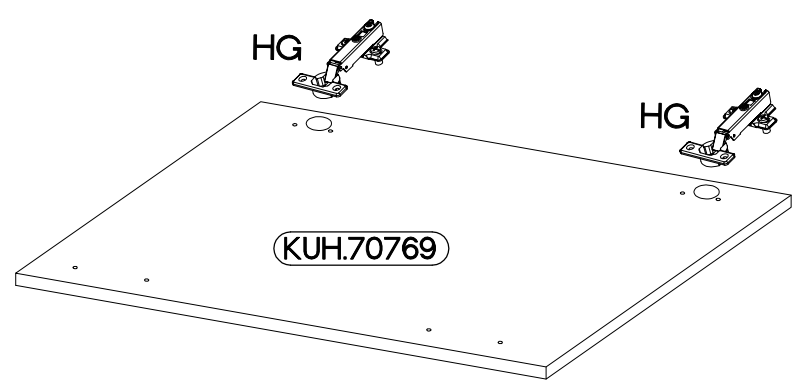
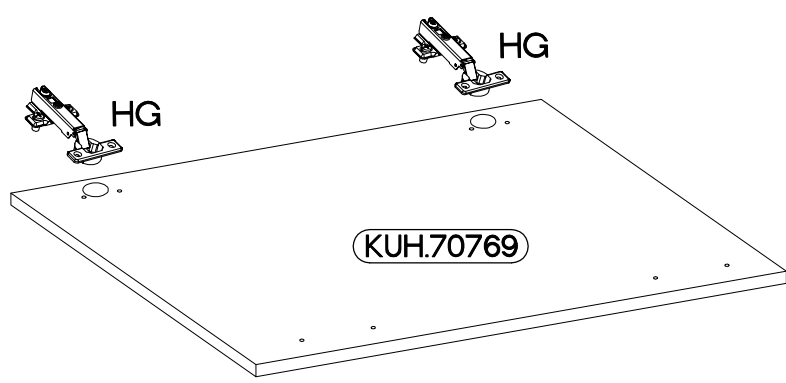
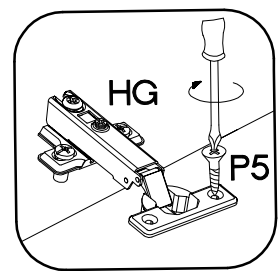
7



80 G-72 2F



8

+35/0mm	+3.5x13mm
HG	P5
4	8



M4x22mm		
	U	S
4		2

