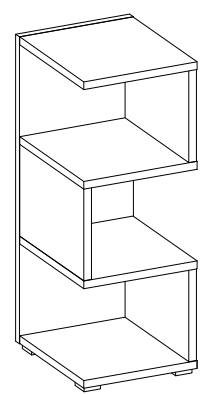
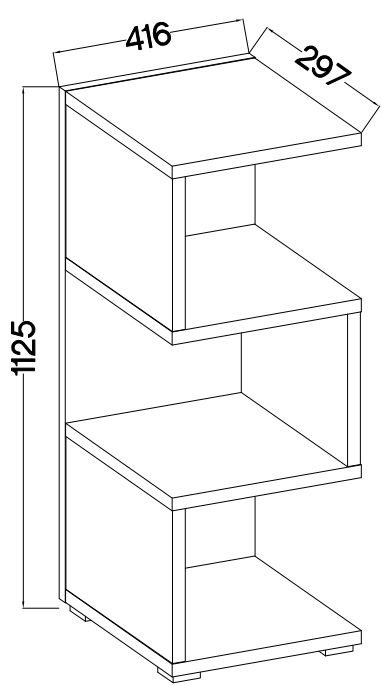
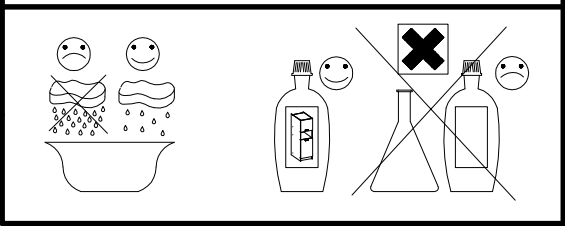
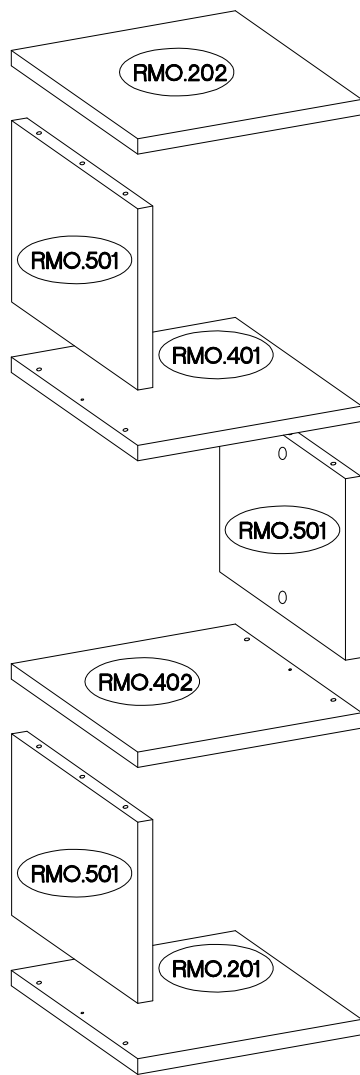
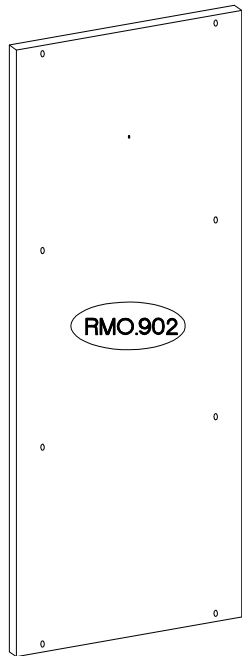


# MORE 02



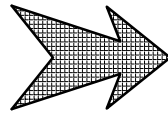
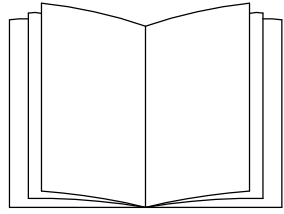
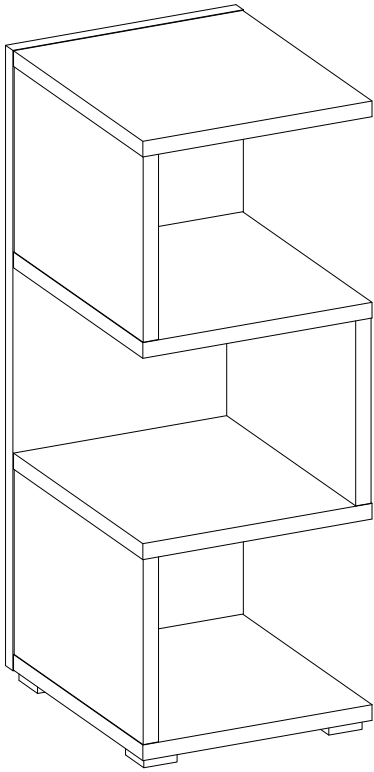
 Ø10x50mm O7 1	 Ø5.0x70mm P29 1	 Ø20 E11 1					
 Ø8x30mm A 12	 6,4 x 50mm B 8	 Ø15/18mm C6 6	 L=20mm D2 6	 E 6	 60x40x20 F1 4	 Ø4.0x25mm P14 8	 O 1

# ISM-RMO-002



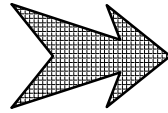
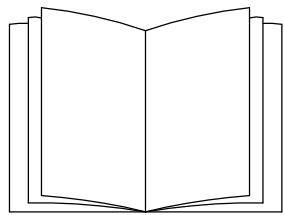
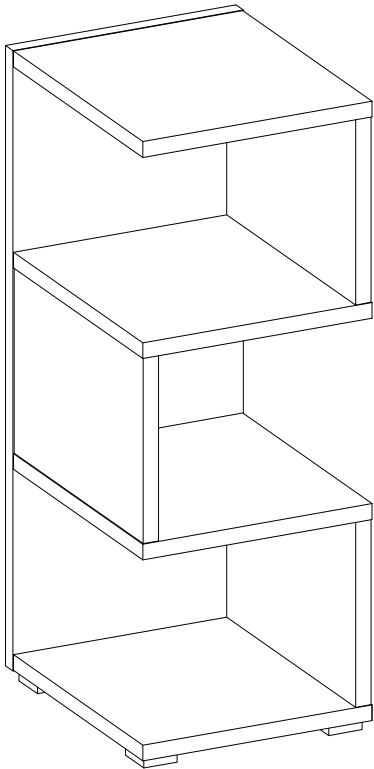
- RMO.201
- RMO.202
- RMO.401
- RMO.402

Colli	Ersatzteil Nummer	Dimension
Colli 1/1	RMO.201	414x281x28
	RMO.202	414x281x28
	RMO.401	414x281x28
	RMO.402	414x281x28
	RMO.501 x 3	330x280x28
	RMO.902	1104x416x16



1 — 11

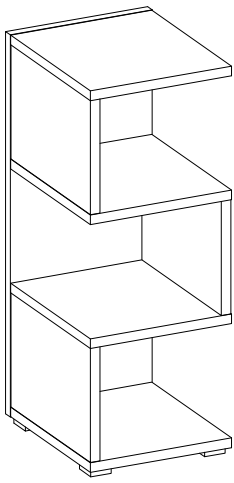
23

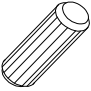

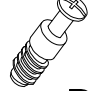
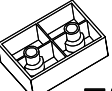



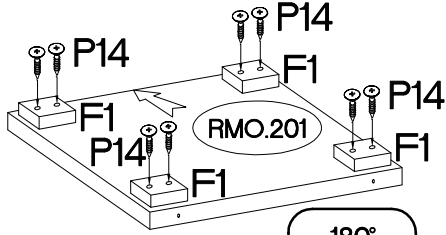
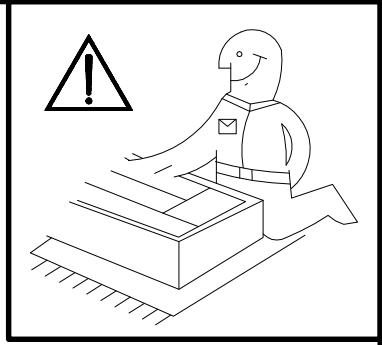
12 — 22

23

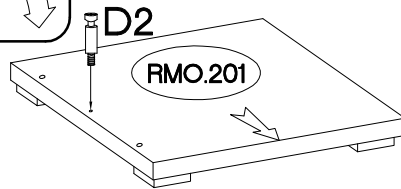
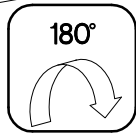
1



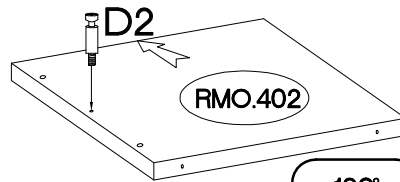
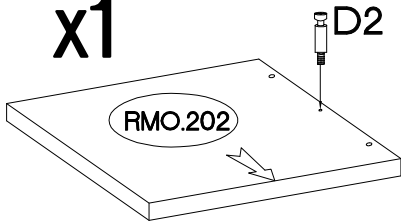
$\varnothing 8 \times 30 \text{mm}$  A 12	$\varnothing 15/18 \text{mm}$  C6 6	L=20mm  D2 6	60x40x20  F1 4	$\varnothing 4.0 \times 25 \text{mm}$  P14 8
---	---	--	---	--



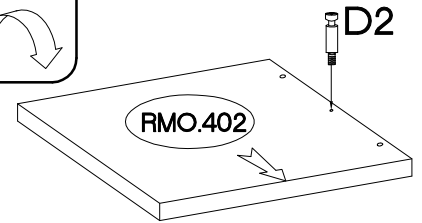
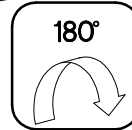
x1



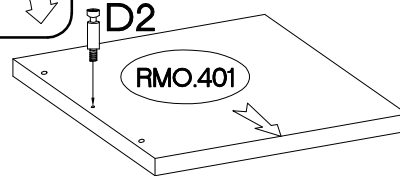
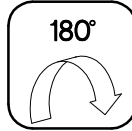
x1



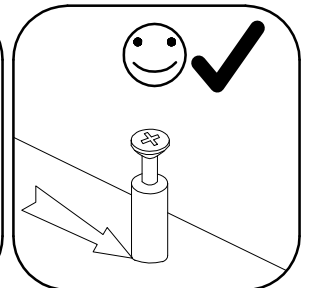
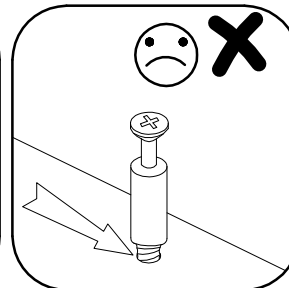
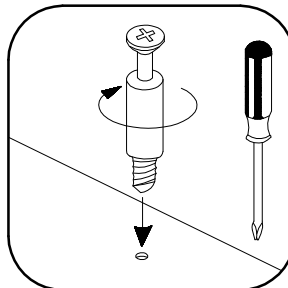
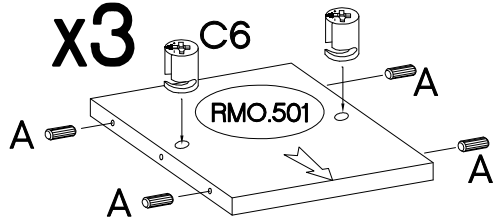
x1



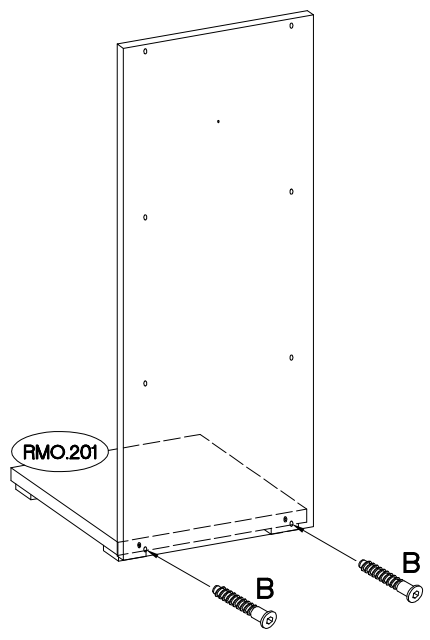
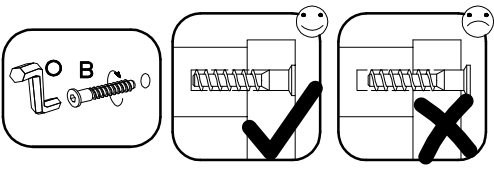
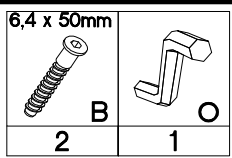
x1



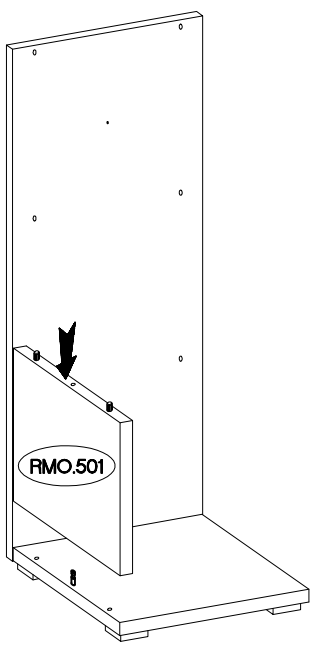
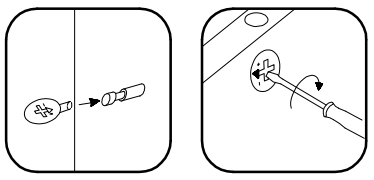
x3



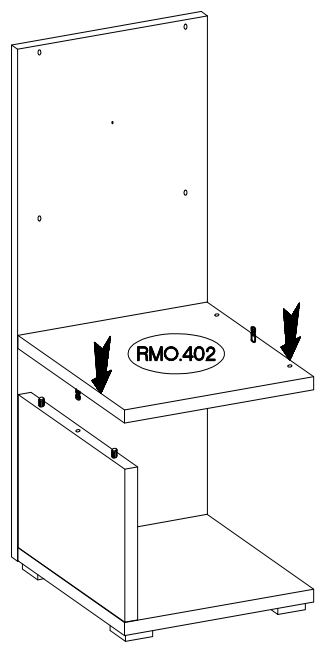
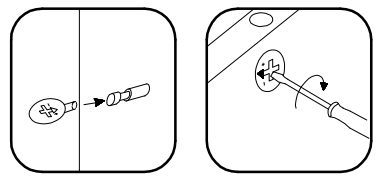
2



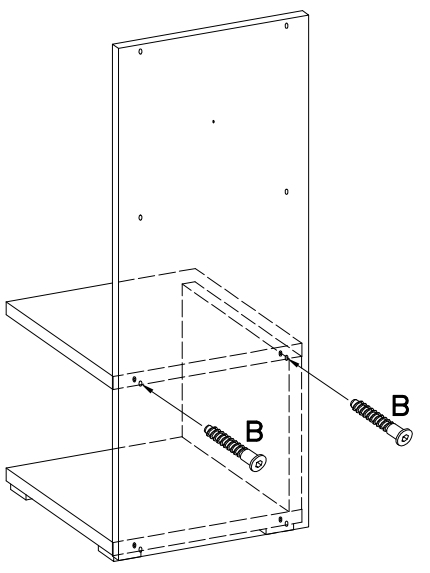
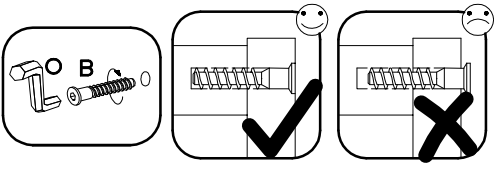
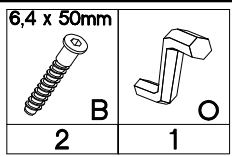
3



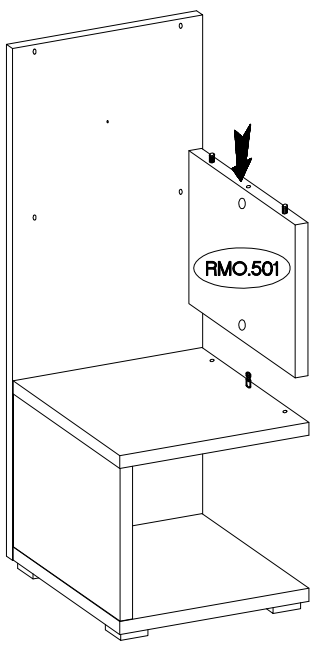
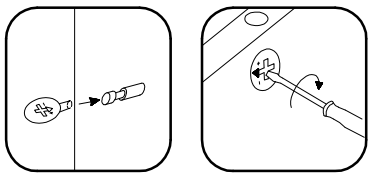
4



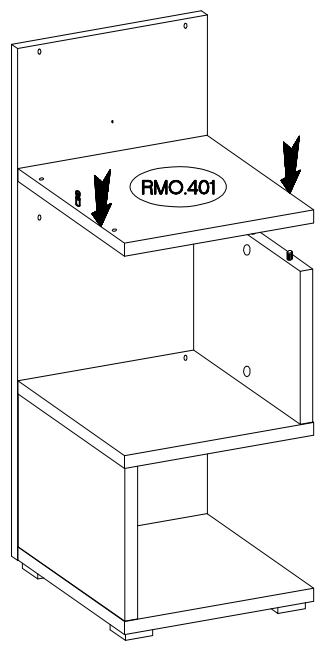
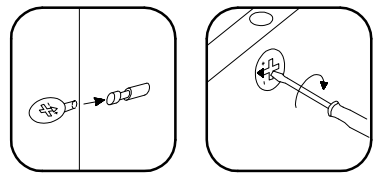
5



6

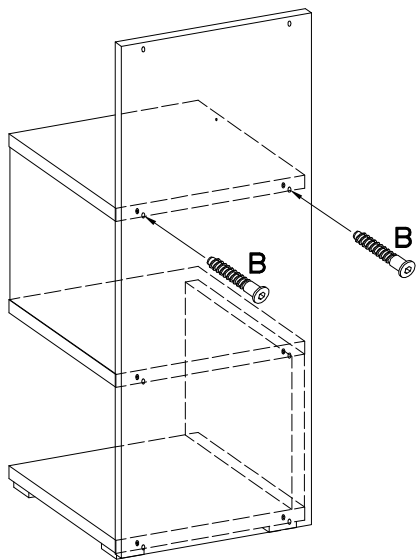
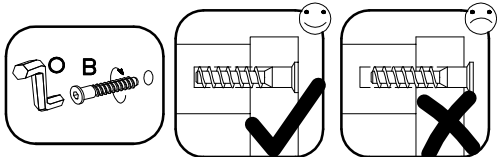
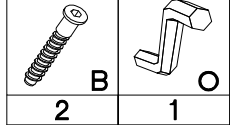


7

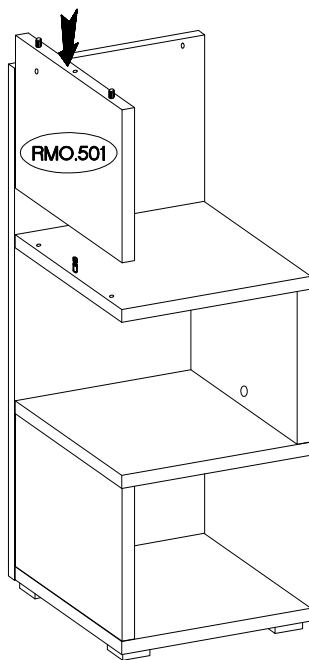
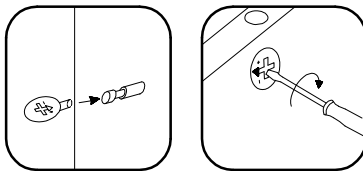


8

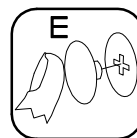
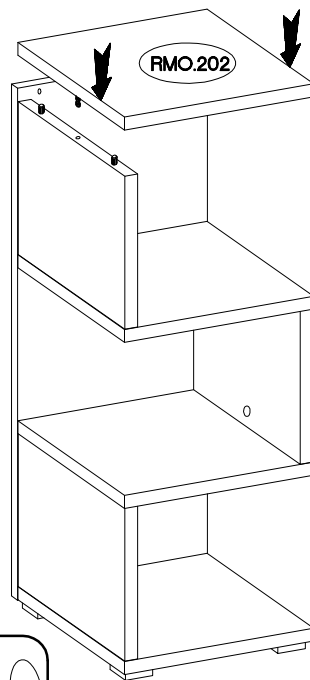
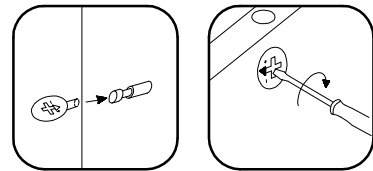
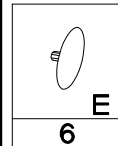
6,4 x 50mm



9

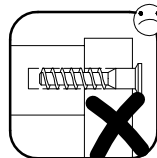
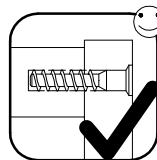
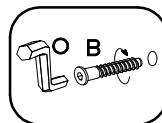
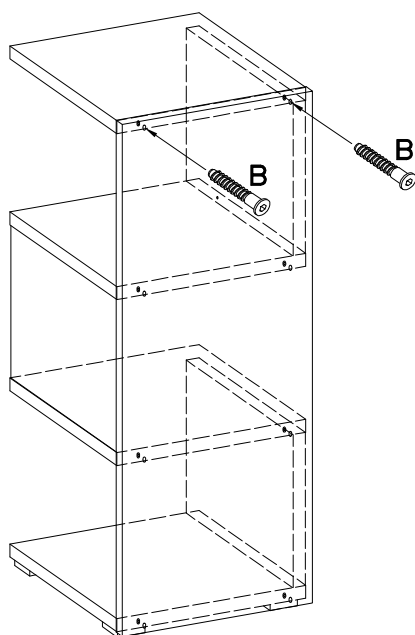
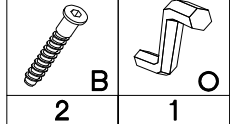


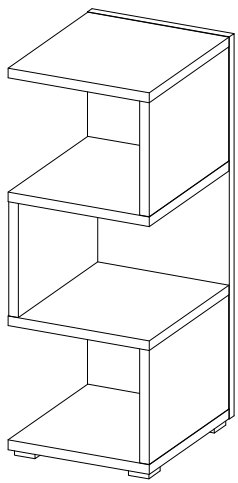
10



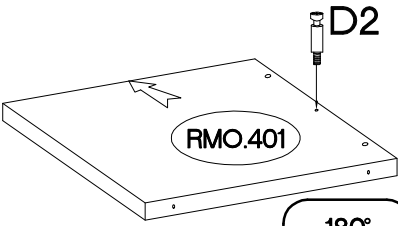
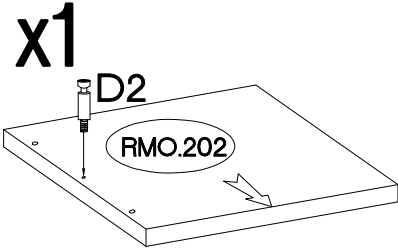
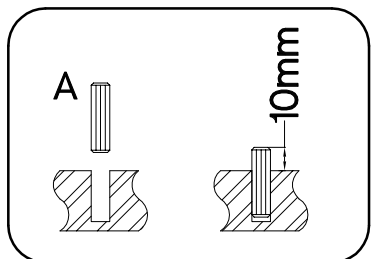
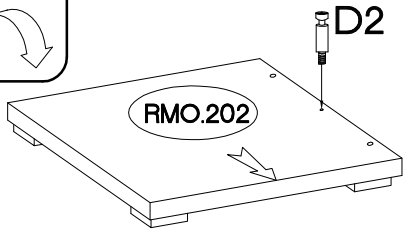
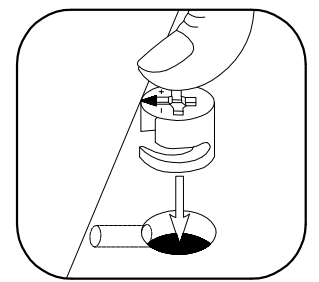
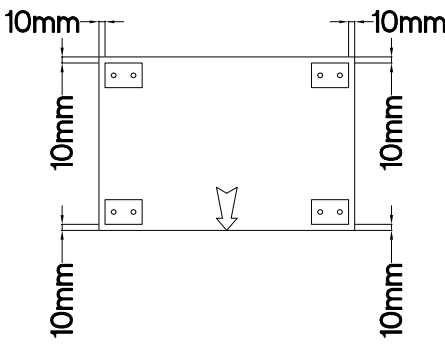
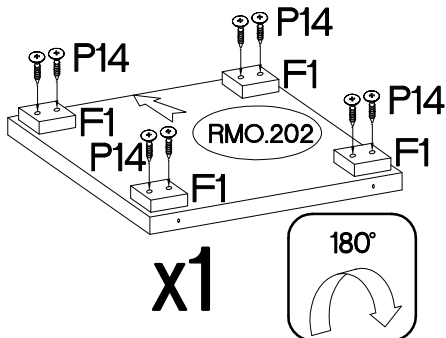
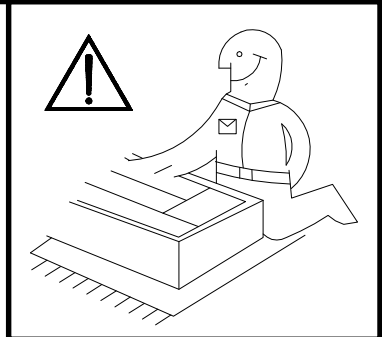
11

6,4 x 50mm

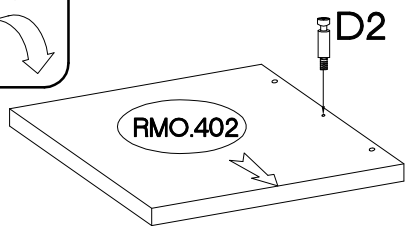




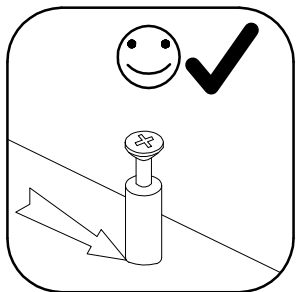
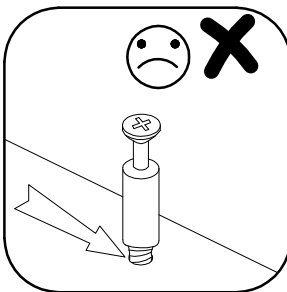
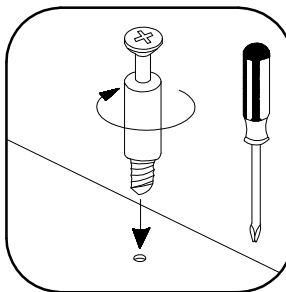
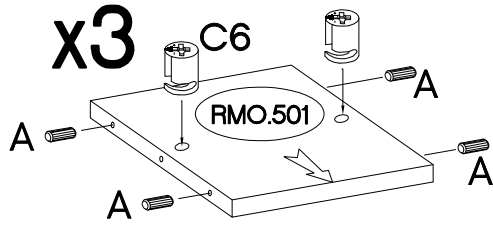
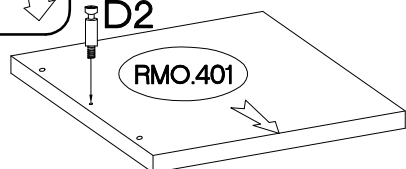
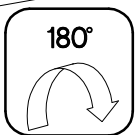
$\varnothing 8 \times 30 \text{mm}$  <b>A</b> 12	$\varnothing 15/18 \text{mm}$  <b>C6</b> 6	$L=20 \text{mm}$  <b>D2</b> 6	$60 \times 40 \times 20$  <b>F1</b> 4	$\varnothing 4.0 \times 25 \text{mm}$  <b>P14</b> 8
---	---	--	--	--

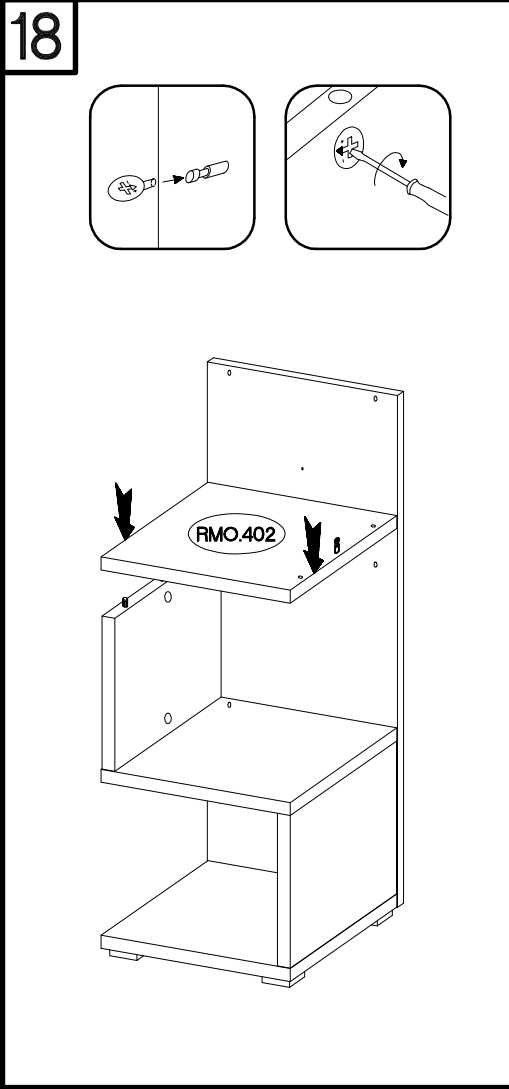
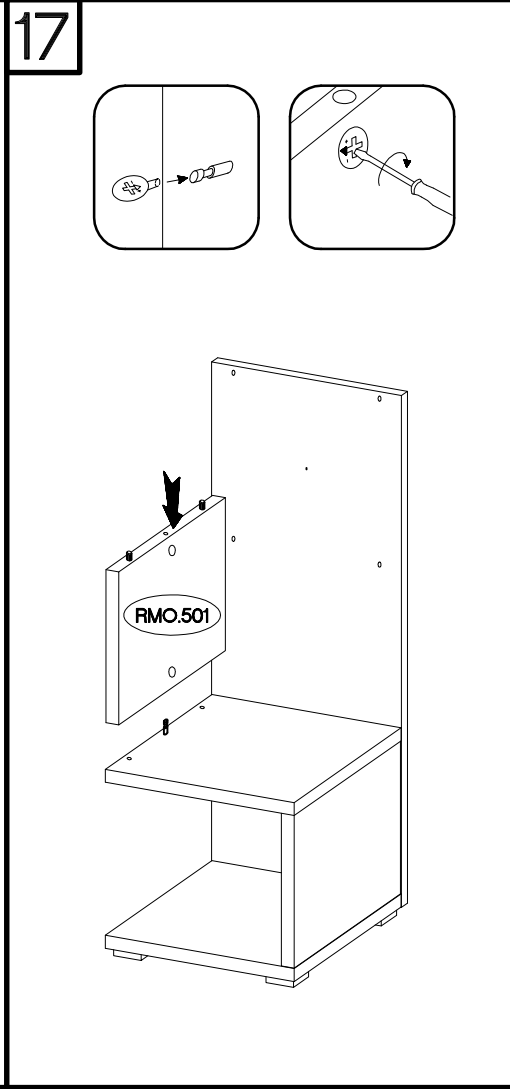
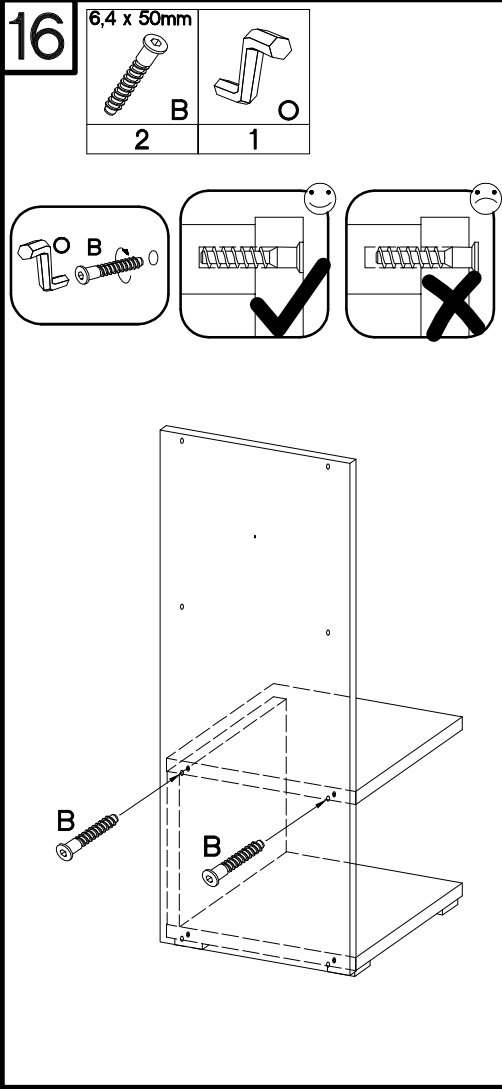
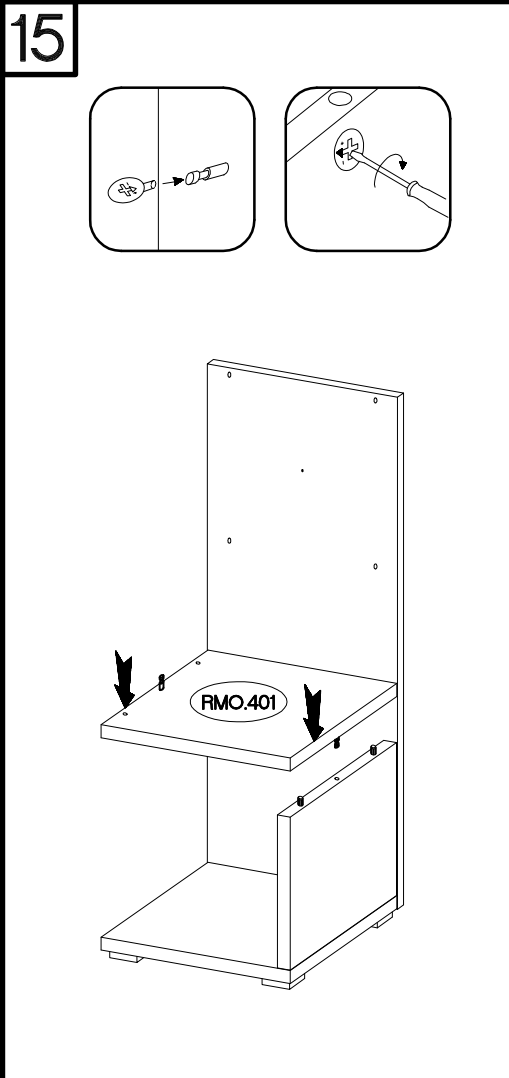
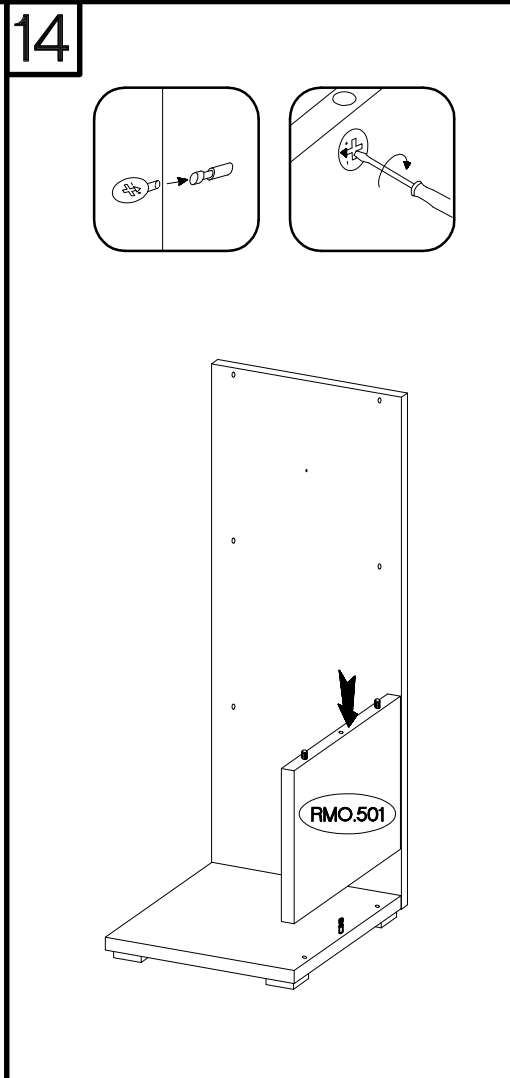
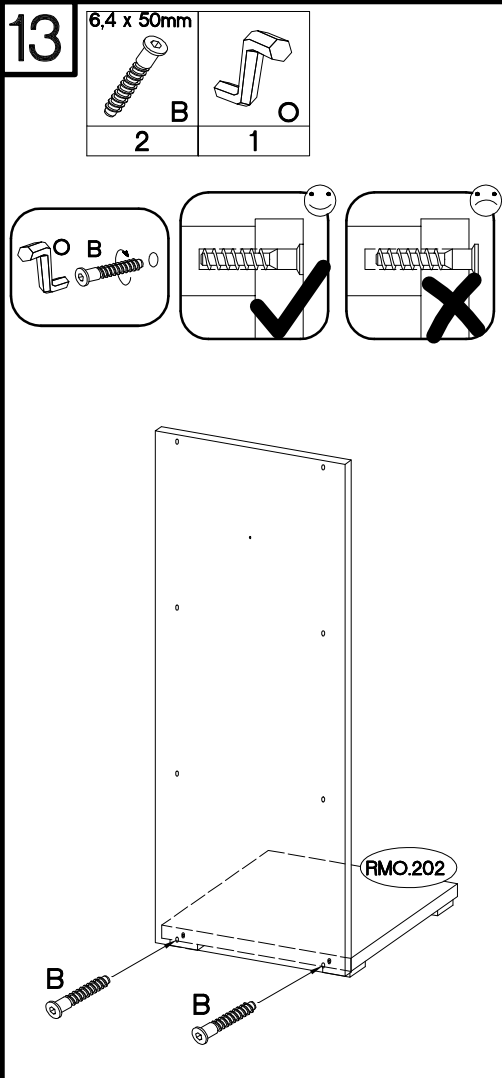


**x1**




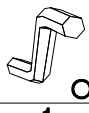
**x1**

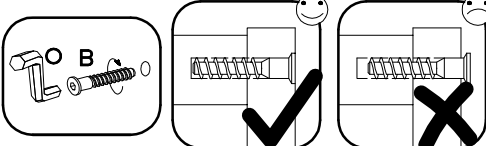
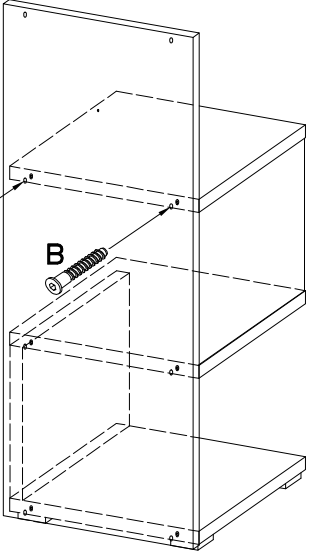




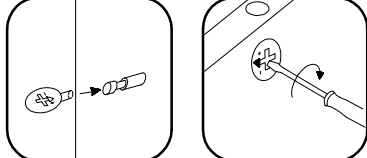
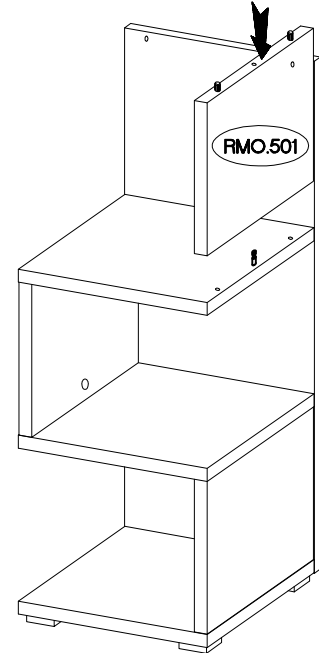


**19** 6,4 x 50mm

	
<b>B</b>	<b>O</b>
2	1







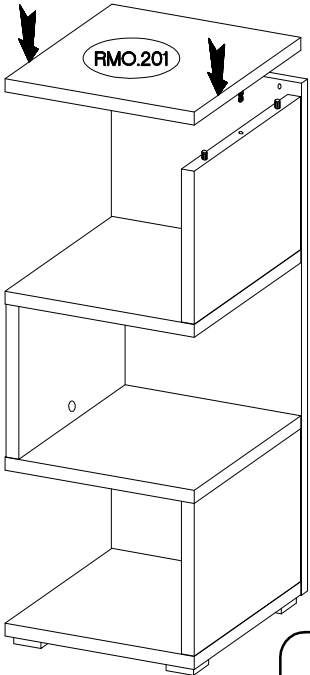
**20**

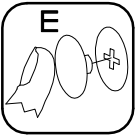
**RMO.501**

**21**

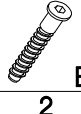
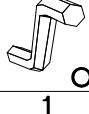
		
<b>E</b>	<b>B</b>	<b>B</b>
6		

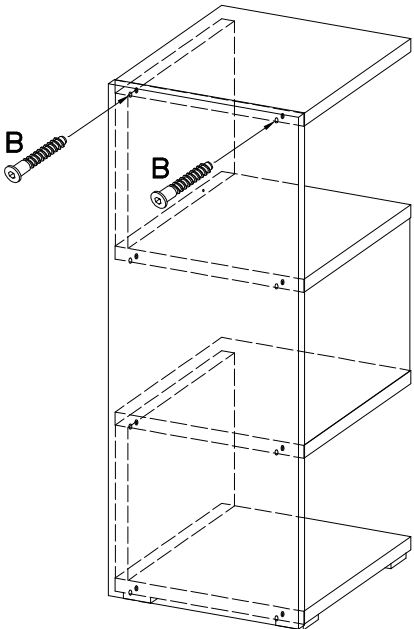
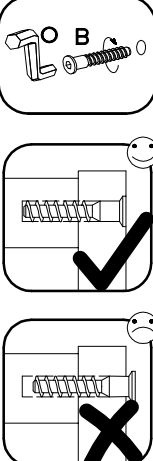


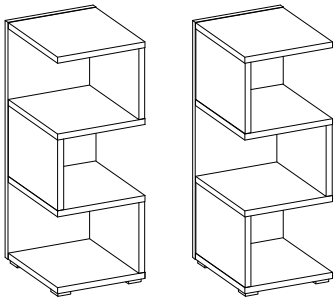
**RMO.201**



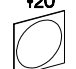


**22** 6,4 x 50mm

	
<b>B</b>	<b>O</b>
2	1



 $\varnothing 10 \times 50 \text{mm}$	 $\varnothing 5.0 \times 70 \text{mm}$	 $\varnothing 20$
O7	P29	E11
1	1	1

