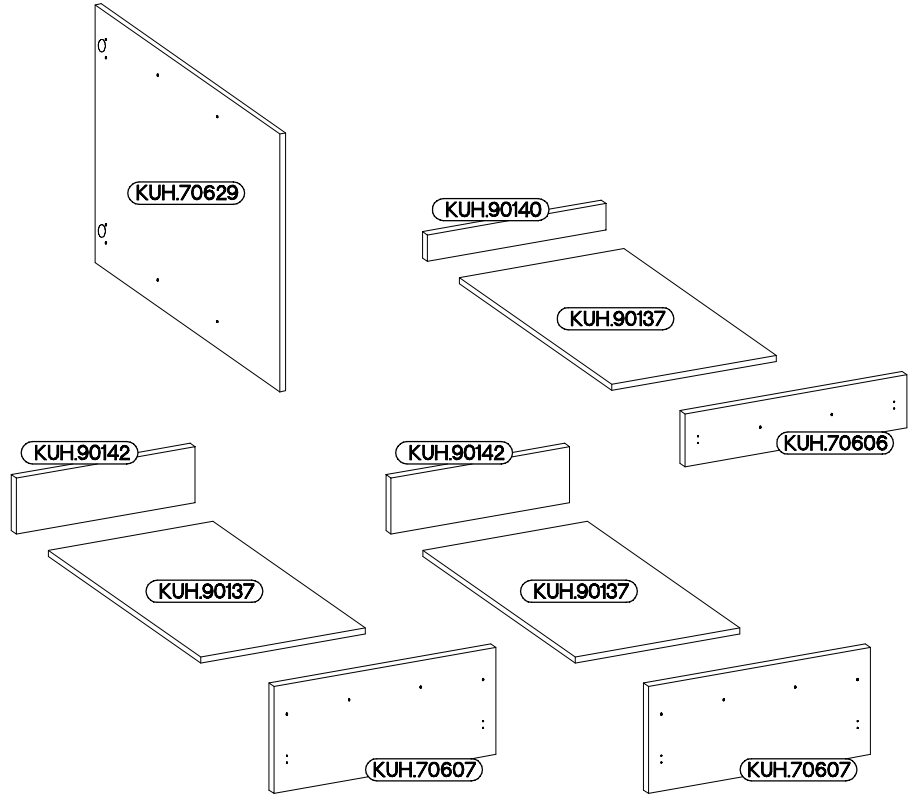
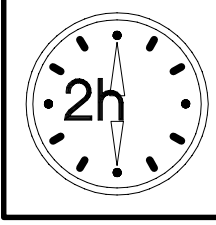
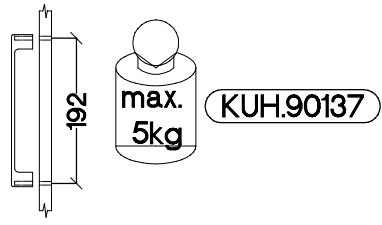
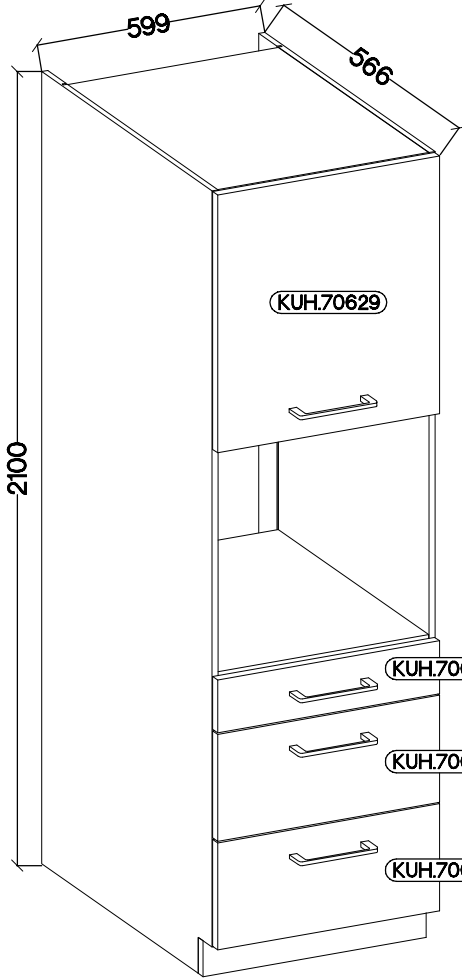
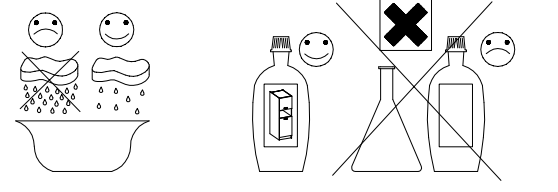
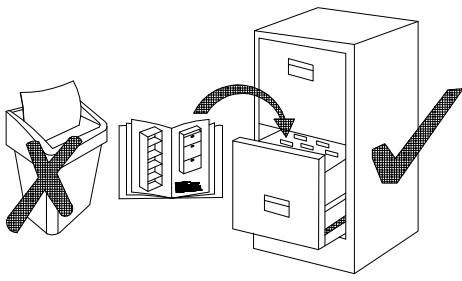


60 DPS-2100 1F 3S

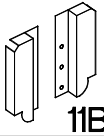
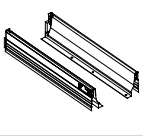

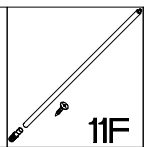






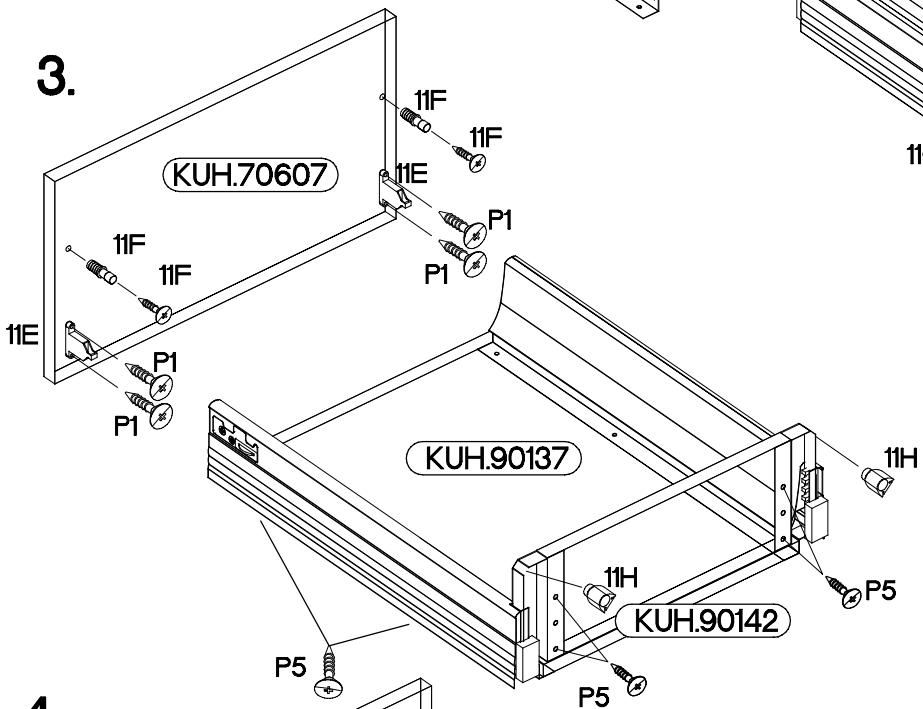
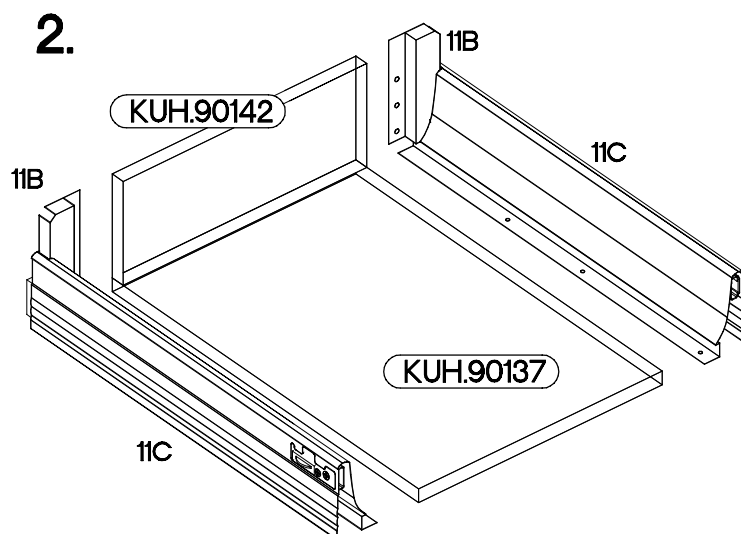
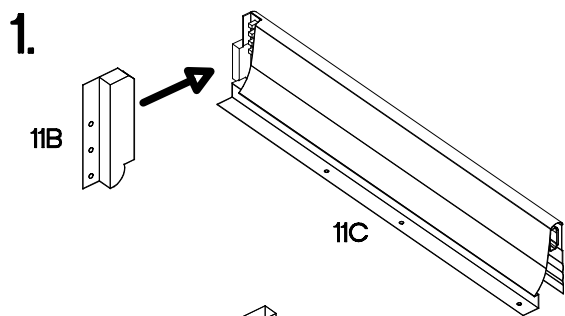
3	2	3	1	6	4	6
4	2	12	24	28	4	2



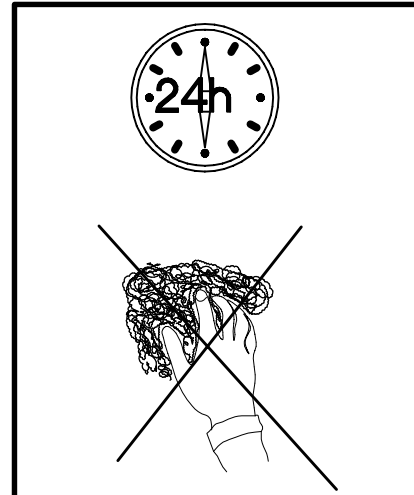
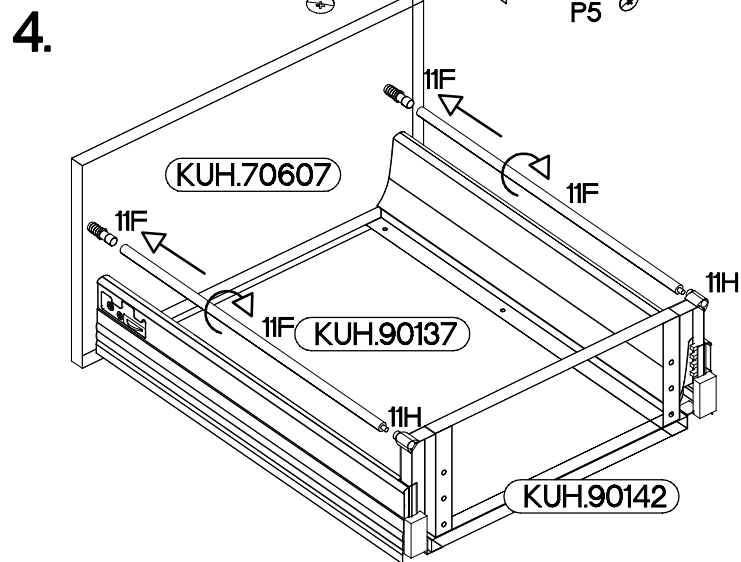
ISM-KUH-00971

1

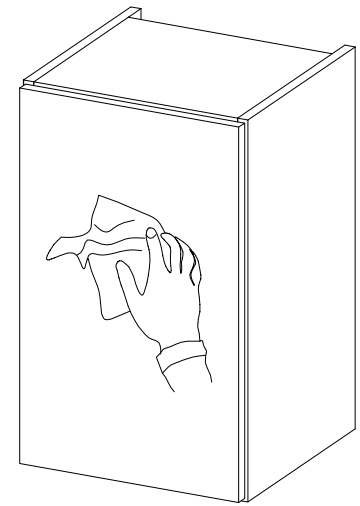
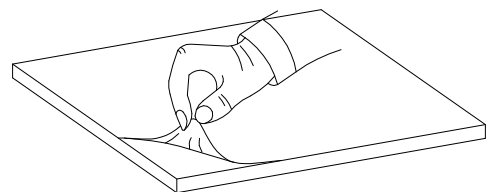
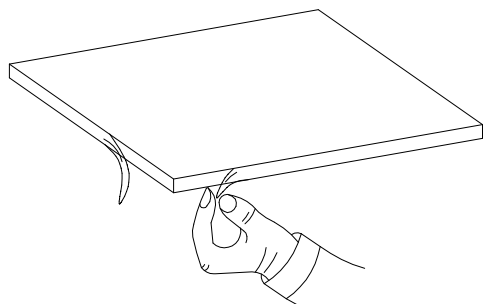
					$\pm 4.0 \times 16 \text{mm}$ 	$\pm 3.5 \times 13 \text{mm}$ 	
2	2	4	4	4	8	16	4



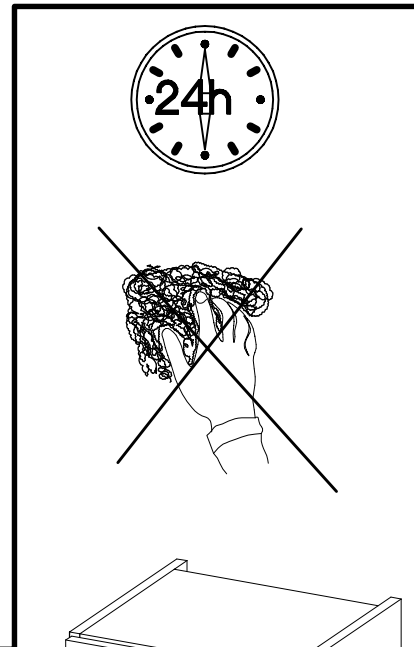
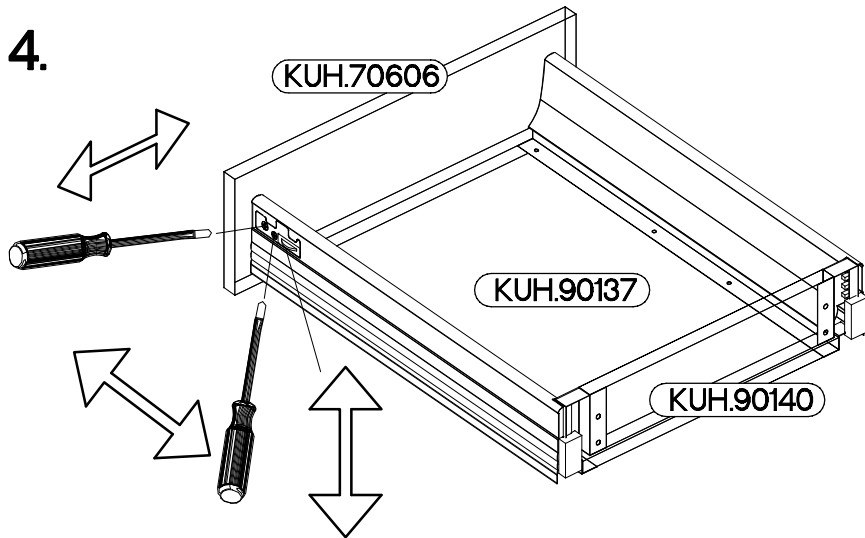
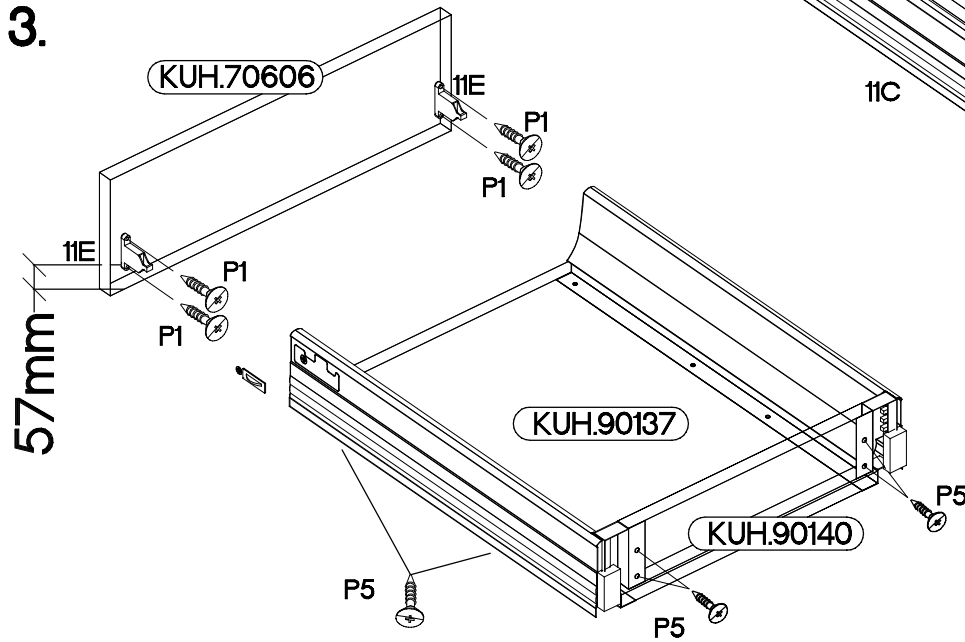
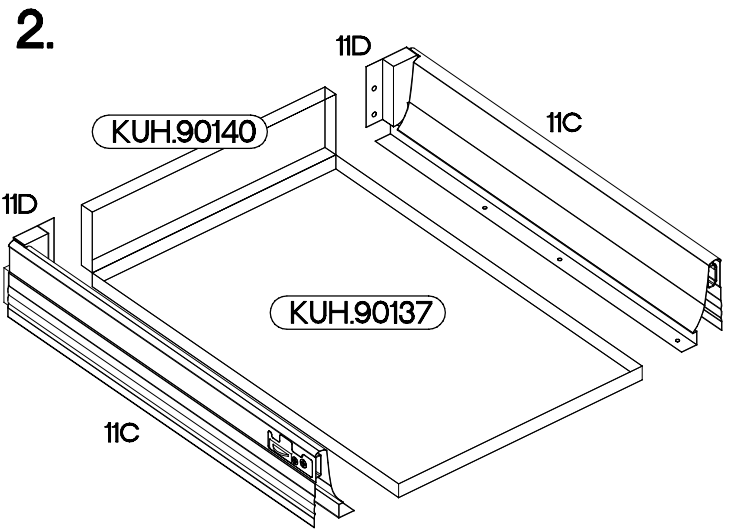
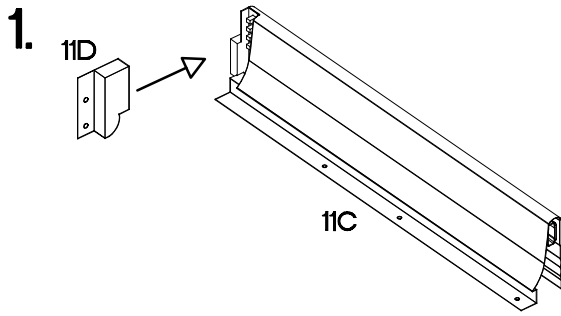
x2



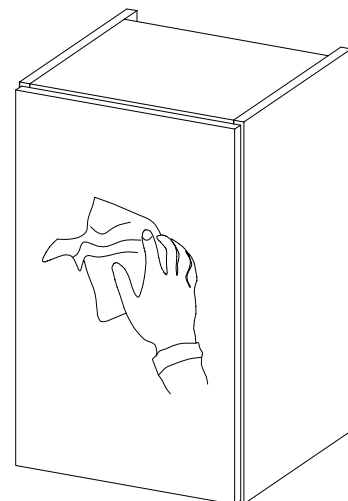
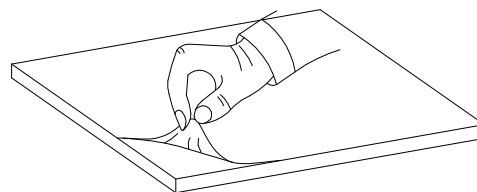
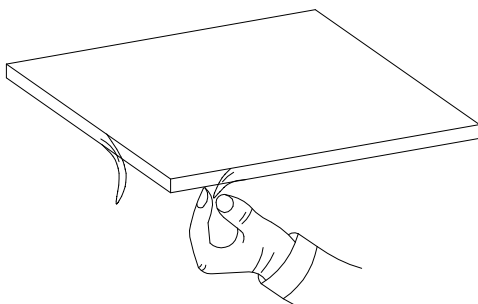
VARIANT HIGH GLOSS

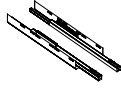


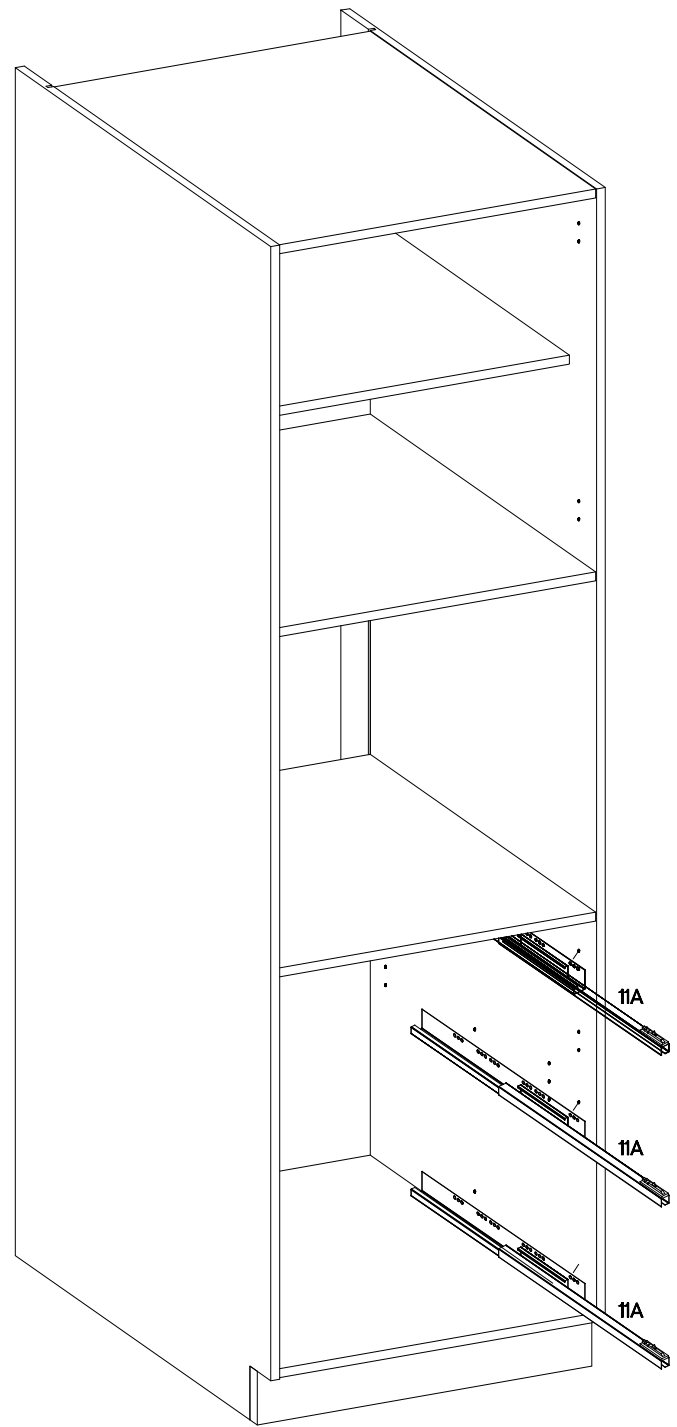
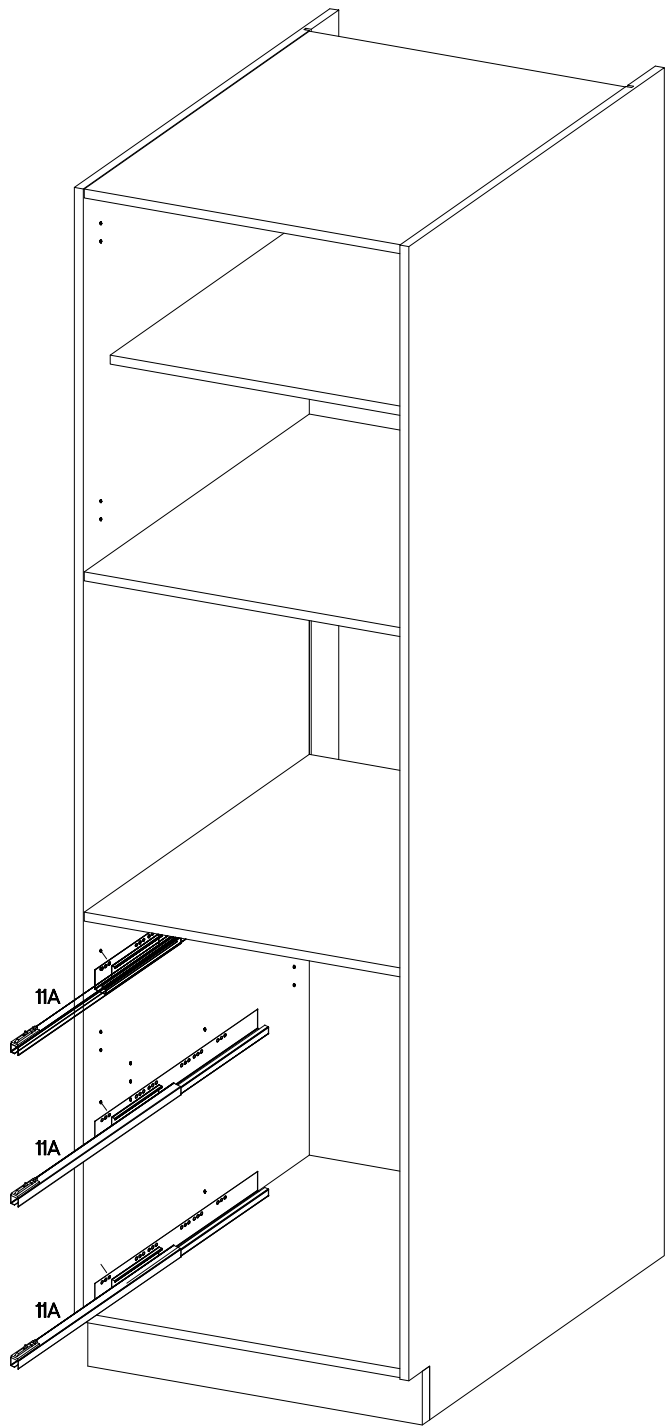
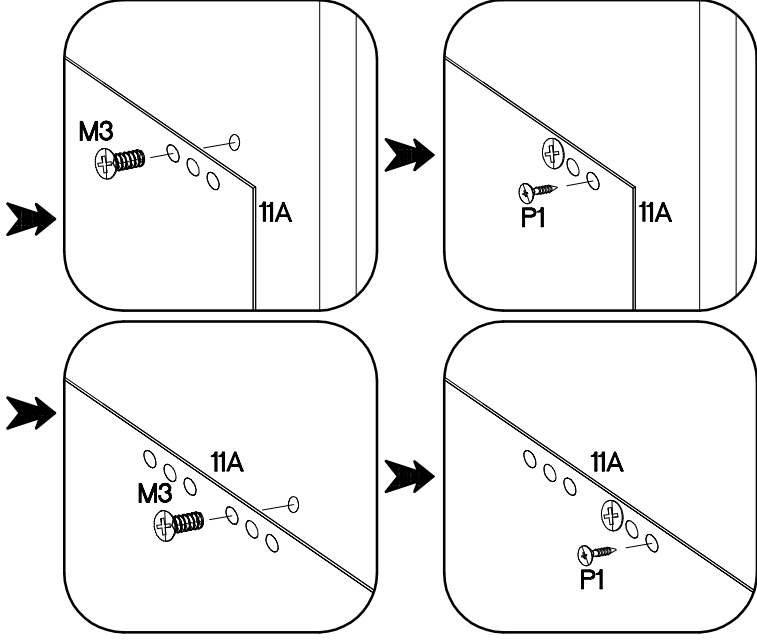
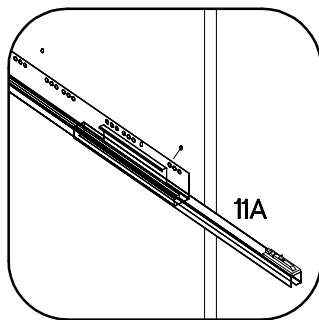
11D	11C	11E	P1	P5	11G
1	1	2	4	8	2




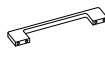
VARIANT HIGH GLOSS

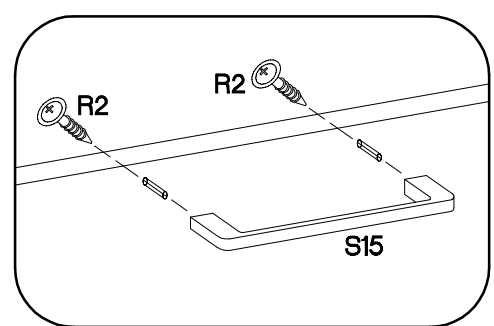
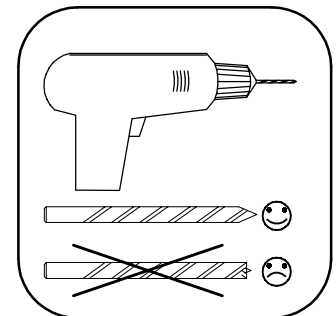
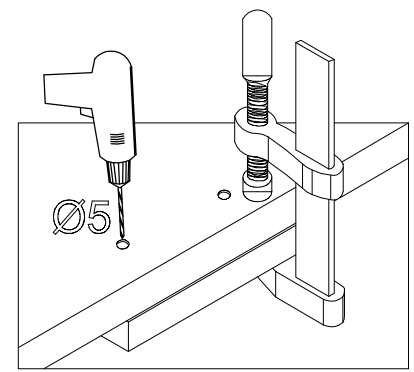
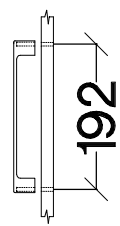
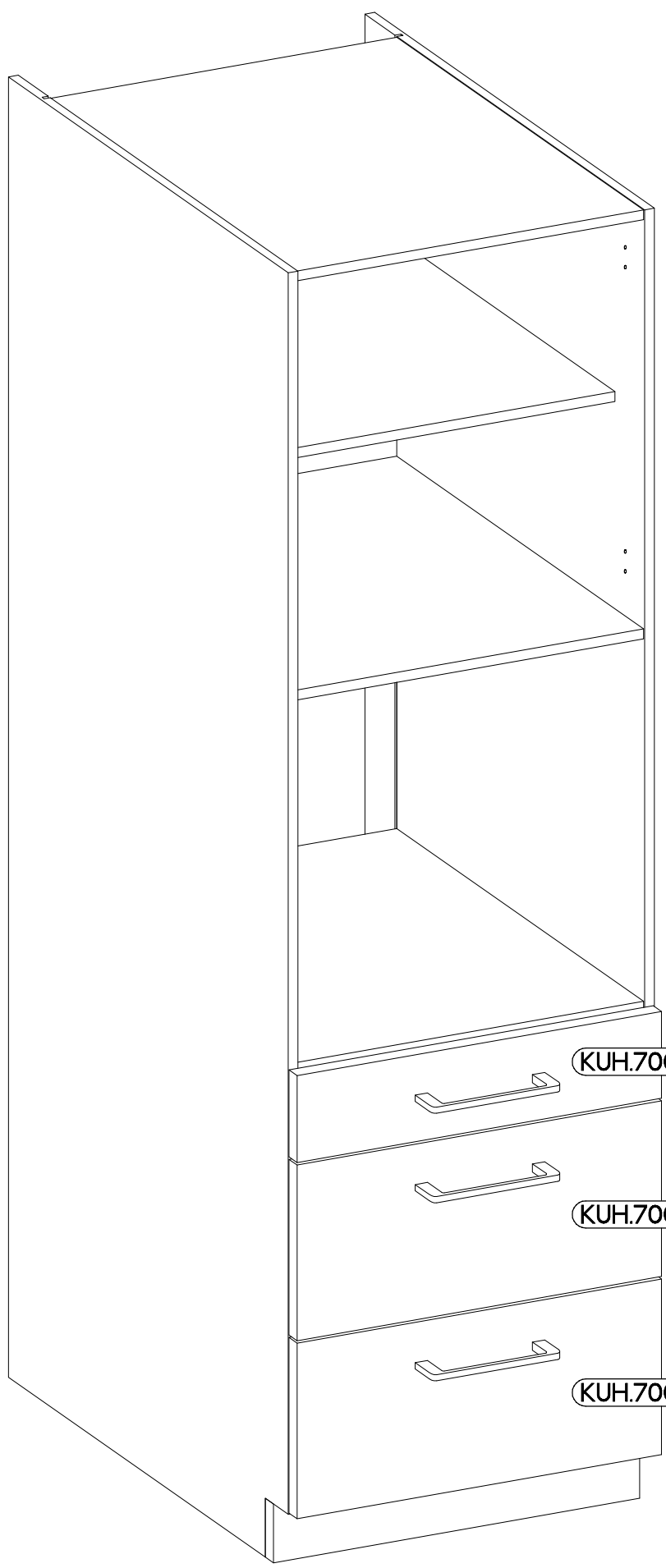


	+6.3x13mm	+4.0x16mm
11A	M3	P1
3	12	12

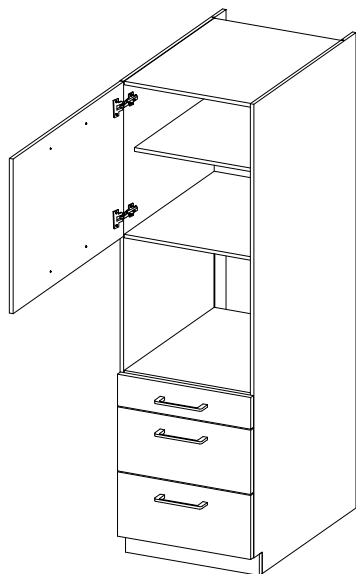


4

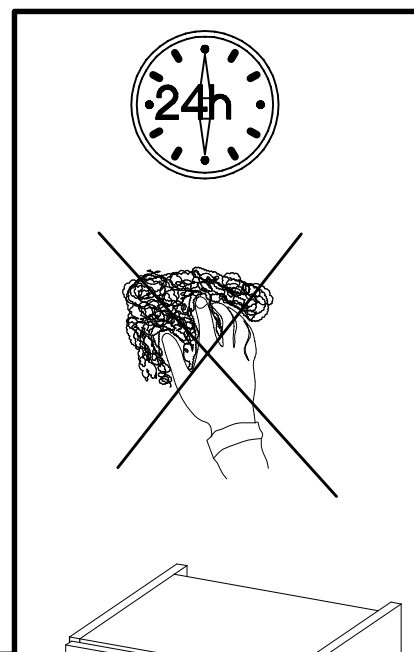
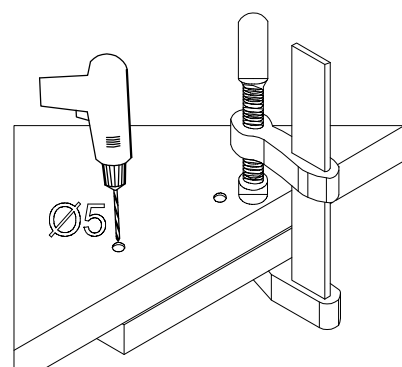
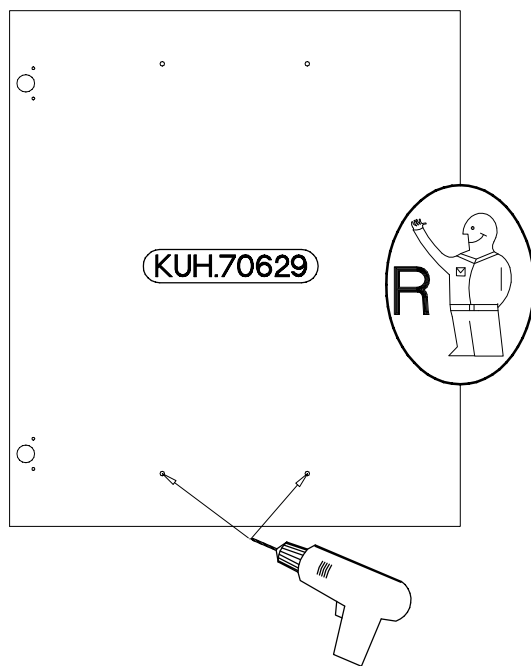
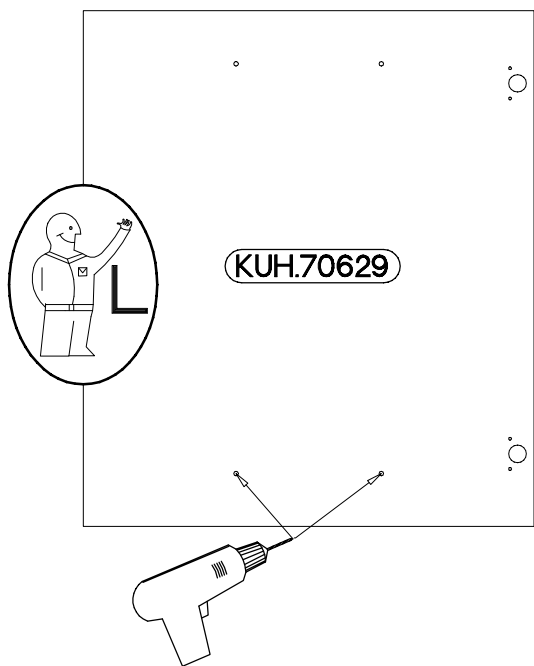
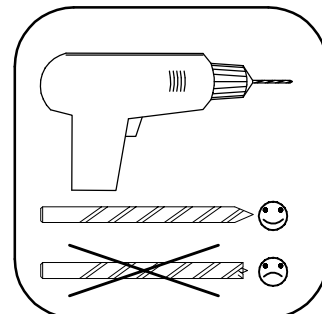
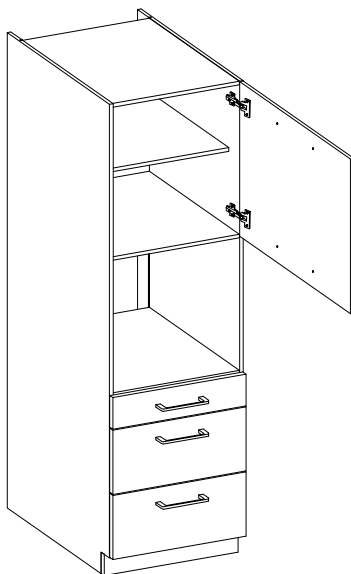
+4.0x30mm	
	
R2	S15
6	3



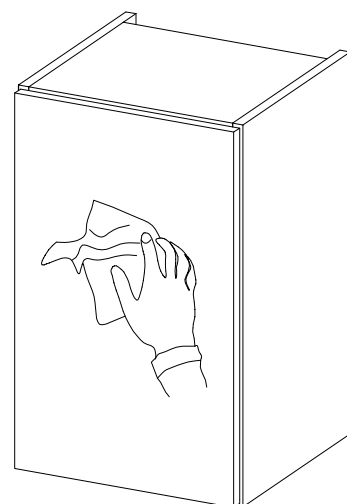
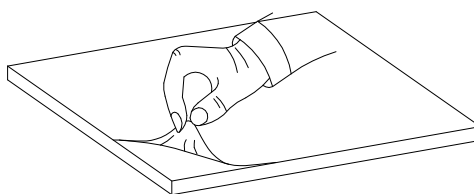
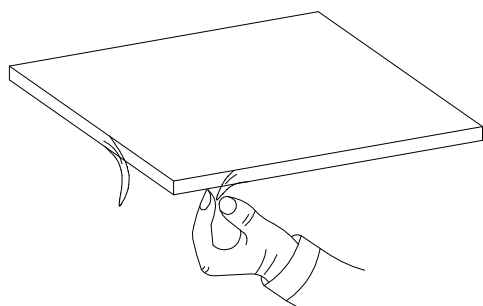
LEFT



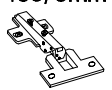

RIGHT

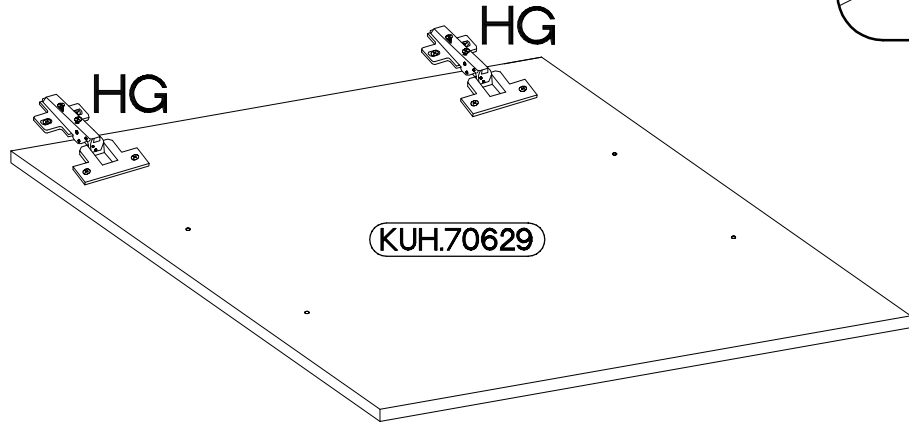
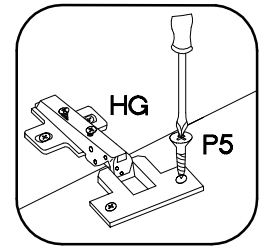
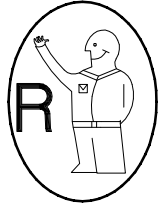


VARIANT HIGH GLOSS

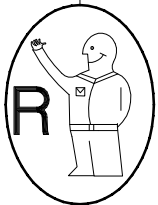
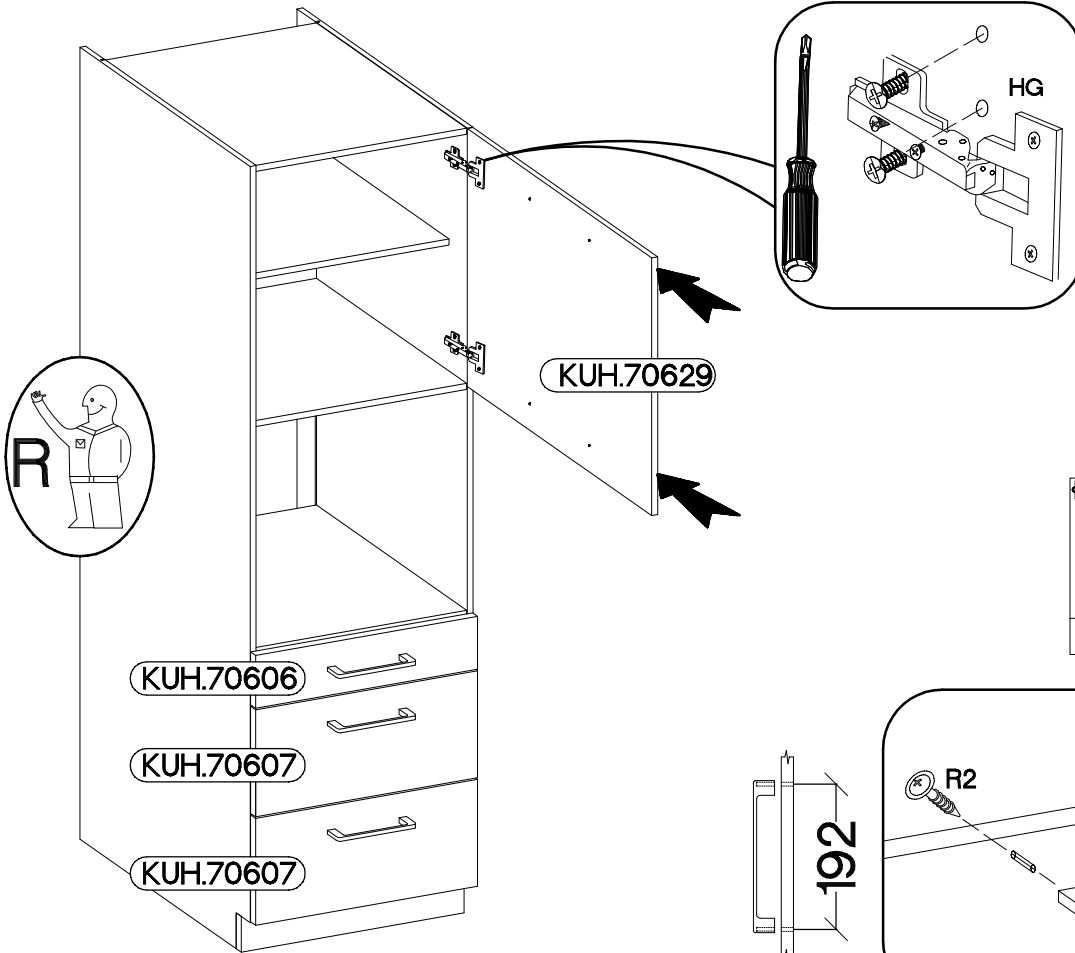




6

±35/0mm  HG 2	±3.5x13mm  P5 4
--	--



7



±4.0x30mm  R2 2	 S15 1
---	---

