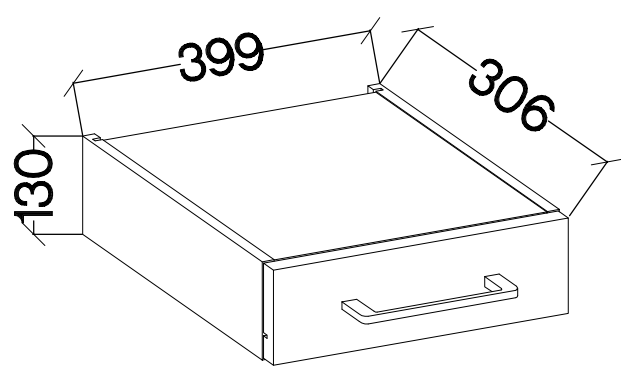
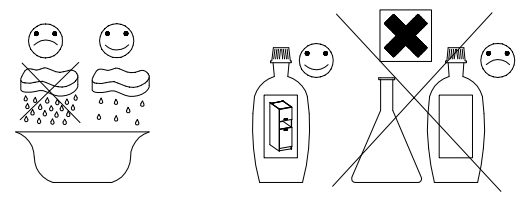
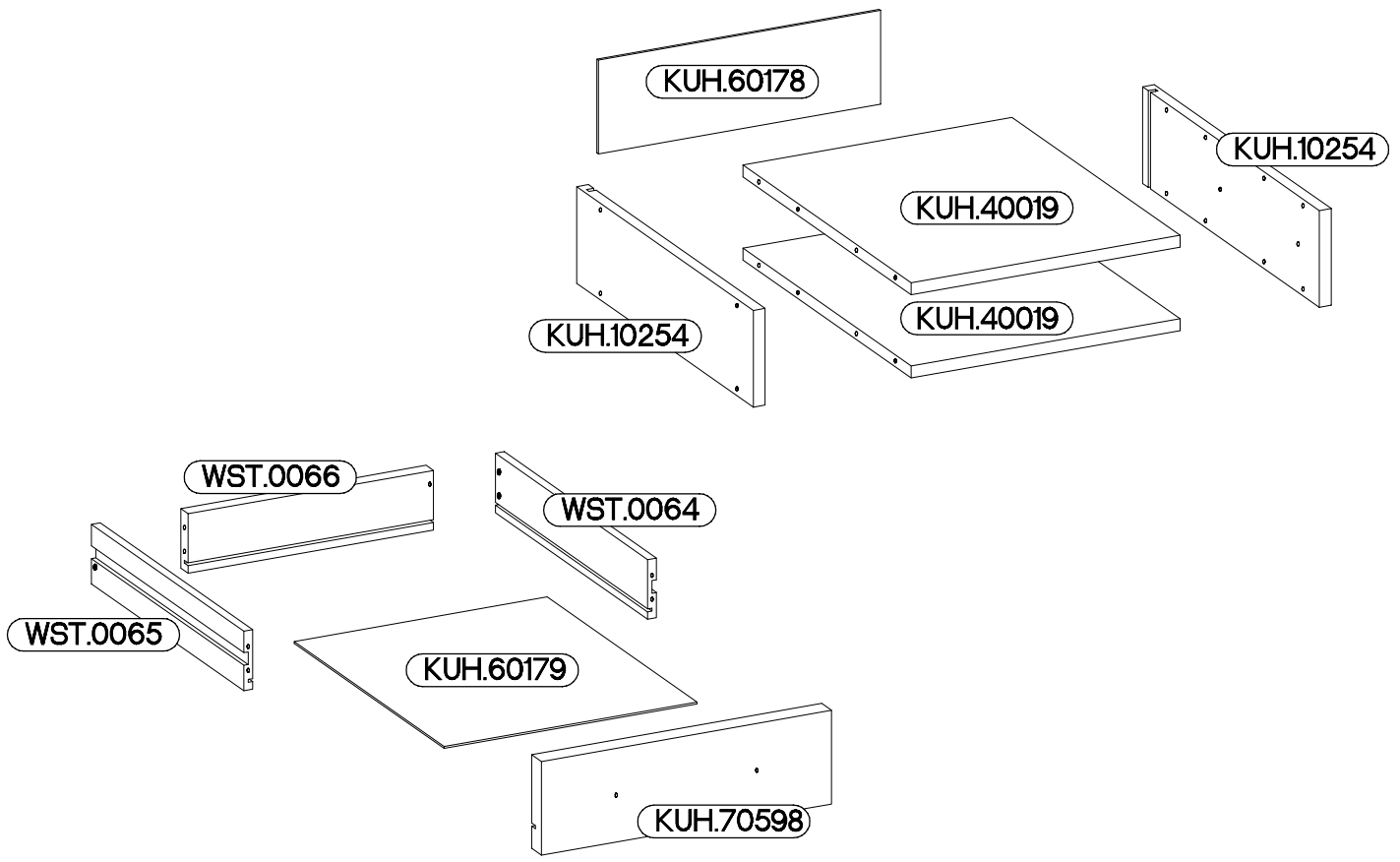


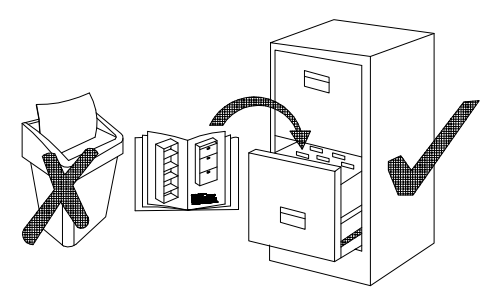
40 G-13 1K



KUH.60179





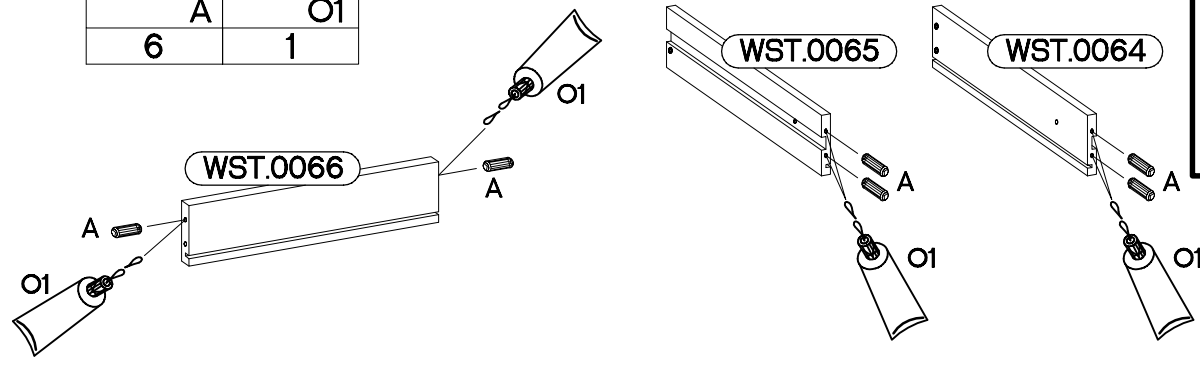
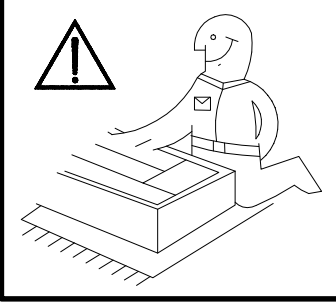
+8x30mm  A 14	6,4 x 50mm  B 8	+6x42mm  B2 2	 E1 8	17/246mm  I 1	+5.0x13mm  M 4
 M1 2	 O 1	 O1 1	+3.0x20mm  P7 8-10	+4.0x30mm  R2 2	M4x9mm  S15 1
					 U1 2





ISM-KUH-00962

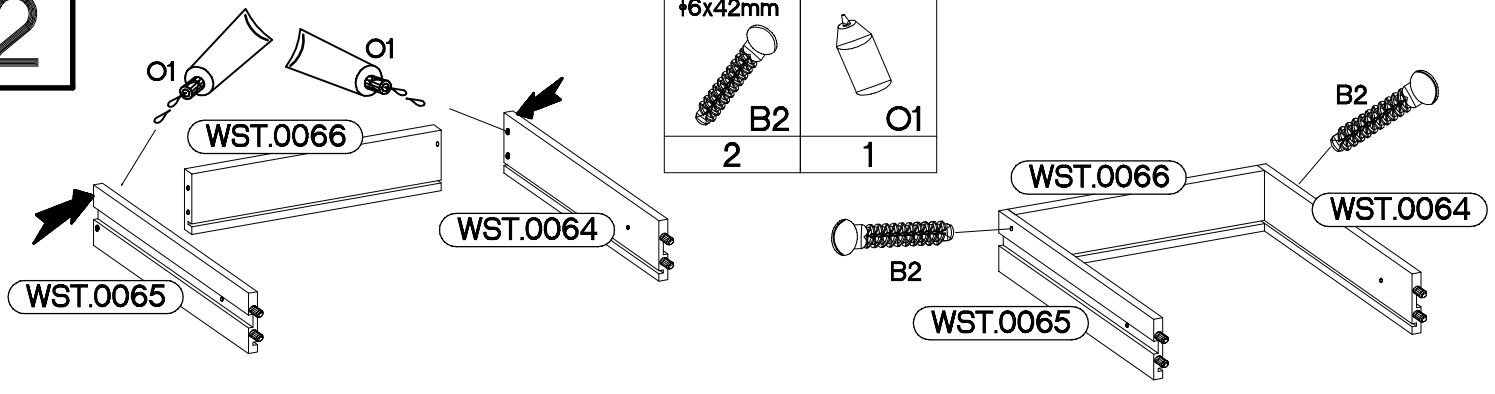
1

$\pm 8 \times 30 \text{mm}$  A 6	 O1 1
---	---

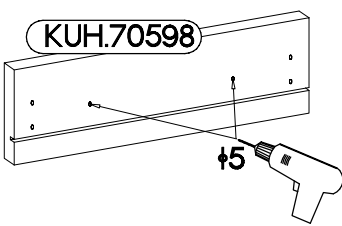



2

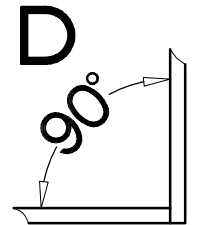
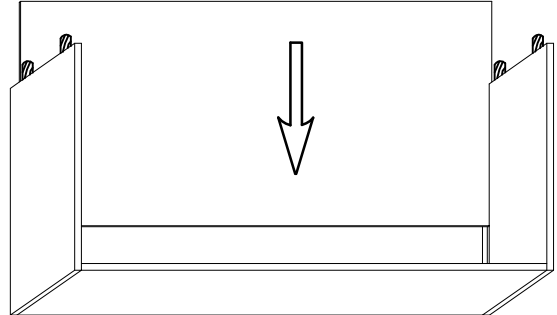
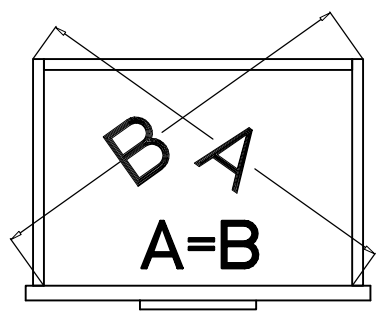
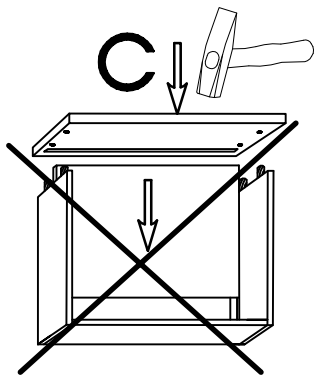
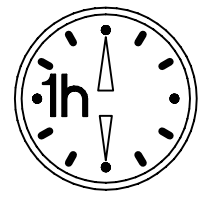
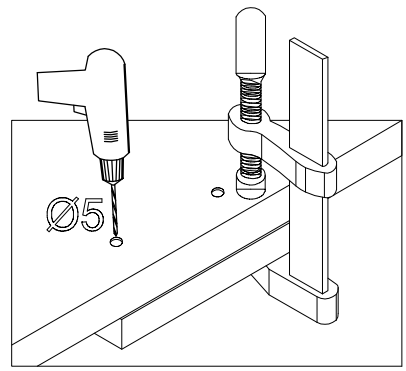
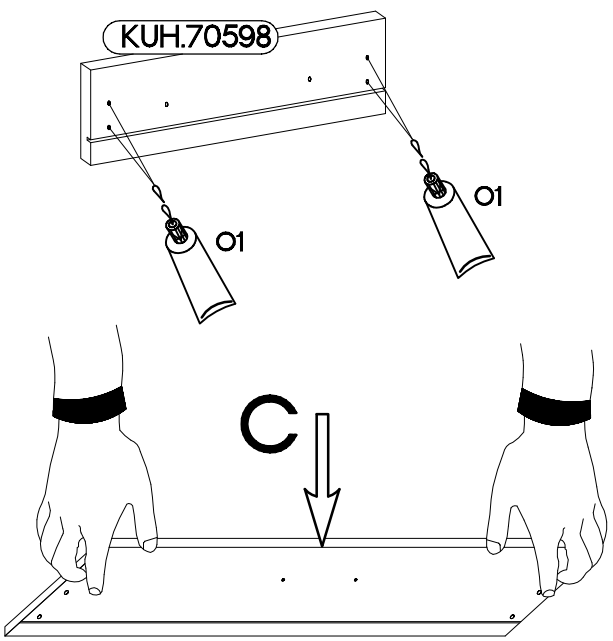
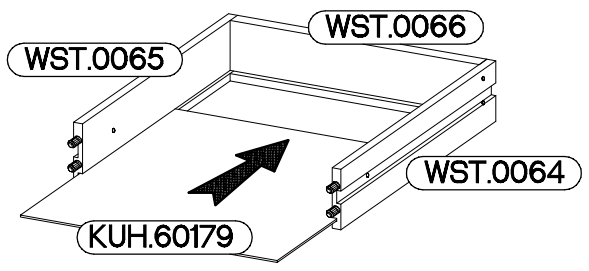
$\pm 6 \times 42 \text{mm}$  B2 2	 O1 1
---	--



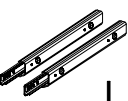

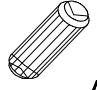
3

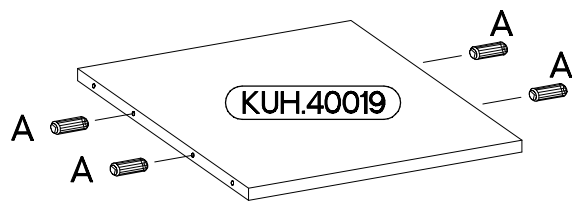
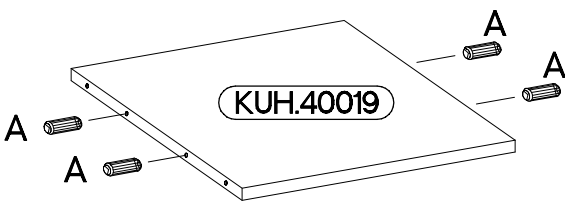
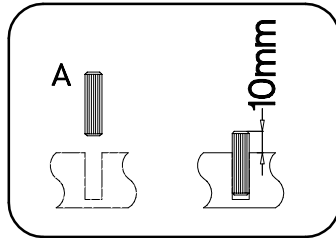
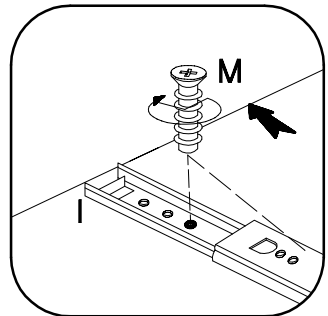
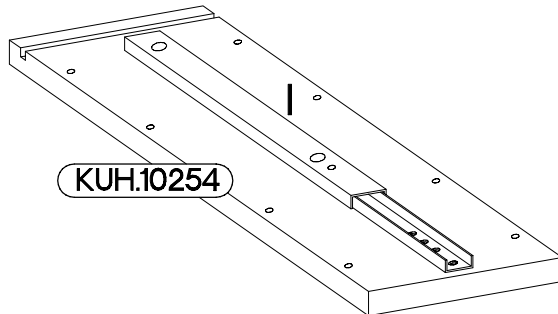
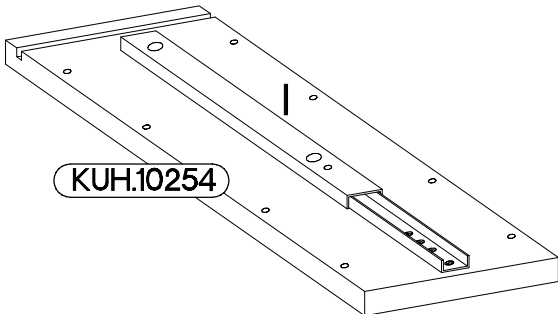
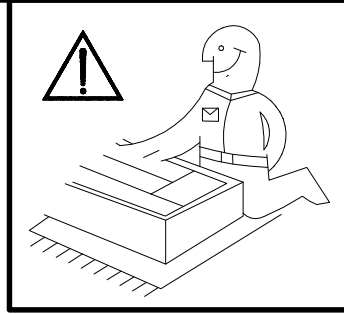


 O1 1
--


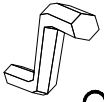



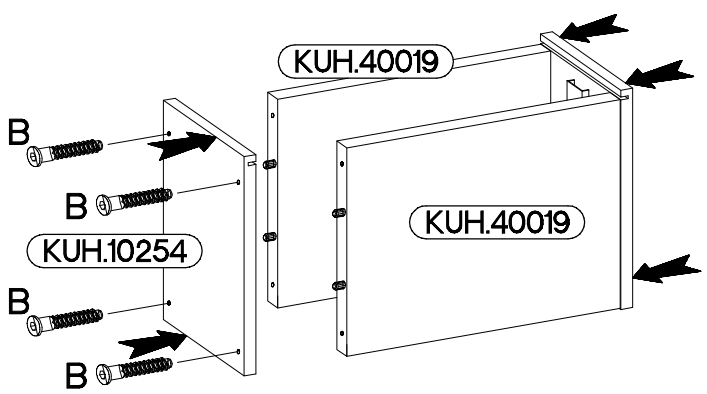
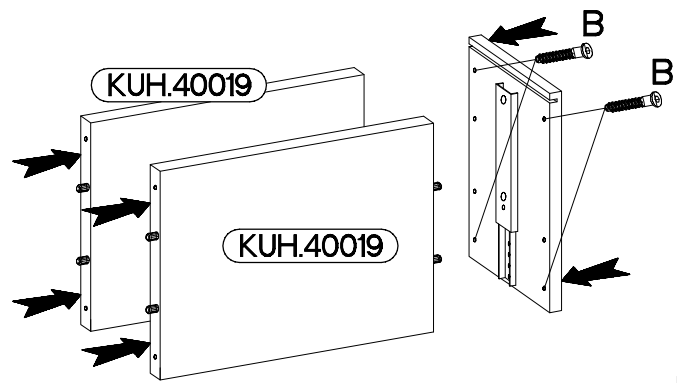
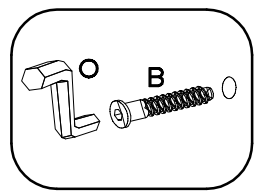
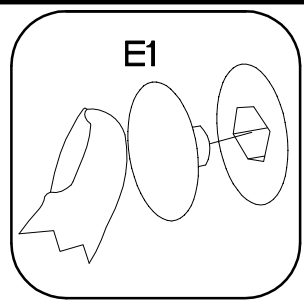
# 4

17/246mm  I 1	+5.0x13mm  M 4	+8x30mm  A 8
--	---	---



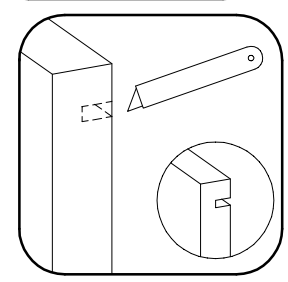
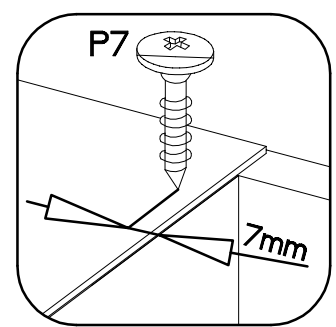
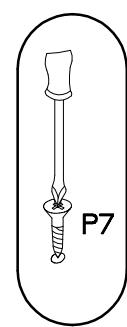
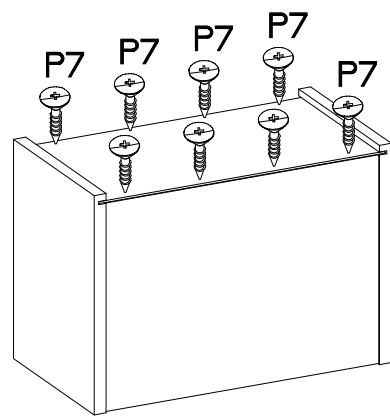
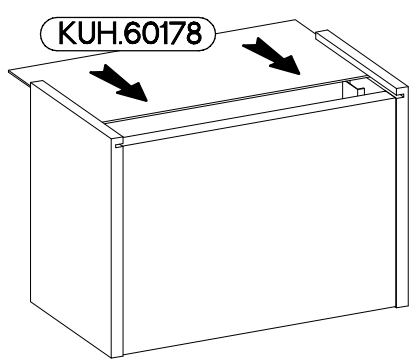
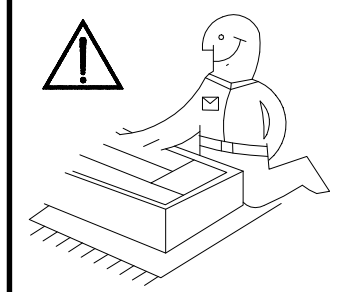
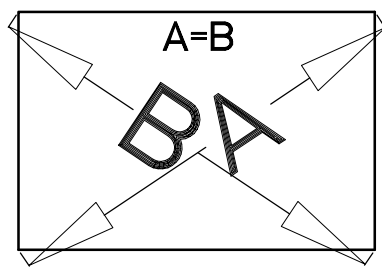
# 5

6,4 x 50mm  B 8	 O 1	 E1 8
---	---	--



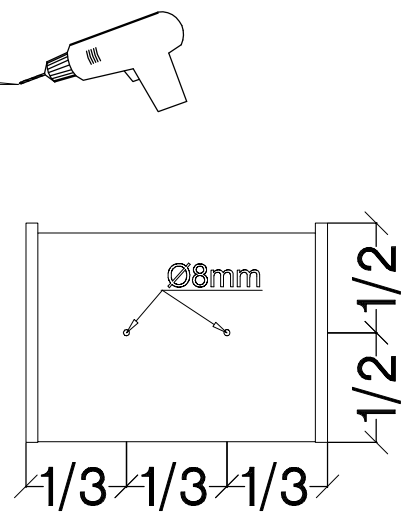
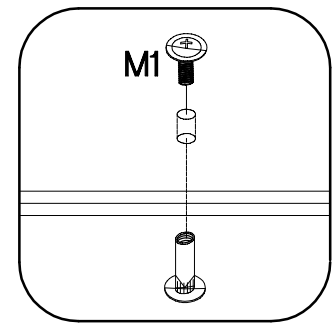
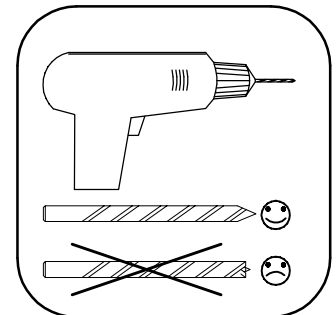
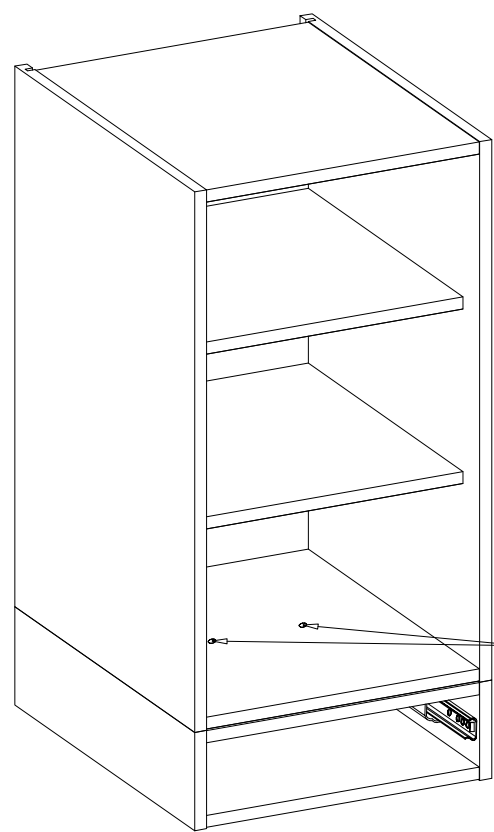
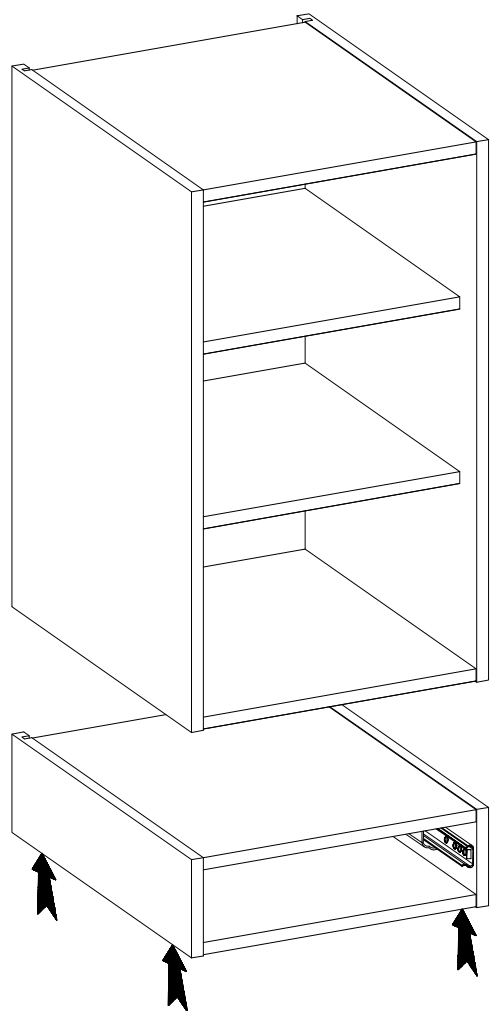
6

3.0x20mm  
P7  
8-10



7

M1  
2



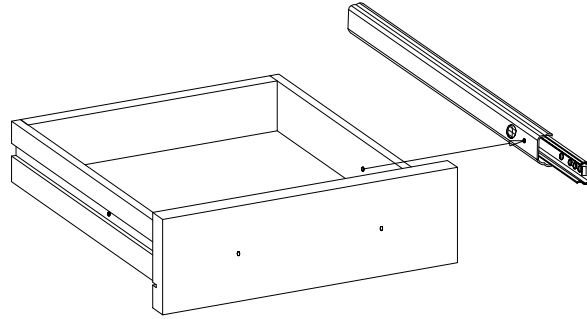
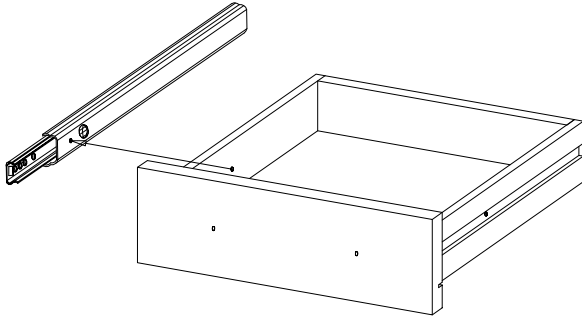
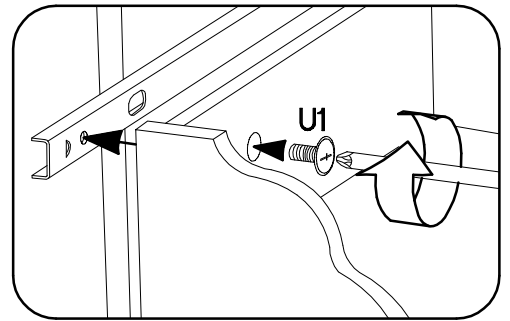
8

M4x9mm



U1

2



9

†4.0x30mm



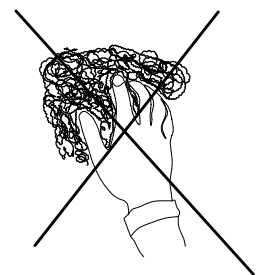
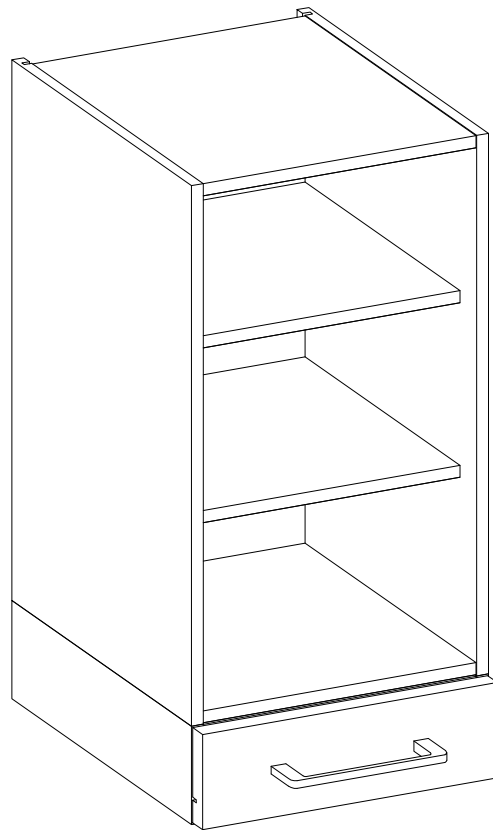
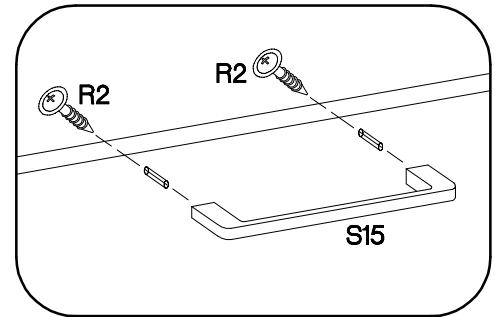
R2

2



S15

1



VARIANT HIGH GLOSS

