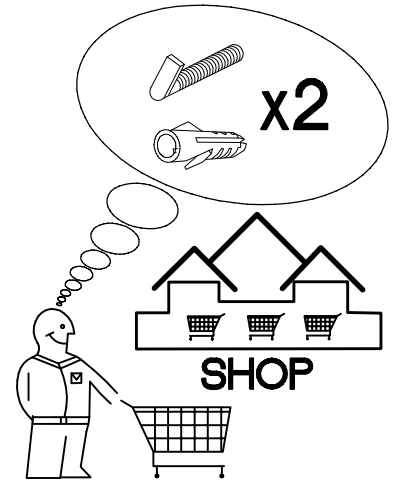
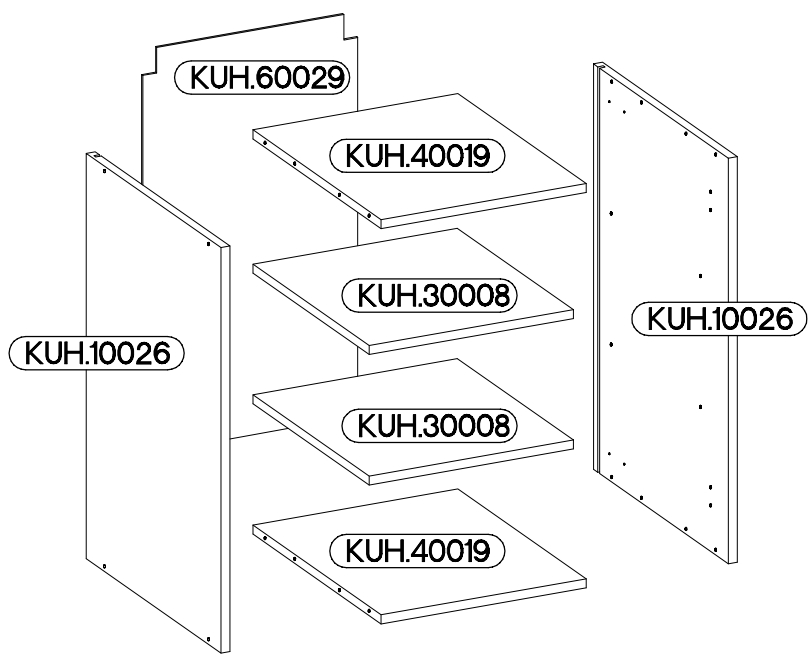
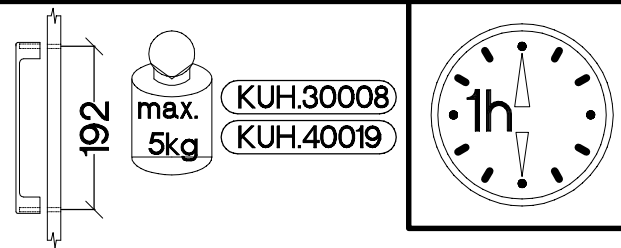
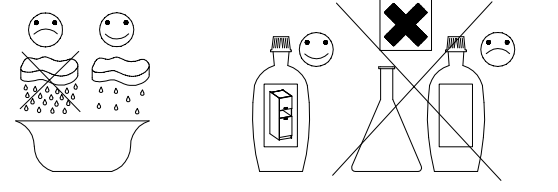
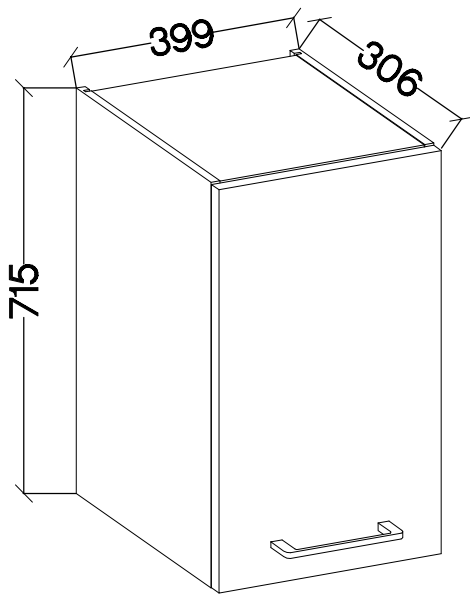
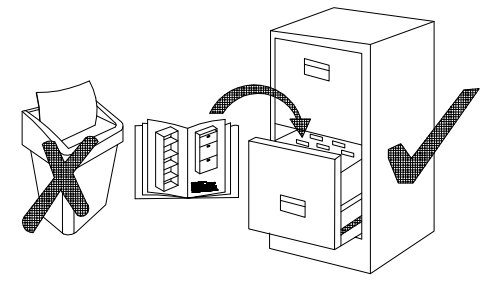


40 G-72 1F

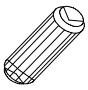

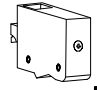


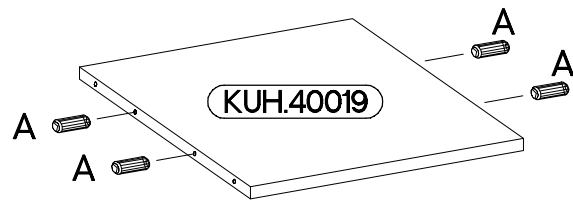
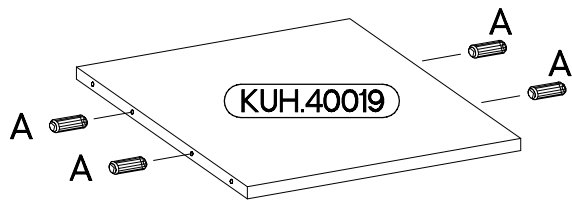
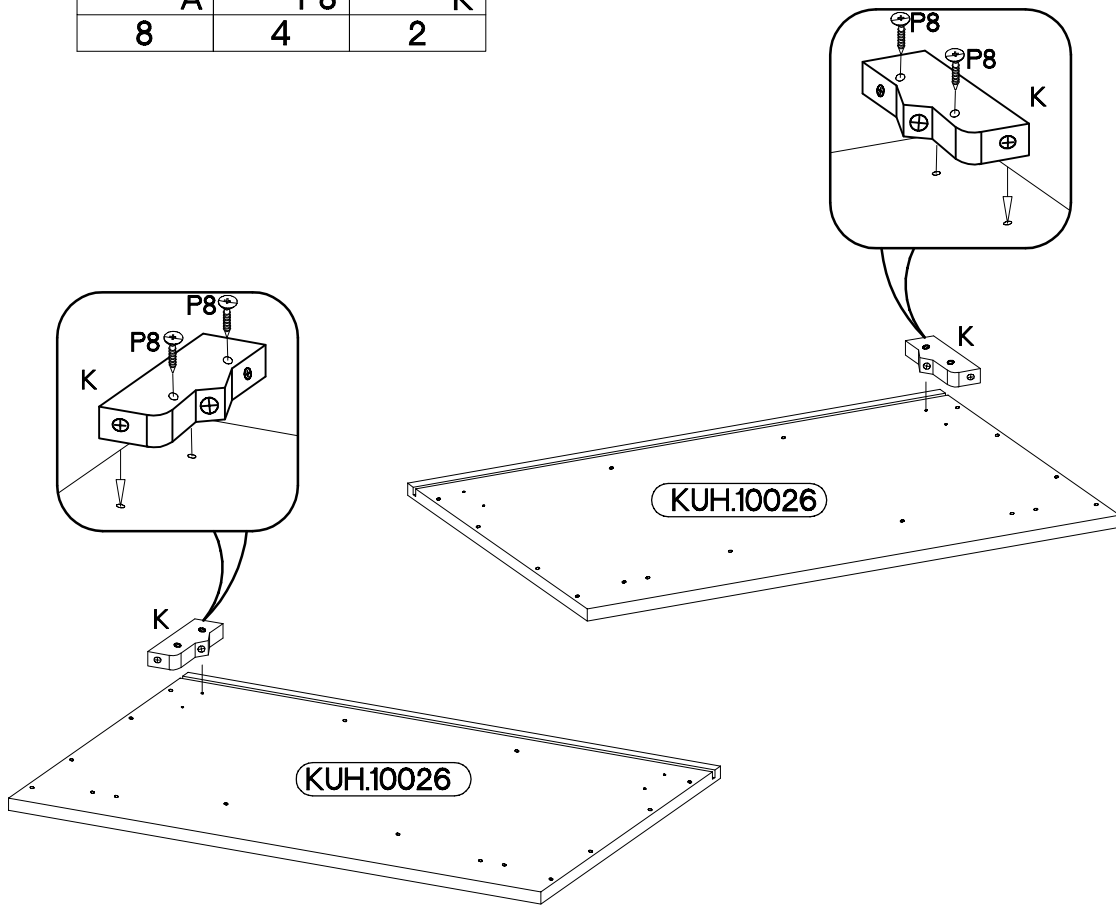
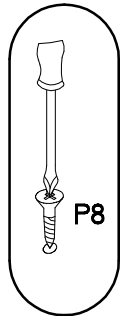
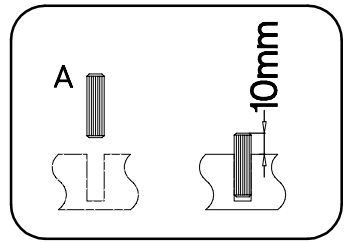
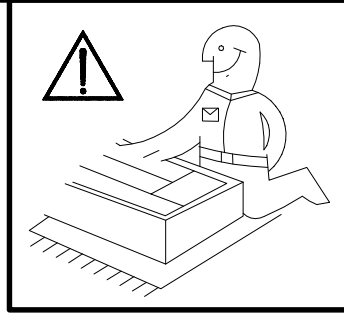
†8x30mm  A 8	6,4 x 50mm  B 8	 E1 8	†35/0mm  HG 2	†5/19mm  J 8	 K 2
 O 1	†3.5x13mm  P5 4	†3.0x20mm  P7 8-10	†4.0x30mm  P8 4	†4.0x30mm  R2 2	 S15 1



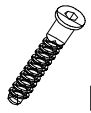
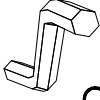

ISM-KUH-00998

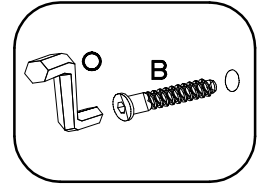
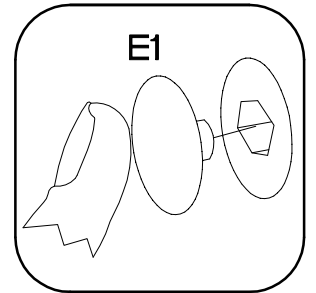
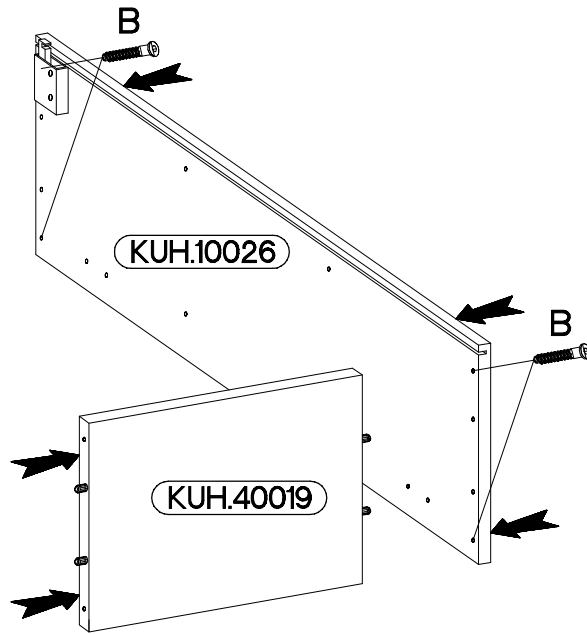
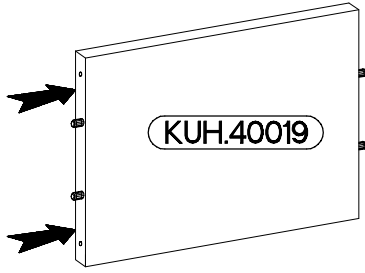
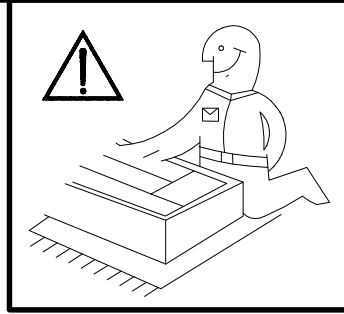
1

$\pm 8 \times 30 \text{mm}$  A	$\pm 4.0 \times 30 \text{mm}$  P8	 K
8	4	2


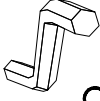



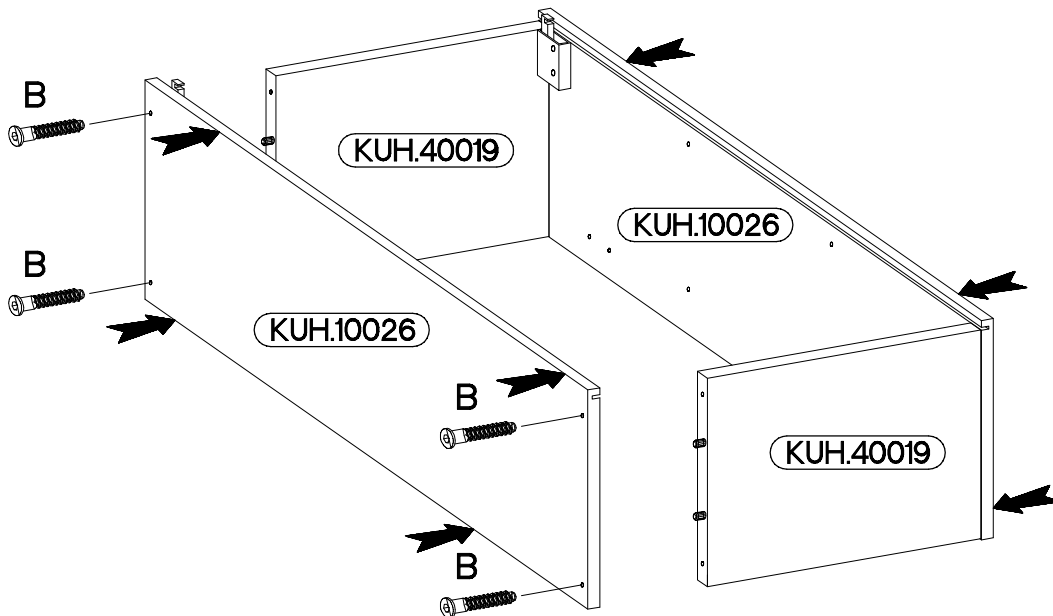
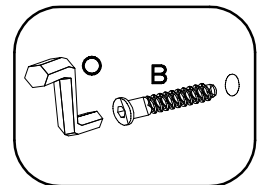
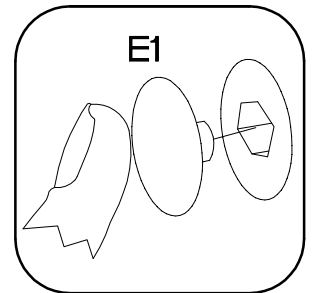
2

6,4 x 50mm		
		
B	O	E1
4	1	4

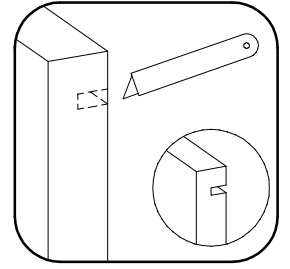
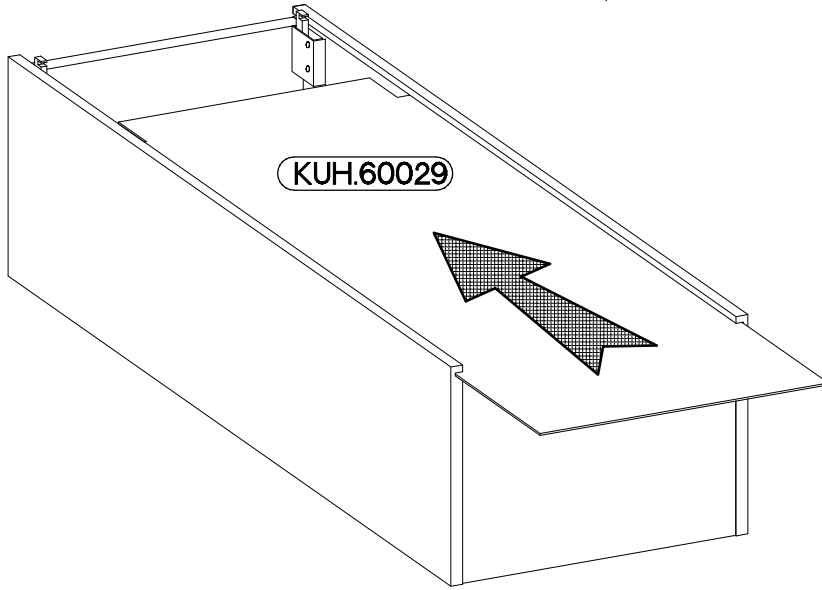
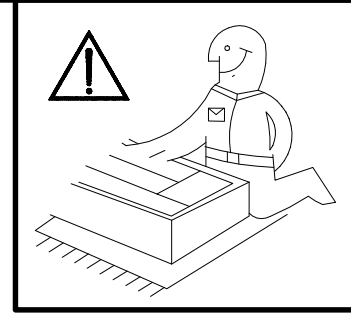
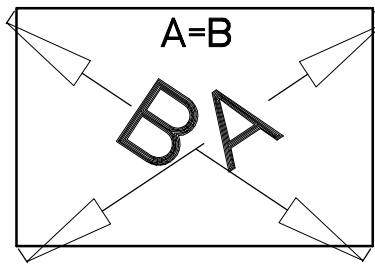


3

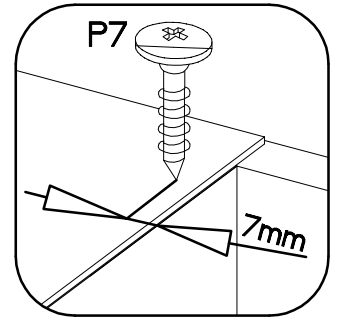
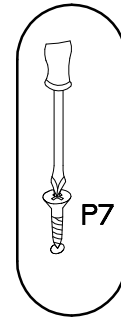
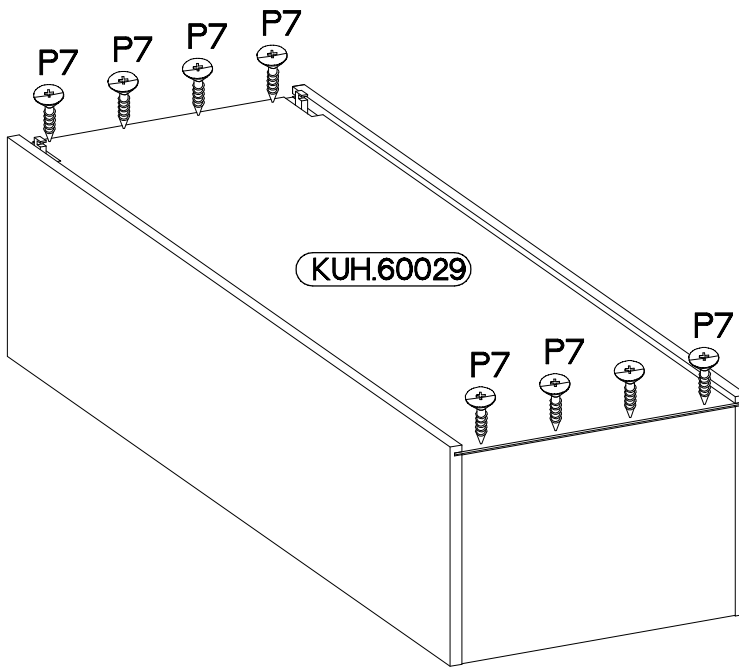
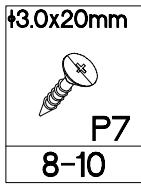
6,4 x 50mm		
		
B	O	E1
4	1	4



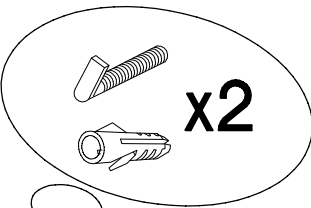
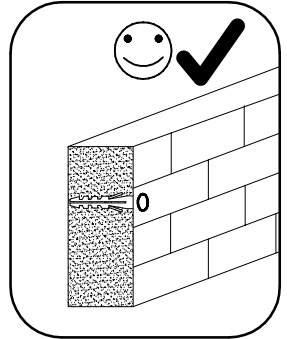
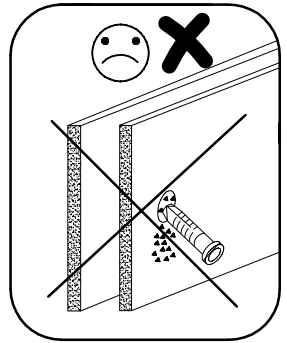
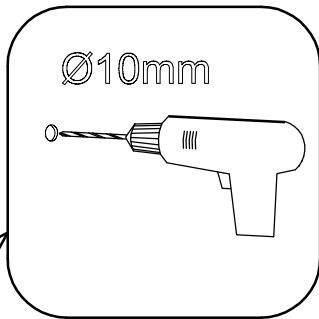
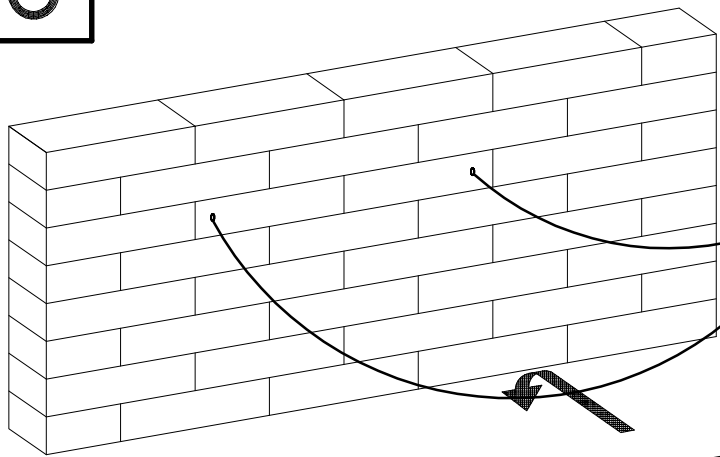
4



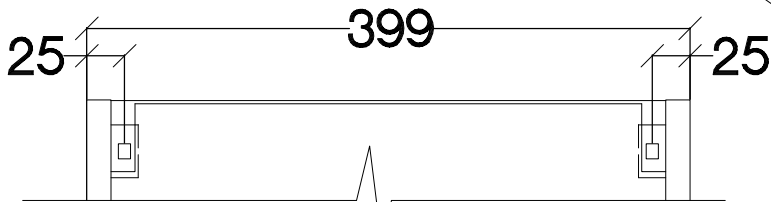
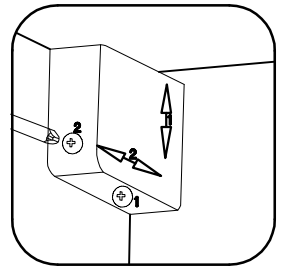
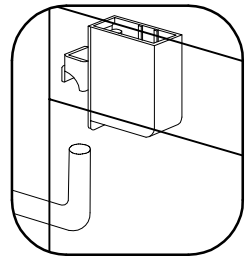
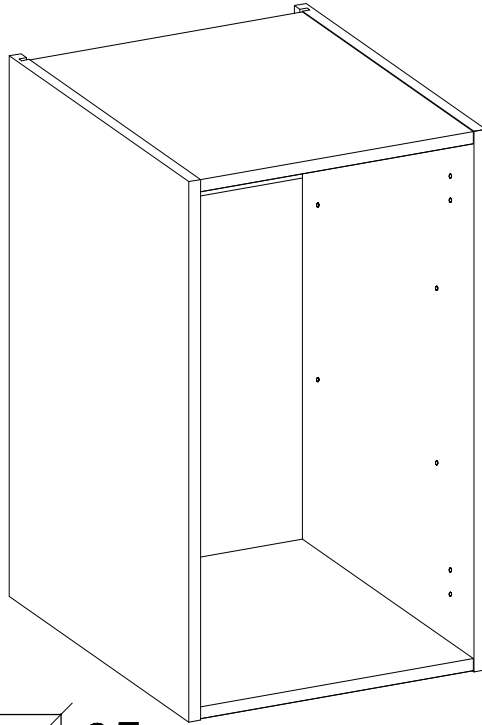
5



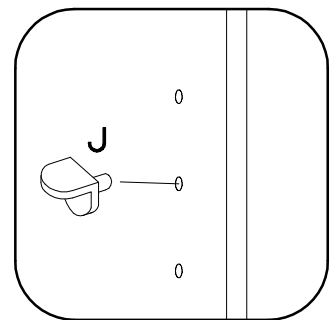
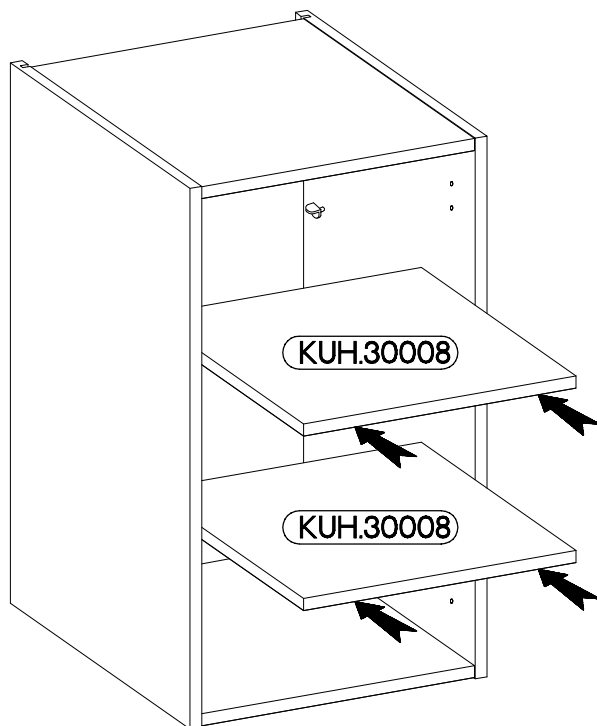
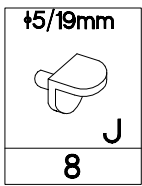
6



x2



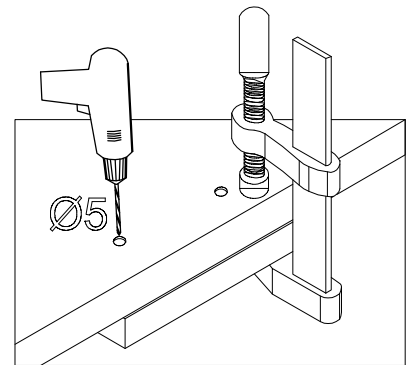
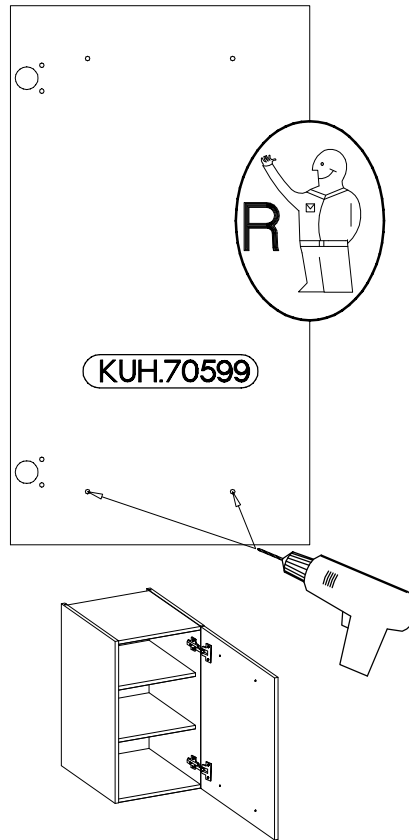
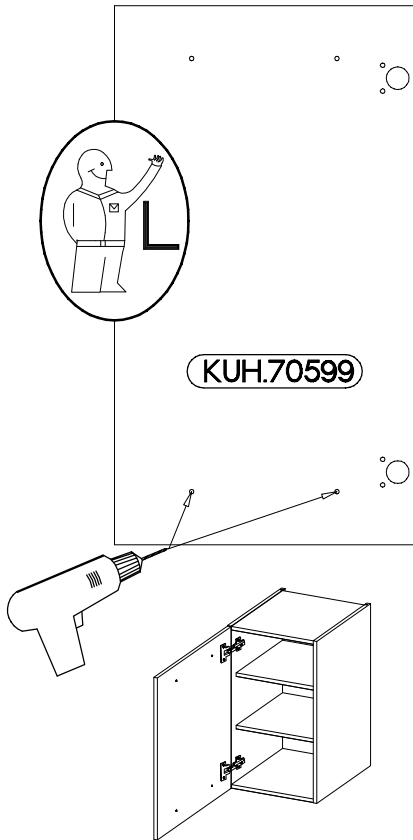
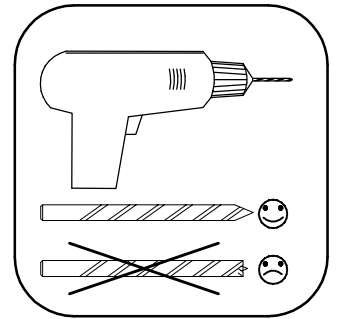
7



8

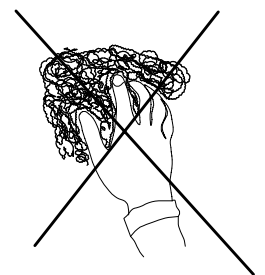
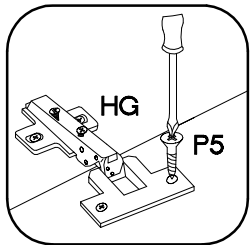
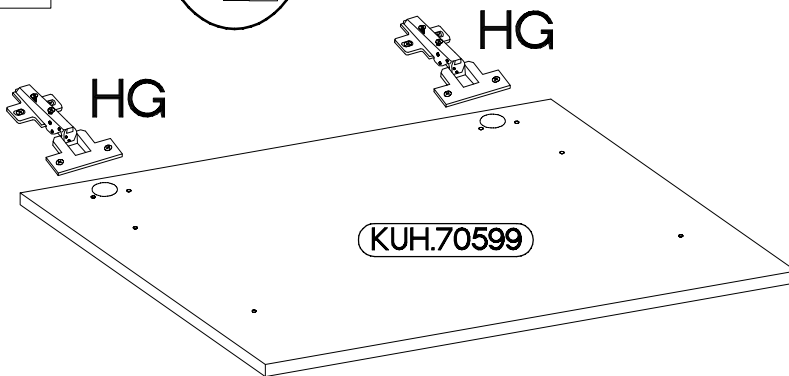
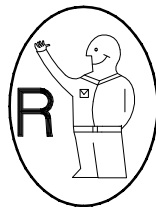
LEFT

RIGHT

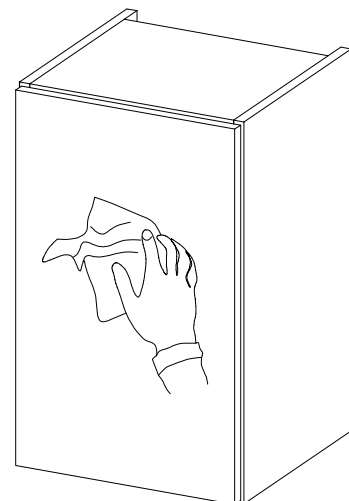
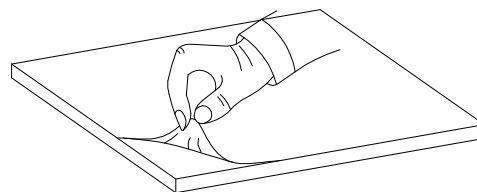
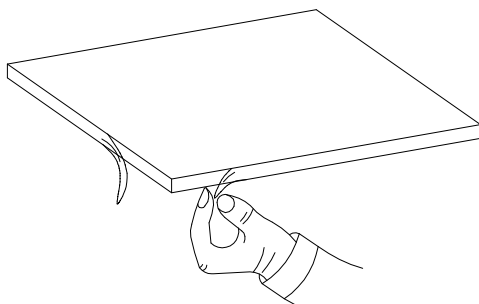




9

±35/0mm	±3.5x13mm
HG	P5
2	4



VARIANT HIGH GLOSS



4.0x30mm		
	R2	S15
	2	1

