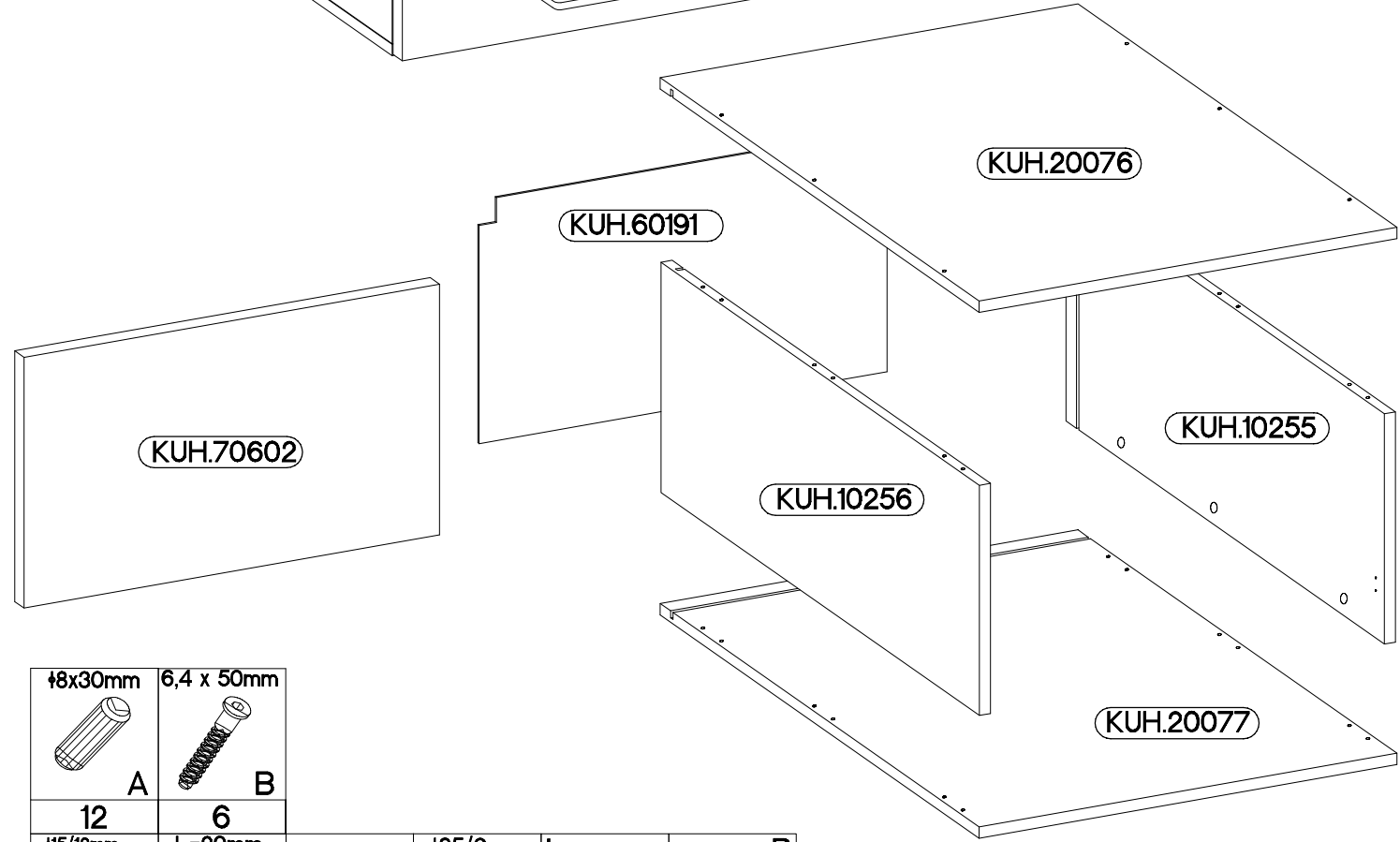
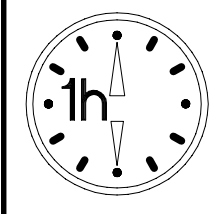
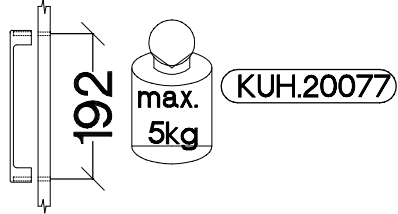
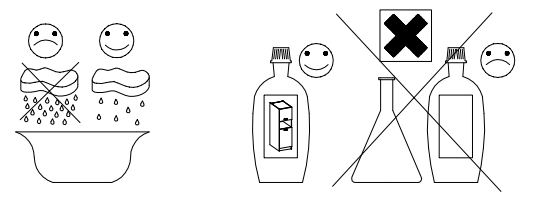
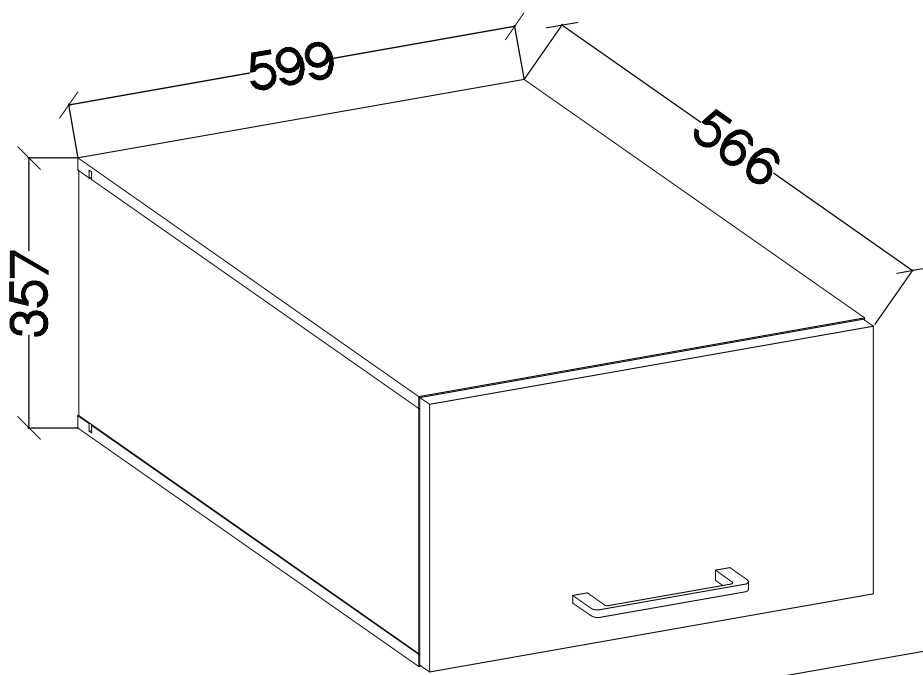


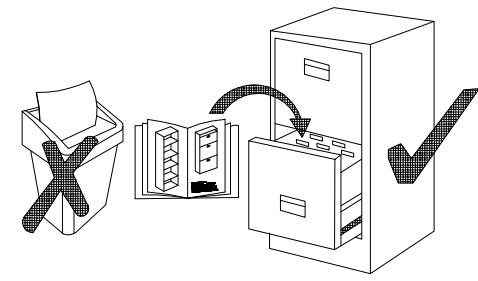
**60 NAGU-36**



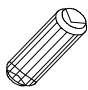
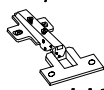

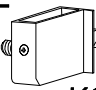
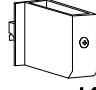
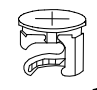

<p>ø8x30mm</p> <p><b>A</b></p> <p>12</p>	<p>6,4 x 50mm</p> <p><b>B</b></p> <p>6</p>
--	--

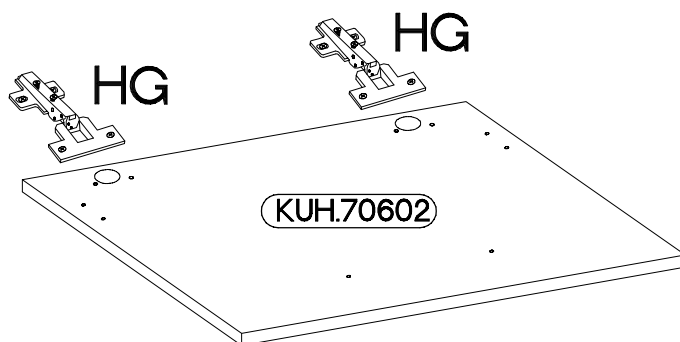
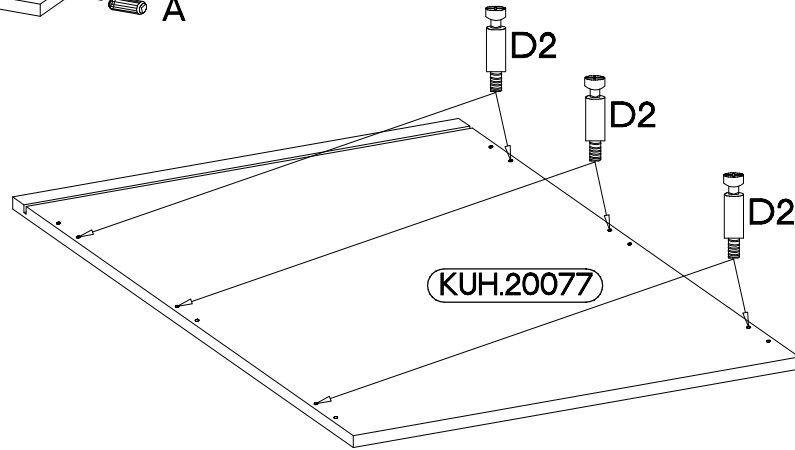
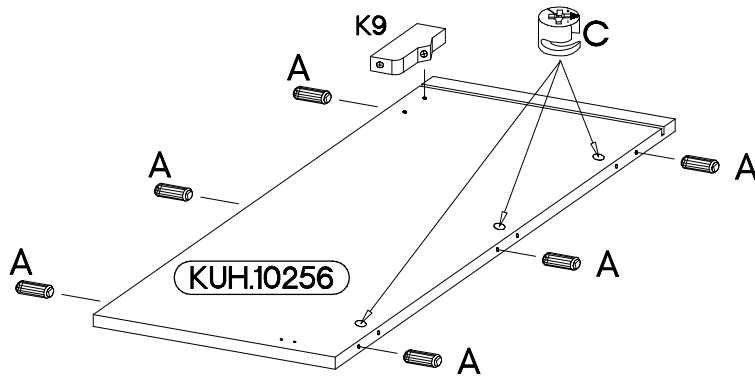
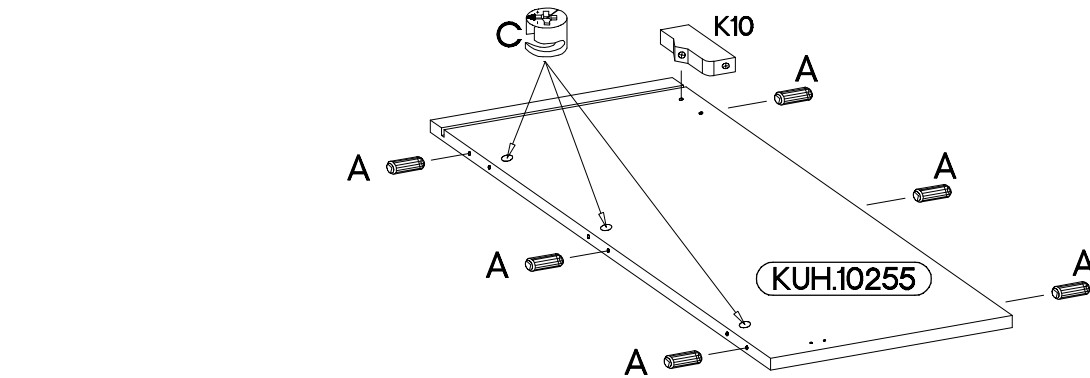
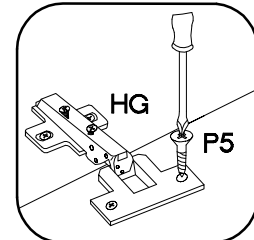
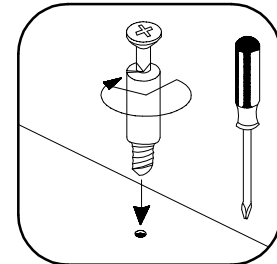
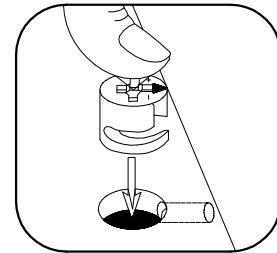
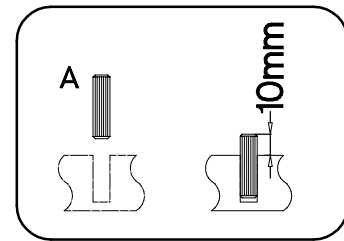
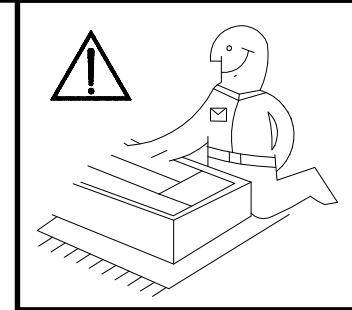
<p>ø15/12mm</p> <p><b>C</b></p> <p>6</p>	<p>L=20mm</p> <p><b>D2</b></p> <p>6</p>	<p><b>E</b></p> <p>6</p>	<p>ø35/0mm</p> <p><b>HG</b></p> <p>2</p>	<p><b>K9</b></p> <p>1</p>	<p><b>K10</b></p> <p>1</p>
--	---	--------------------------	--	---------------------------	----------------------------

<p><b>K24</b></p> <p>2</p>	<p><b>L</b></p> <p>6</p>	<p><b>O</b></p> <p>1</p>	<p>ø3.5x13mm</p> <p><b>P5</b></p> <p>4</p>	<p>ø4.0x30mm</p> <p><b>R2</b></p> <p>2</p>	<p><b>S15</b></p> <p>1</p>
----------------------------	--------------------------	--------------------------	--	--	----------------------------

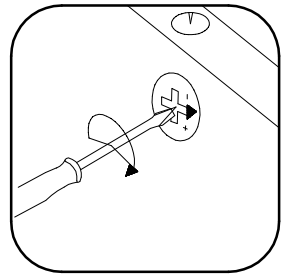
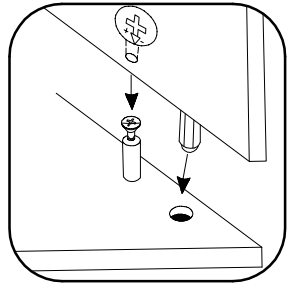
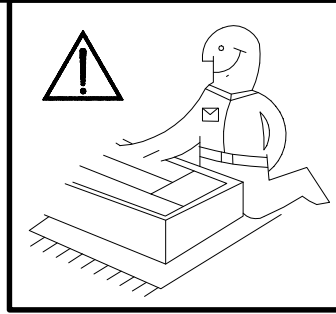
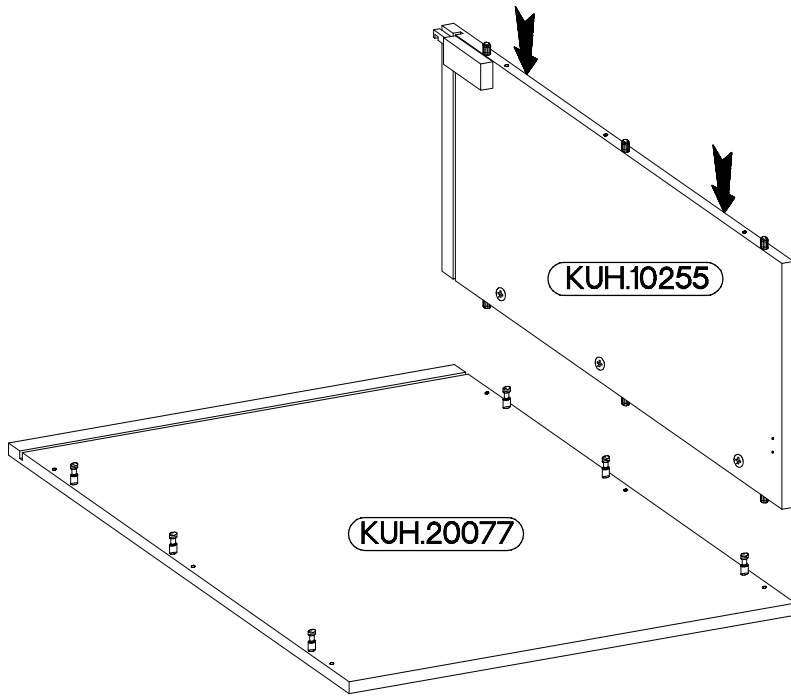


**ISM-KUH-00959**

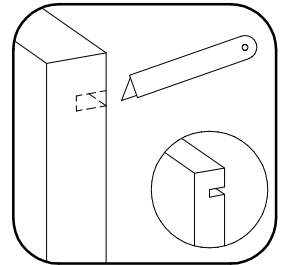
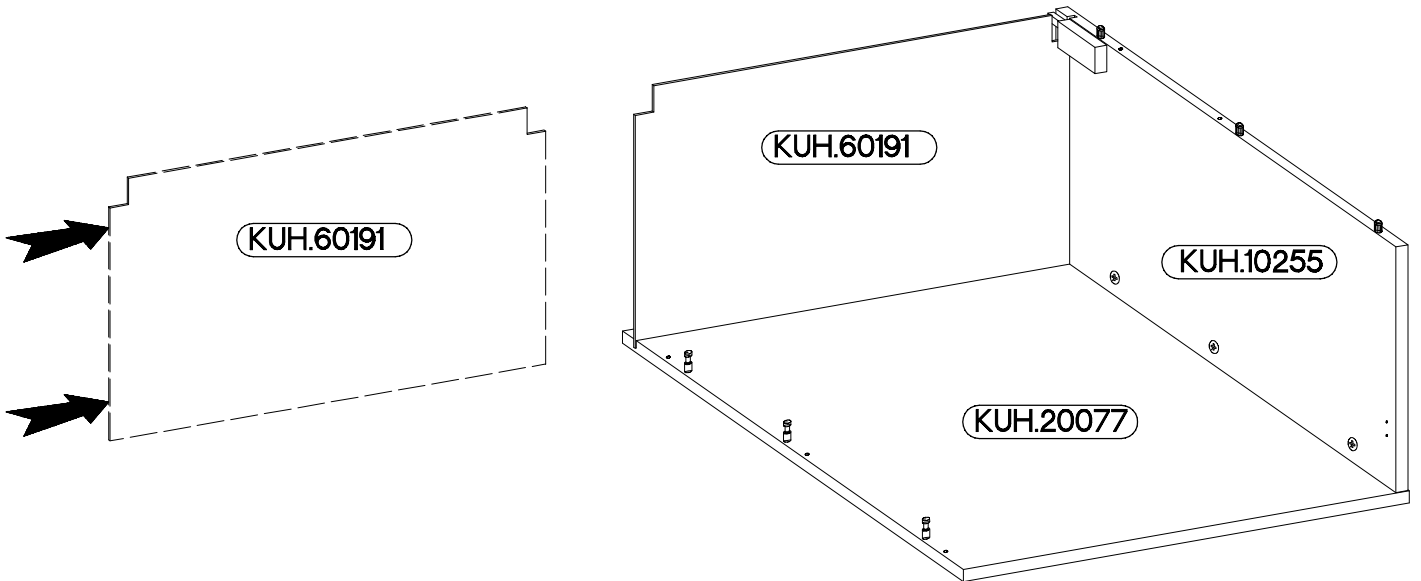
 †8x30mm <b>A</b> 12	 †35/0mm <b>HG</b> 2	 †3.5x13mm <b>P5</b> 4	 <b>L</b> <b>K9</b> 1	 <b>R</b> <b>K10</b> 1	 †15/12mm <b>C</b> 6	 L=20mm <b>D2</b> 6
---	---	---	--	---	---	---



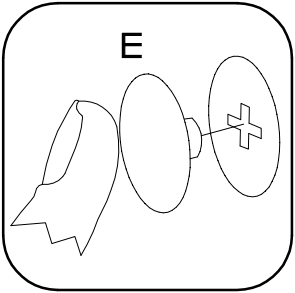
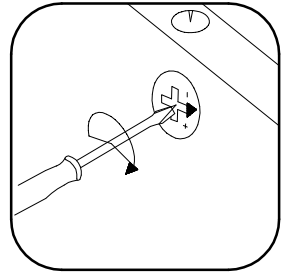
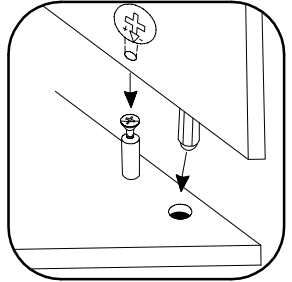
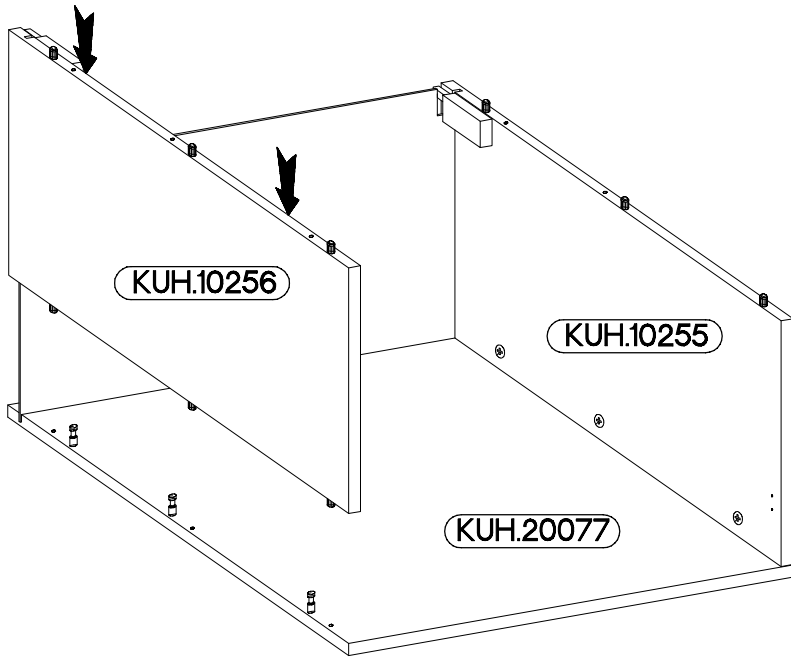
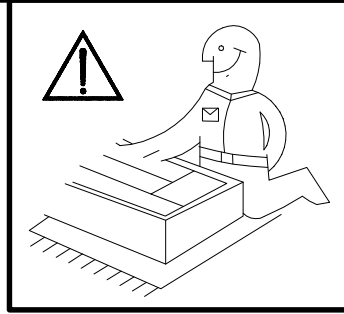
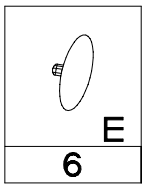
2



3

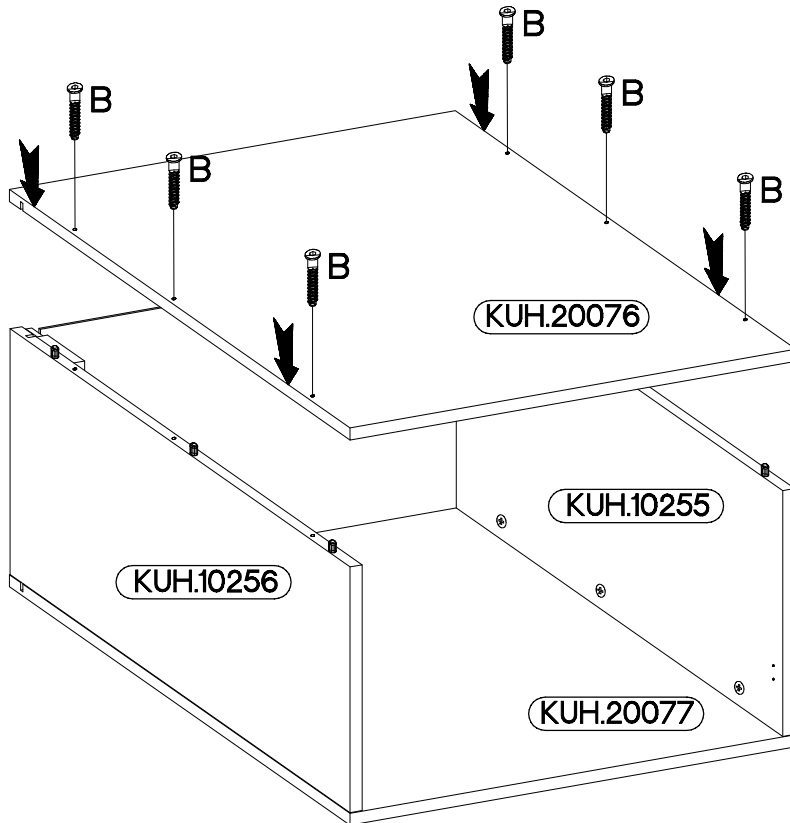
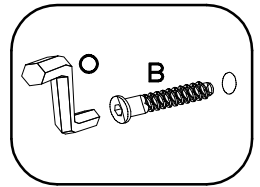
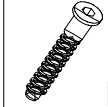


4

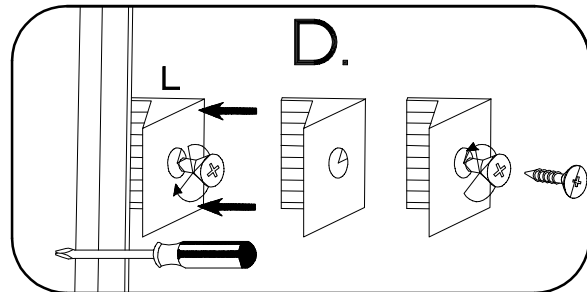
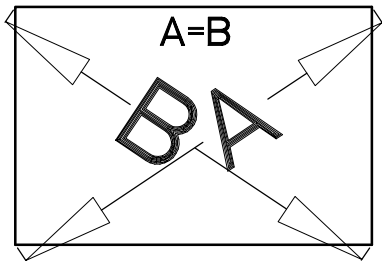
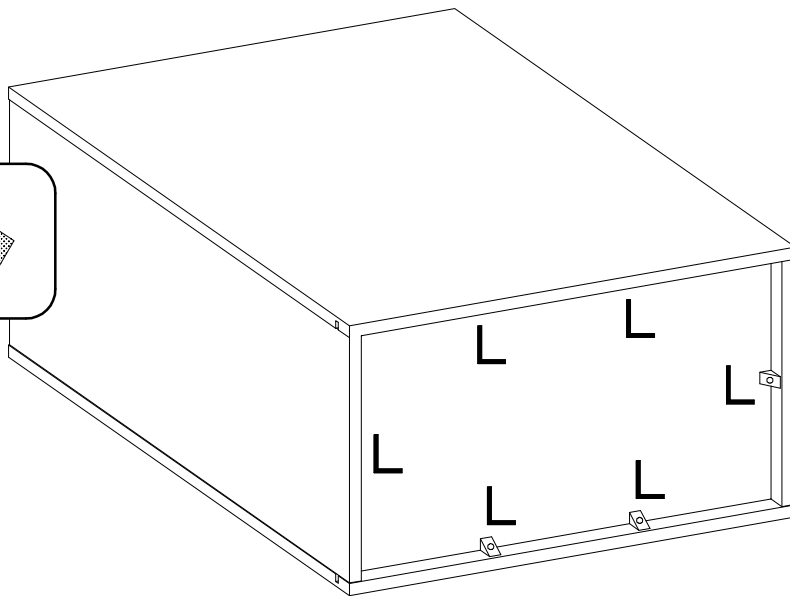
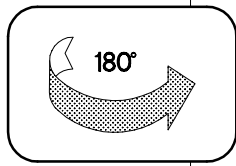
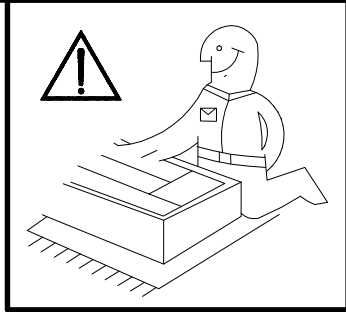
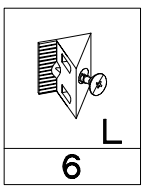


5

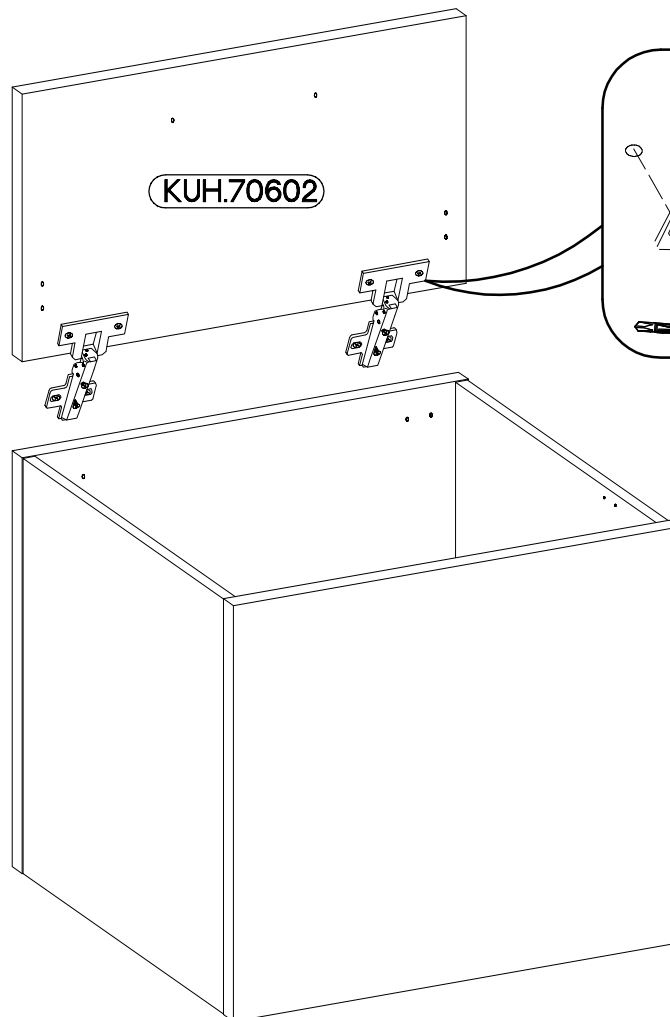
6,4 x 50mm



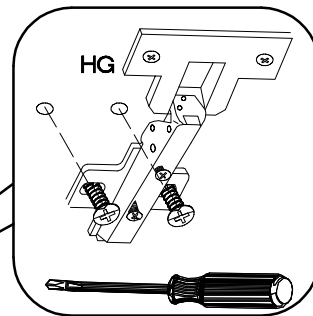
6



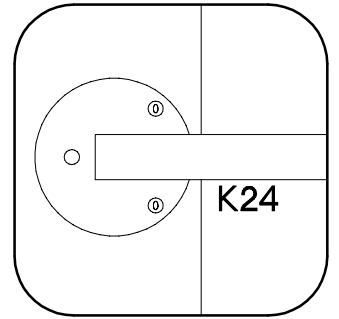
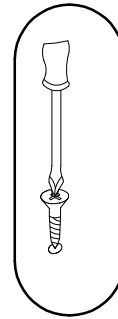
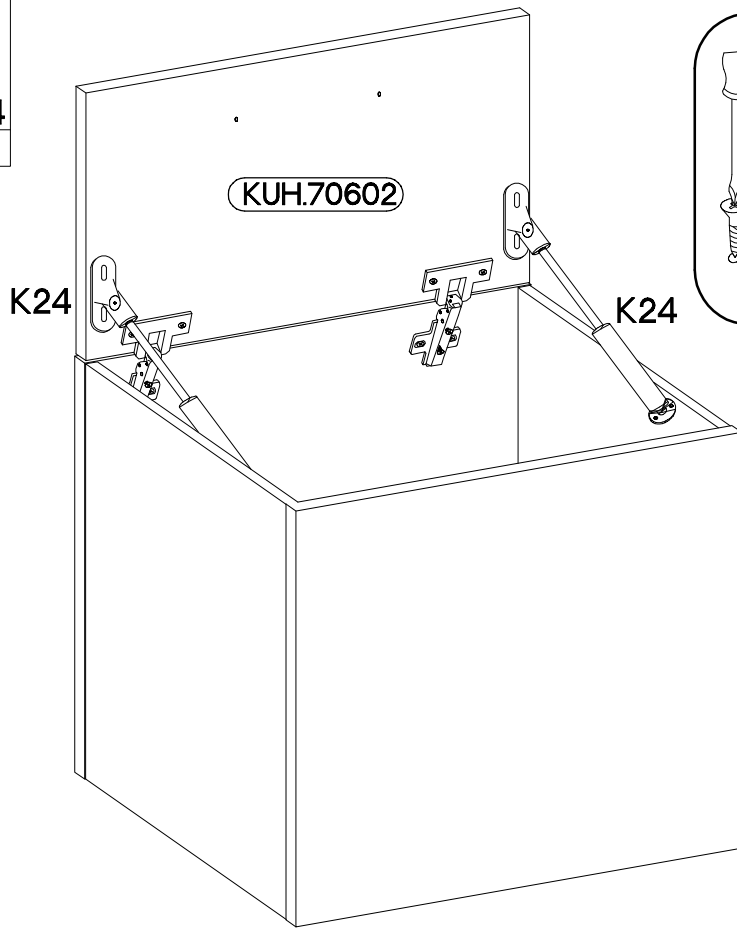
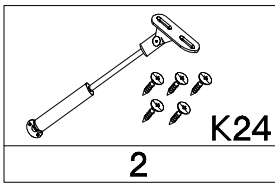
7



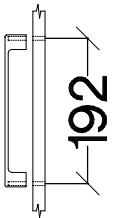
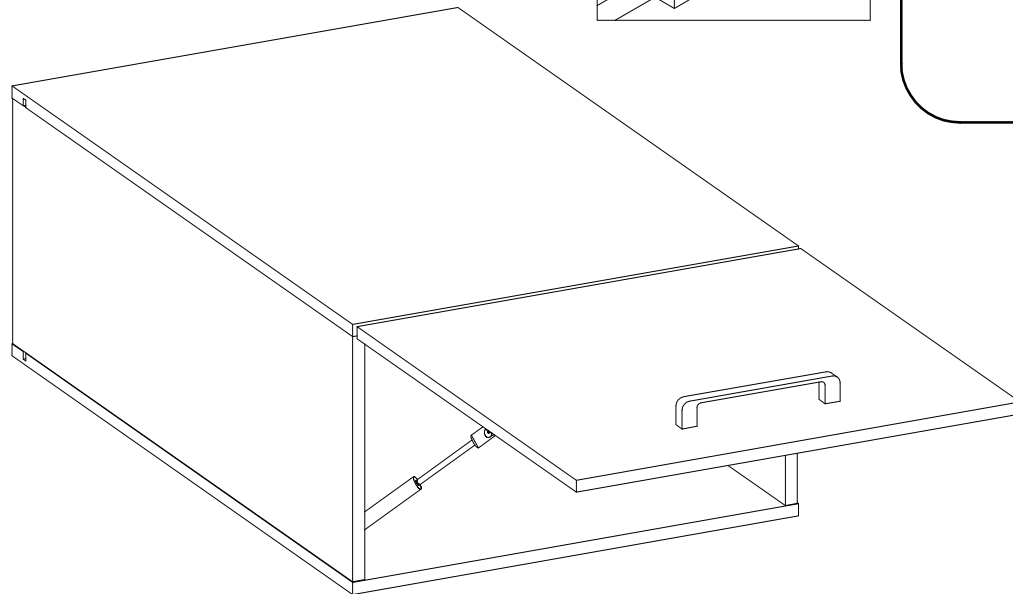
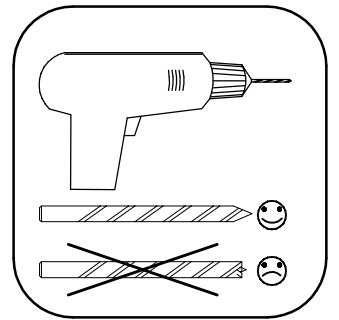
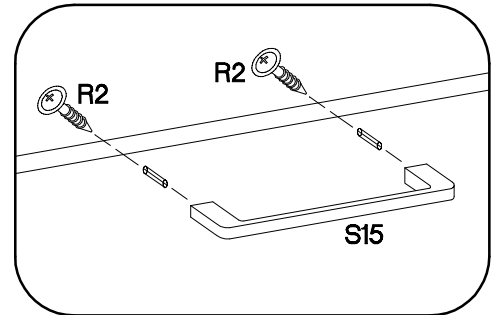
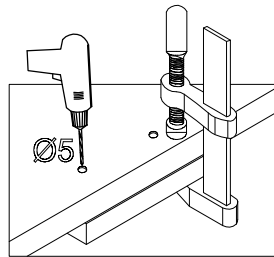
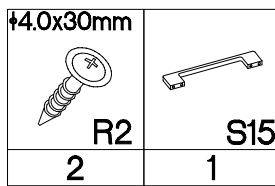
KUH.70602



8



9



### VARIANT HIGH GLOSS

