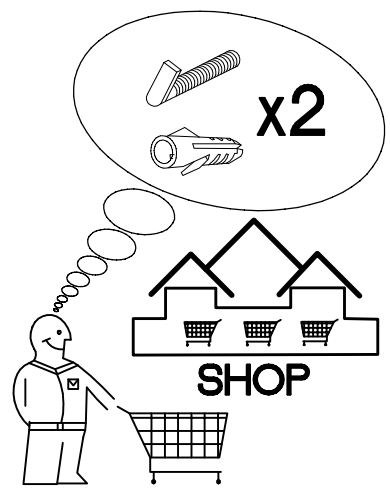
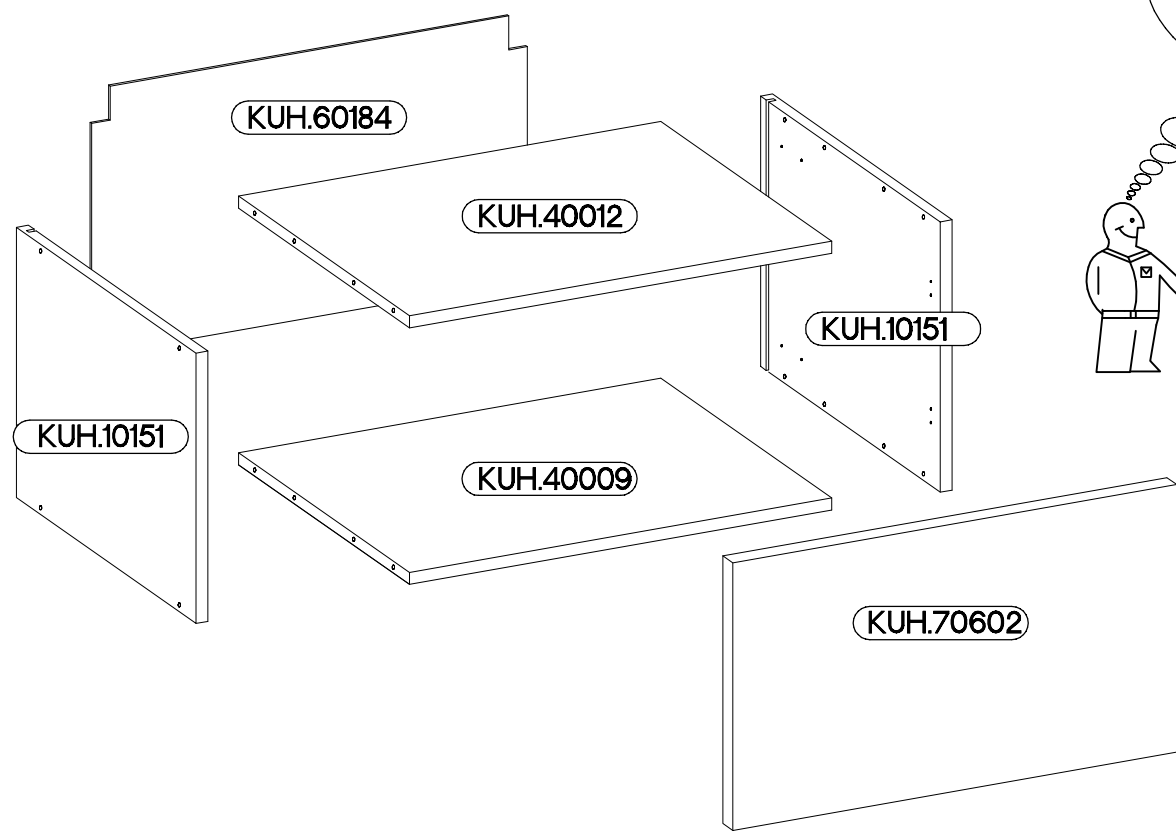
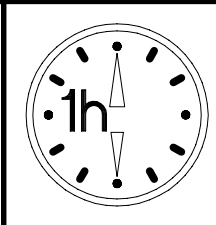
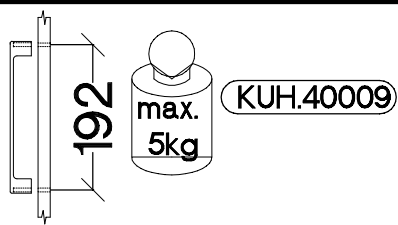
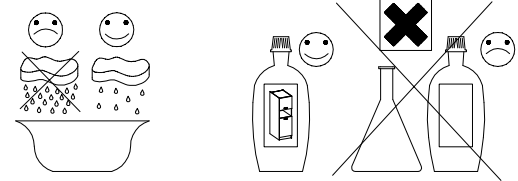
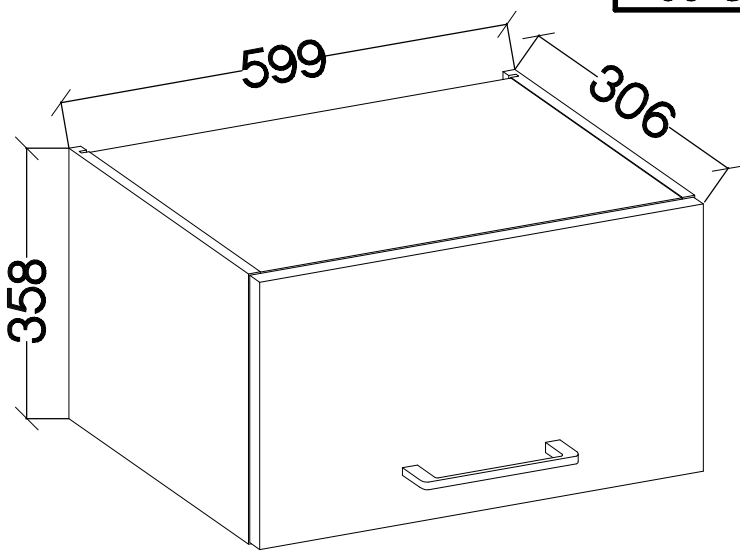
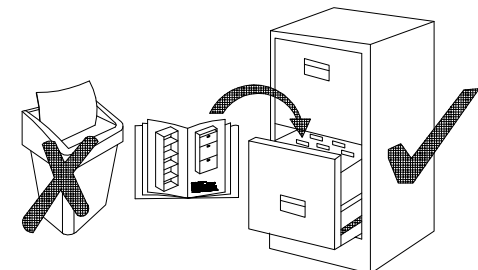


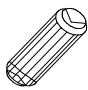
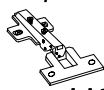

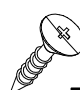
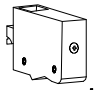
60 GU-36

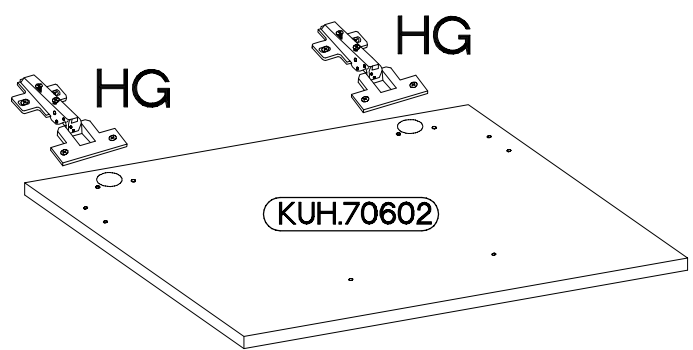
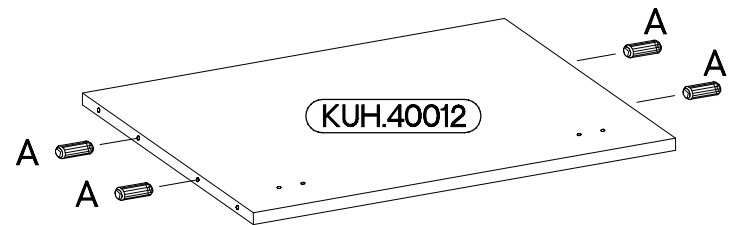
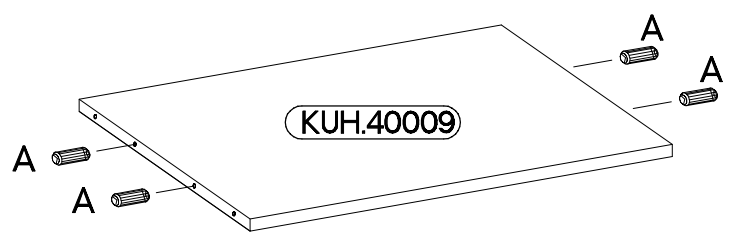
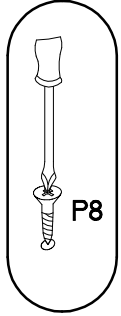
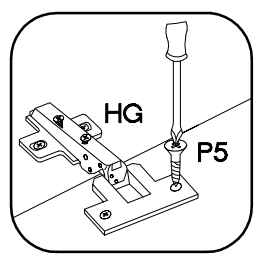
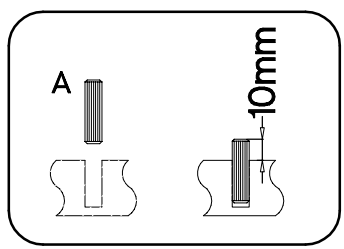
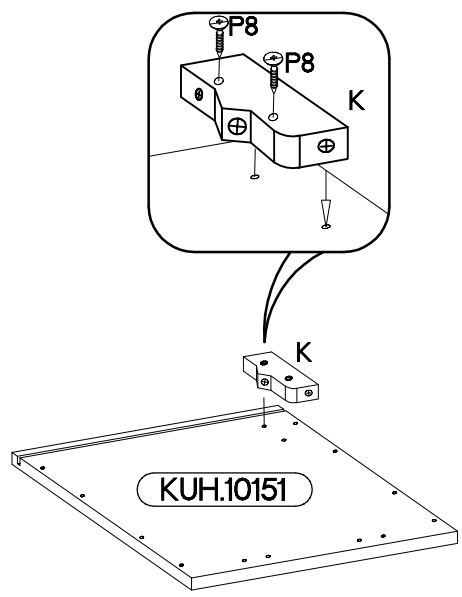
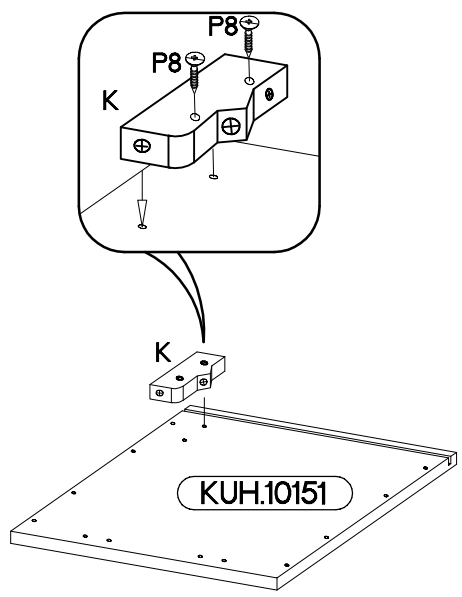
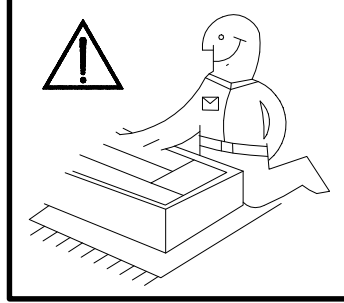


<p>8x30mm A</p>	<p>6,4 x 50mm B</p>	<p>E1</p>	<p>35/0mm HG</p>	<p>K</p>	<p>K24</p>
8	8	8	2	2	2
<p>O</p>	<p>3.5x13mm P5</p>	<p>3.0x20mm P7</p>	<p>4.0x30mm P8</p>	<p>4.0x30mm R2</p>	<p>S15</p>
1	4	8-10	4	2	1

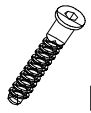
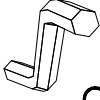



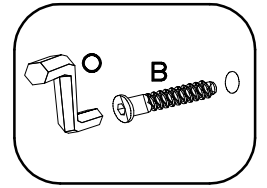
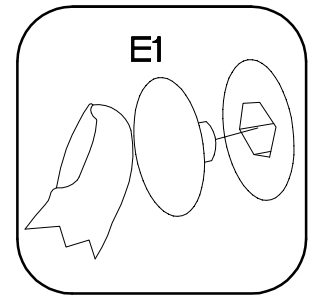
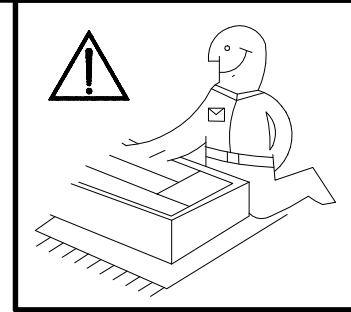
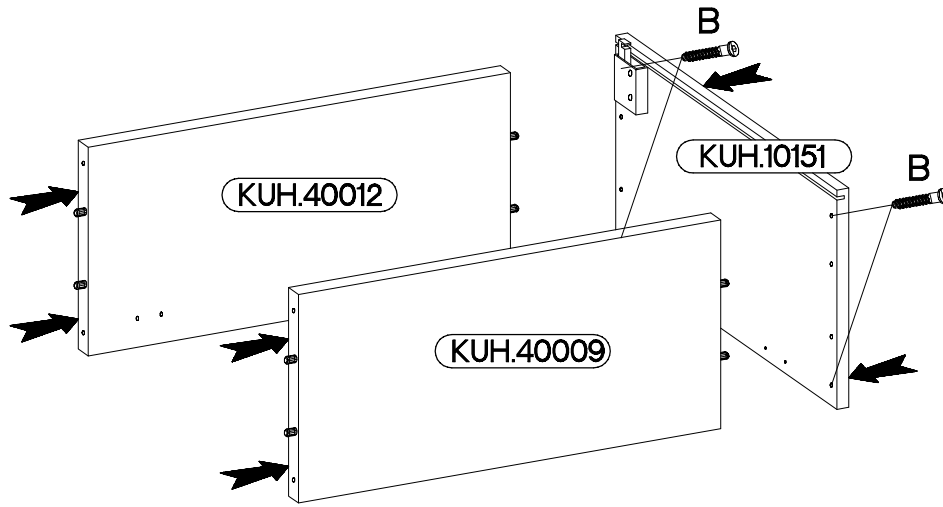
ISM-KUH-00997

±8x30mm  A 8	±35/0mm  HG 2	±3.5x13mm  P5 4	±4.0x30mm  P8 4	 K 2
---	--	--	--	--


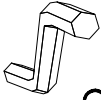



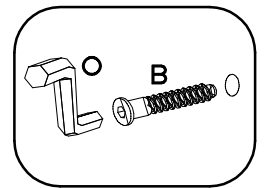
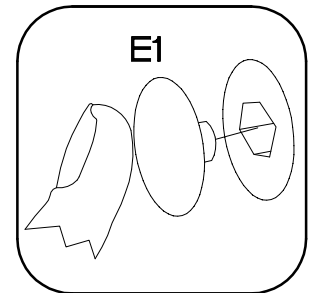
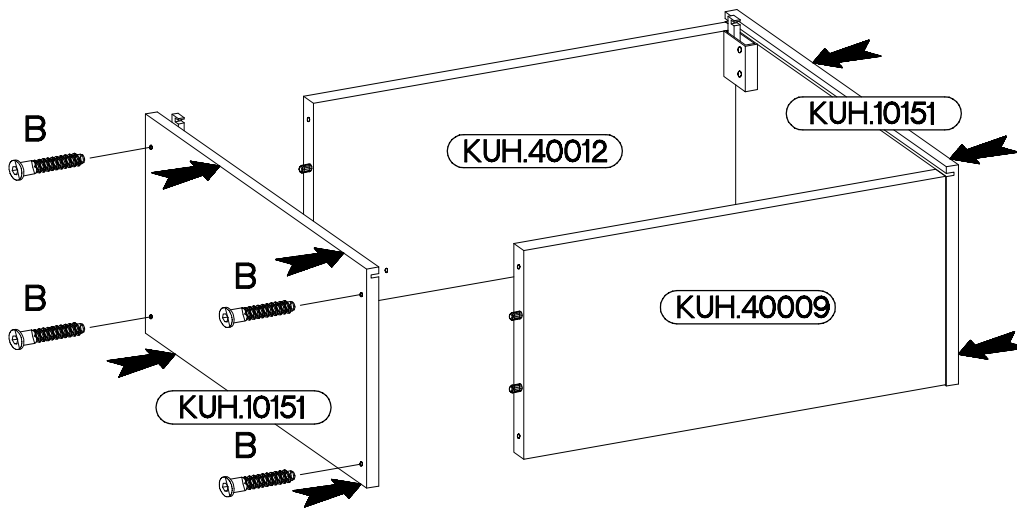
2

6,4 x 50mm		
		
B	O	E1
4	1	4

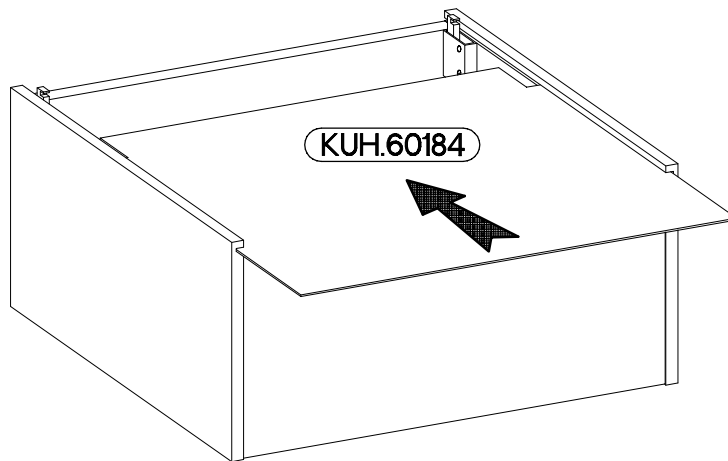
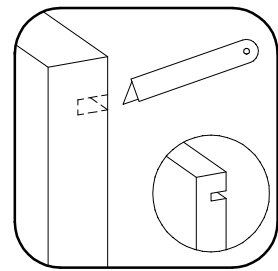
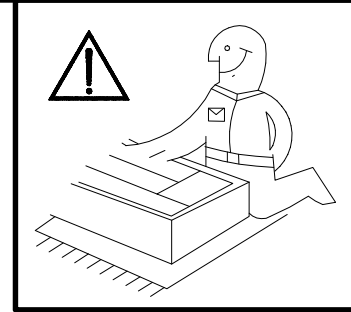
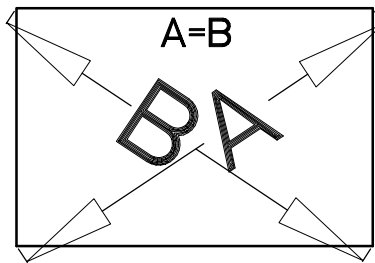


3

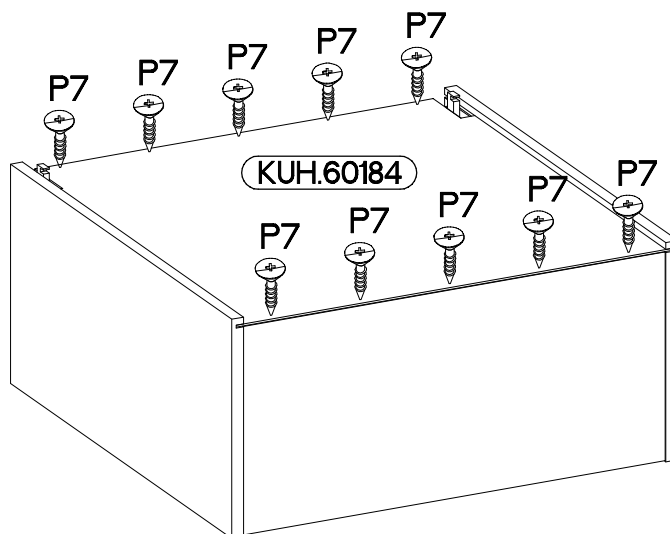
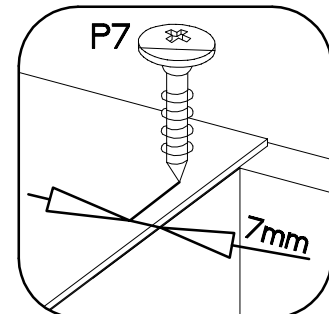
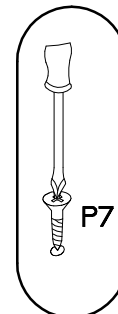
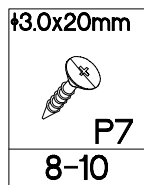
6,4 x 50mm		
		
B	O	E1
4	1	4



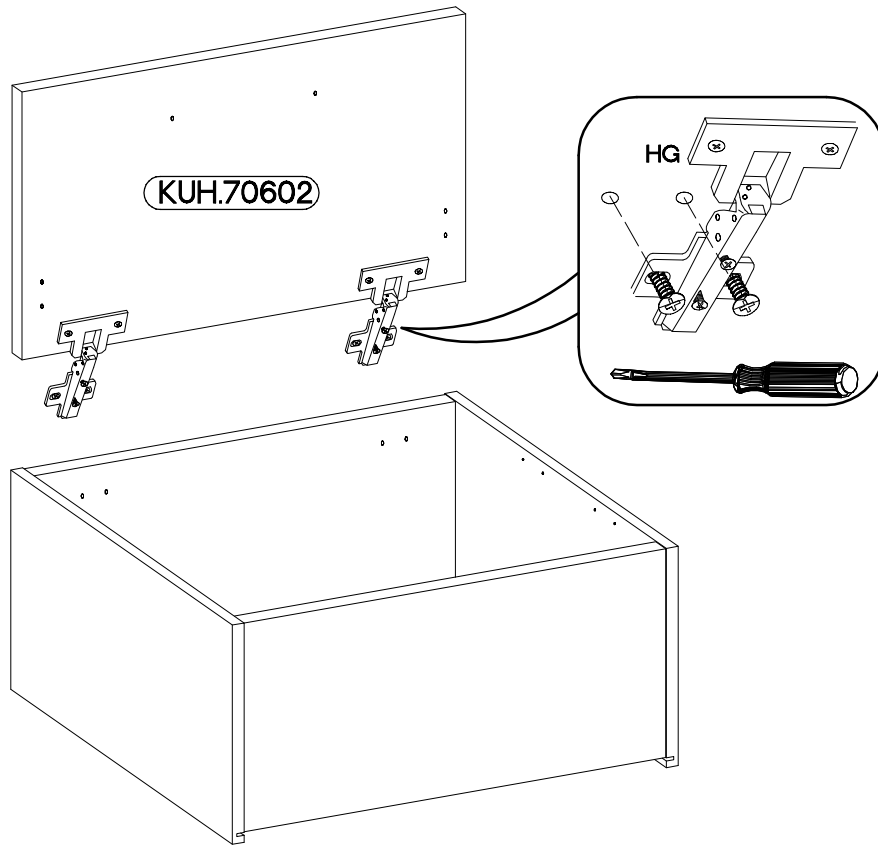
4



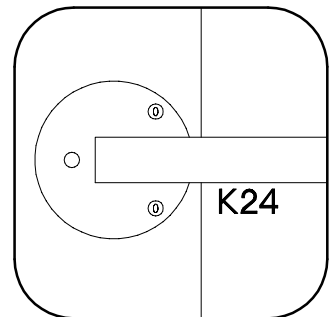
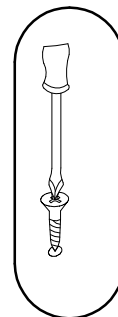
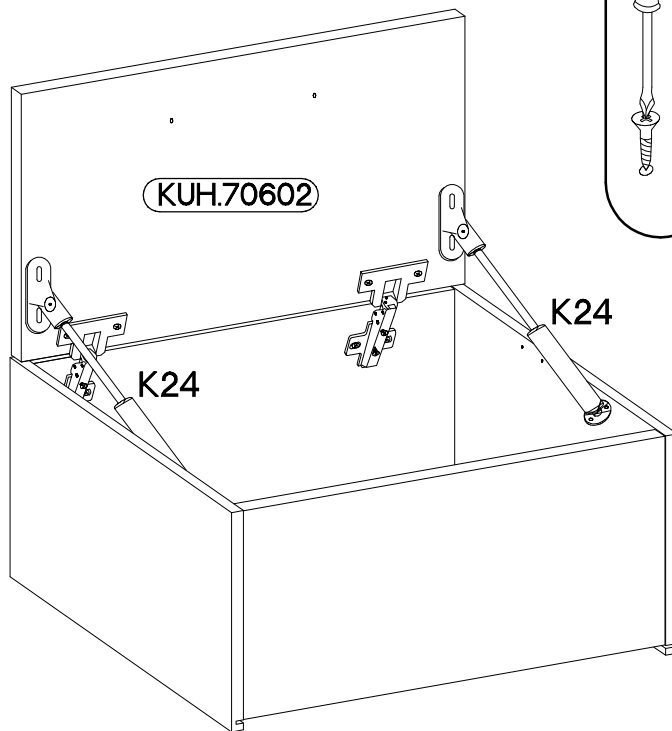
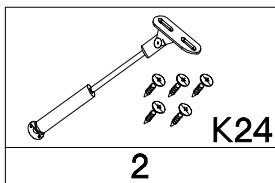
5



6



7

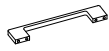


+4.0x30mm



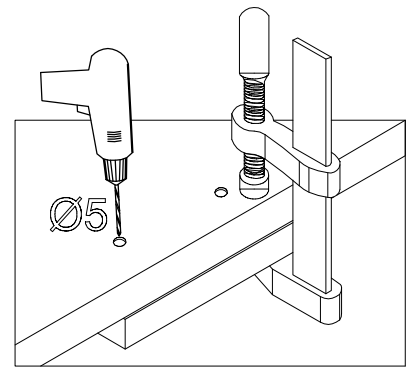
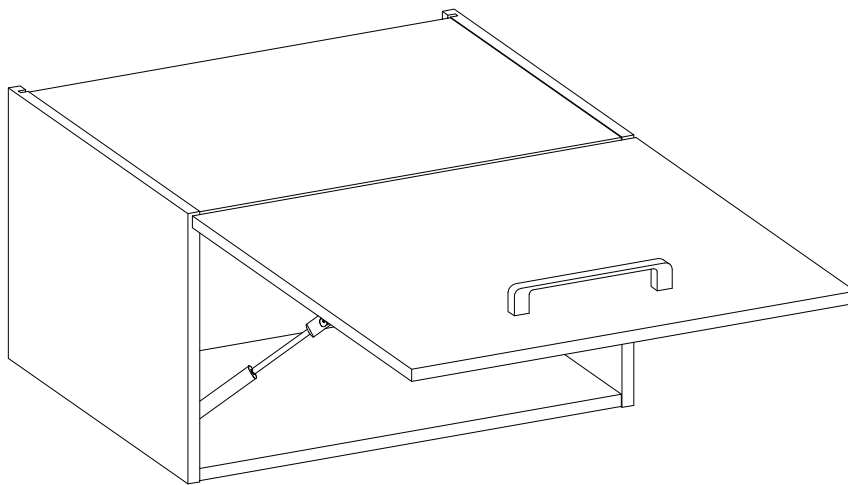
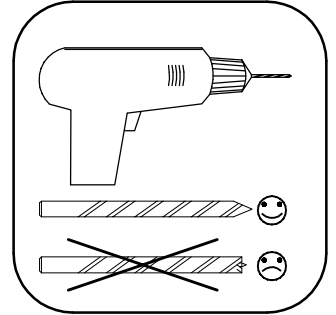
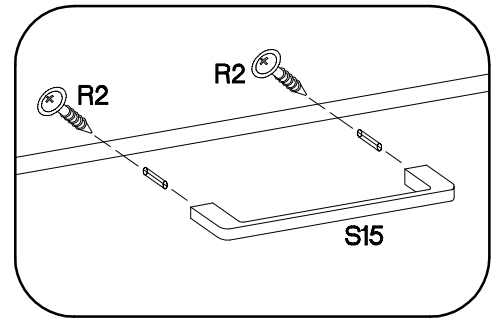
R2

2



S15

1



VARIANT HIGH GLOSS

