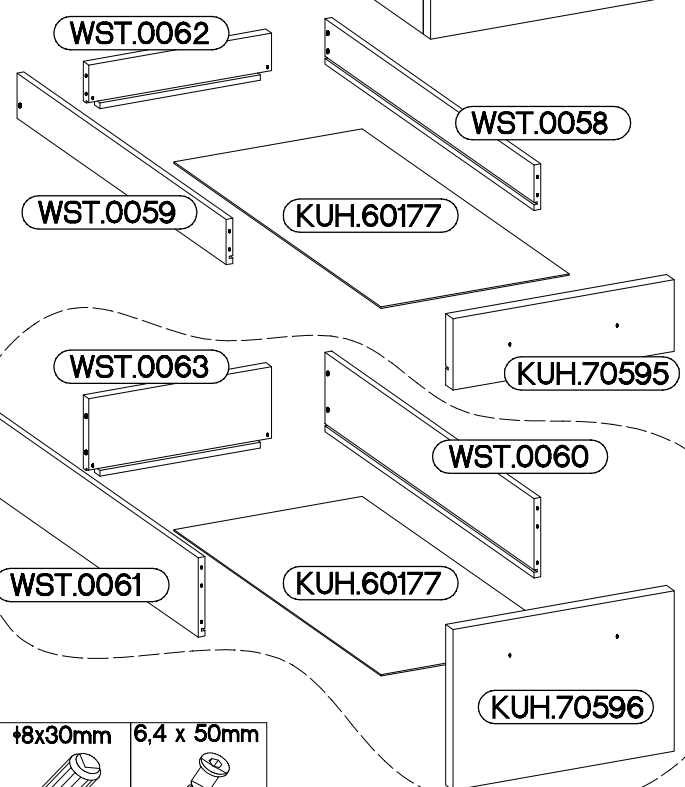
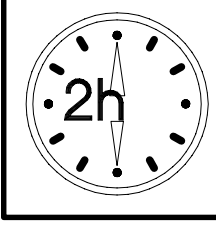
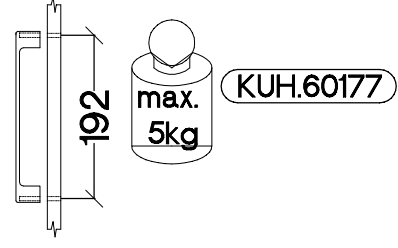
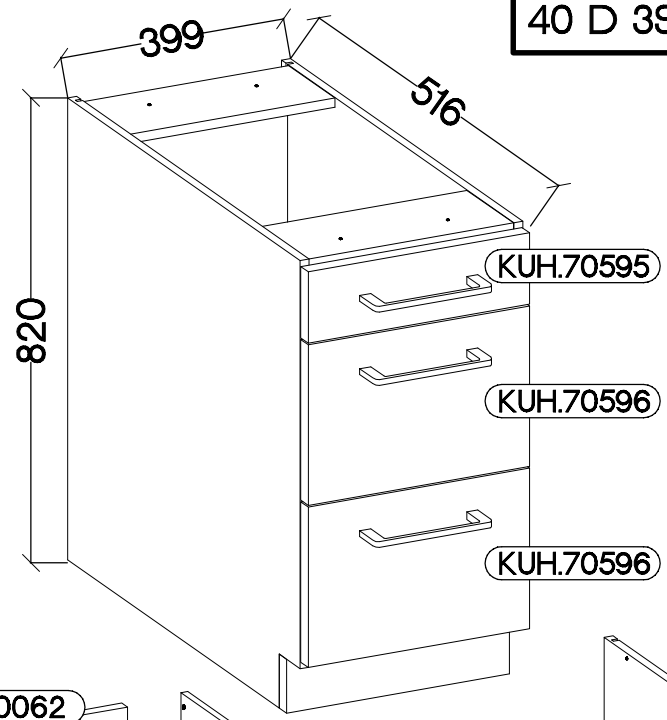
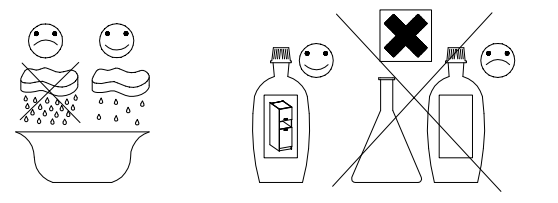
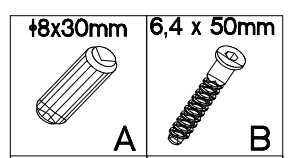
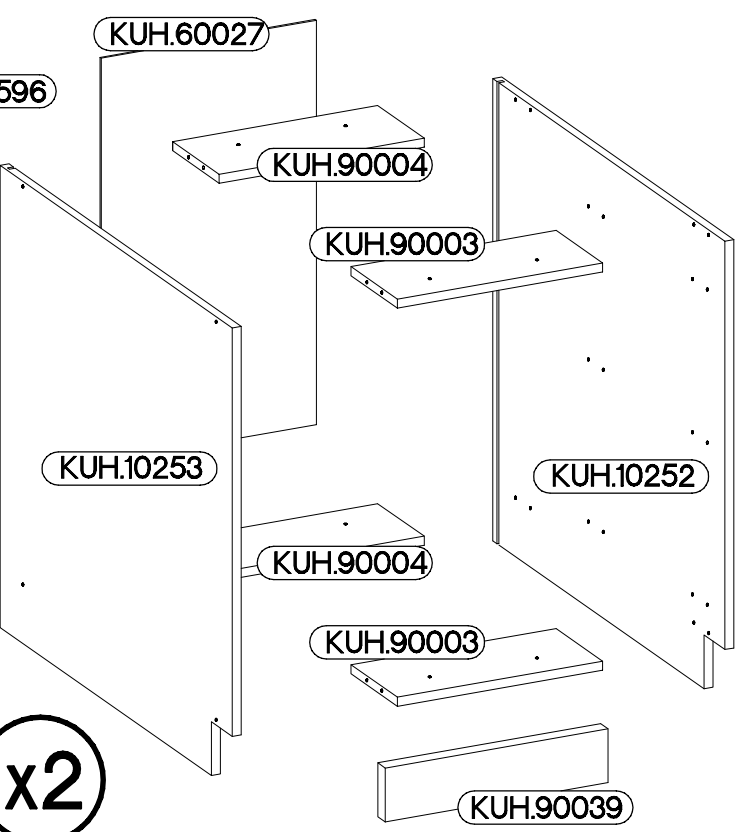


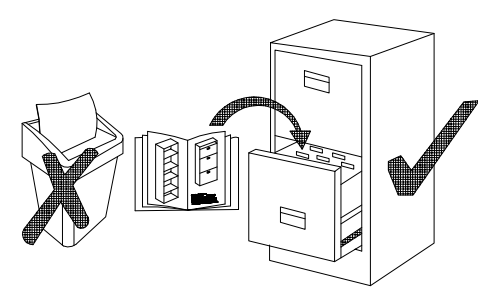
40 D 3S BB



x2





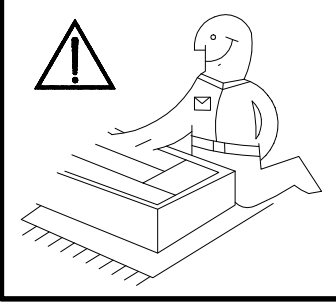
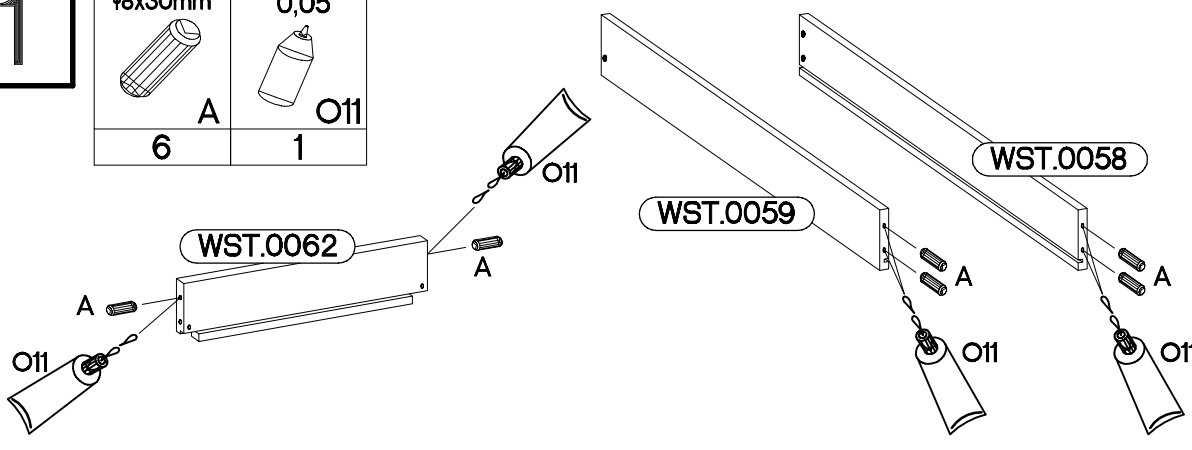
26 +8x42mm B2	8 E1		6.5x48x16 F2	L=450mm L R I11	+5.0x13mm M
10	8	2	4	3	24
1 O	1 O11	2 +4.0x45mm P4	8-10 +3.0x20mm P7	6 +4.0x30mm R2	4 +4.0x35mm R3
					3 S15





ISM-KUH-00961

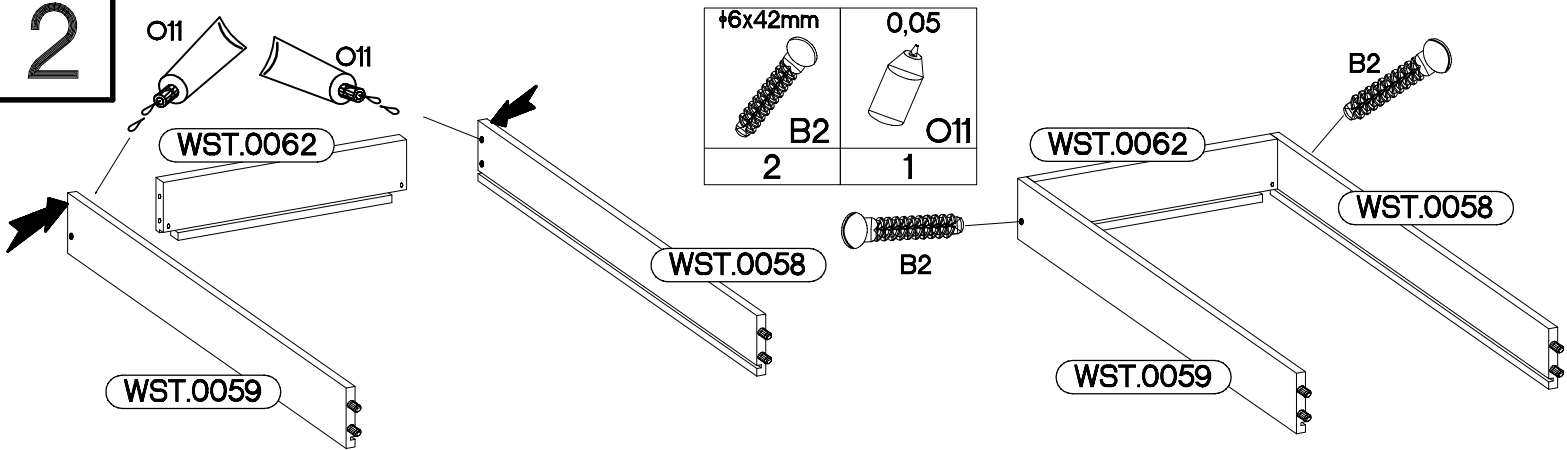
1

+8x30mm  A 6	0,05  O11 1
---	--




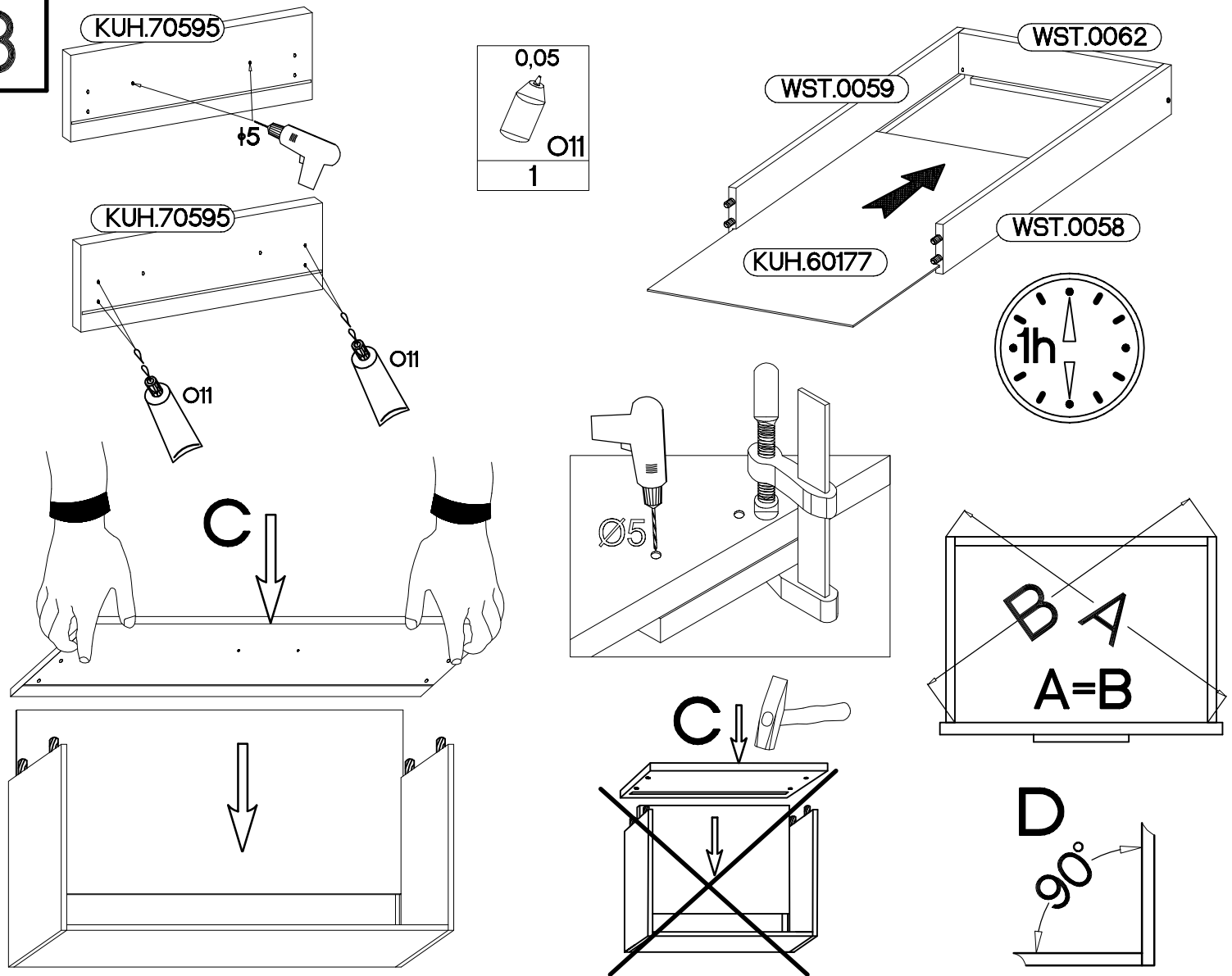
2

+6x42mm  B2 2	0,05  O11 1
---	---

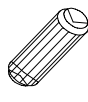



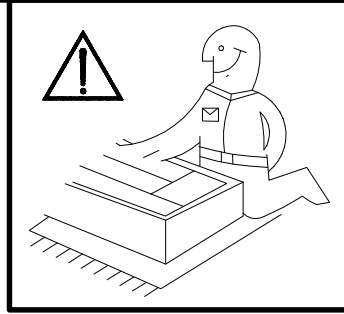
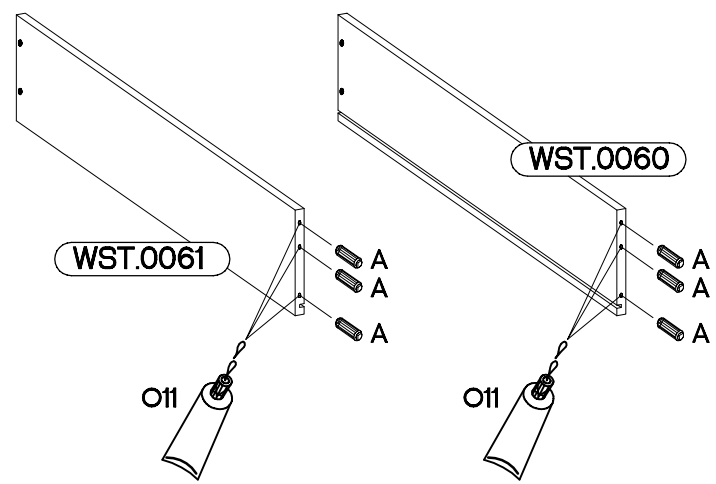
3

0,05  O11 1




4

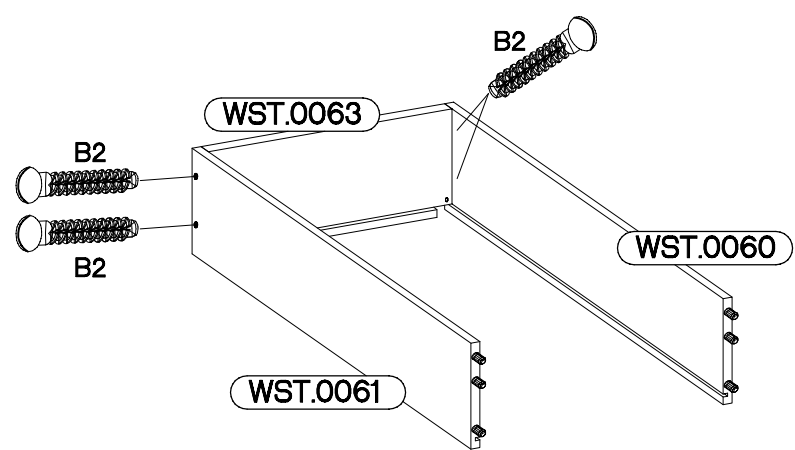
+8x30mm  A 12	0,05  O11 1
--	--



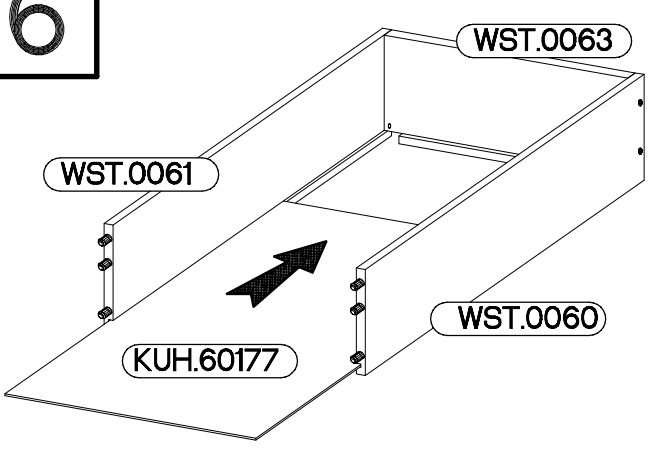
x2


5

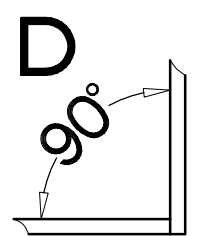
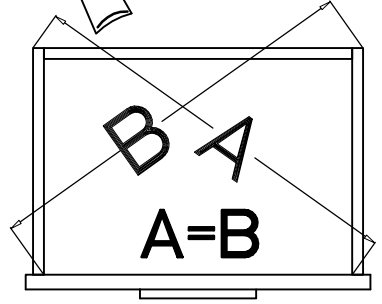
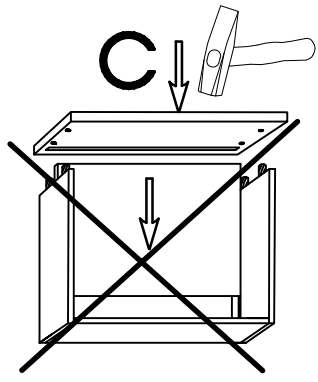
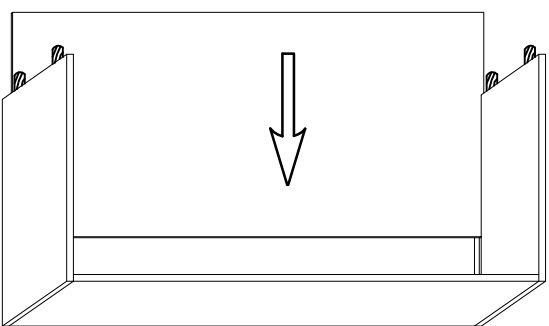
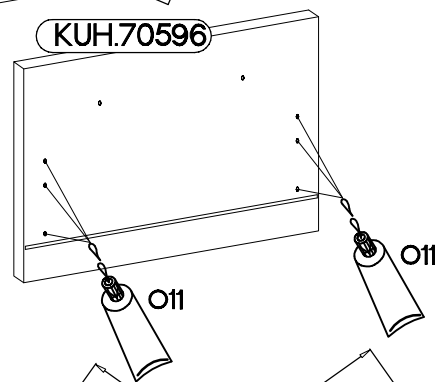
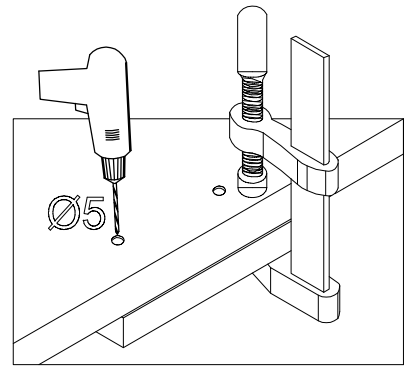
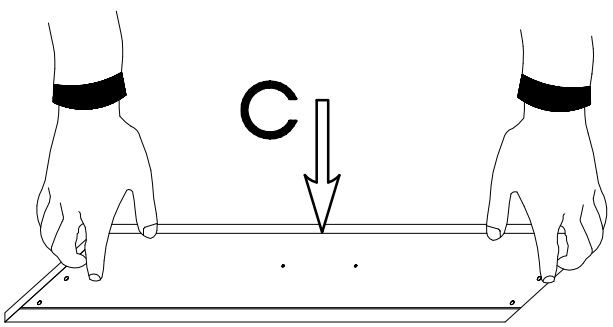
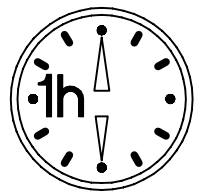
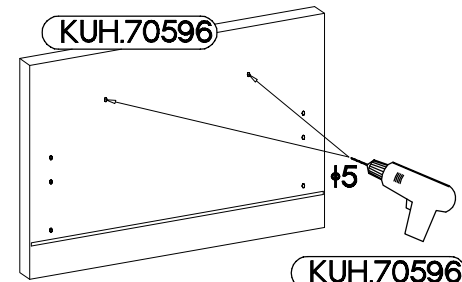
+6x42mm  B2 8

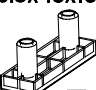
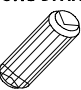
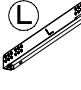




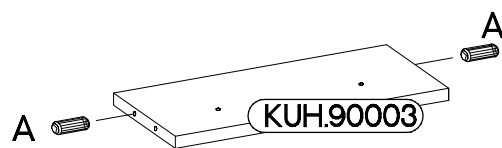
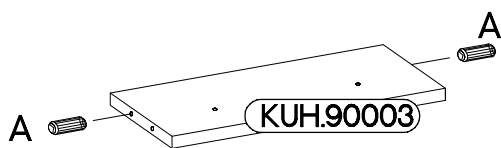
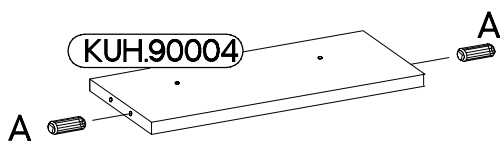
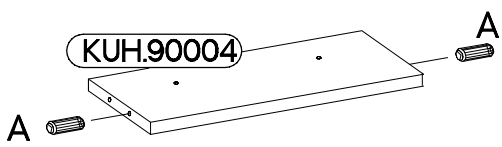
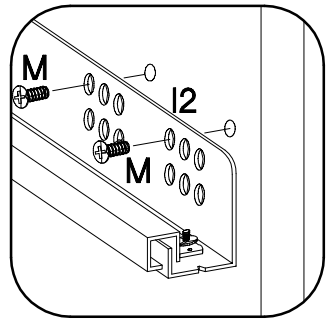
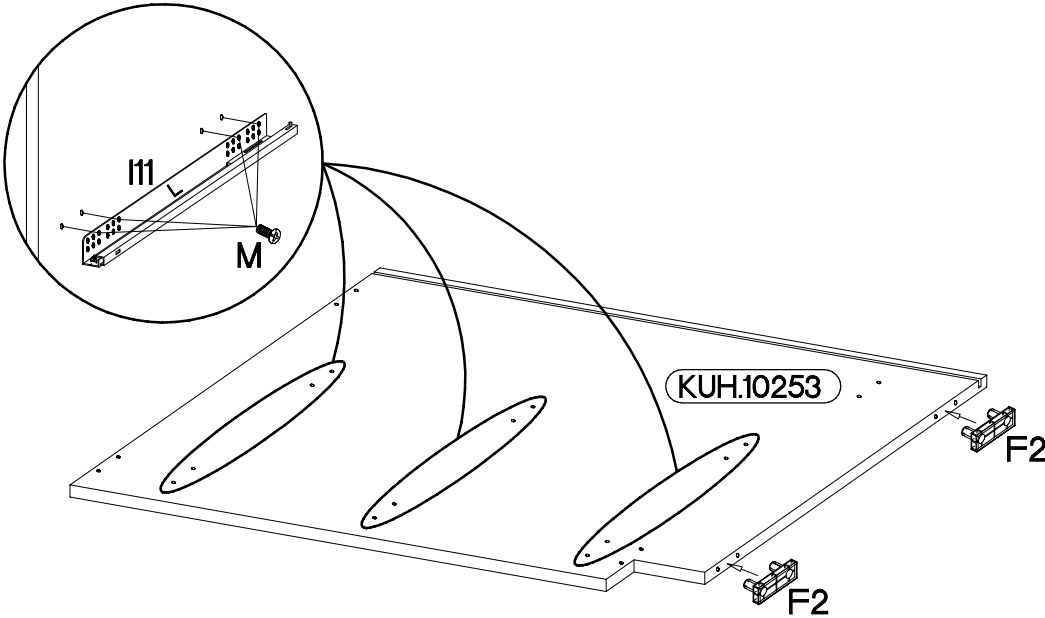
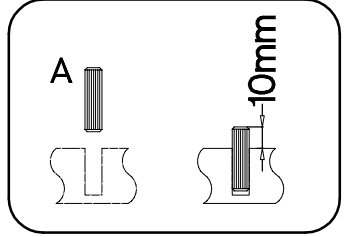
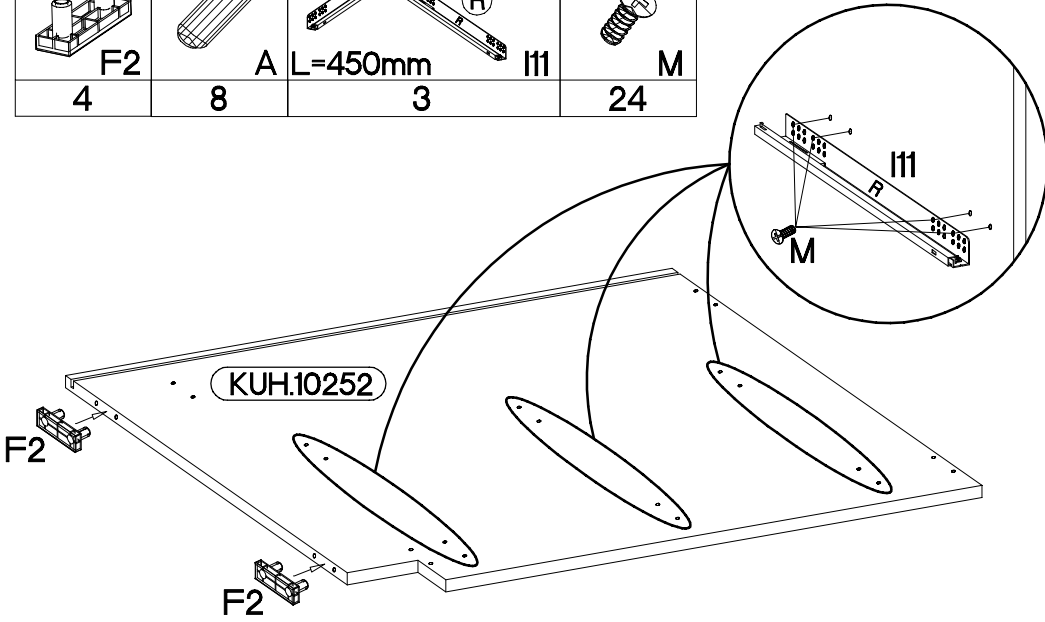
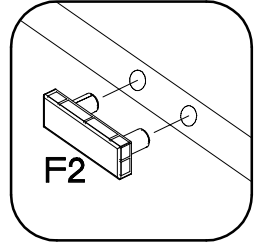
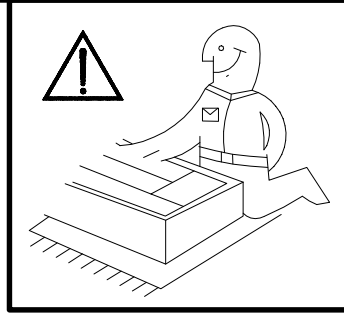
6



0,05  O11 1

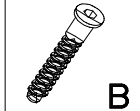


6.5x48x16  F2 4	+8x30mm  A 8	L  L=450mm R  I11 3	+5.0x13mm  M 24
--	---	--	--



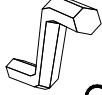
8

6,4 x 50mm



B

4



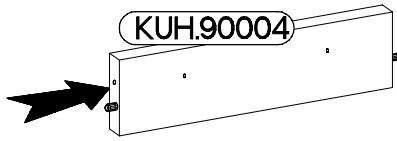
O

1

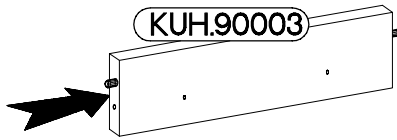


E1

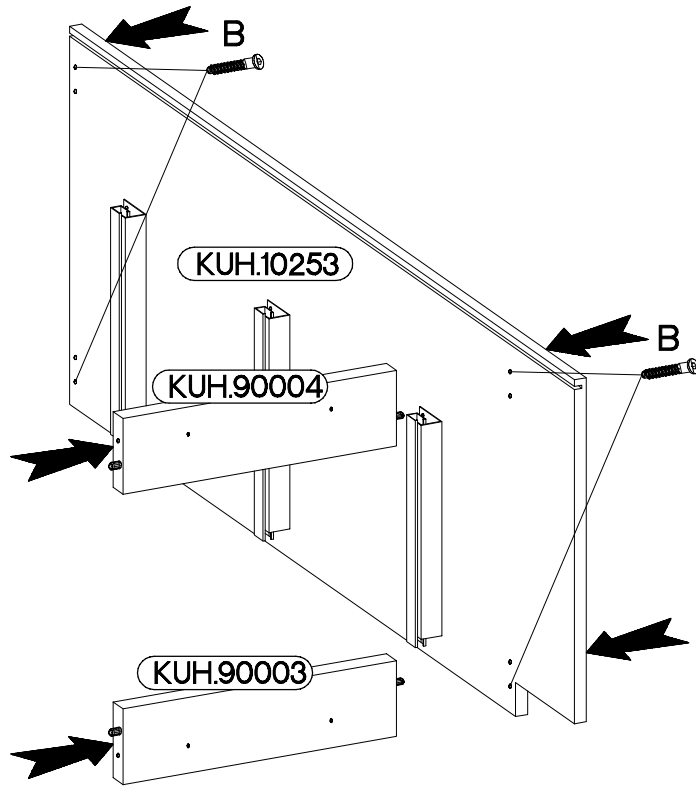
4



KUH.90004



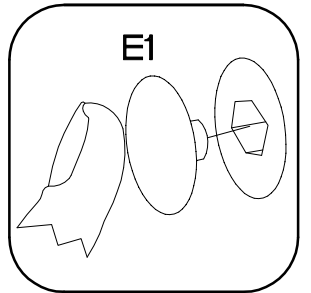
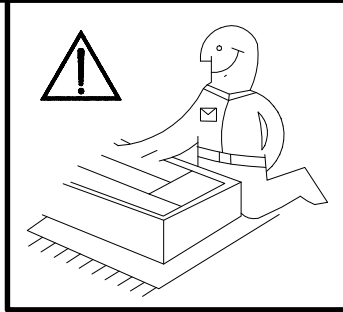
KUH.90003



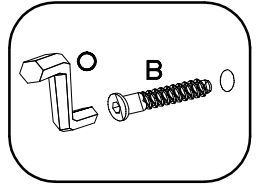
KUH.10253

KUH.90004

KUH.90003

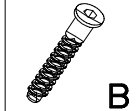


E1



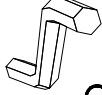
9

6,4 x 50mm



B

4



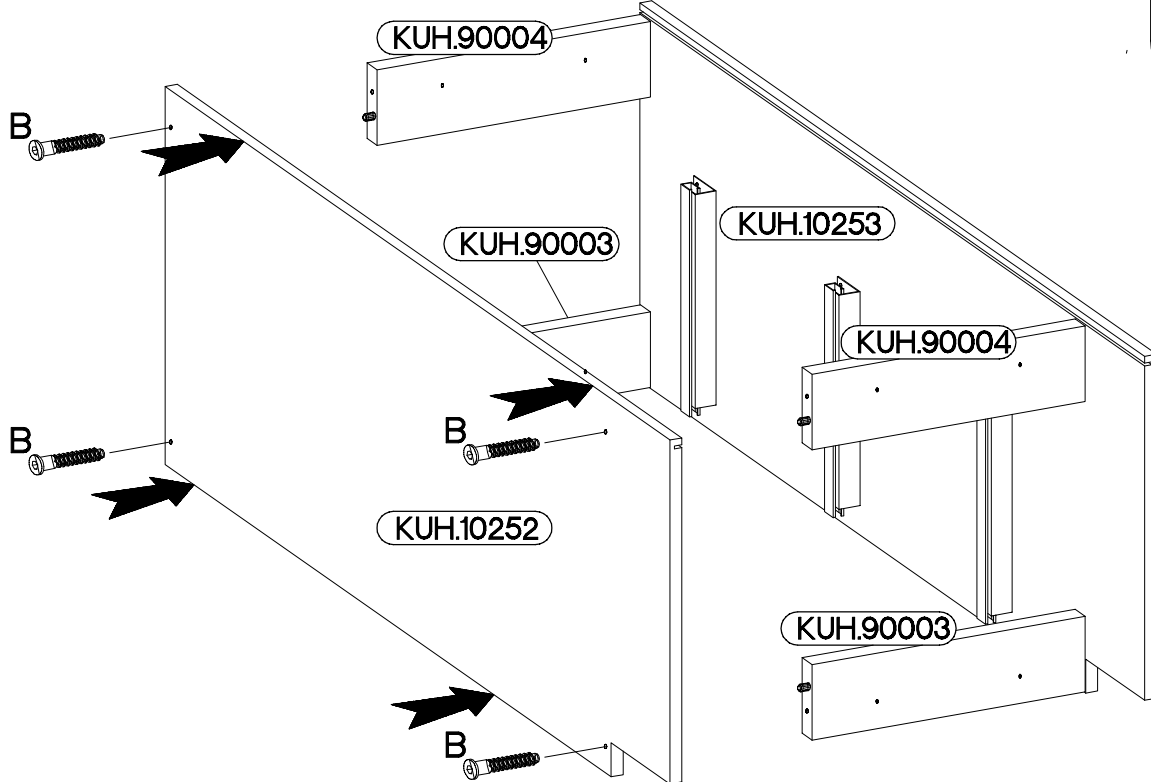
O

1



E1

4



KUH.90004

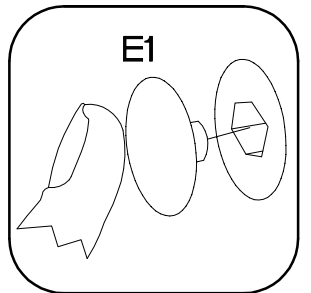
KUH.90003

KUH.10253

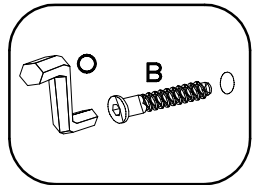
KUH.90004

KUH.10252

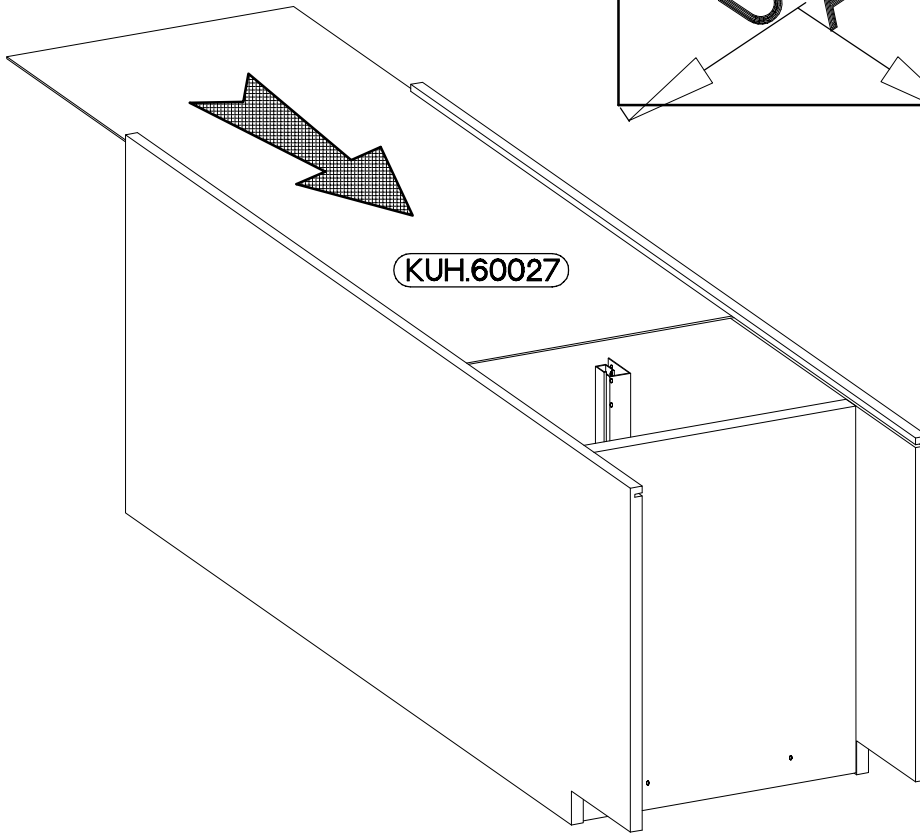
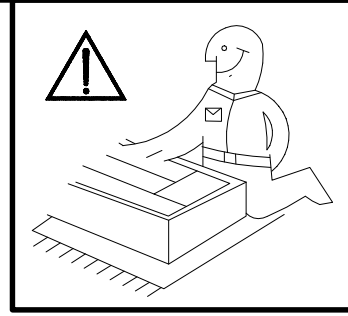
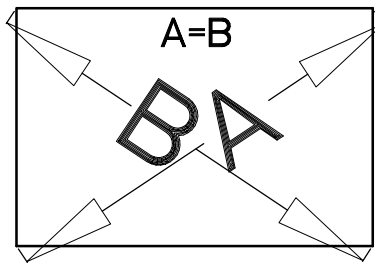
KUH.90003




E1

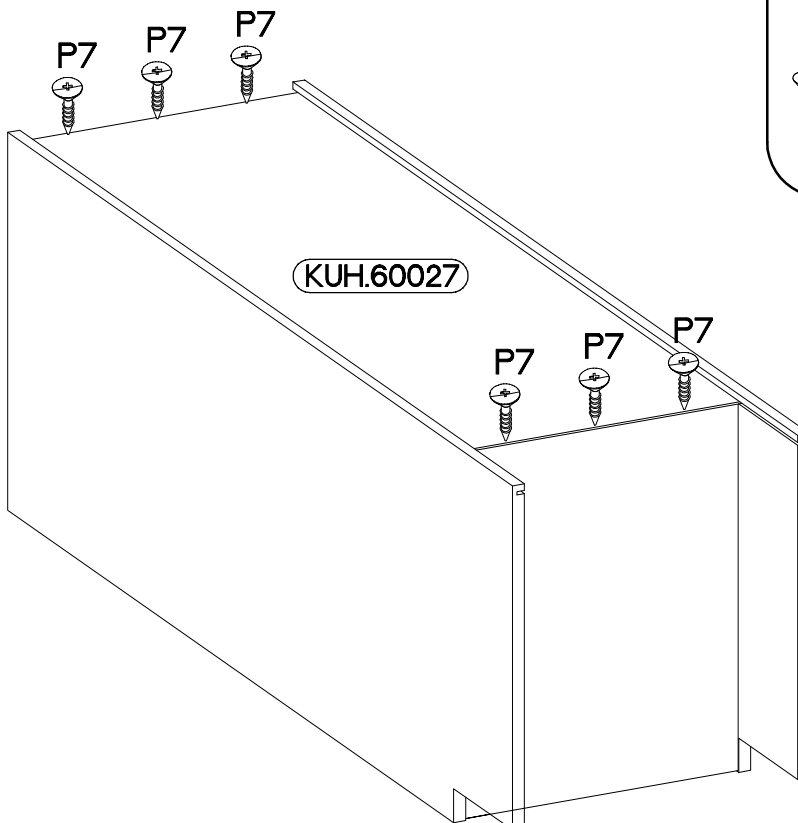
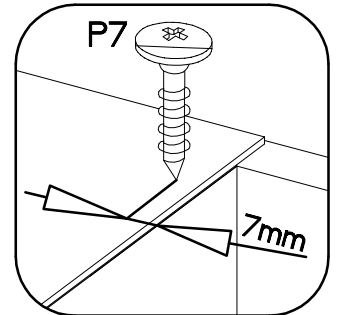
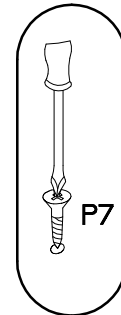


10





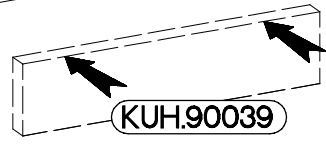
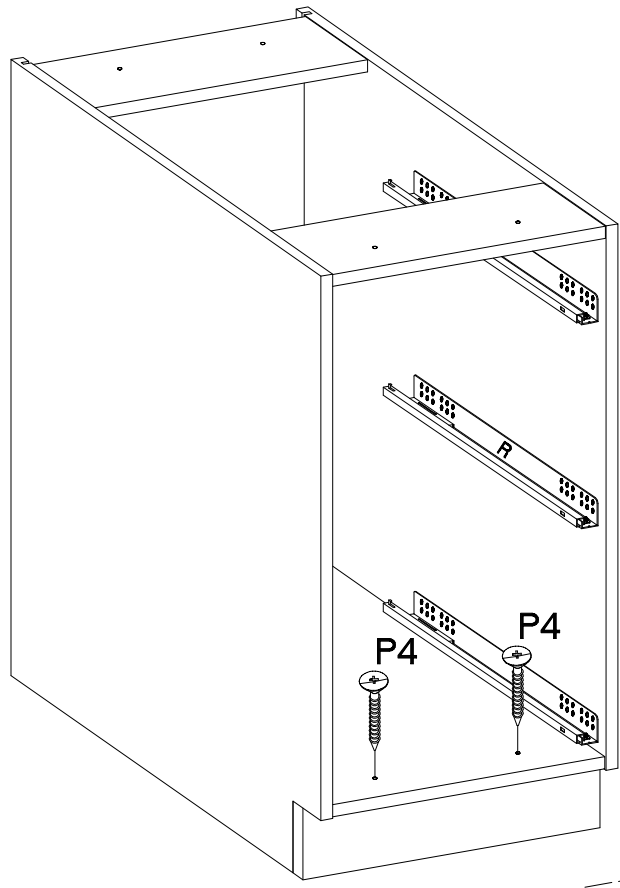
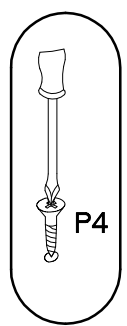
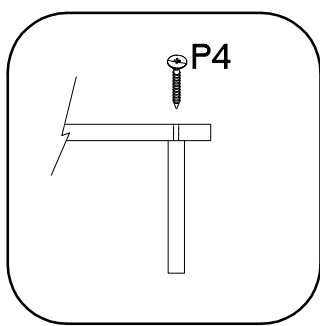
11

φ3.0x20mm

 P7
 8-10




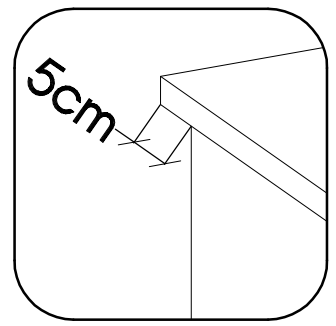
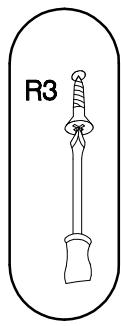
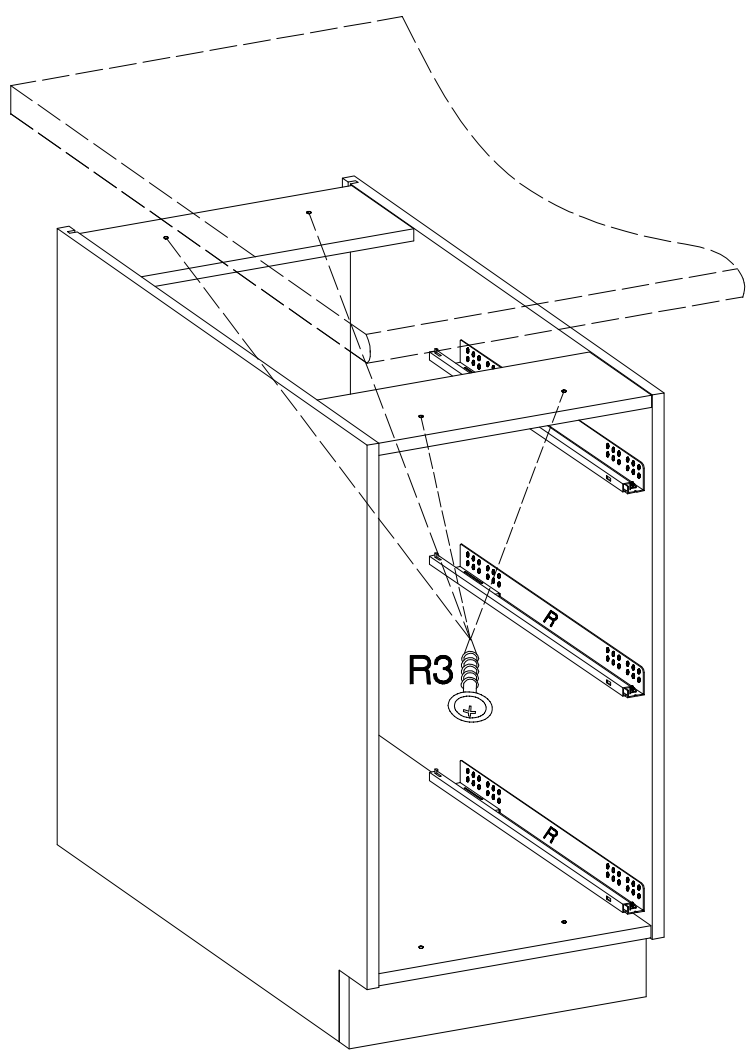
12



4.0x45mm	
	E9
P4	
2	2

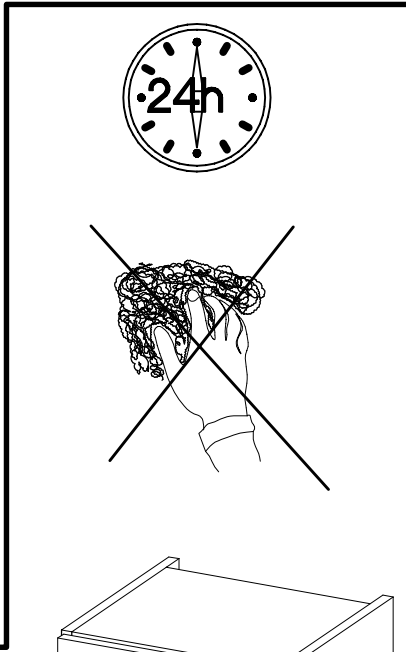
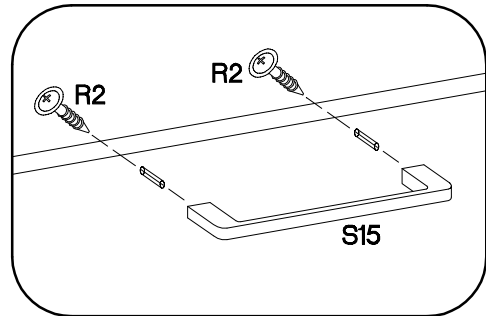
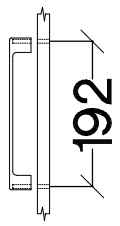
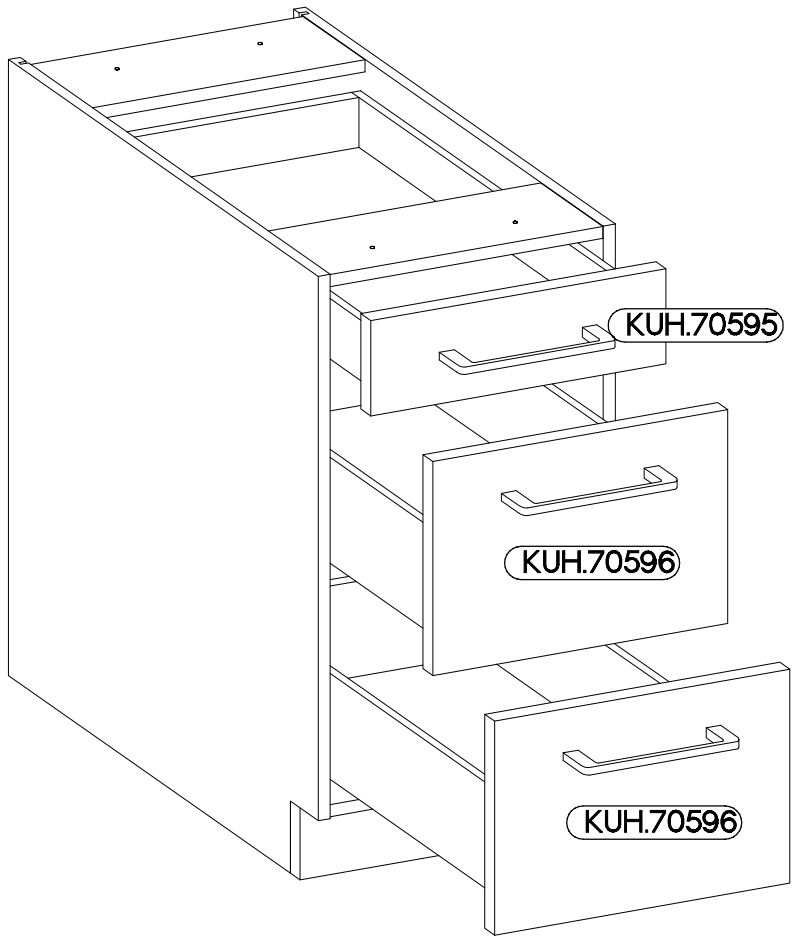
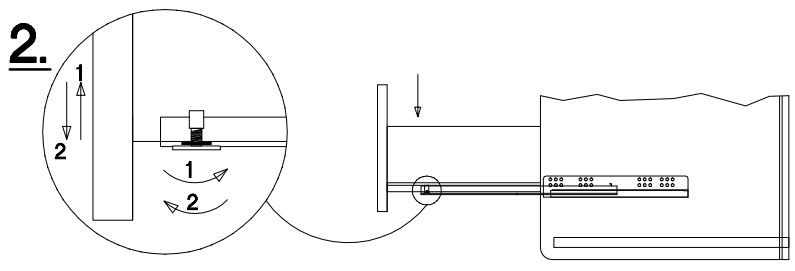
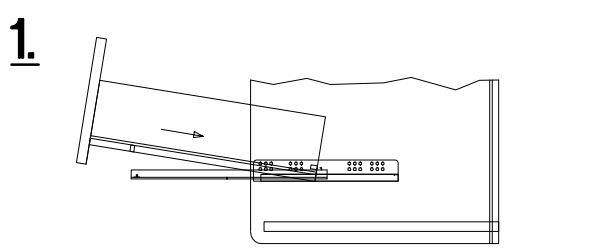


13

4.0x35mm	
R3	
4	



4.0x30mm	
	
R2	S15
6	3



VARIANT HIGH GLOSS

