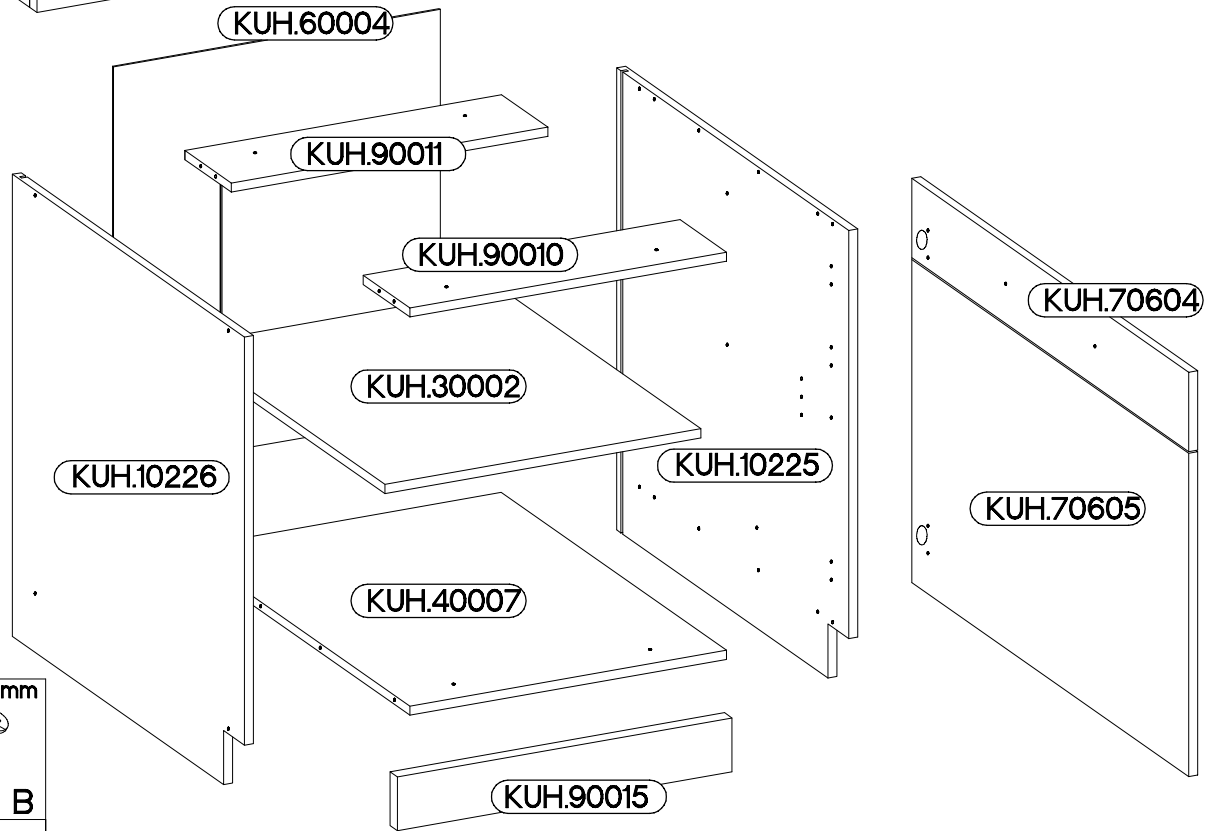
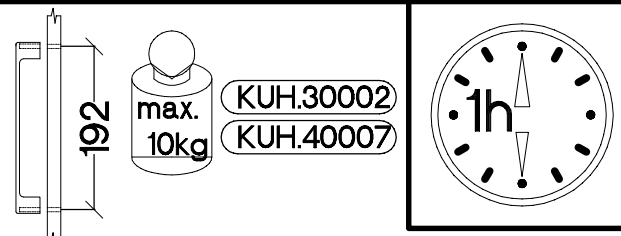
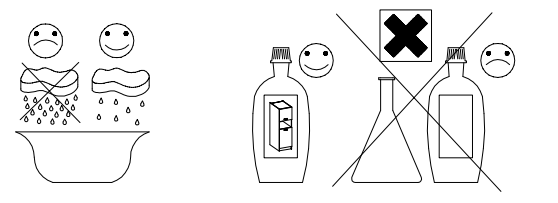
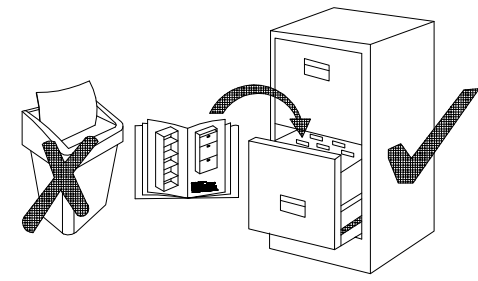


60 D 1F BB



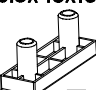
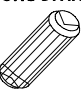
<p>8x30mm</p> <p>A</p>	<p>6.4 x 50mm</p> <p>B</p>
8	8

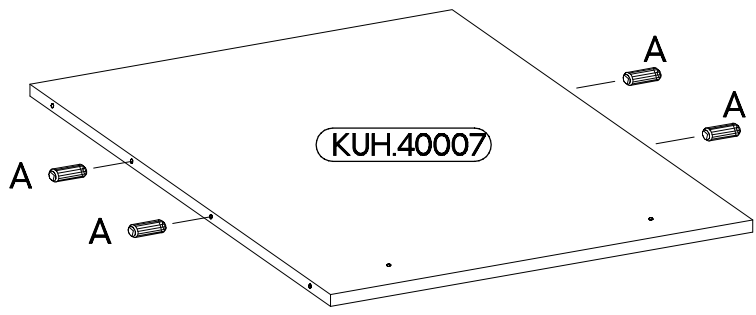
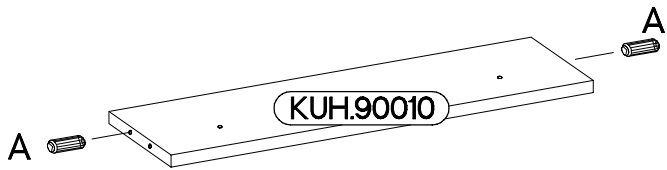
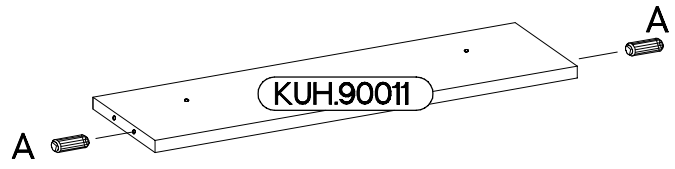
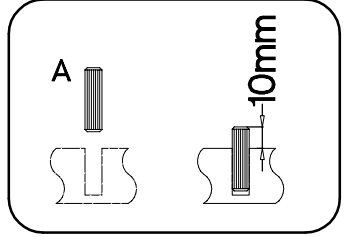
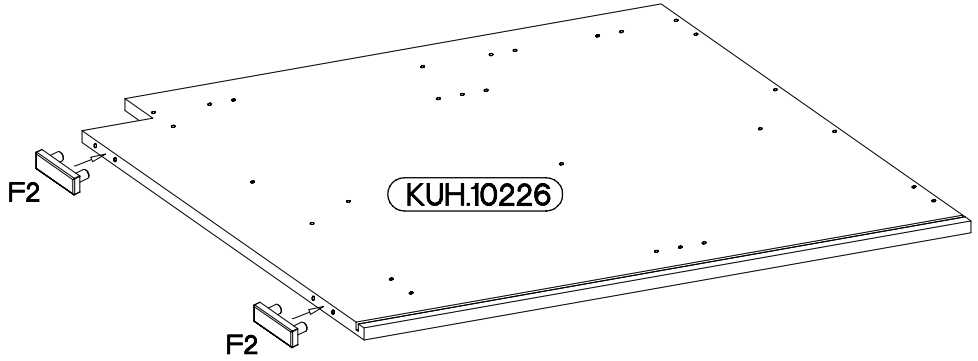
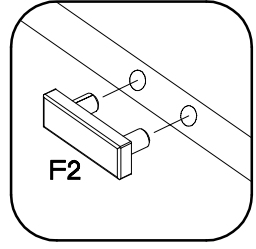
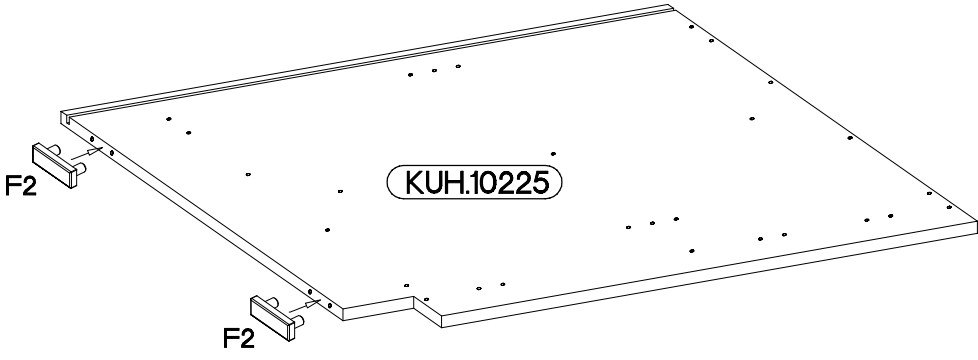
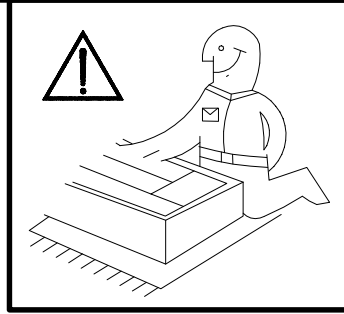
<p>E1</p>	<p>E9</p>	<p>6.5x48x16</p> <p>F2</p>	<p>35/0mm</p> <p>HG</p>	<p>5/19mm</p> <p>J</p>	<p>K28</p>	<p>K29</p>
8	2	4	2	4	2	1
<p>O</p>	<p>4.0x45mm</p> <p>P4</p>	<p>3.5x13mm</p> <p>P5</p>	<p>3.0x20mm</p> <p>P7</p>	<p>4.0x30mm</p> <p>R2</p>	<p>4.0x35mm</p> <p>R3</p>	<p>S15</p>
1	2	8	8-10	2	4	1



ISM-KUH-00979

1

6.5x48x16  F2 4	+8x30mm  A 8
--	---



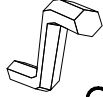
2

6,4 x 50mm



B

4



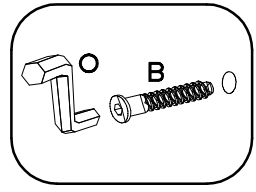
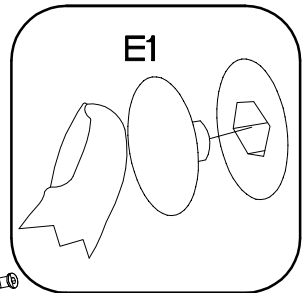
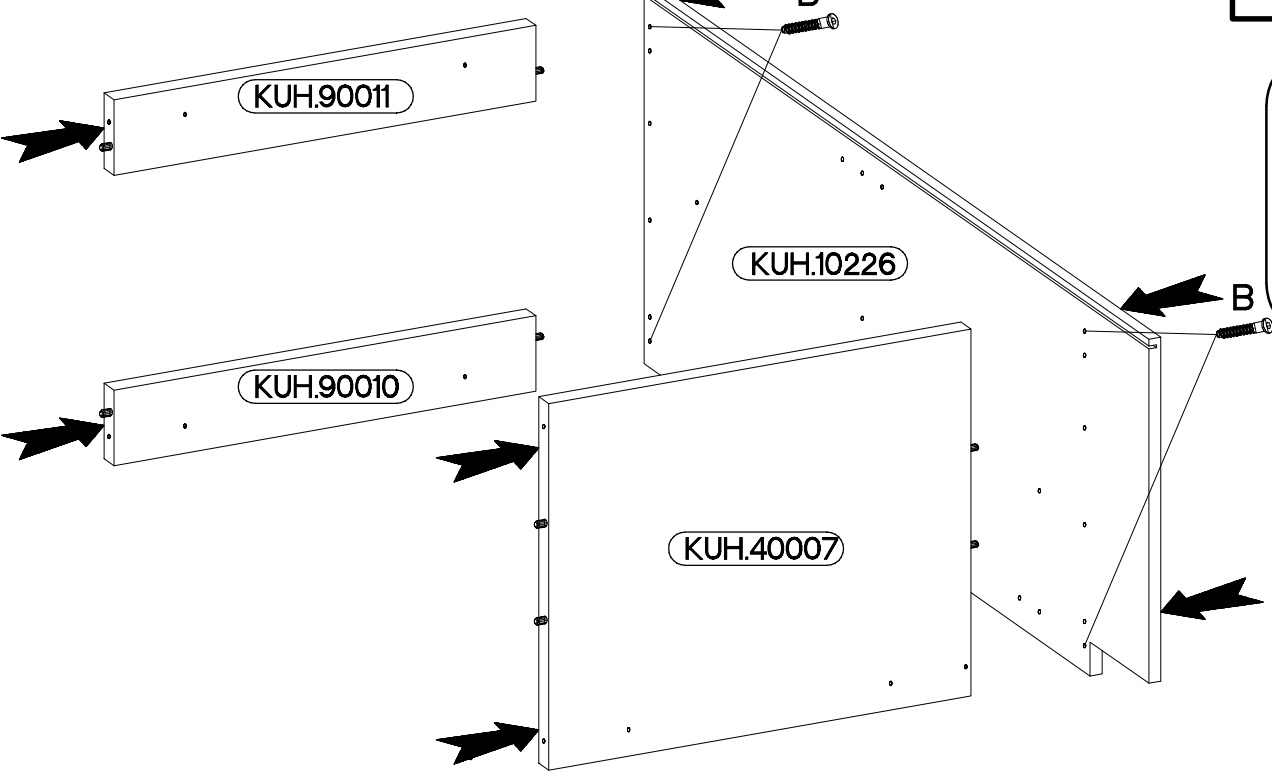
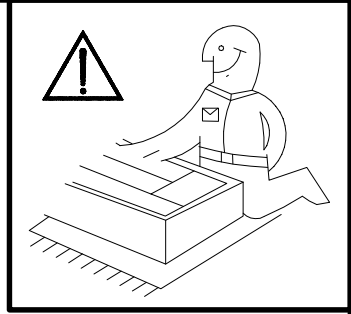
O

1



E1

4



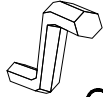
3

6,4 x 50mm



B

4



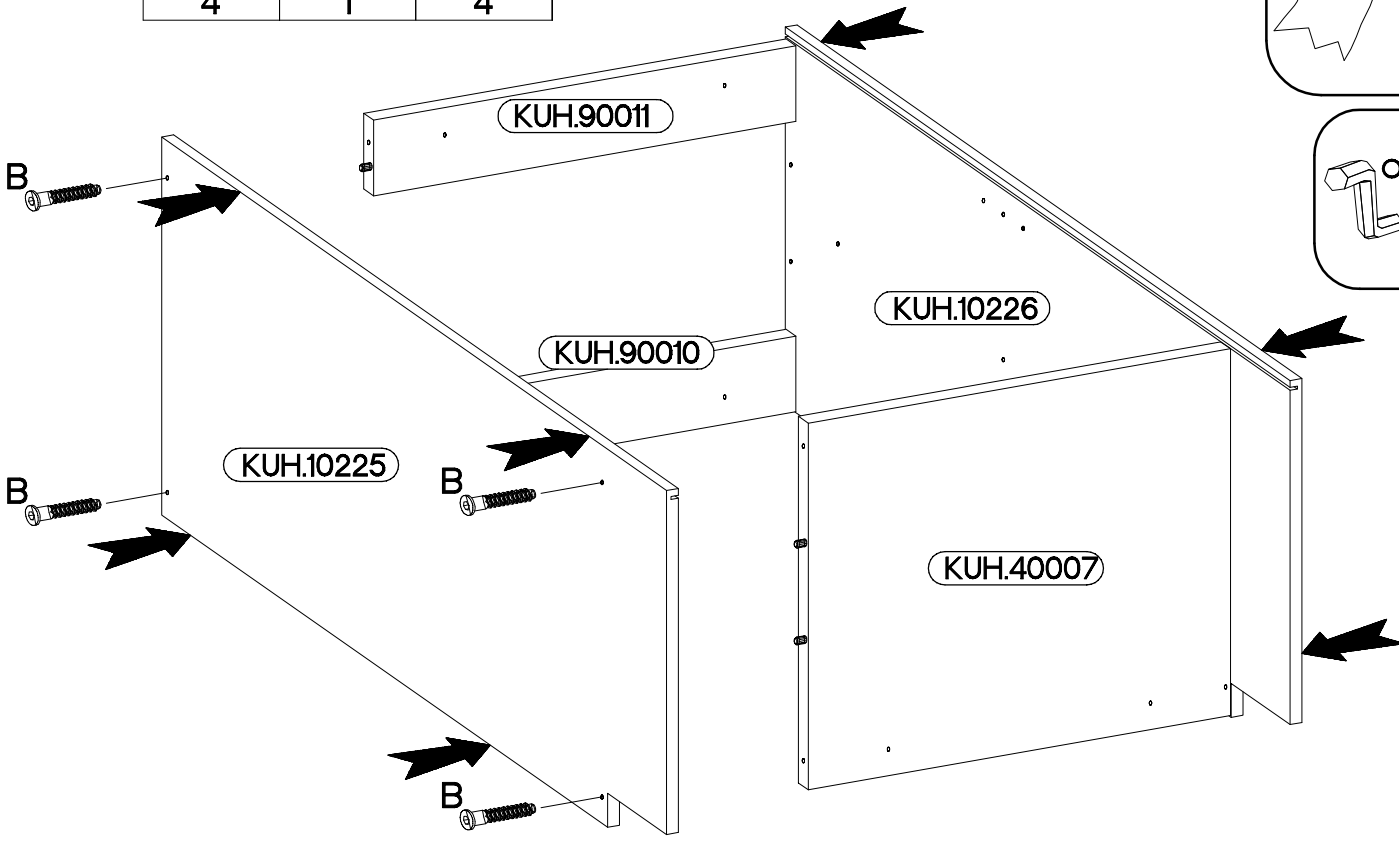
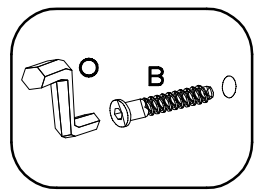
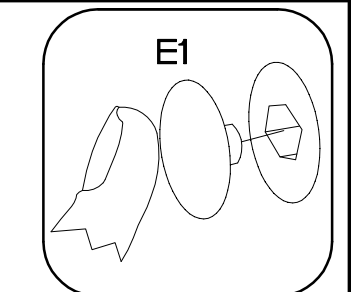
O

1

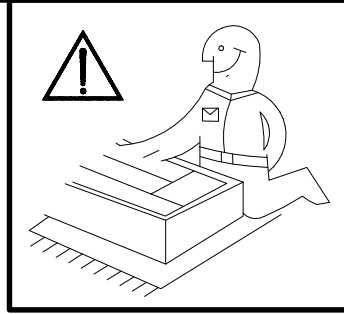
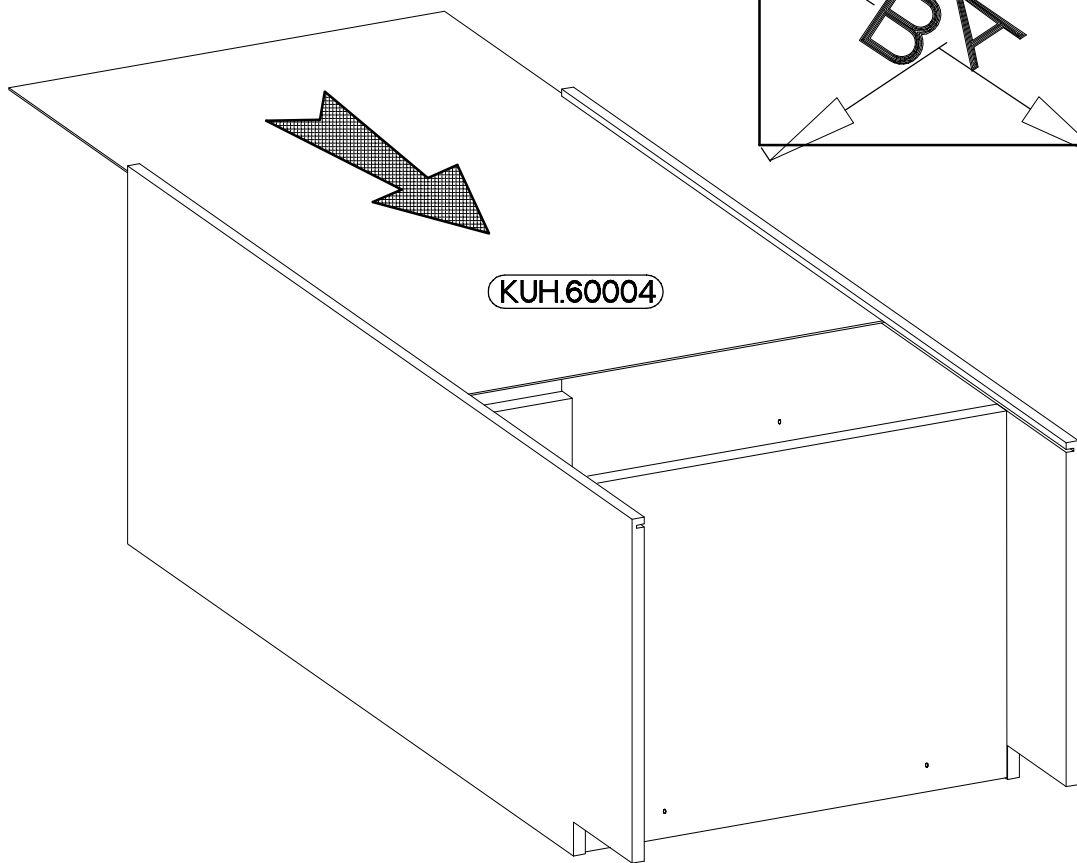


E1


4

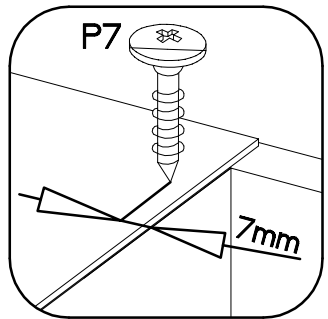
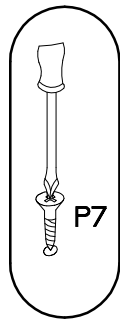
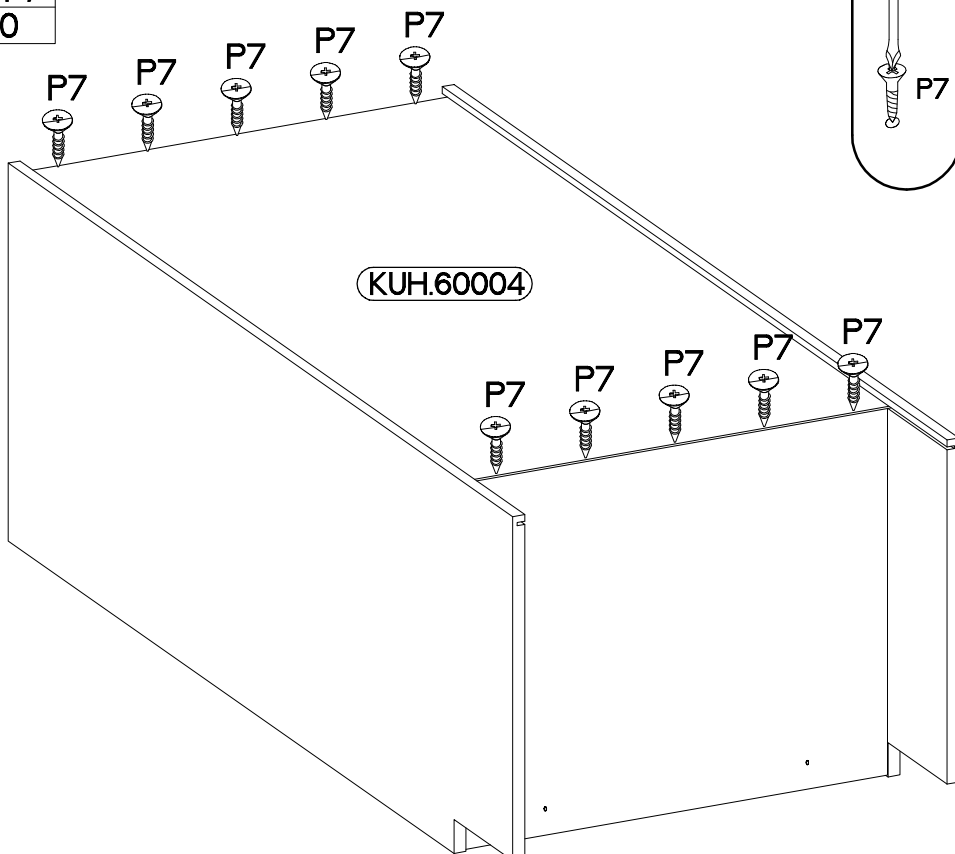


4



5

$\varnothing 3.0 \times 20 \text{mm}$

 P7
 8-10



6

±4.0x45mm



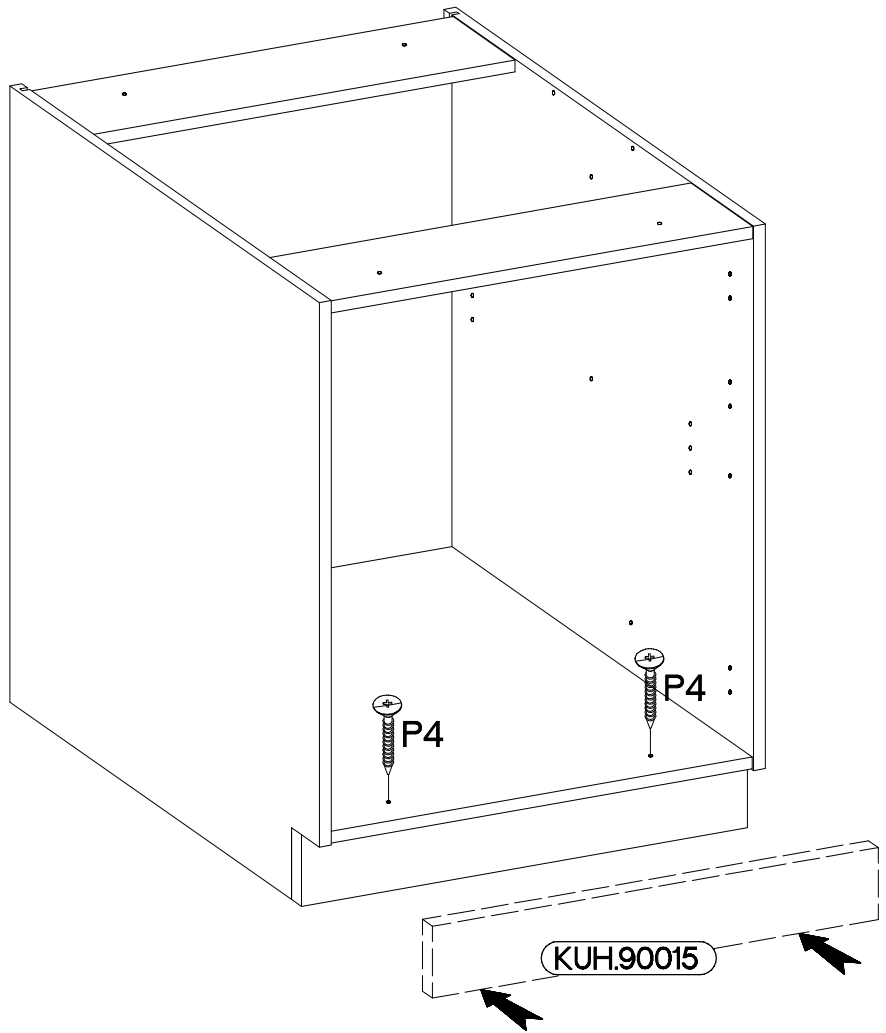
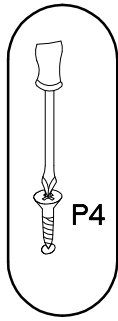
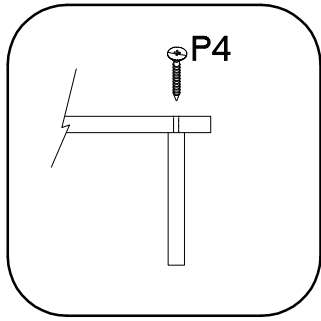
P4

2



E9

2



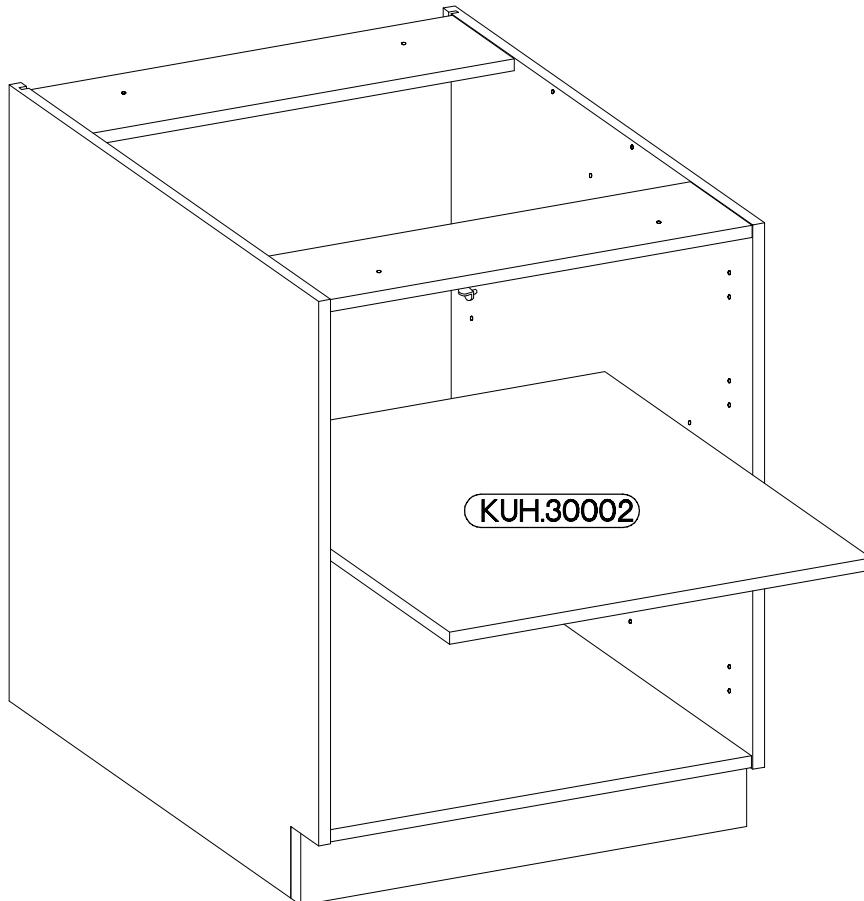
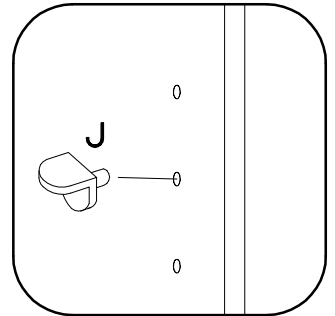
7

±5/19mm



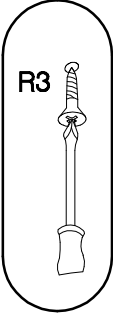
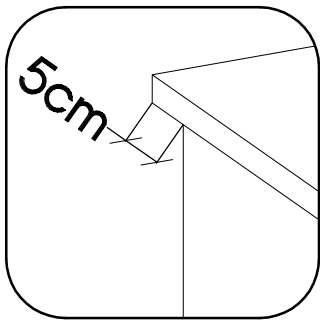
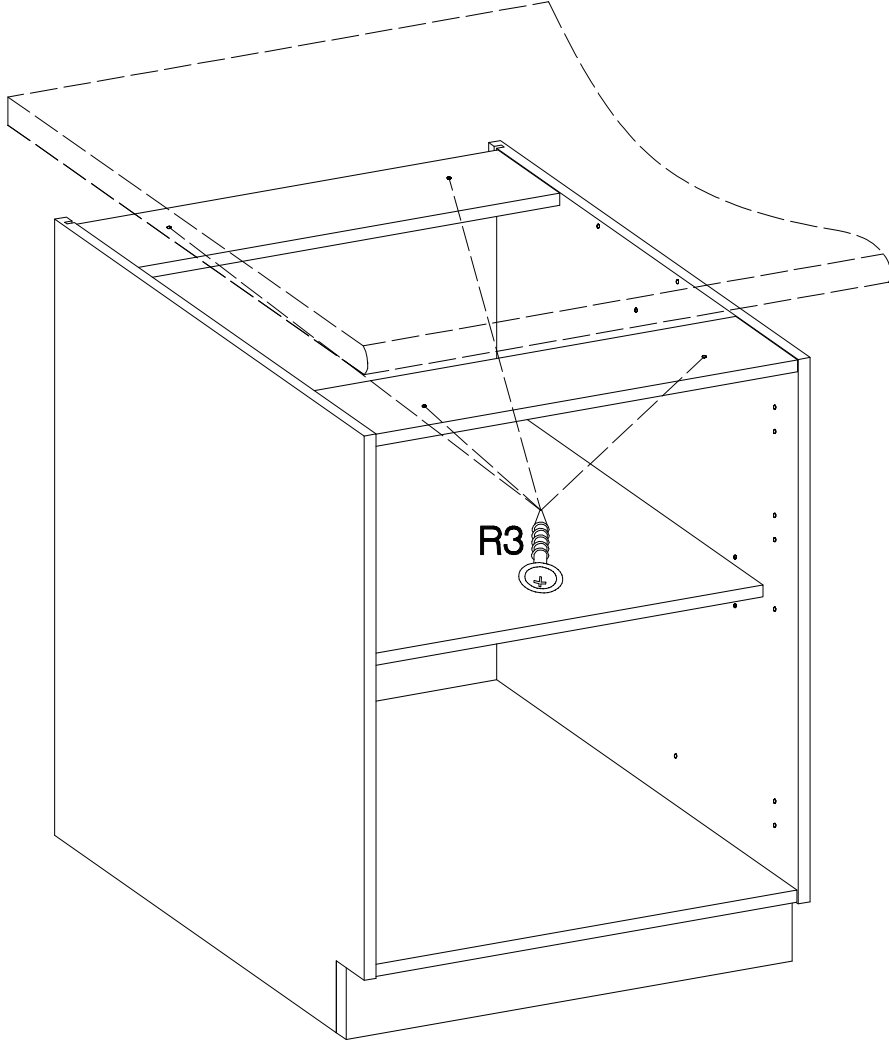
J

4



8

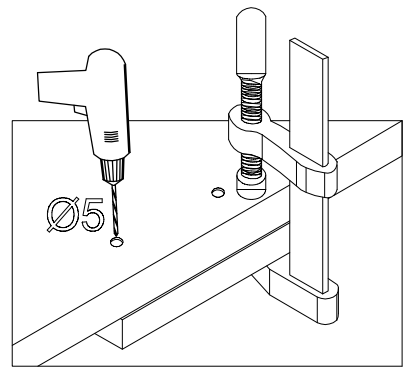
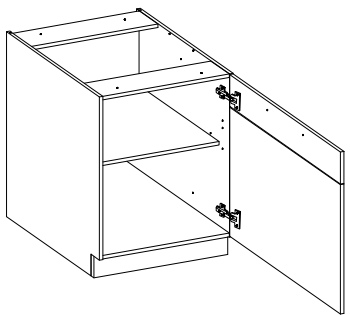
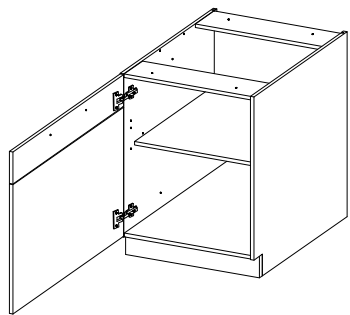
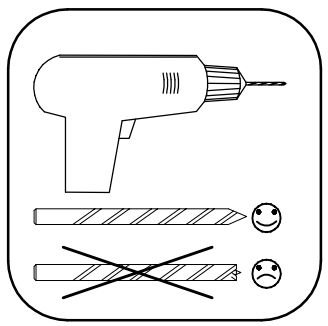
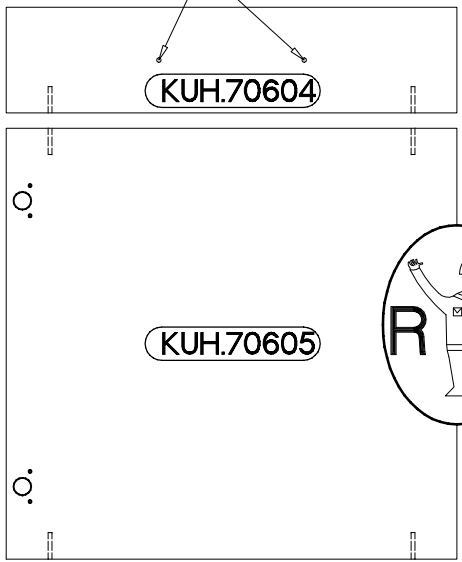
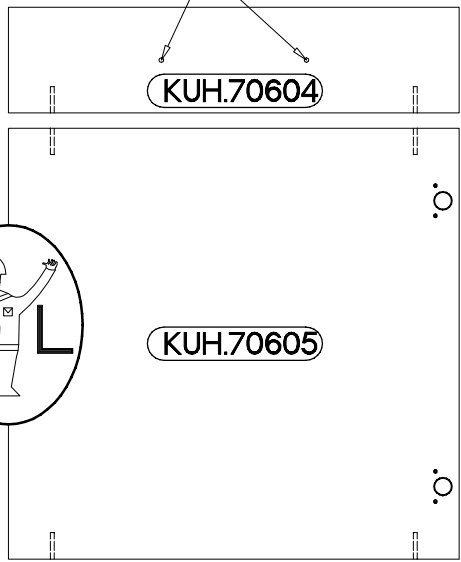
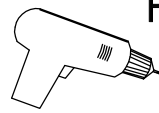
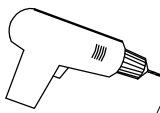
4.0x35mm
R3
4



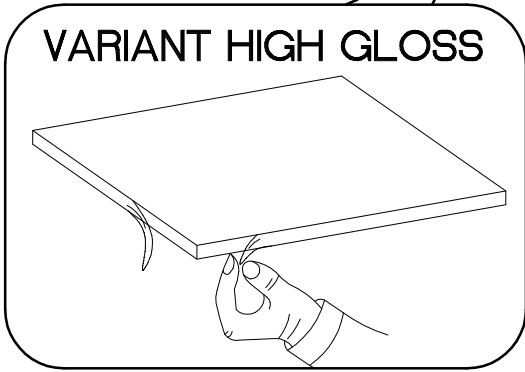
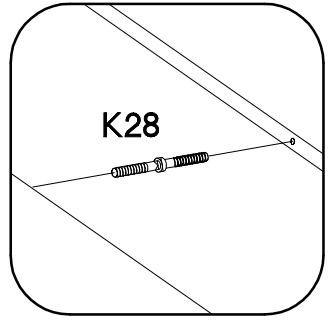
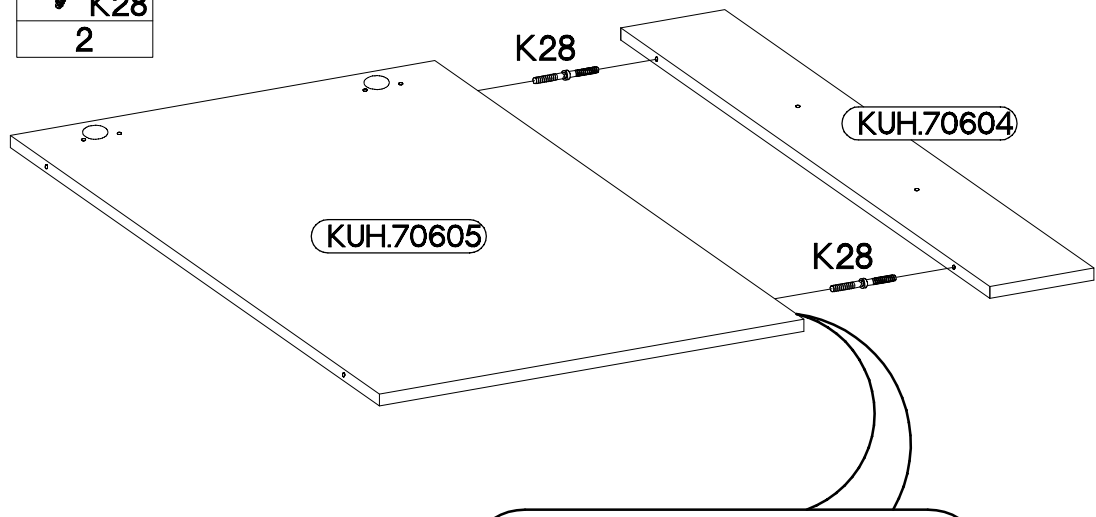
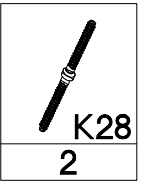
9

LEFT

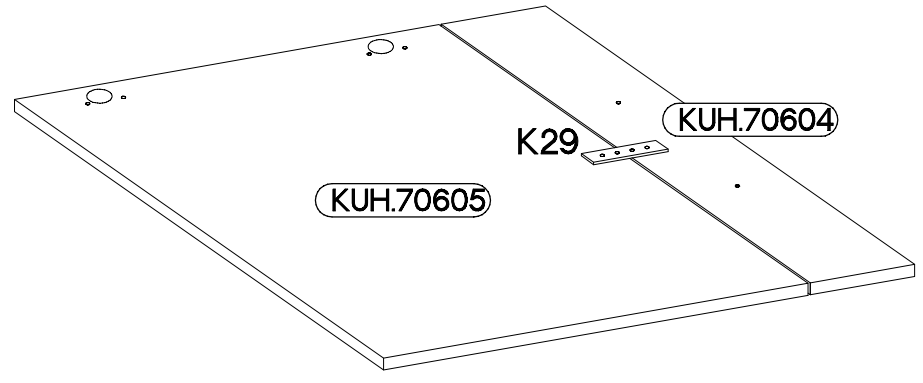
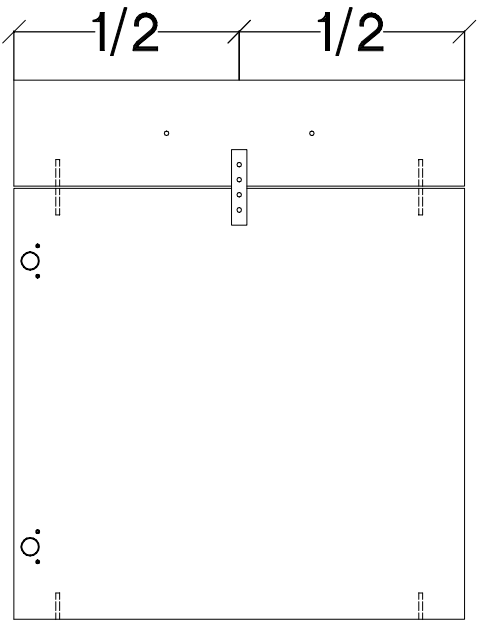
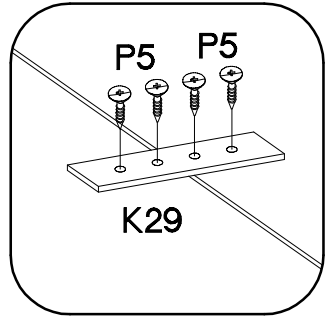
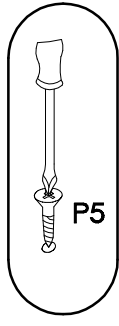
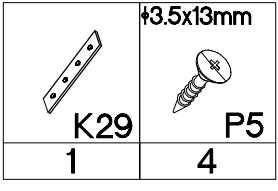
RIGHT



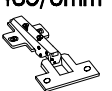

10

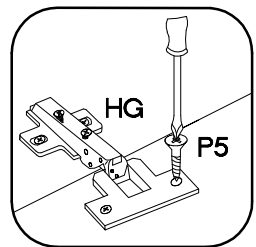
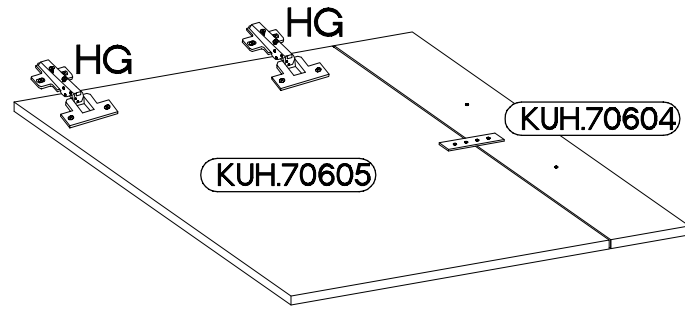
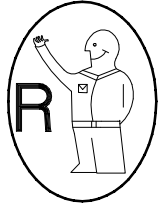


11





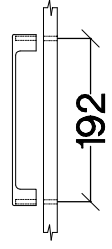
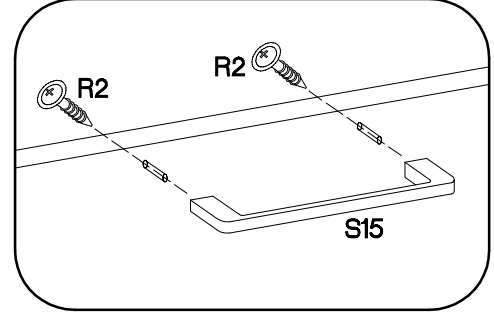
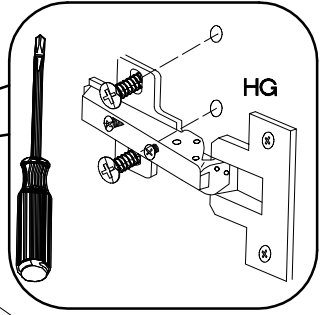
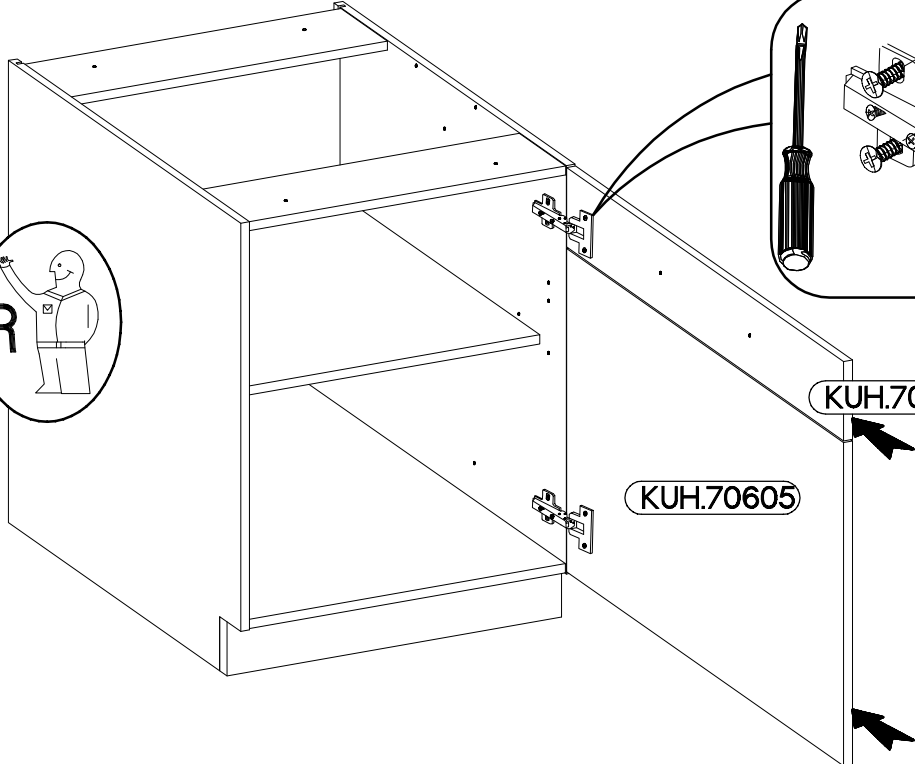
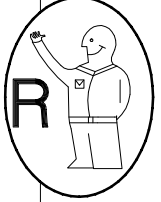
12

±35/0mm	±3.5x13mm
	
HG	P5
2	4



13

±4.0x30mm	
	
R2	S15
2	1



VARIANT HIGH GLOSS

