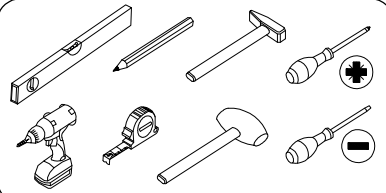
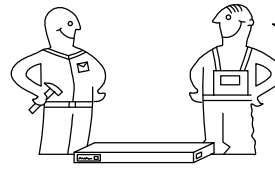
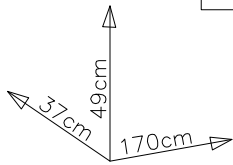
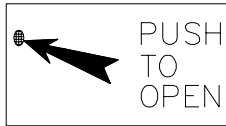
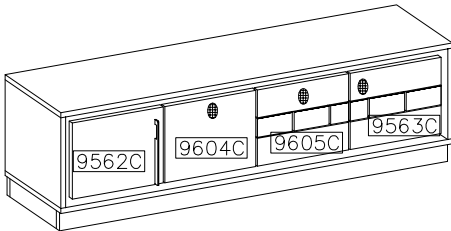


KEKS

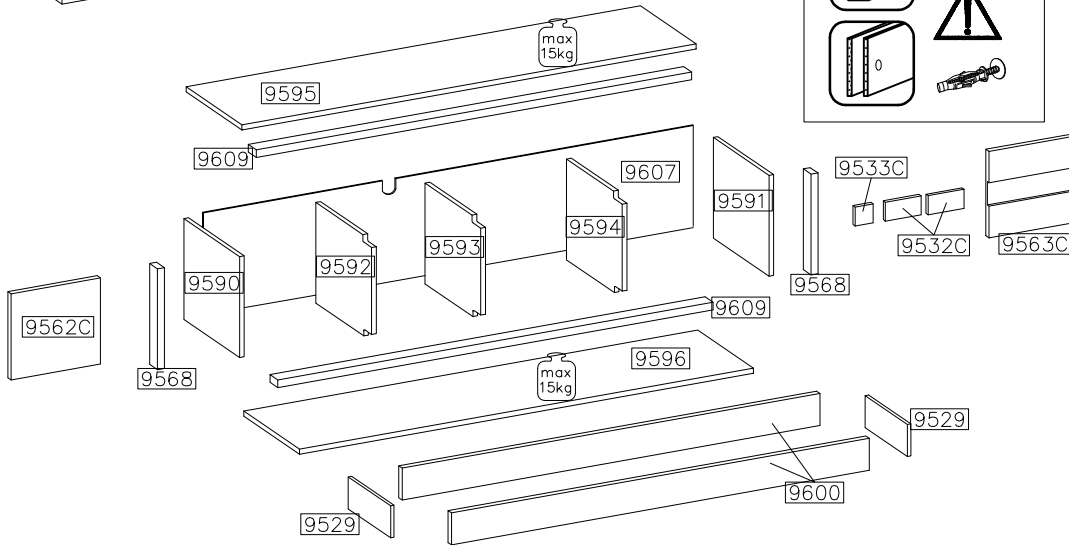
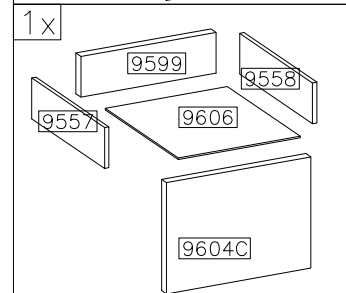
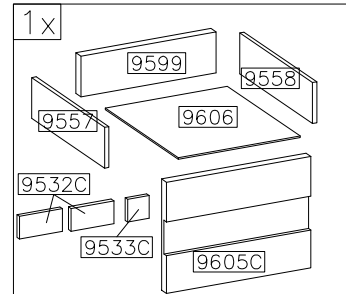
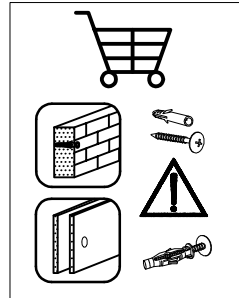
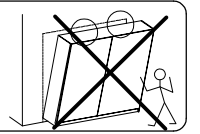
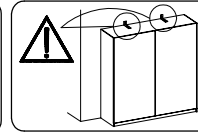
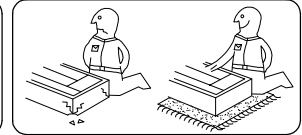
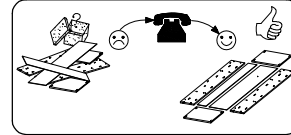
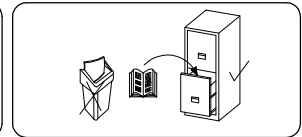
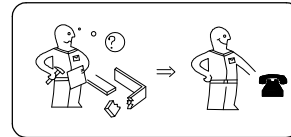
K4a



CASHMERE



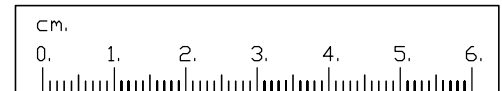
#	ART. NR	L	W	T	Q	Col.No
1	9590	354	370	16	1	1
2	9591	354	370	16	1	1
3	9592	354	330	16	1	1
4	9593	354	330	16	1	1
5	9594	354	330	16	1	1
6	9595	1700	370	16	1	2
7	9596	1700	370	16	1	2
8	9557	300	240	16	2	1
9	9558	300	240	16	2	1
10	9599	348	223	16	2	1
11	9600	1600	100	16	2	2
12	9529	298	100	16	2	1
13	9606	363	308	2,5	2	2
14	9607	1683	369	2,5	1	2
15	9568	354	80	25	2	1
16	9609	1617	80	25	2	2
17	9562C	314	407	16	1	3
18	9563C	314	407	16	1	3
19	9604C	314	400	16	1	3
20	9605C	314	400	16	1	3
21	9532C	153	60	6	4	3
22	9533C	84	60	6	2	3



$\varnothing 8 \times 30 \text{mm}$	$\varnothing 8 \times 20 \text{mm}$	$6,4 \times 50 \text{mm}$	$\varnothing 15/12 \text{mm}$			
A	A7	B	C	D1	E	E1
36	4	10	30	30	30	10
	$\varnothing 5.0 \times 13 \text{mm}$			$\varnothing 3.5 \times 16 \text{mm}$		$\varnothing 3.0 \times 20 \text{mm}$
O	P9	L	N	P4	U	P7
1	16	10	1	2	8	4
$\varnothing 35 / \text{KR}-8$	$\varnothing 4.0 \times 35 \text{mm}$		$\varnothing 3.0 \times 16 \text{mm}$			
G8	P20	F8	P1	F1	PR2	
4	12	9	21	10	2SET	

CASHMERE

$3.0 \times 13 \text{mm}$		$\varnothing 3.5 \times 16 \text{mm}$
P13	C5	P4
12	2	4
L-288	$\varnothing 4.0 \times 27 \text{mm}$	$50 \times 8 \times 8 \text{mm}$
S1	R7	M2
1	3	2



1



D1

4

∅8x30mm

∅15/12mm



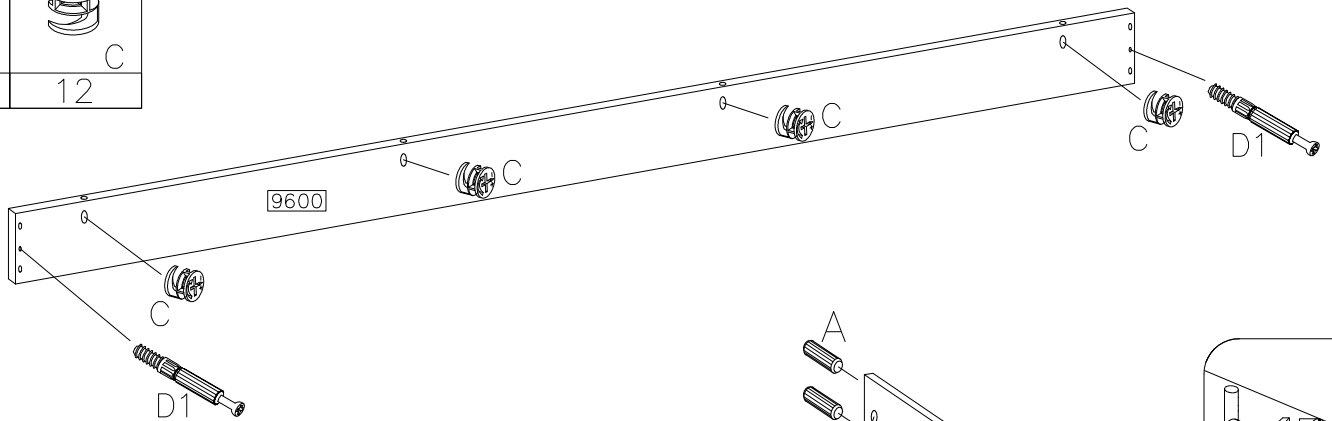
A



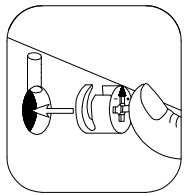
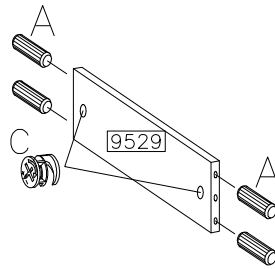
C

8

12



2x

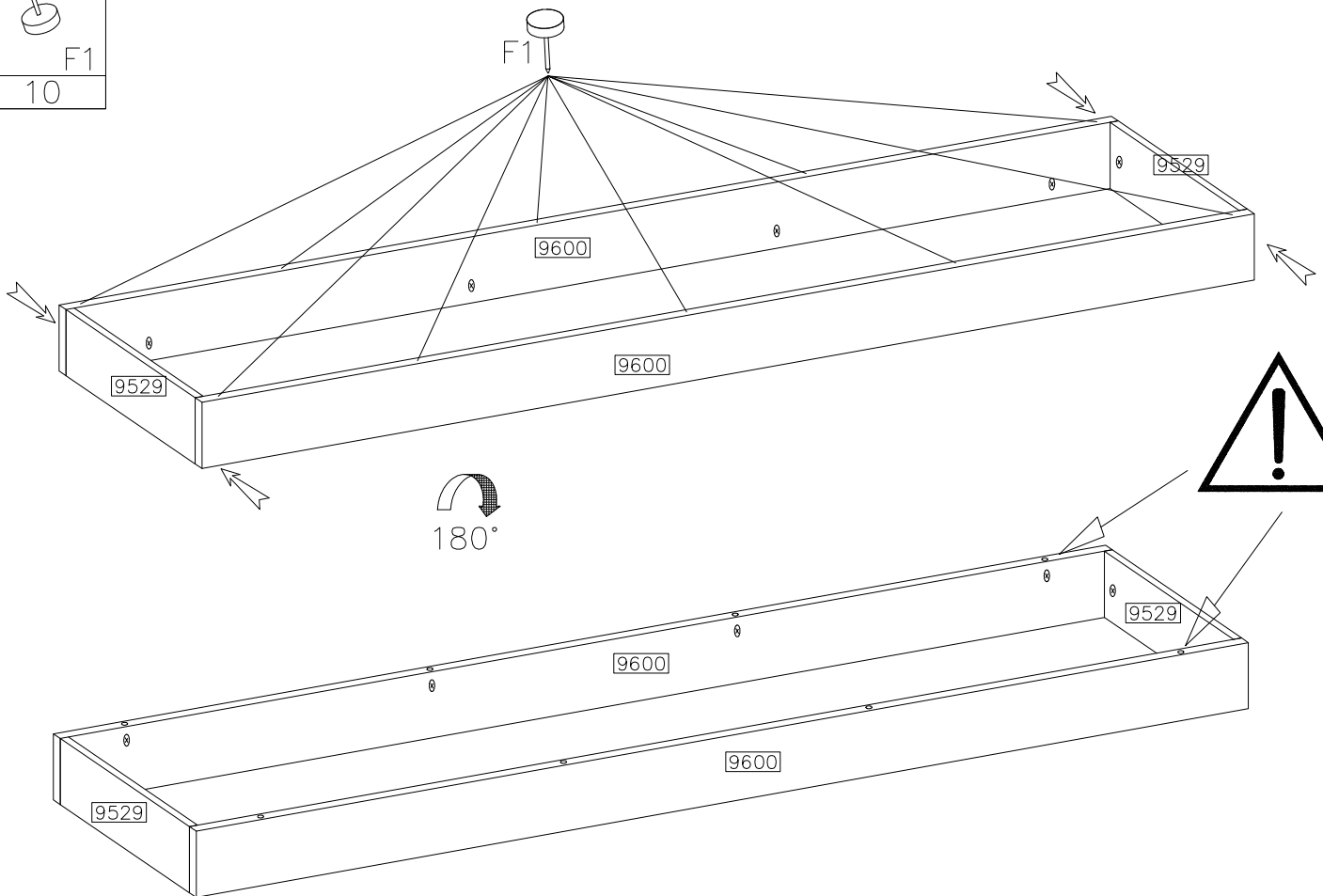
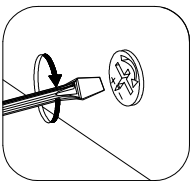


2

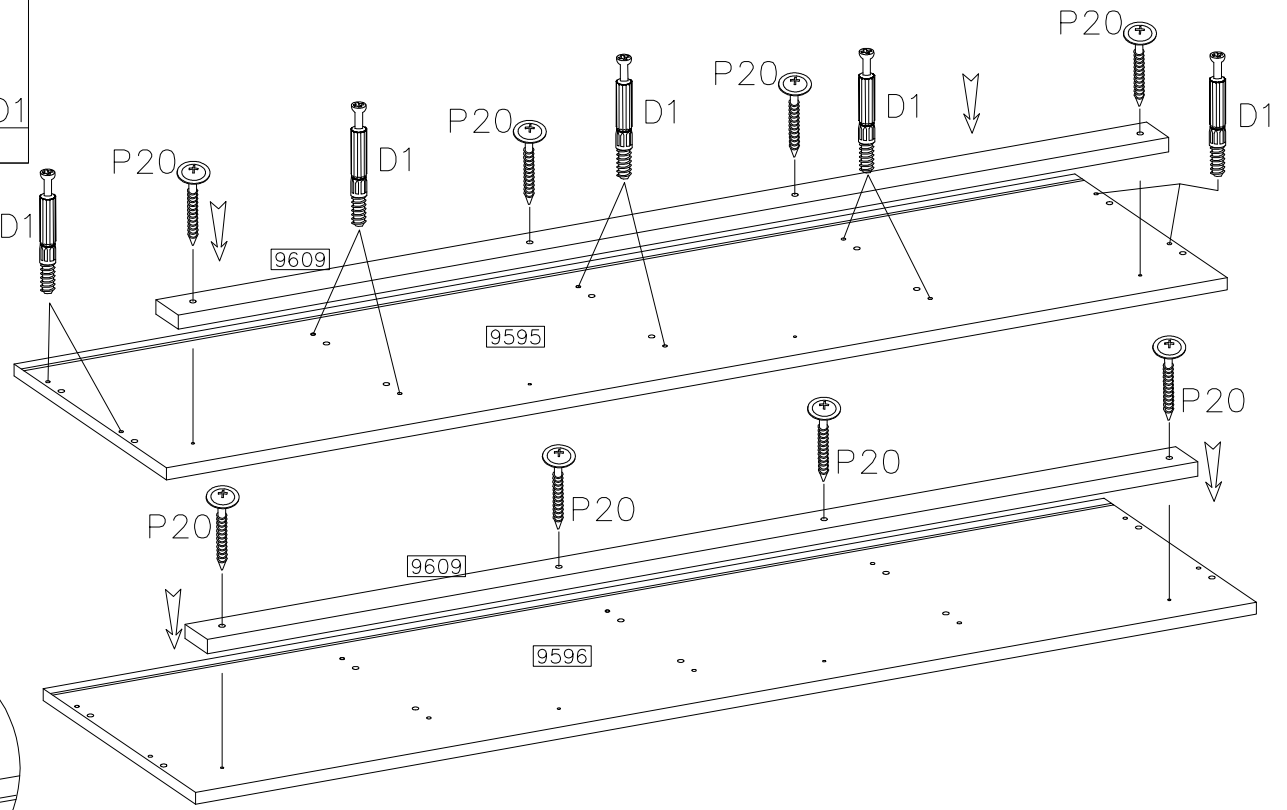
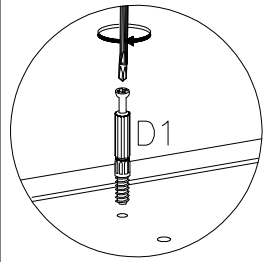
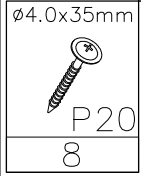
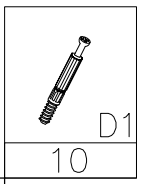


F1

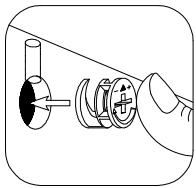
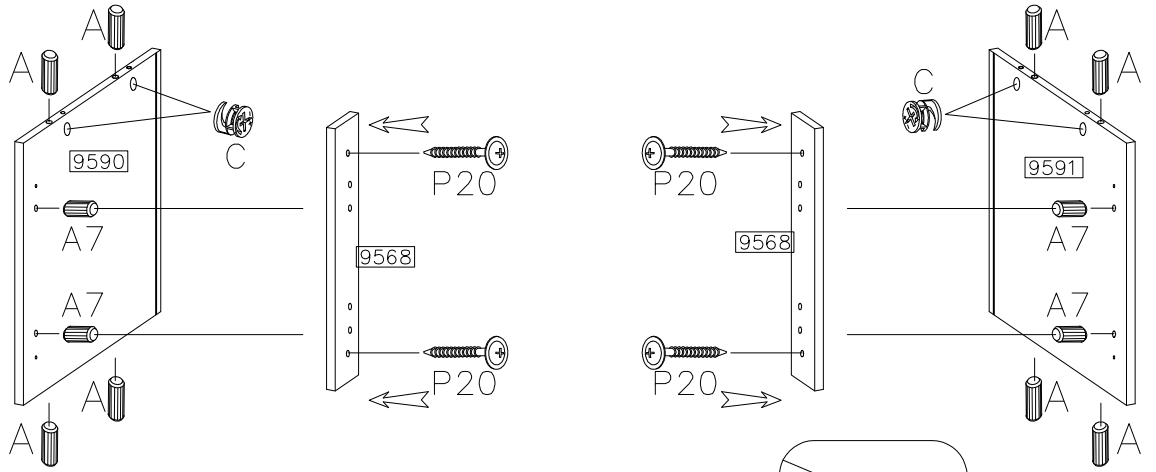
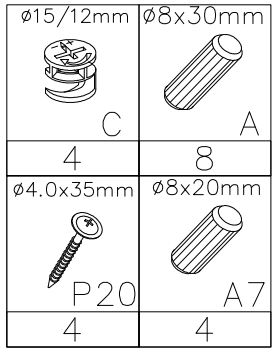
10



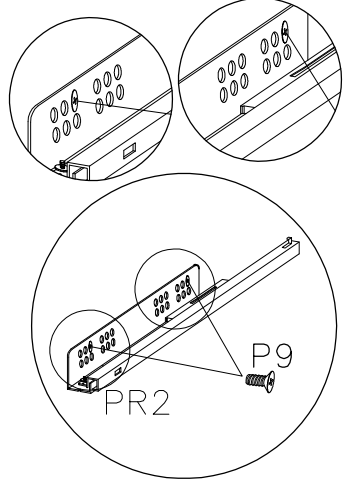
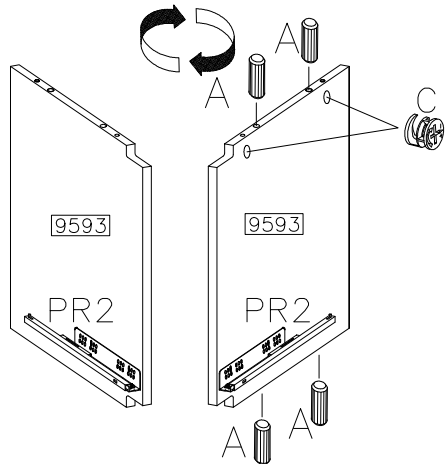
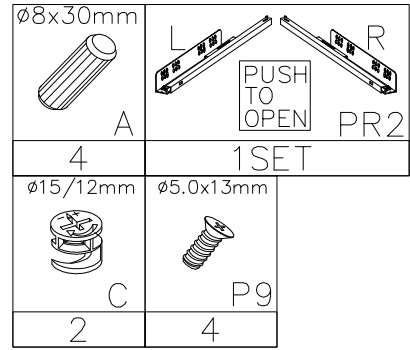
3



4



5



6

∅8x30mm



A

8

∅15/12mm

∅5.0x13mm



C



P9

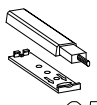
4

4



PUSH TO OPEN PR2

1SET



C5

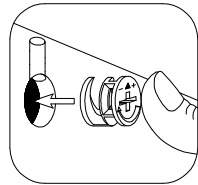
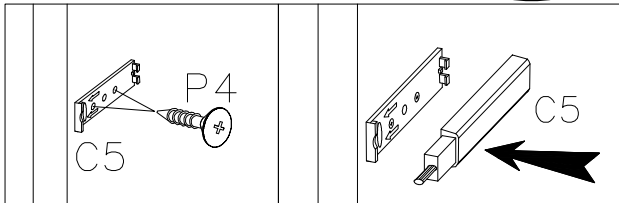
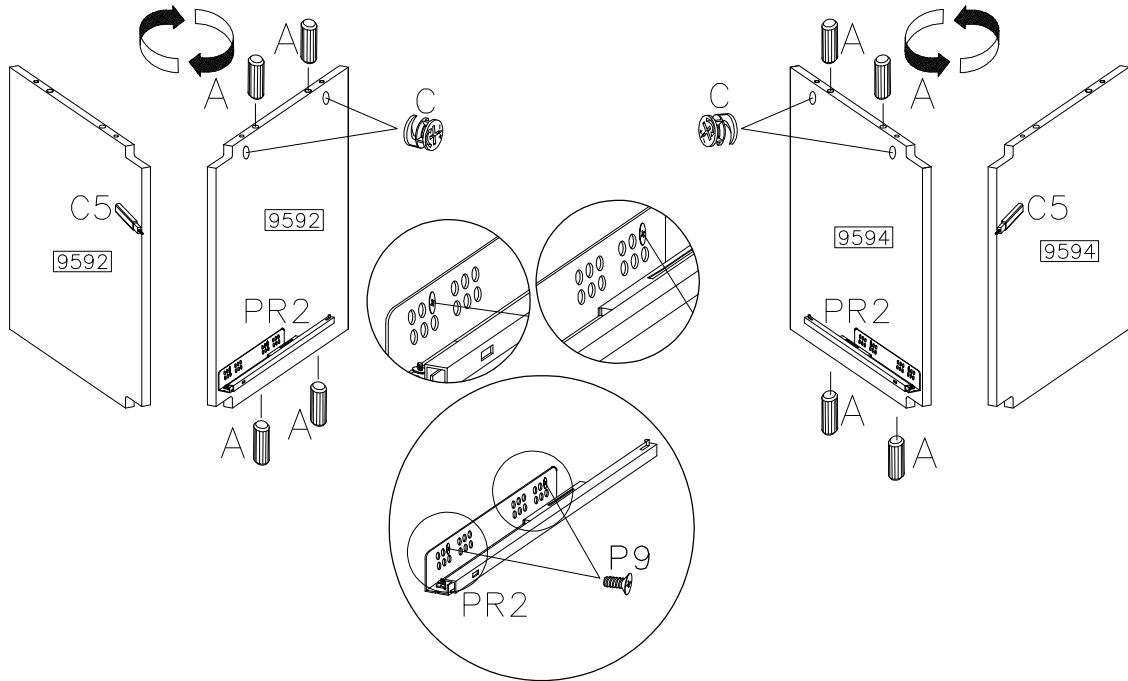
∅3.5x16mm



P4

2

4



7



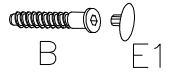
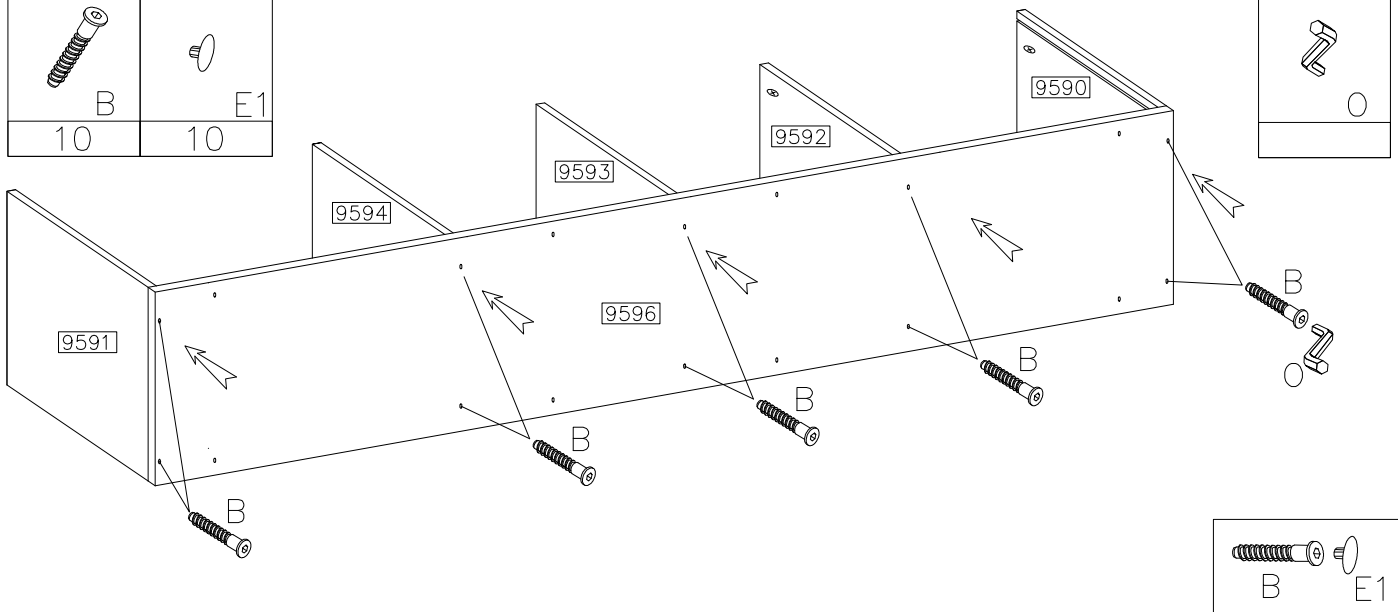
B

10

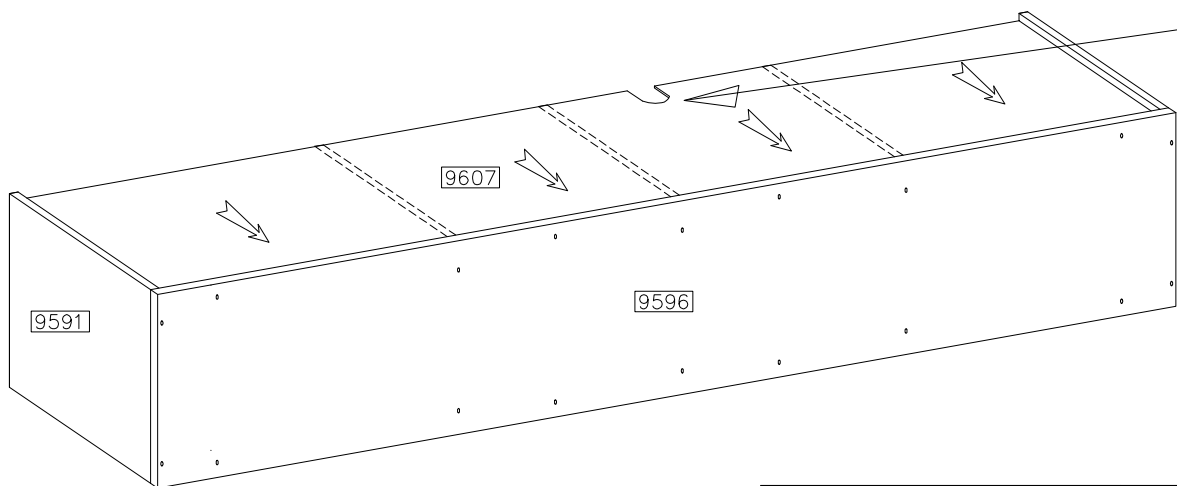


E1

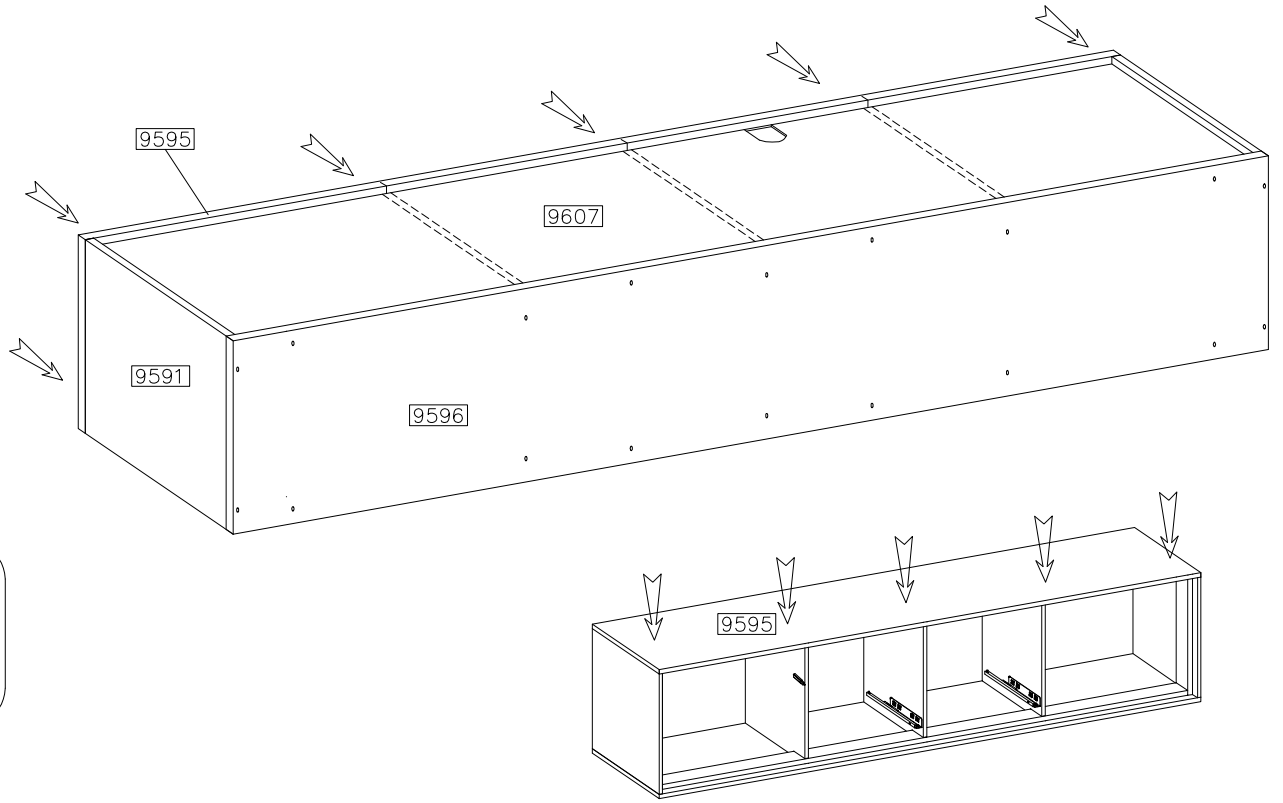
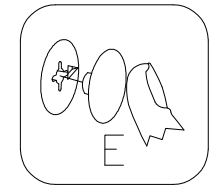
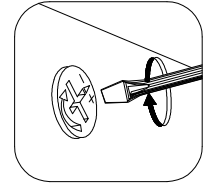
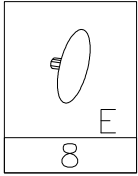
10



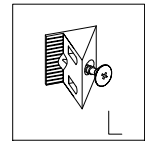
8



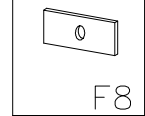
9



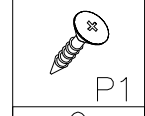
10



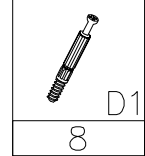
10



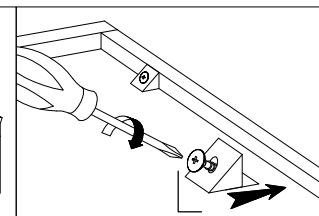
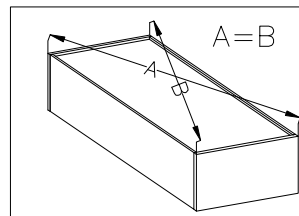
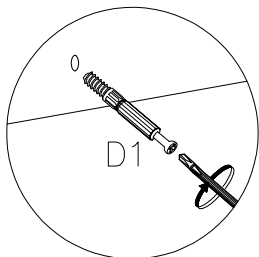
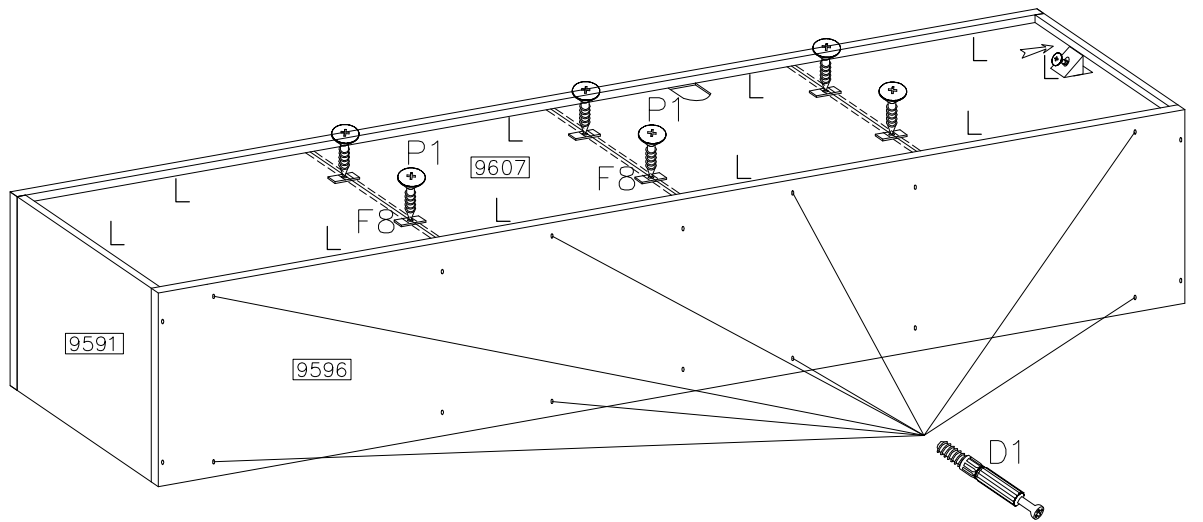
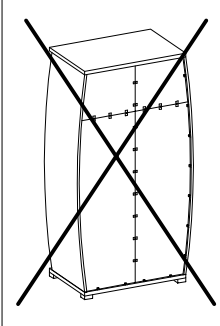
9
ø3.0x16mm



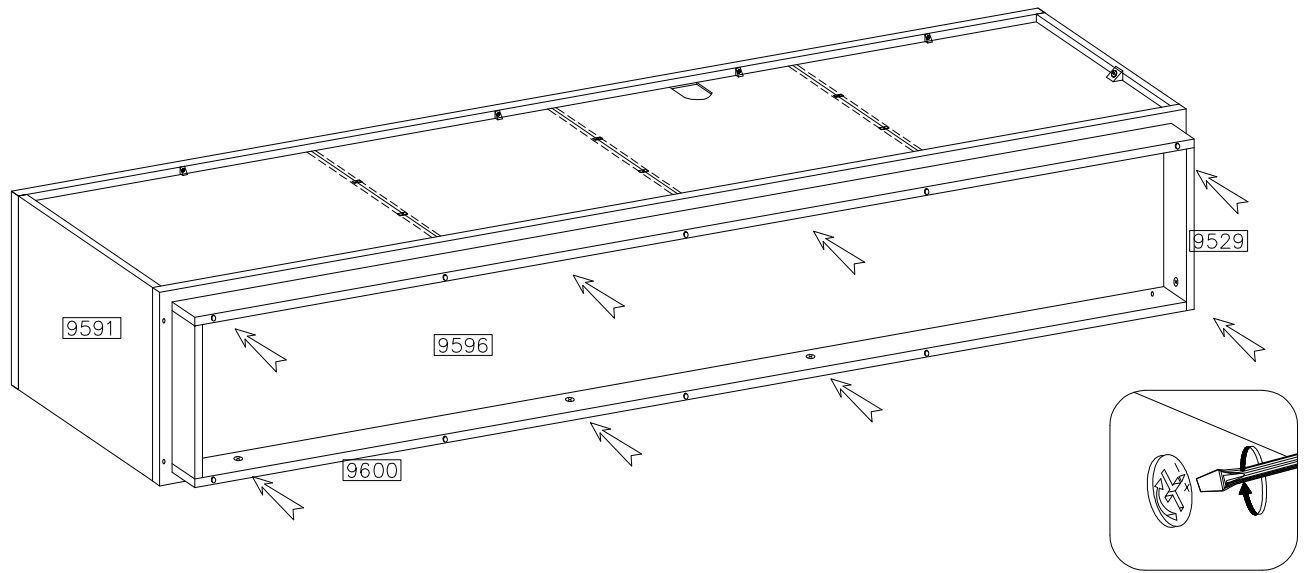
9



8

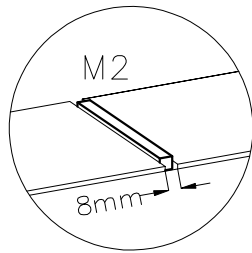


11



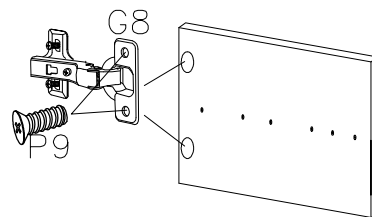
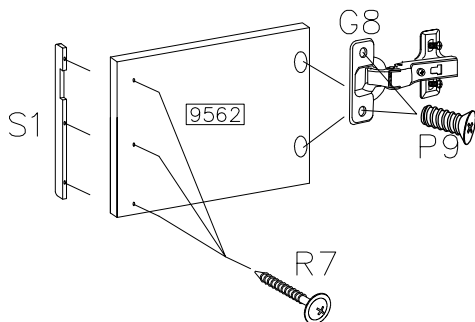
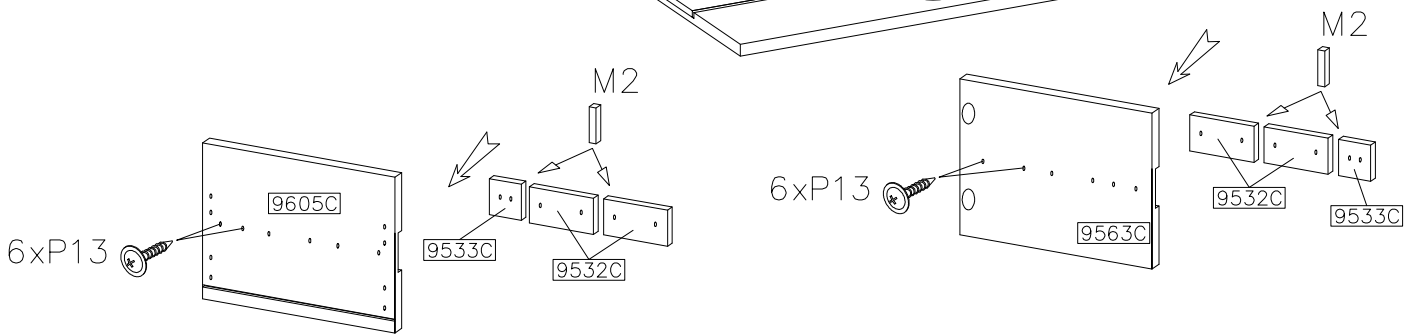
12

ø35/KR-8	5.0x13mm	3.0x13mm	L-288	ø4.0x27mm	50x8x8mm
G8	P9	P13	S1	R7	M2
4	8	12	1	3	2



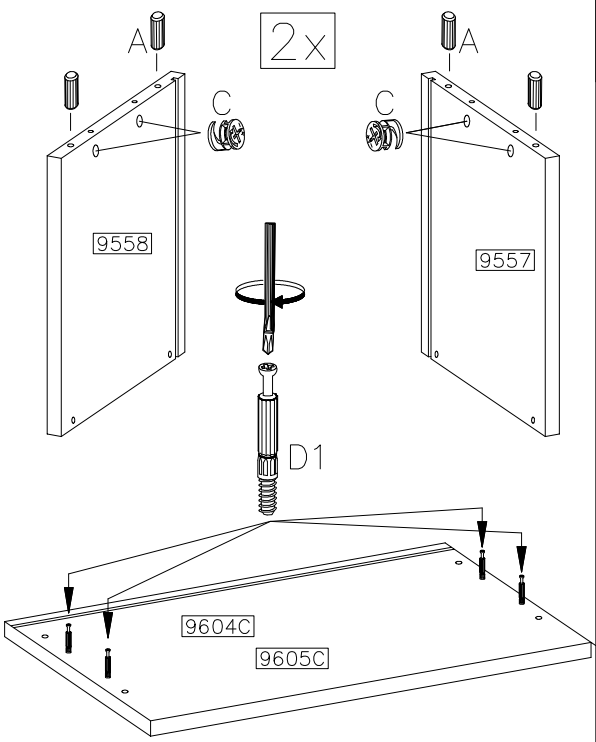
DISTANCE

M2



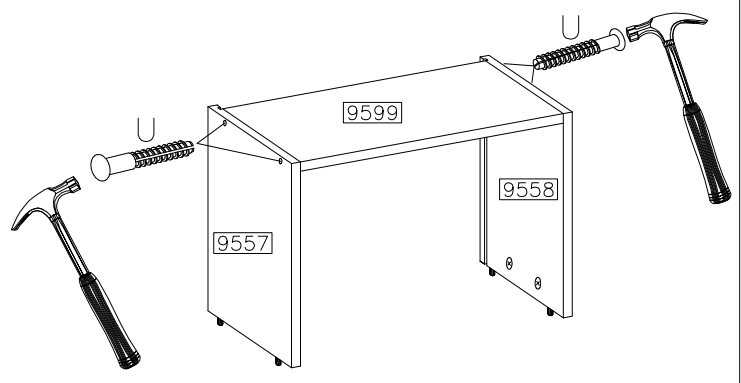
13

- ∅8x30mm
A
8
- ∅15/12mm
C
8
- D1
8



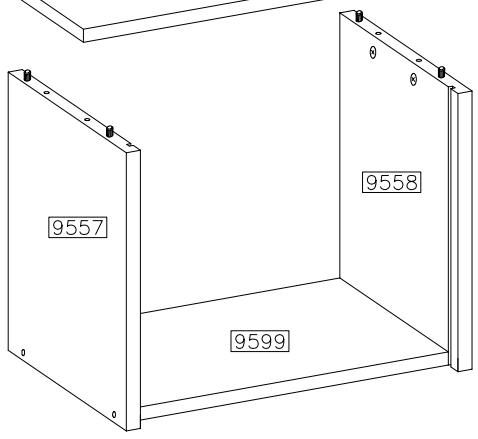
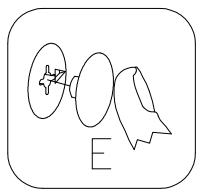
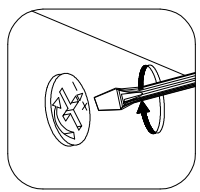
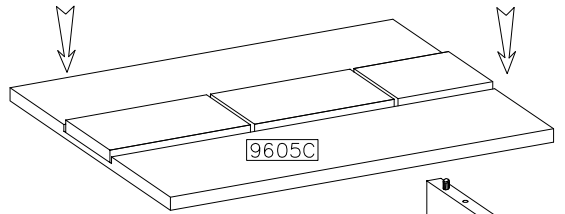
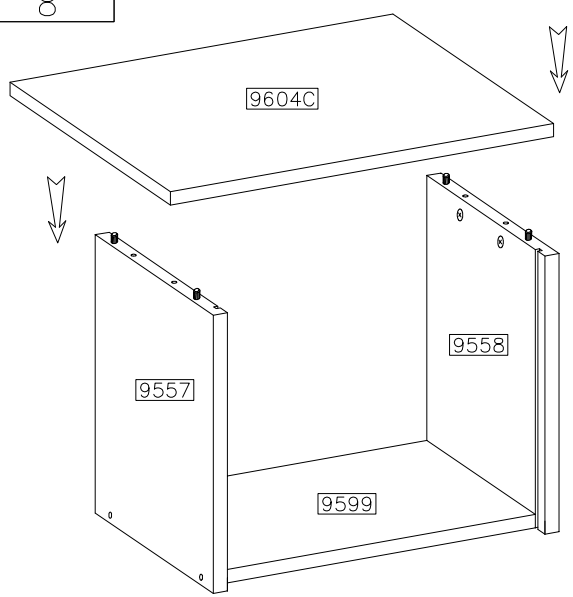
14

- U
8
- 2x



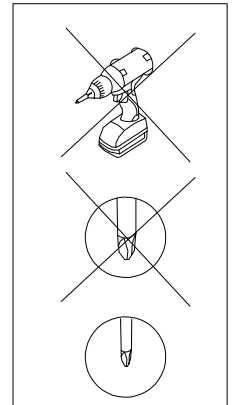
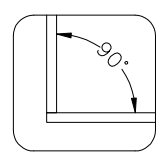
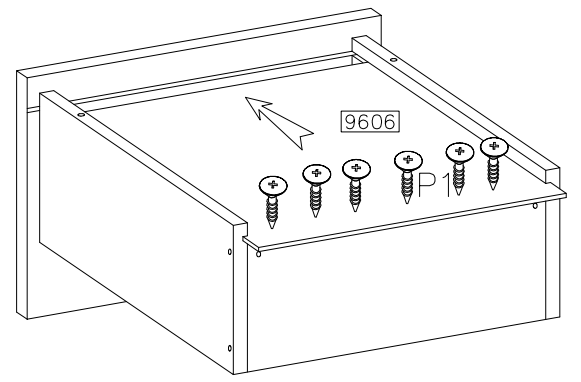
15

- E
8



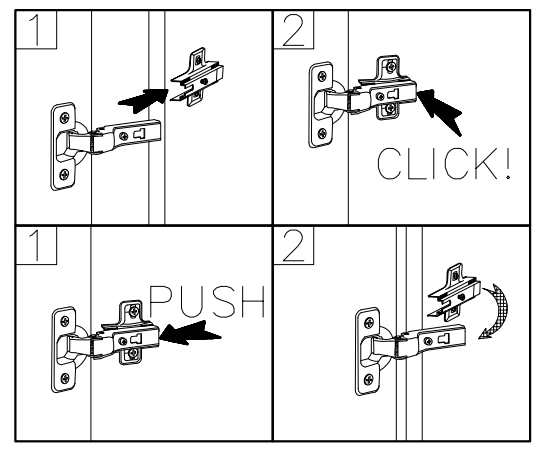
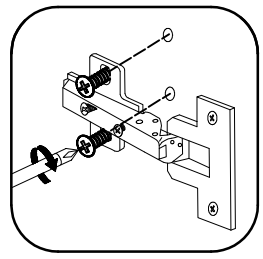
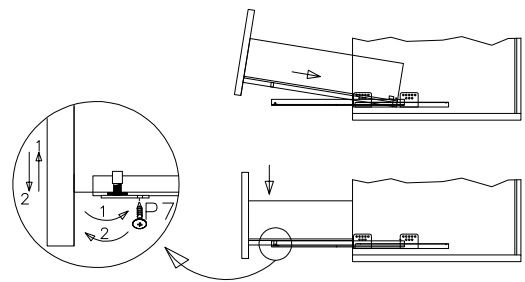
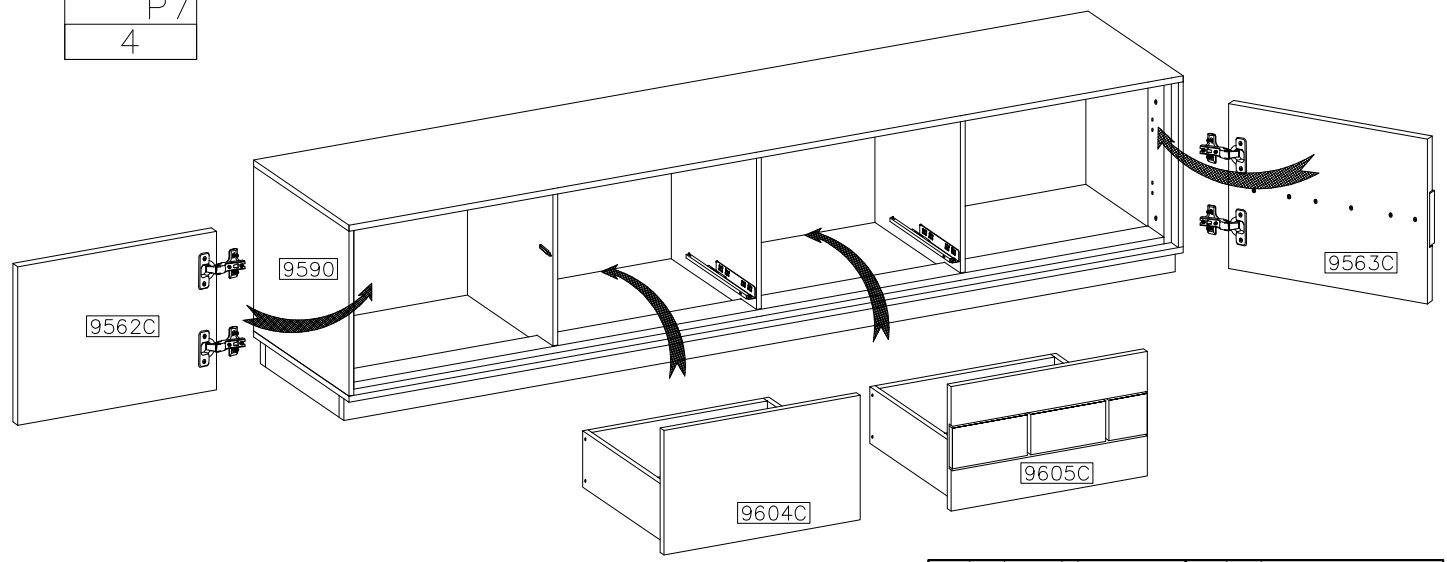
16

- ∅3.0x16mm
P1
12
- 2x



17

Ø3.0x20mm
P7
4



18

Ø3.5x16mm
N

