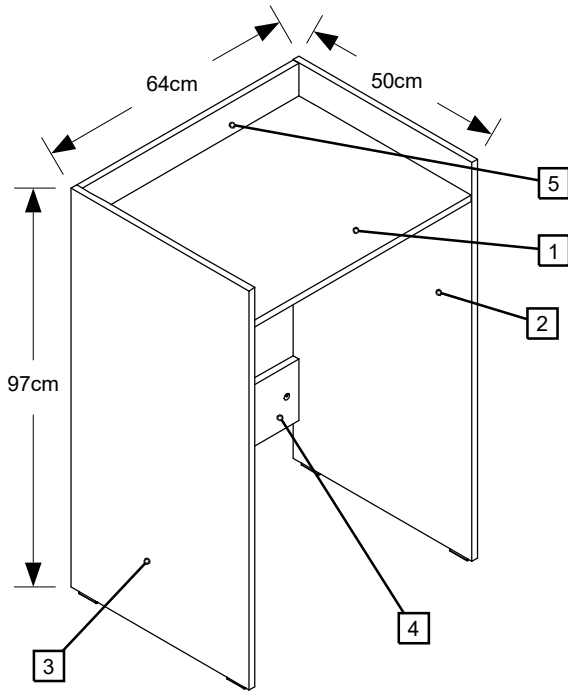


OTIS



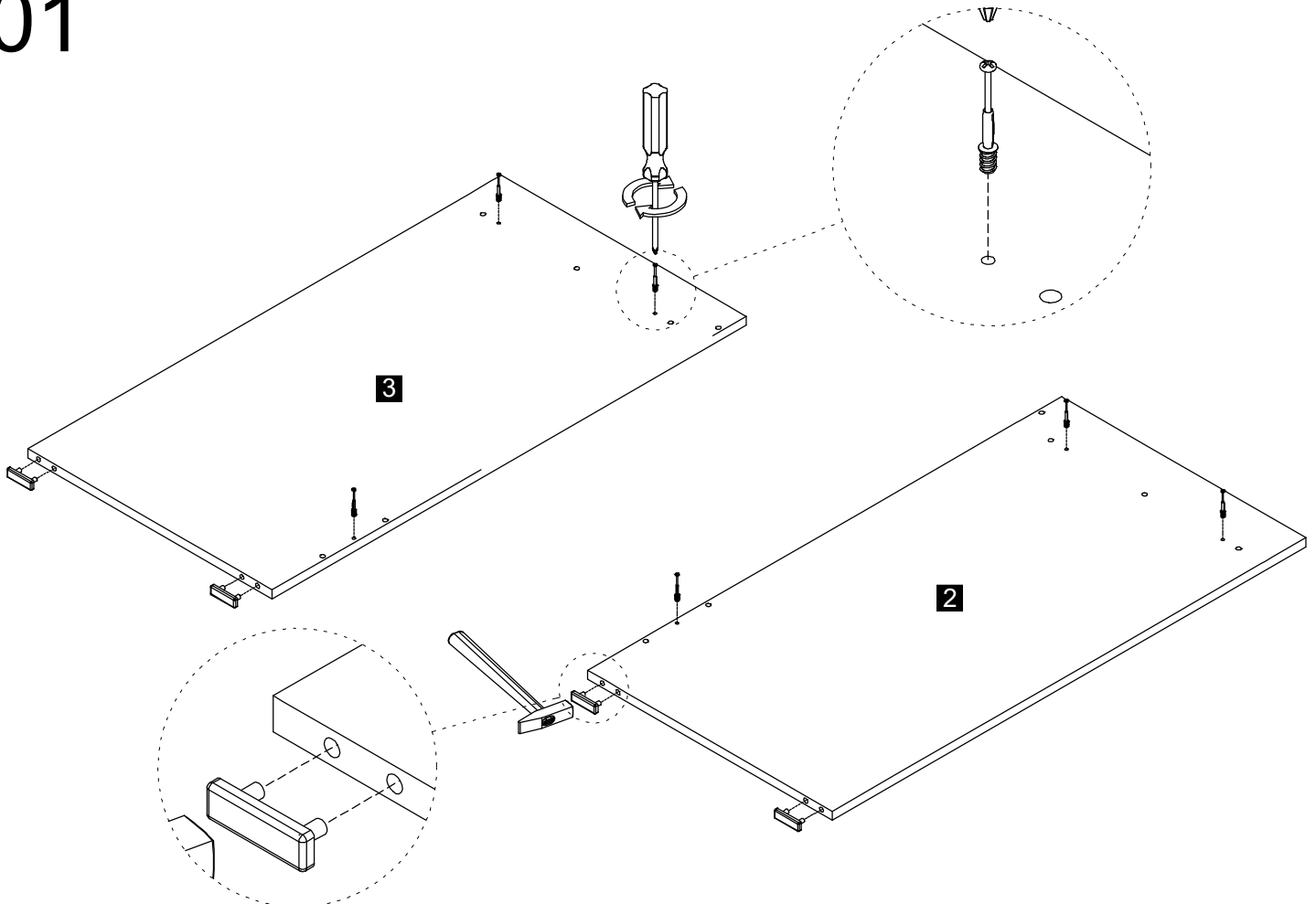
SZAFKA NAD PRALKE



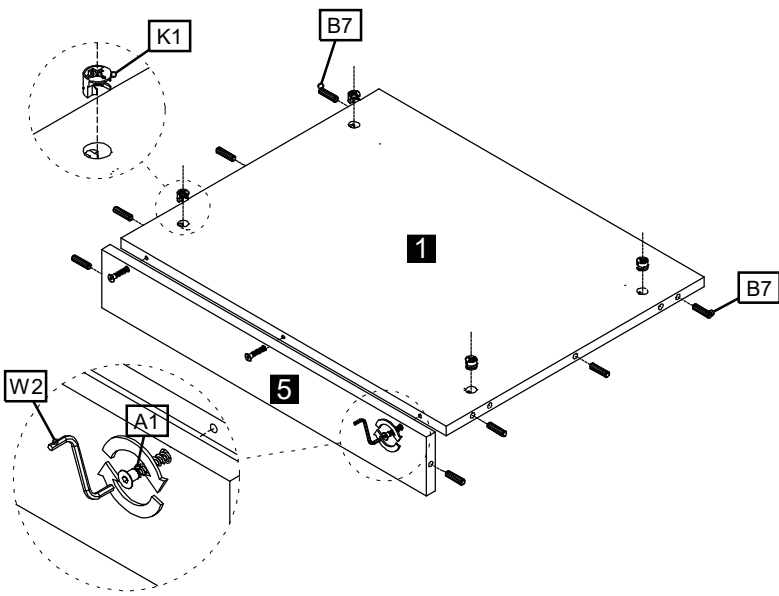
P3 x4	K1 Ø15X12 x6
K5 x6	A1 x3
B7 Ø8X30 x12	K1z x6
W2 x1	A1z x3



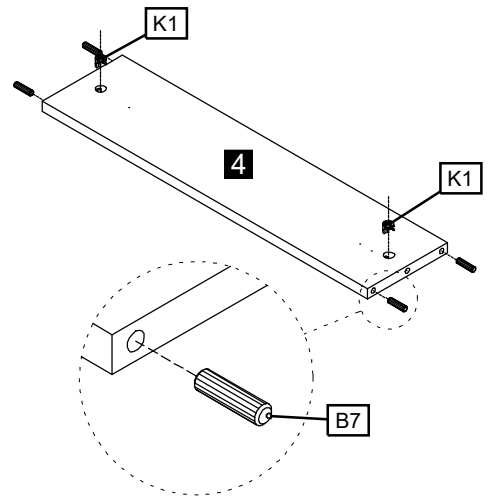
01



02



03



04

