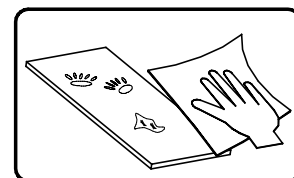
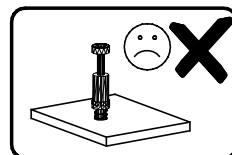
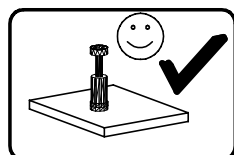
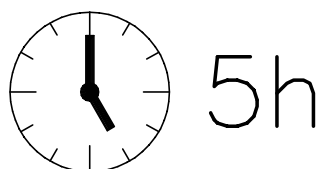
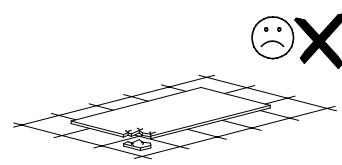
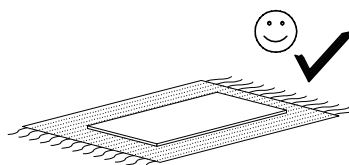
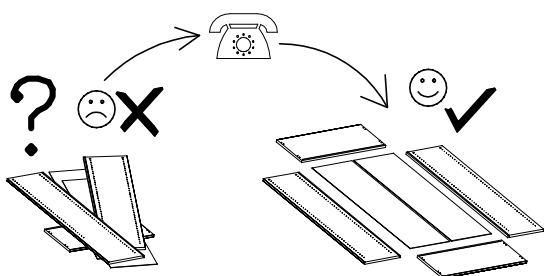
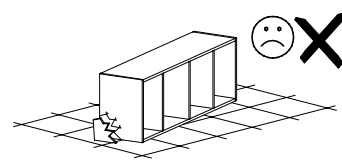
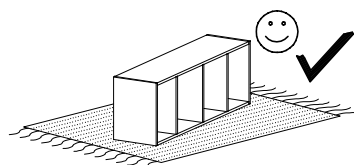
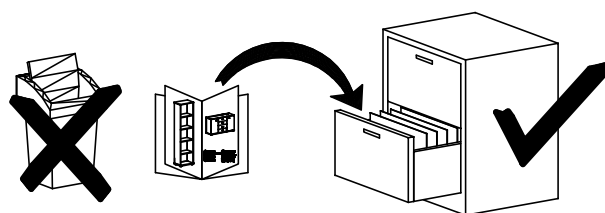
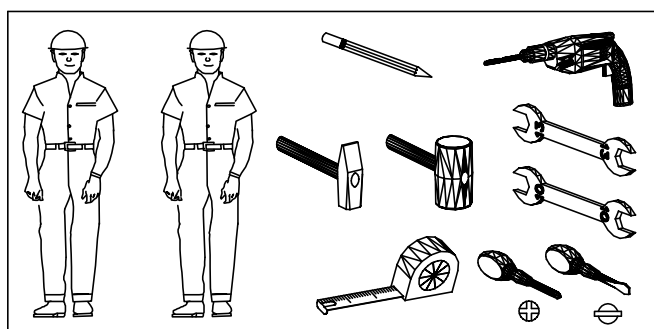
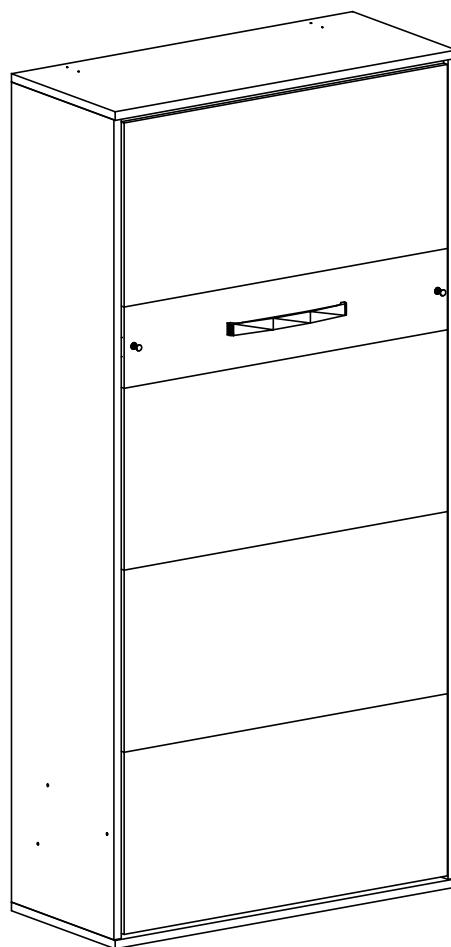


PÓLKOTAPCZAN 90 PIONOWY COUCHSHELF 90 VERTICAL COUCHREGAL 90 VERTIKAL

ZAKAZ MONTAŻU DO
ŚCIAN Z KARTON GIPSU

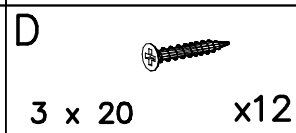
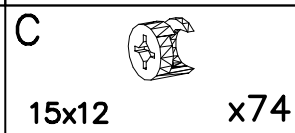
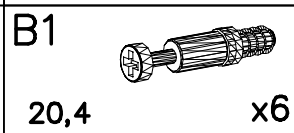
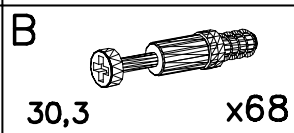
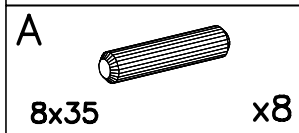
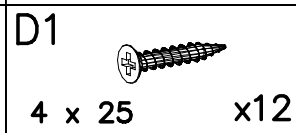
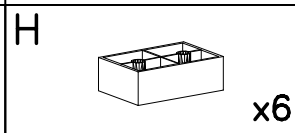
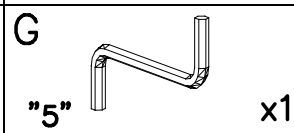
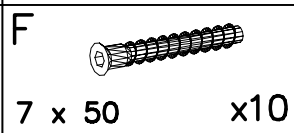
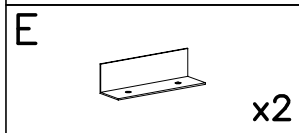
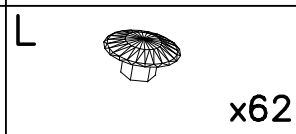
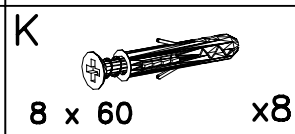
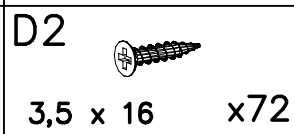
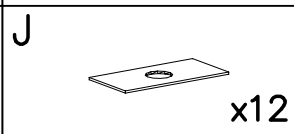
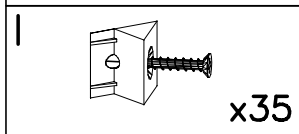
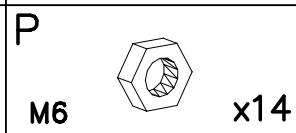
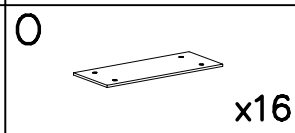
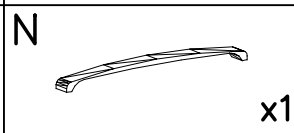
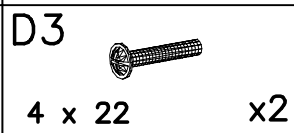
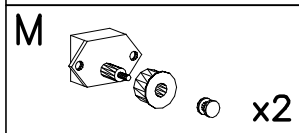
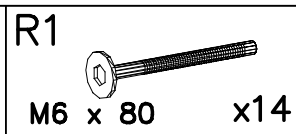
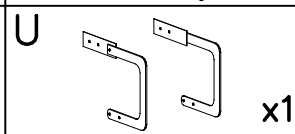
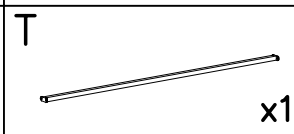
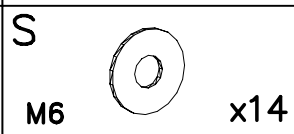
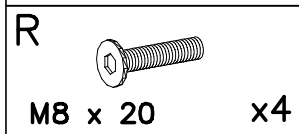
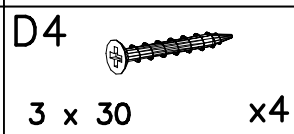
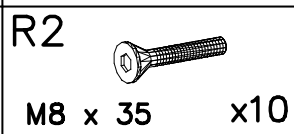
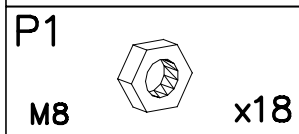
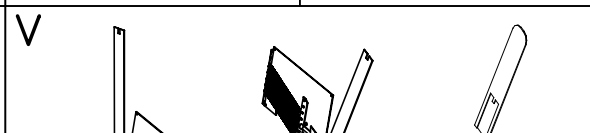
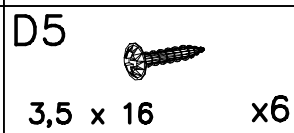
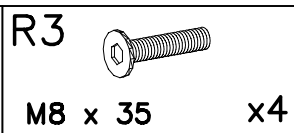
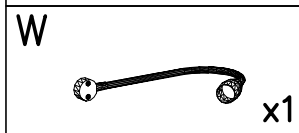
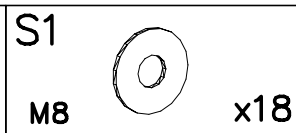
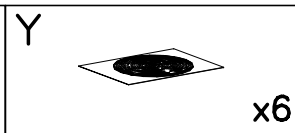
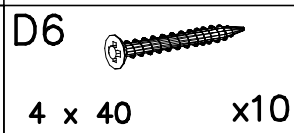
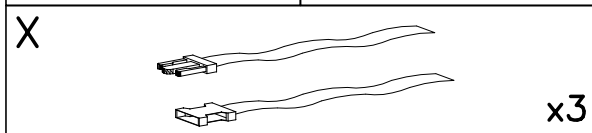
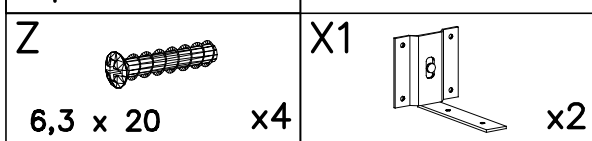
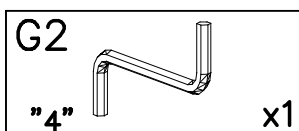
IT IS FORBIDDEN TO
ASSEMBLY TO WALLS
MADE OF PLASTERBOARD

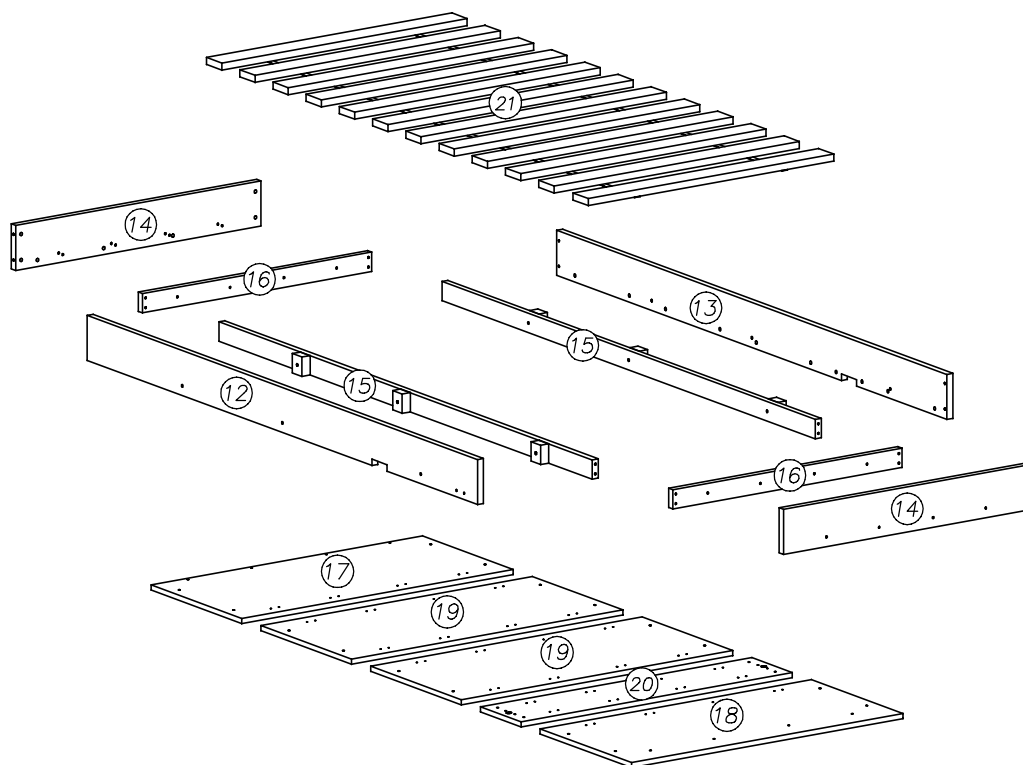
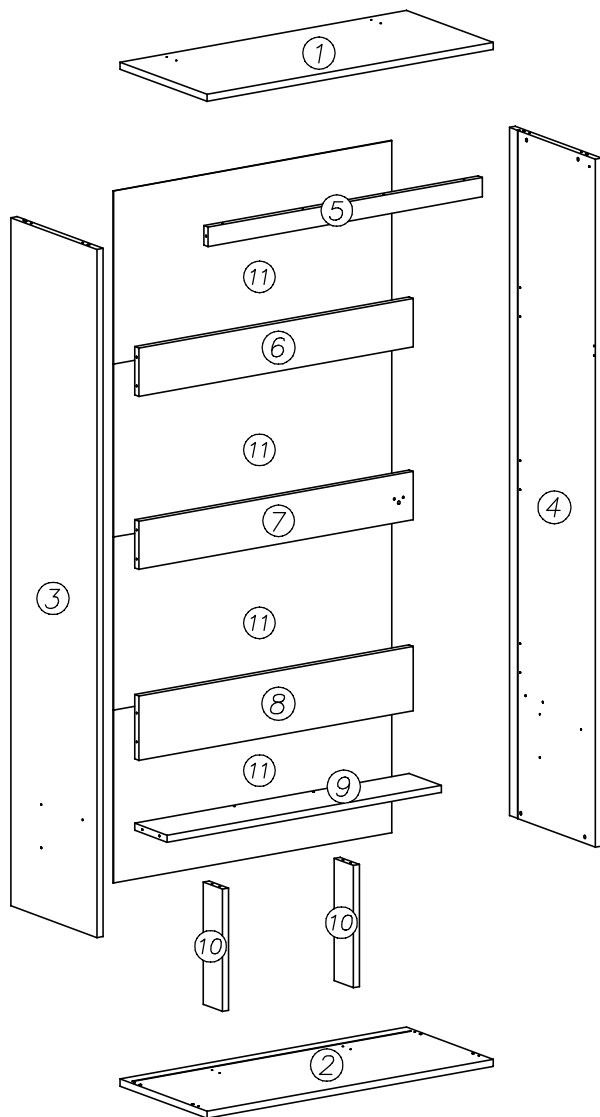
ES IST VERBOTEN, AN
WÄNDEN AUS
GIPSKARTONPLATTEN ZU
MONTIEREN



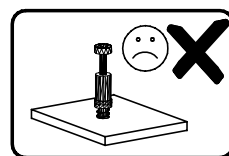
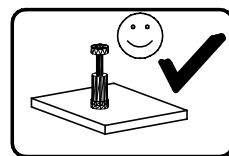
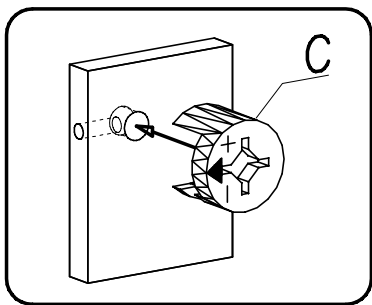
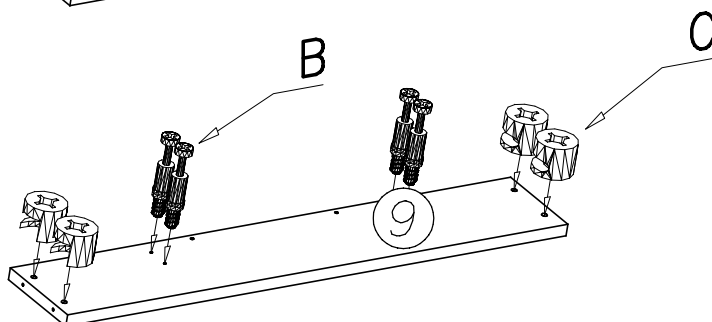
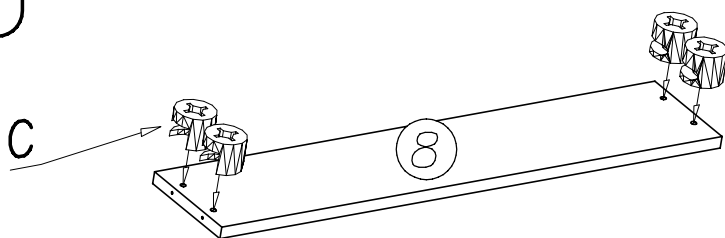
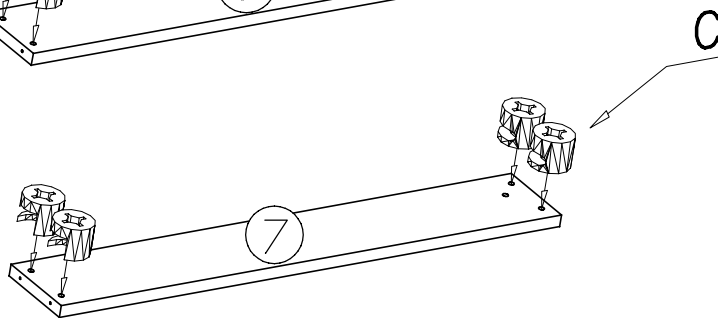
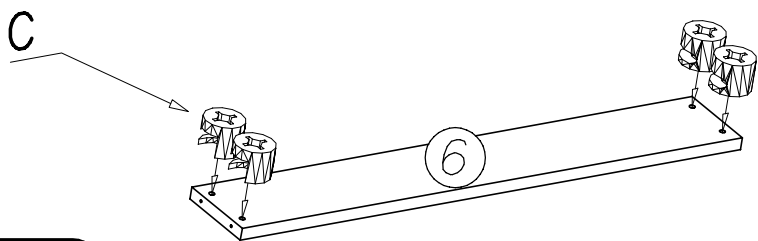
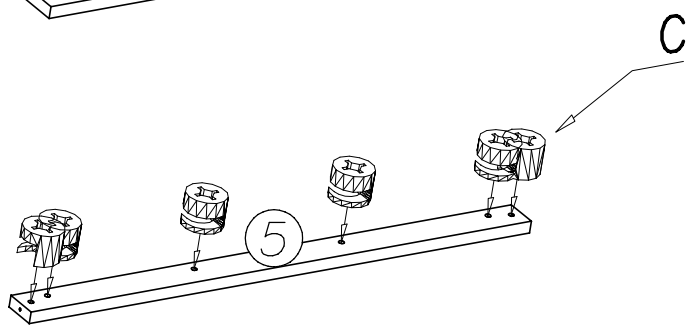
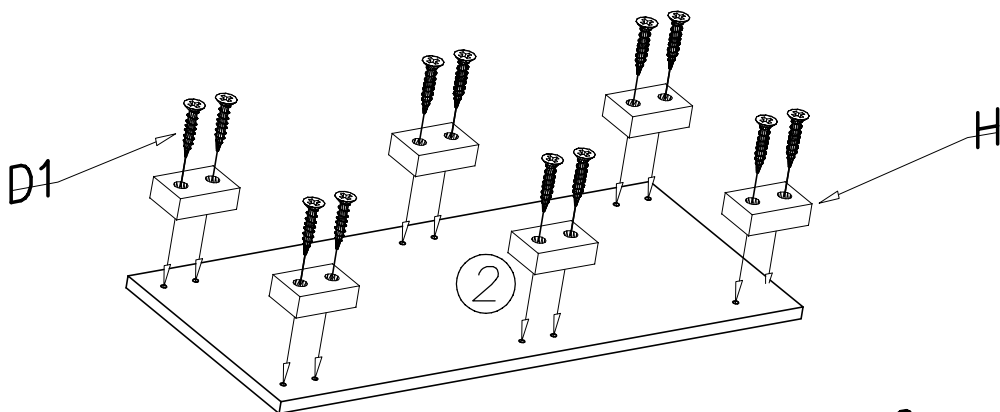
| nr | Długość | Szerokość | Grubość | Sztuk |
|----|---------|-----------|---------|-------|
| 1 | 1050 | 455 | 22 | 1 |
| 2 | 1050 | 455 | 22 | 1 |
| 3 | 2140 | 450 | 22 | 1 |
| 4 | 2140 | 450 | 22 | 1 |
| 5 | 1004 | 60 | 22 | 1 |
| 6 | 1004 | 150 | 22 | 1 |
| 7 | 1004 | 150 | 22 | 1 |
| 8 | 1004 | 200 | 22 | 1 |
| 9 | 1004 | 170 | 22 | 1 |
| 10 | 380 | 100 | 22 | 1 |
| 11 | 1020 | 538 | 2,5 | 4 |

| nr | Długość | Szerokość | Grubość | Sztuk |
|----|-----------------|-----------|---------|-------|
| 12 | 2044 | 140 | 22 | 1 |
| 13 | 2044 | 140 | 22 | 1 |
| 14 | 900 | 140 | 22 | 2 |
| 15 | RAMA POD STELAŻ | | | |
| 16 | | | | |
| 17 | | | | |
| 18 | 995 | 475 | 16 | 1 |
| 19 | 995 | 480 | 16 | 1 |
| 20 | 995 | 475 | 16 | 2 |
| 21 | 995 | 212 | 16 | 1 |
| 22 | STELAŻ | | | |

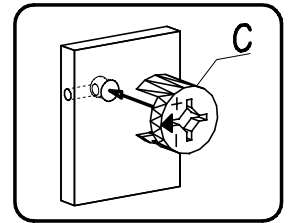
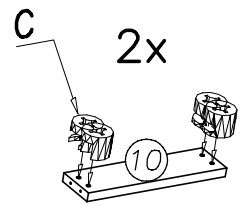
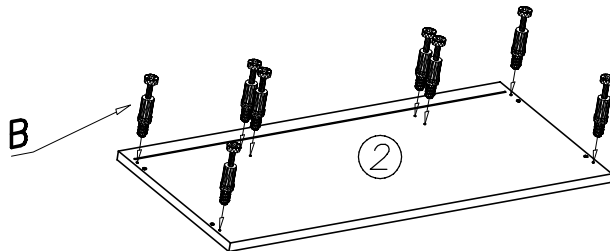
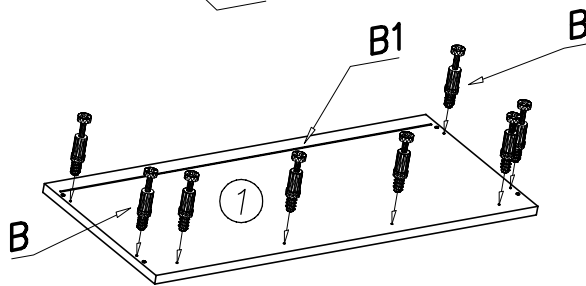
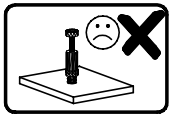
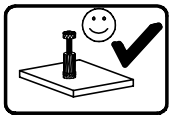
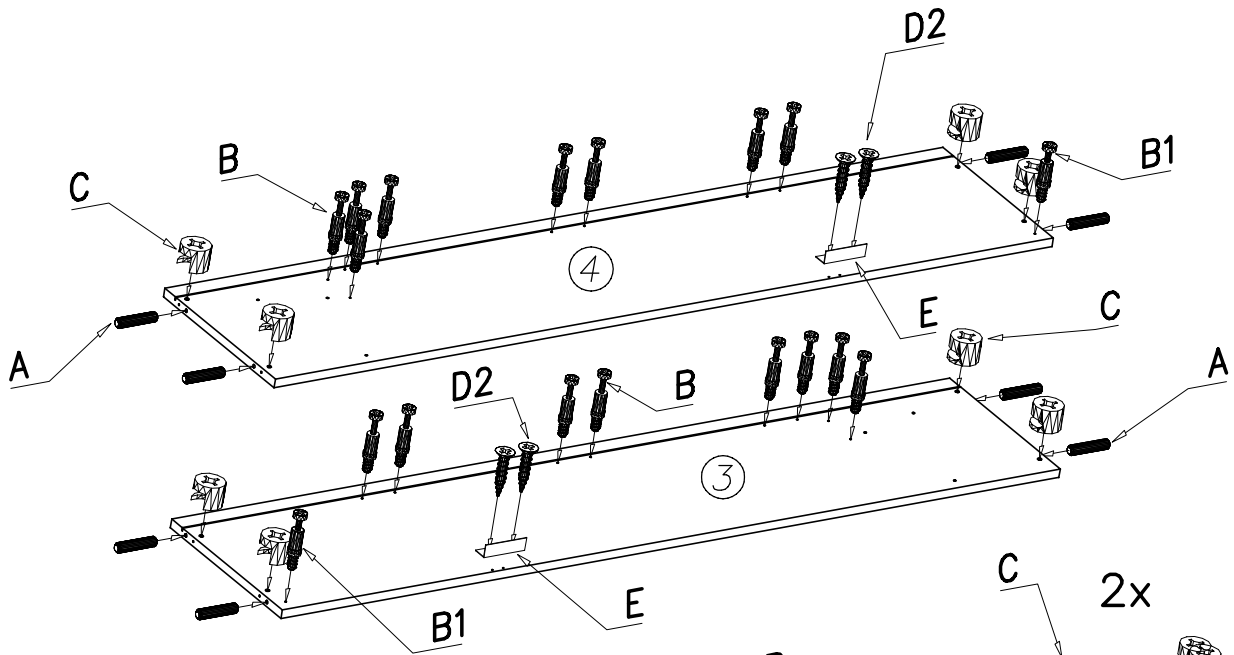




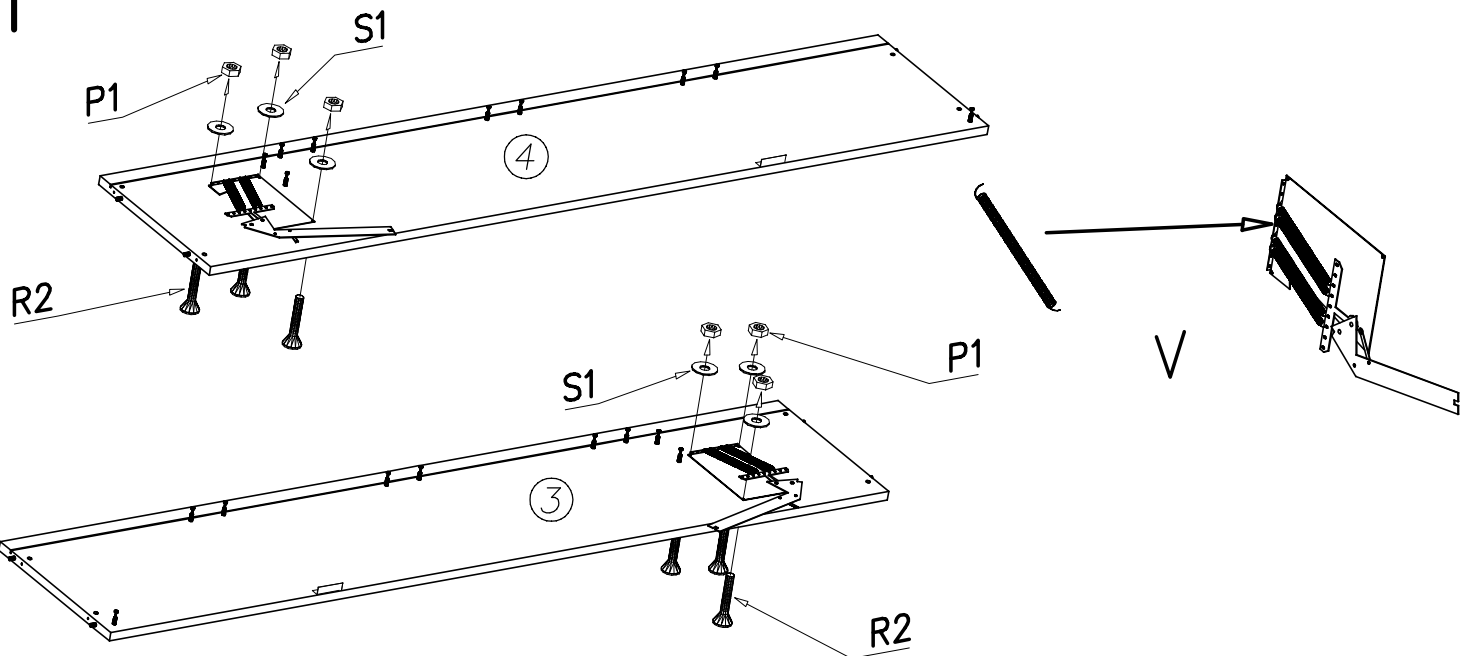
I



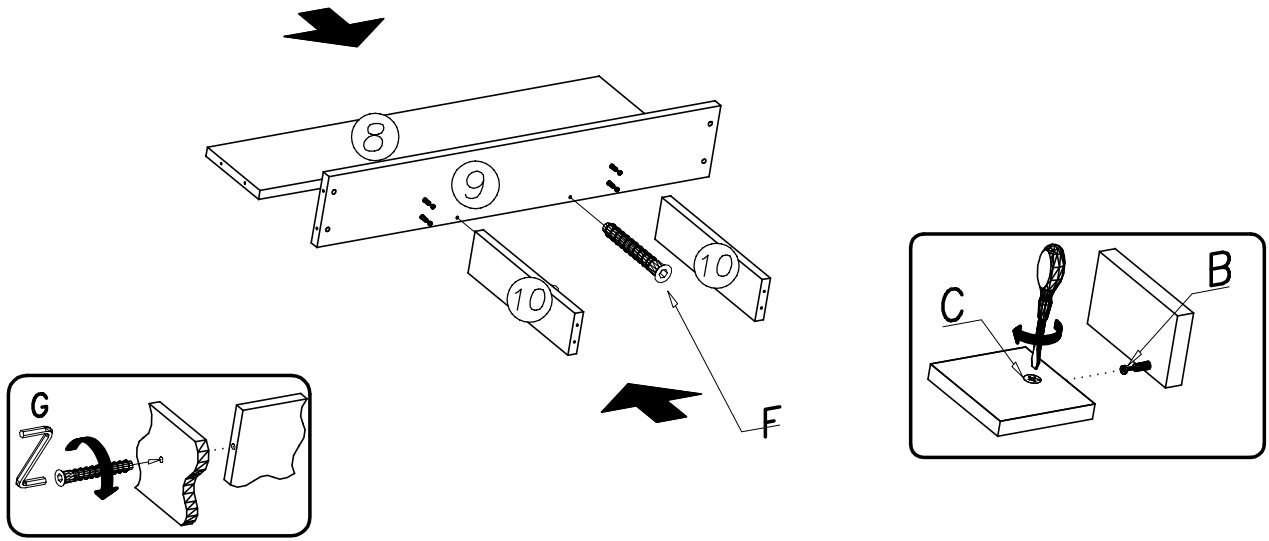
II



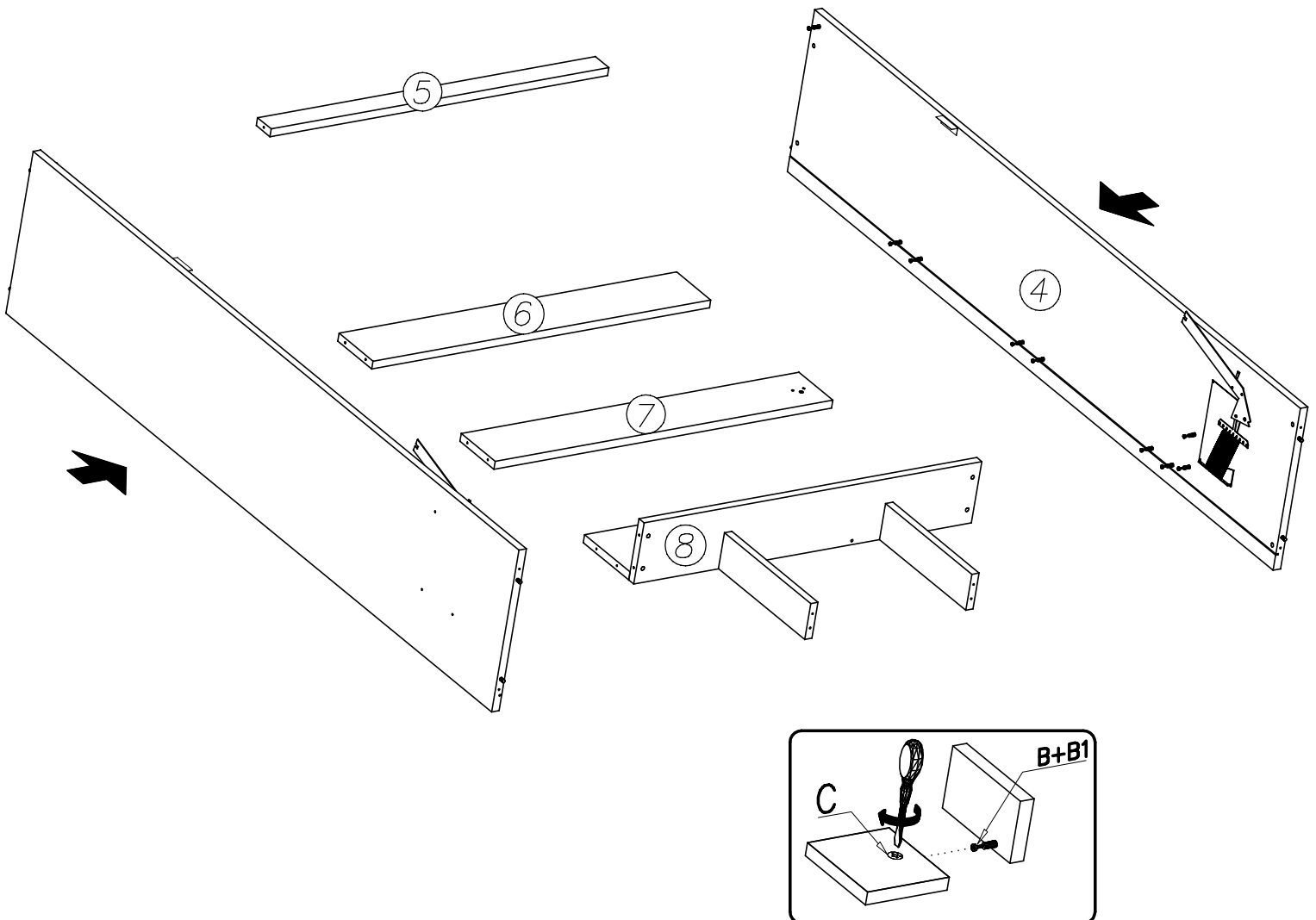
III



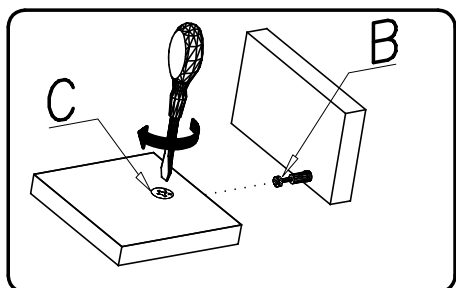
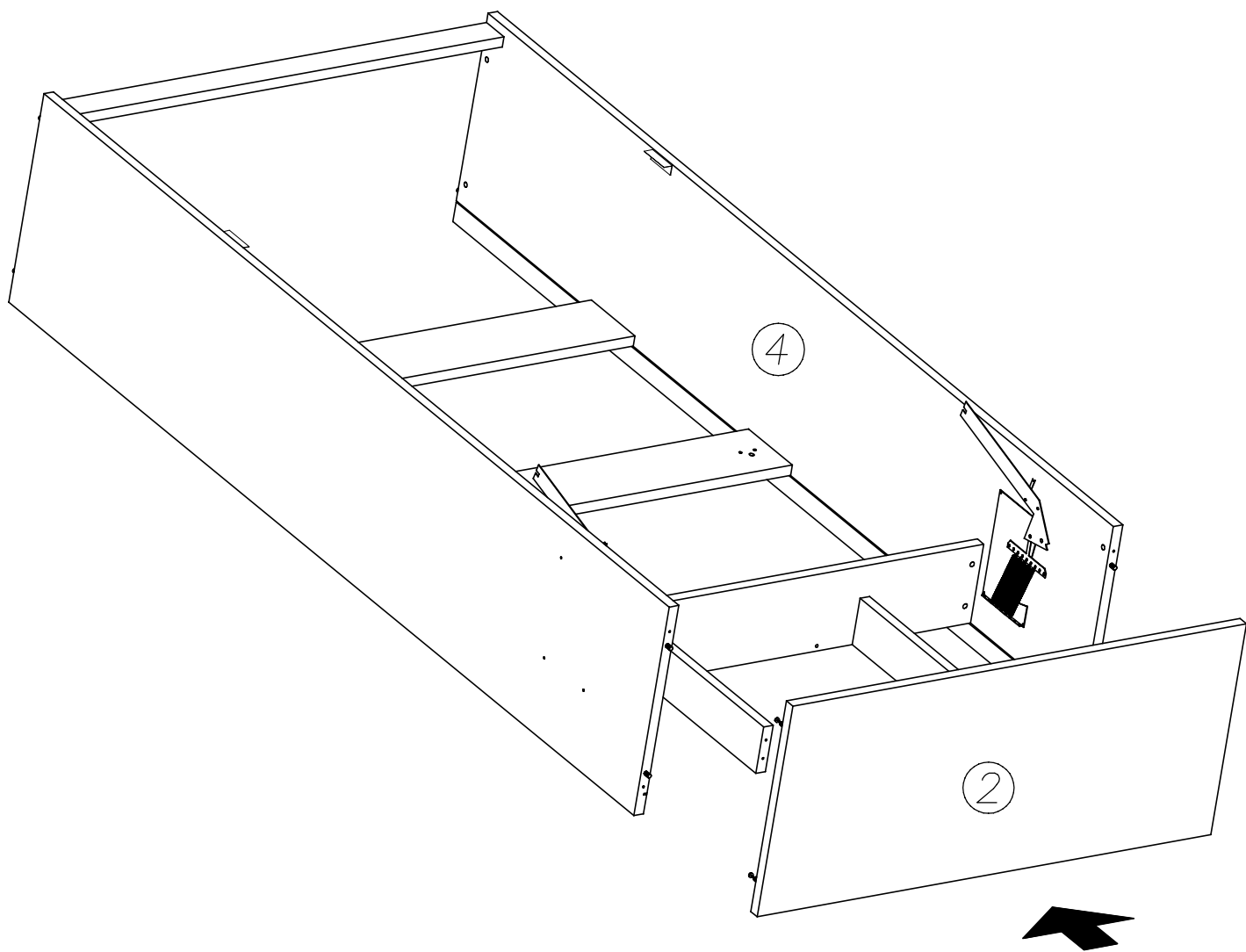
IV



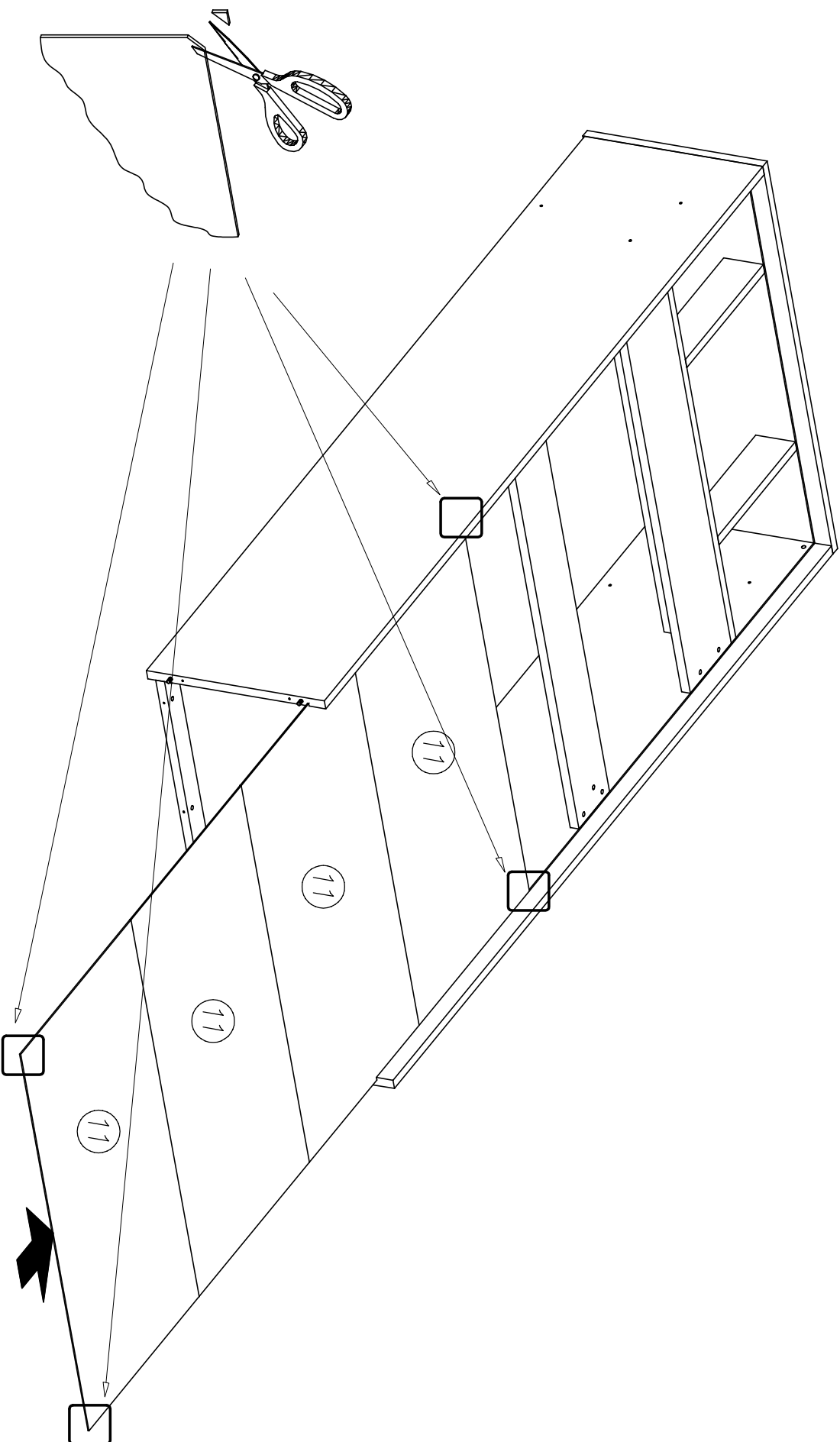
V



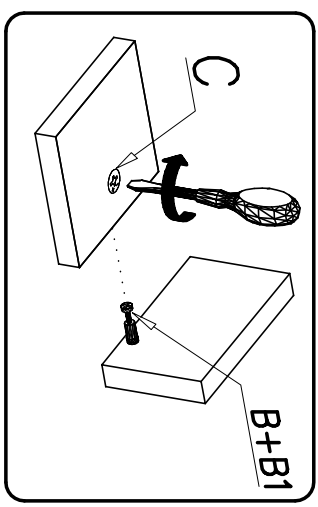
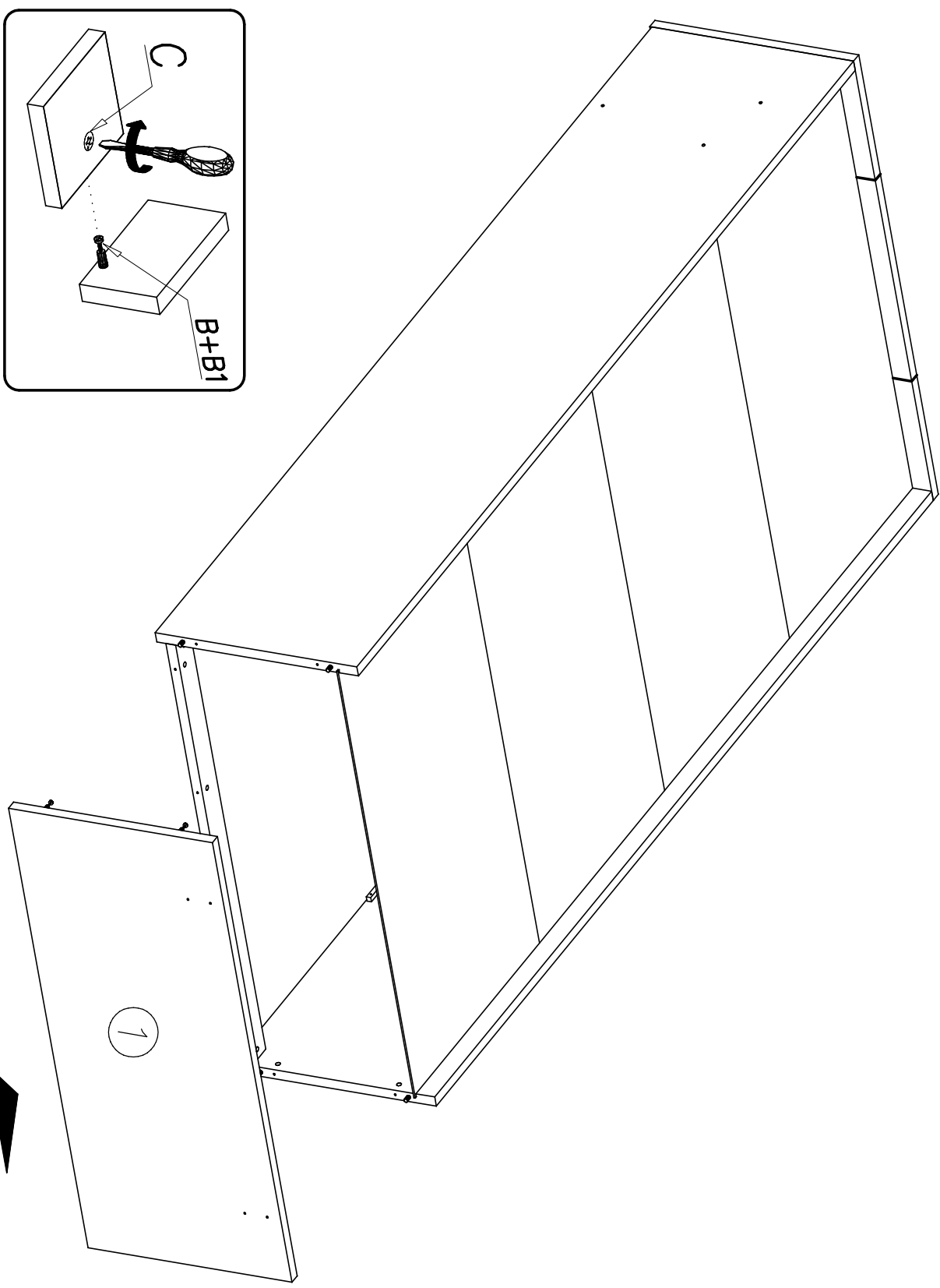
VI



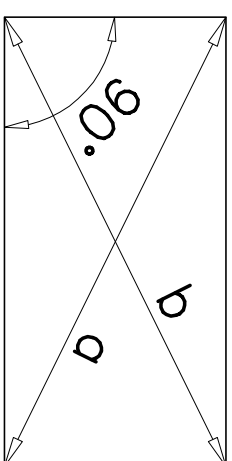
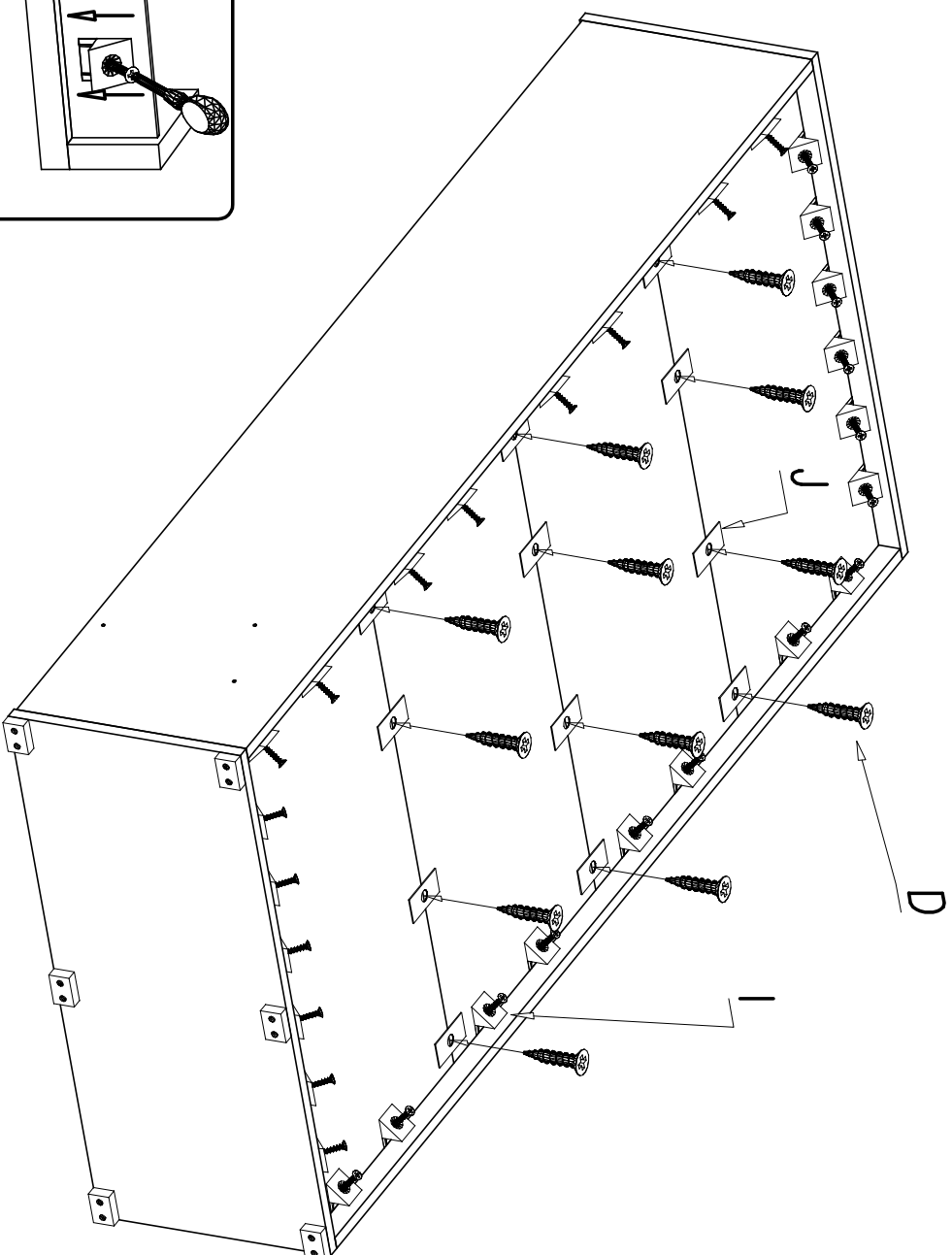
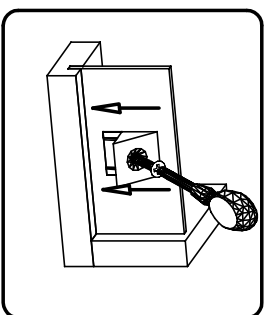
VII



VIII

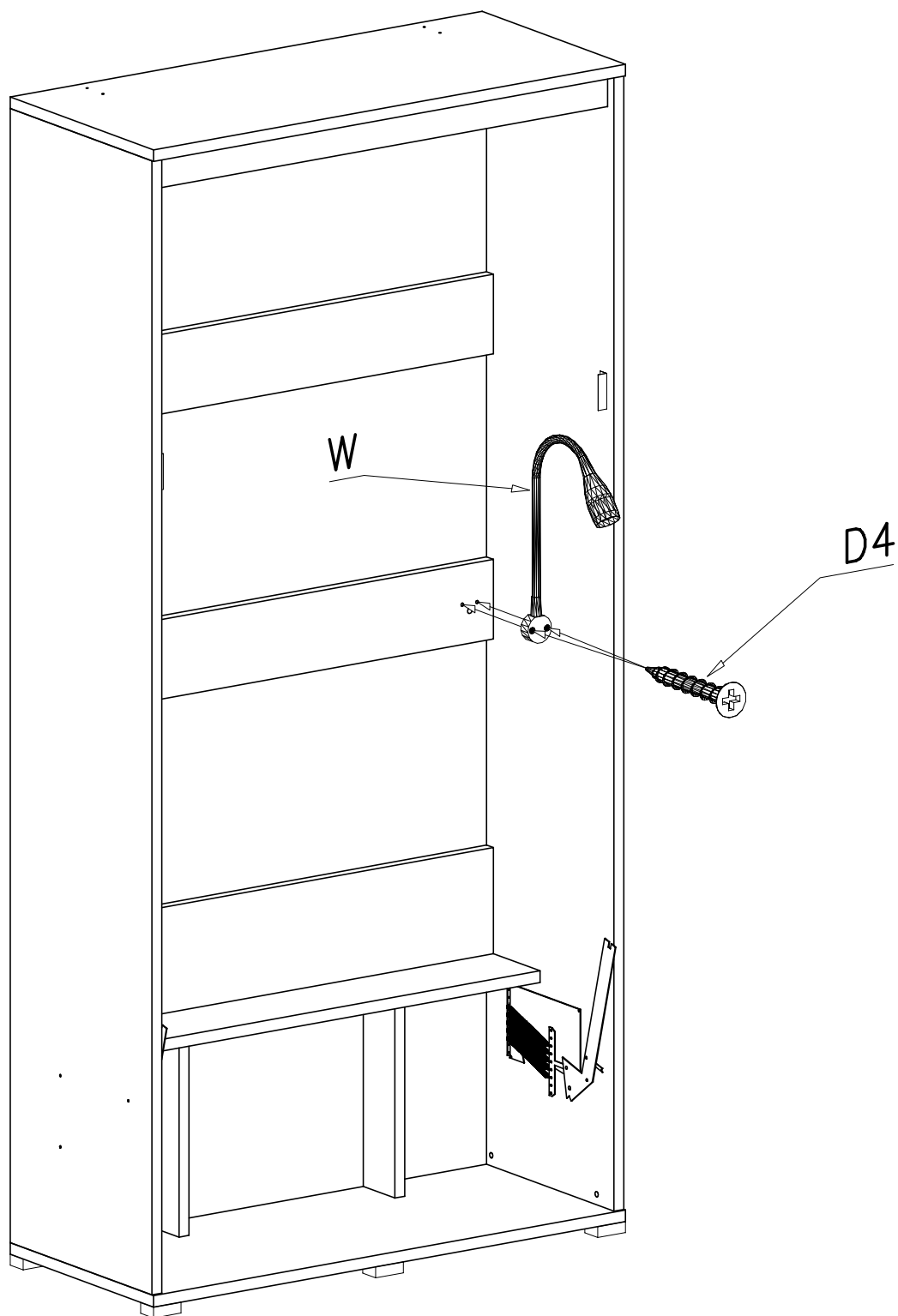
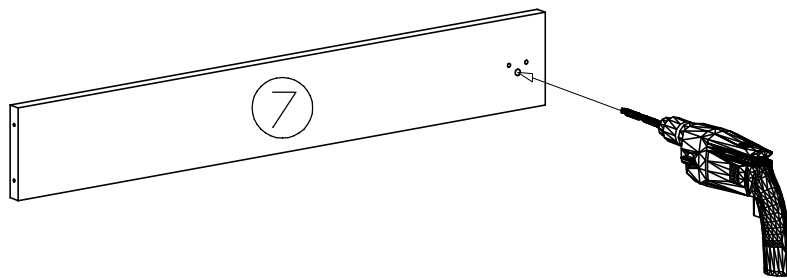


IX



$a = b$

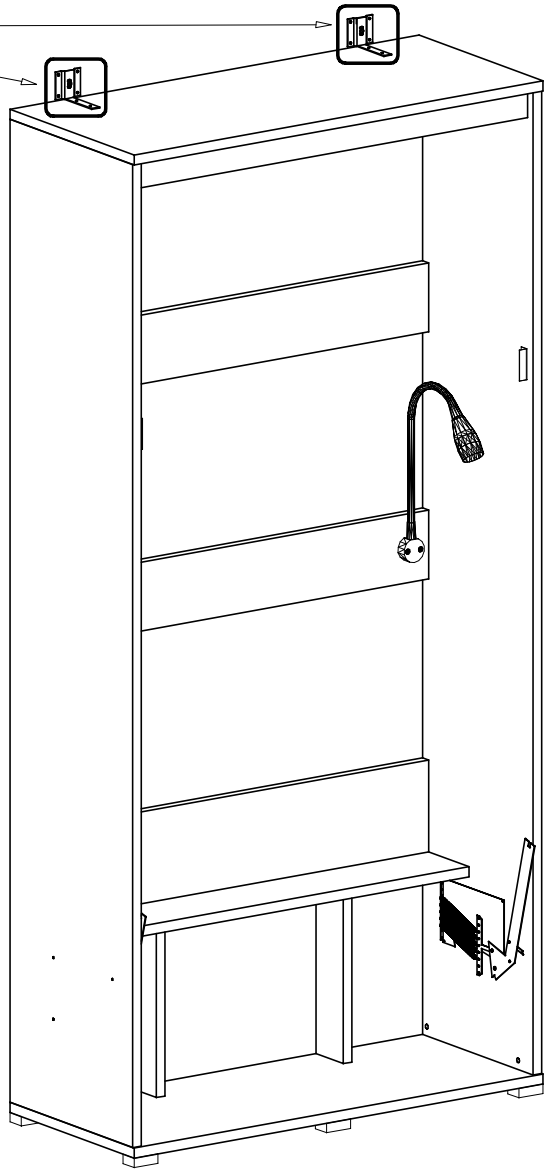
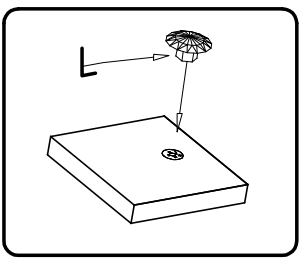
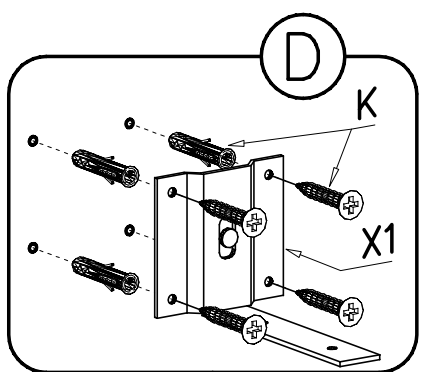
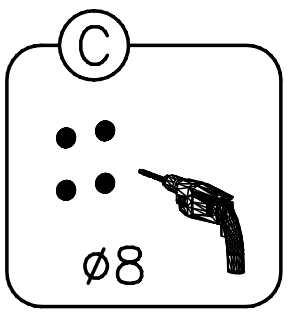
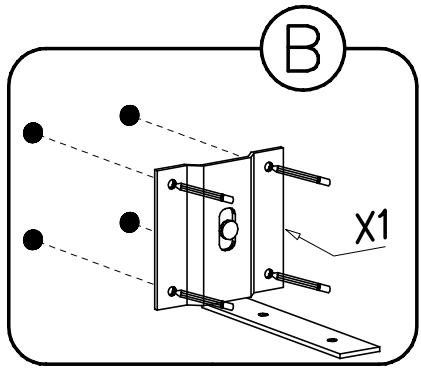
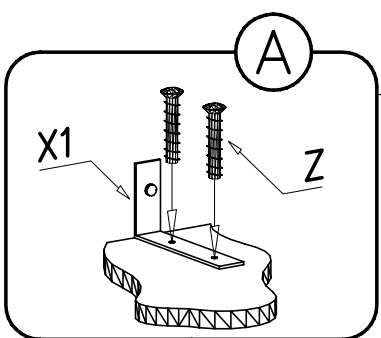
X



XI



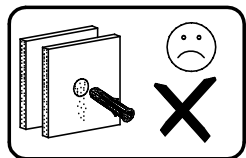
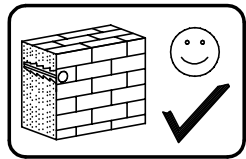
XII



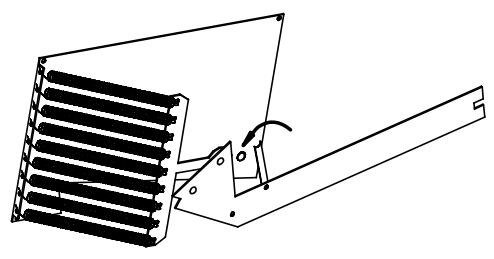
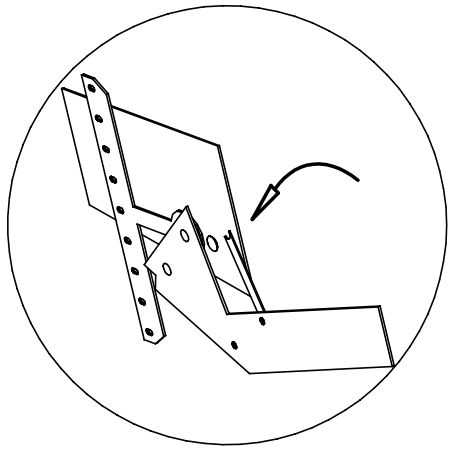
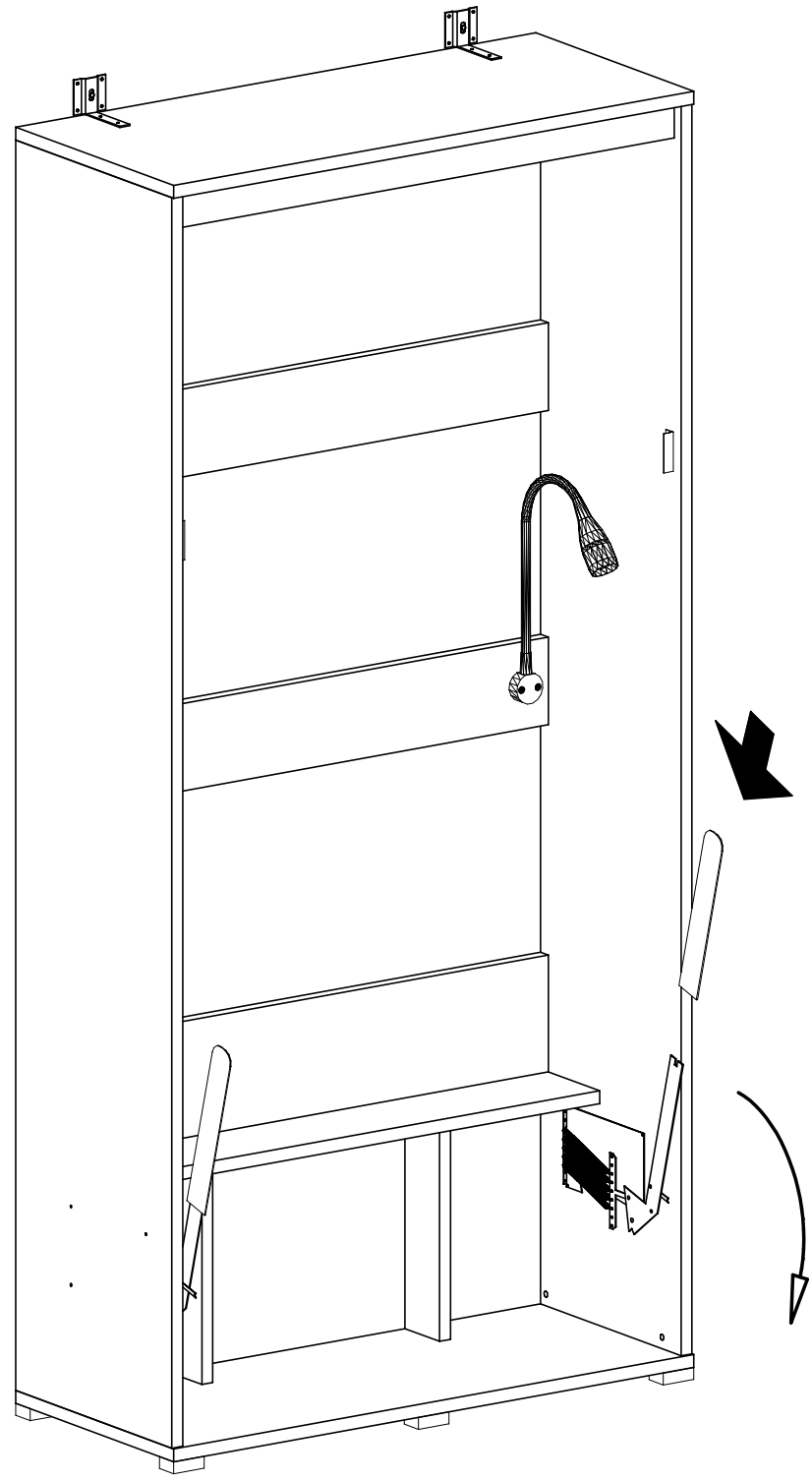
ZAKAZ MONTAŻU DO ŚCIAN Z KARTON GIPSU

IT IS FORBIDDEN TO ASSEMBLY TO WALLS MADE OF PLASTERBOARD

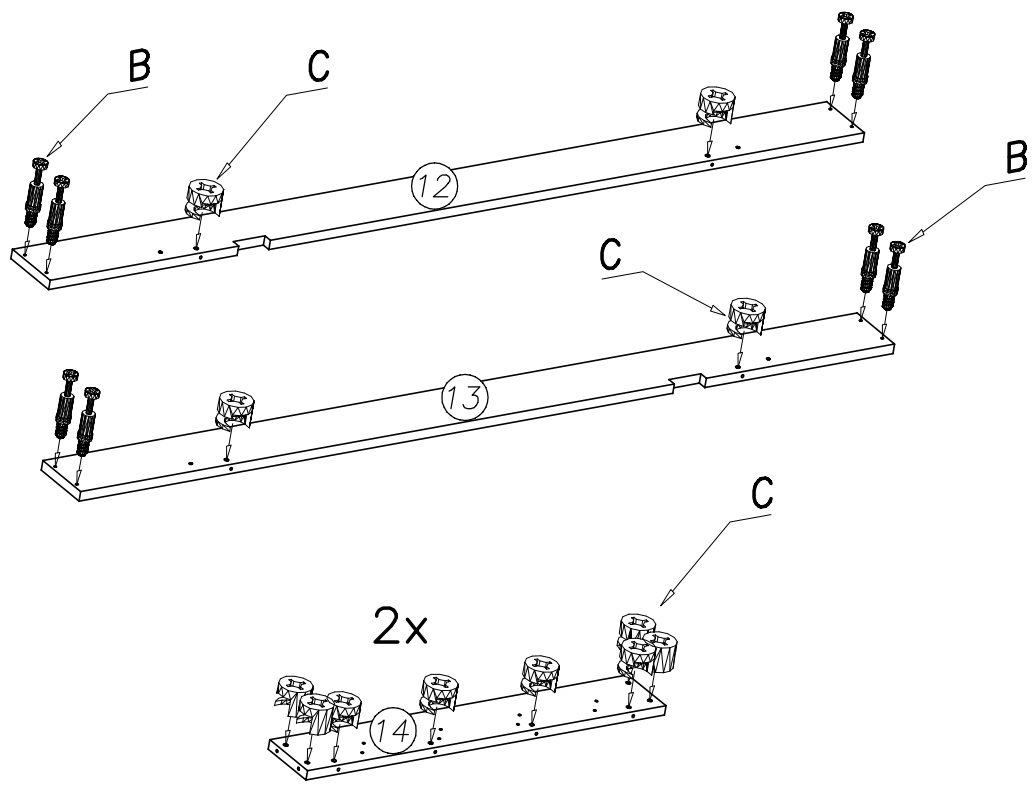
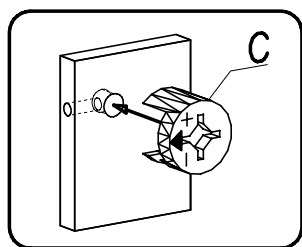
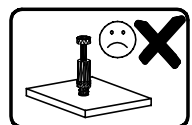
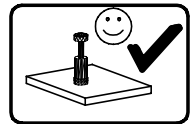
ES IST VERBOTEN, AN WÄNDEN AUS GIPSKARTONPLATTEN ZU MONTIEREN



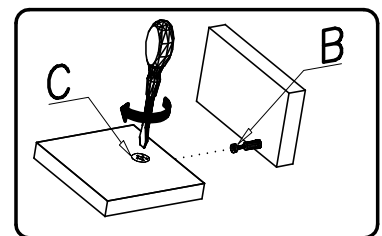
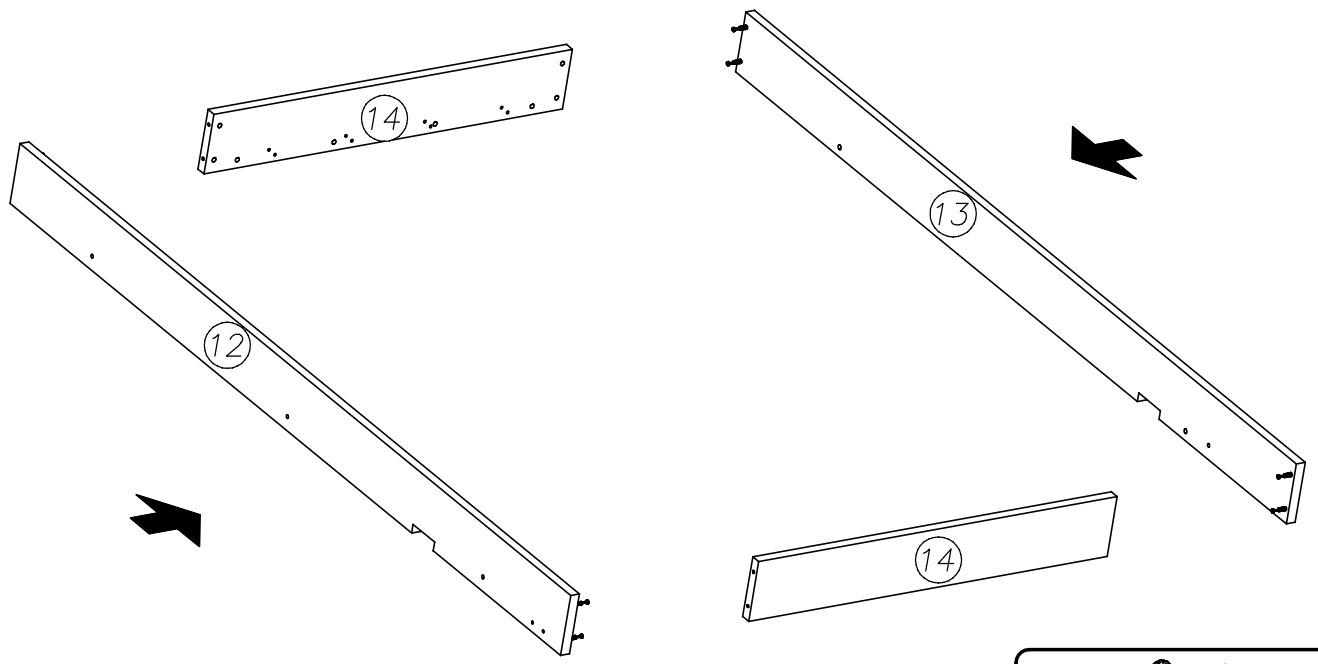
XIII



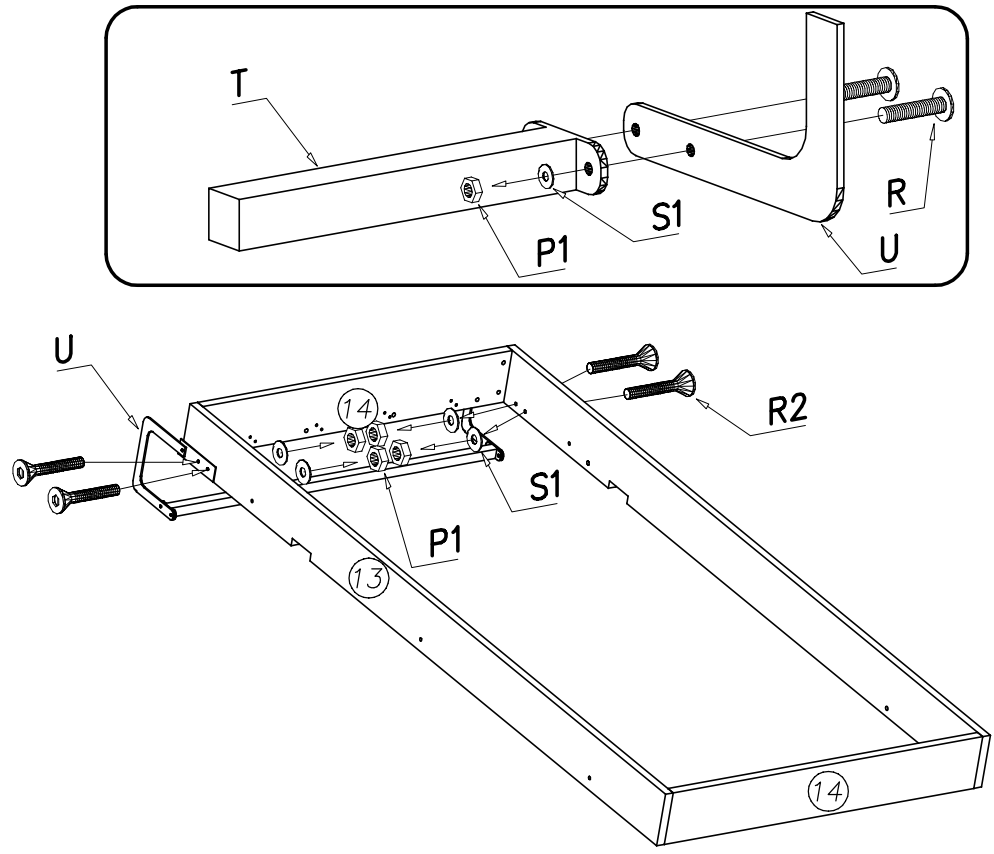
XIV



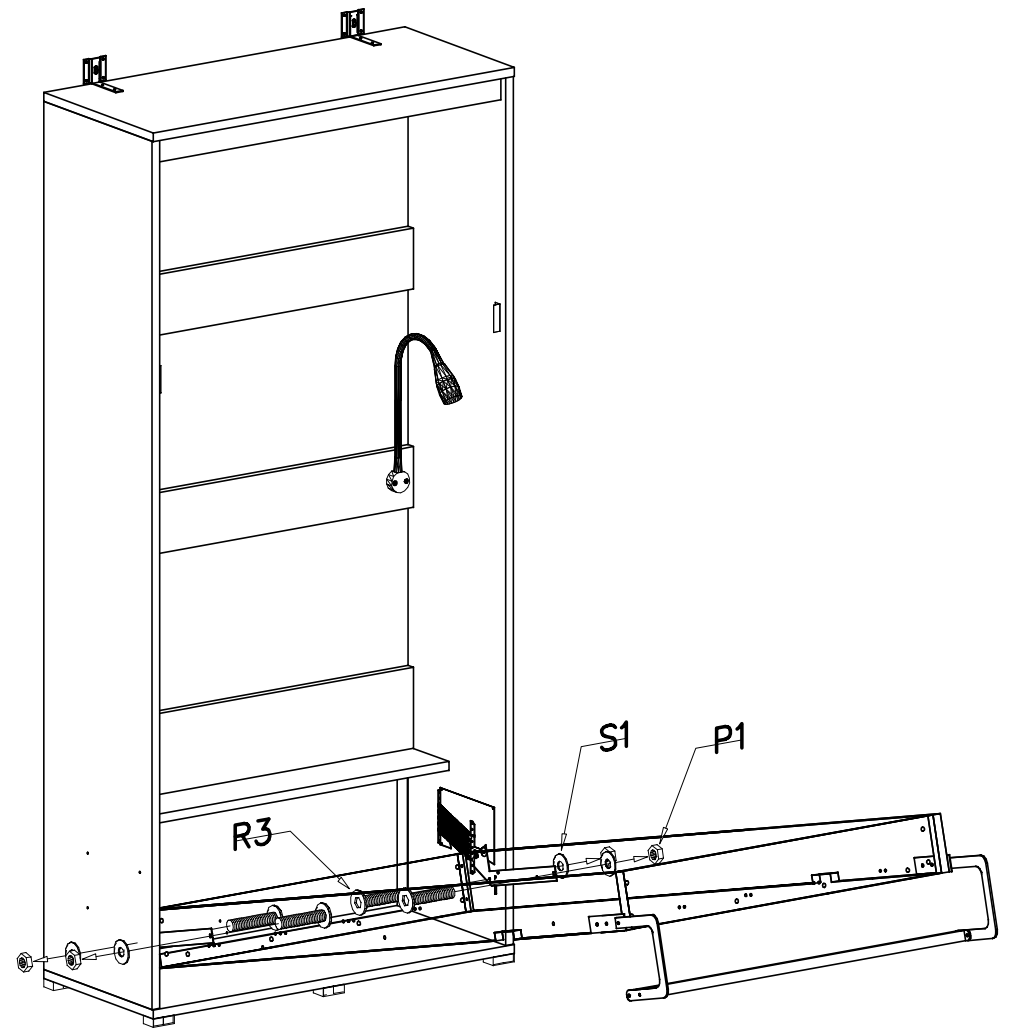
XV



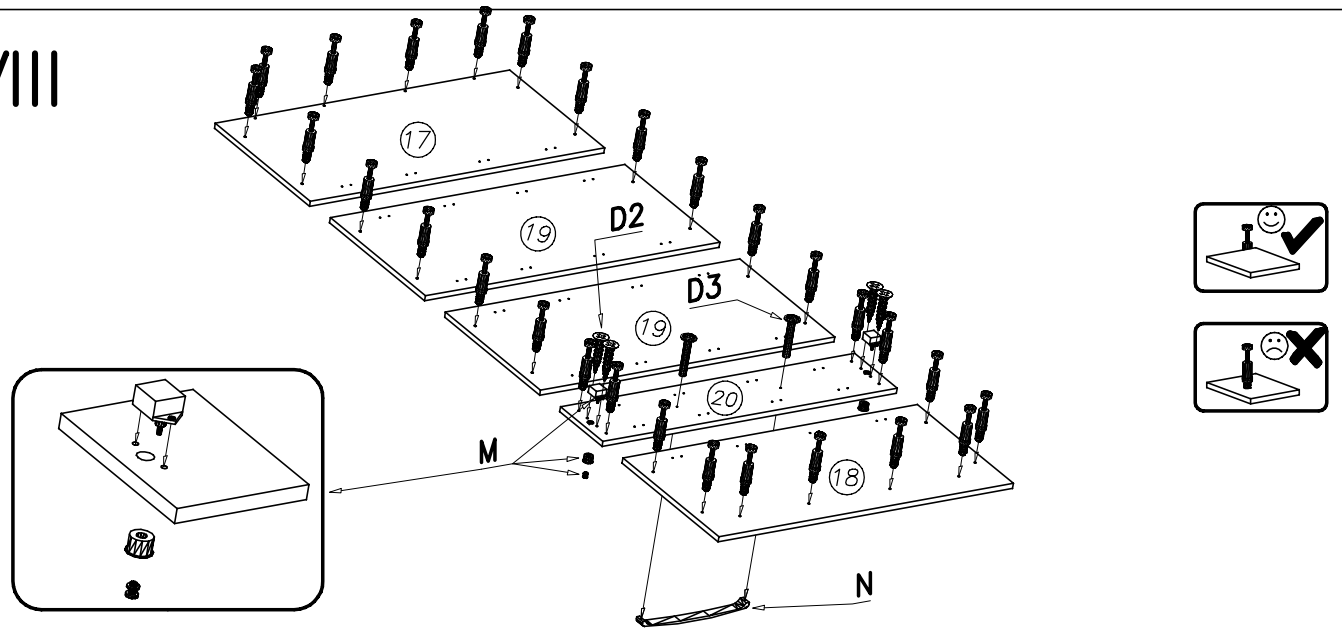
XVI



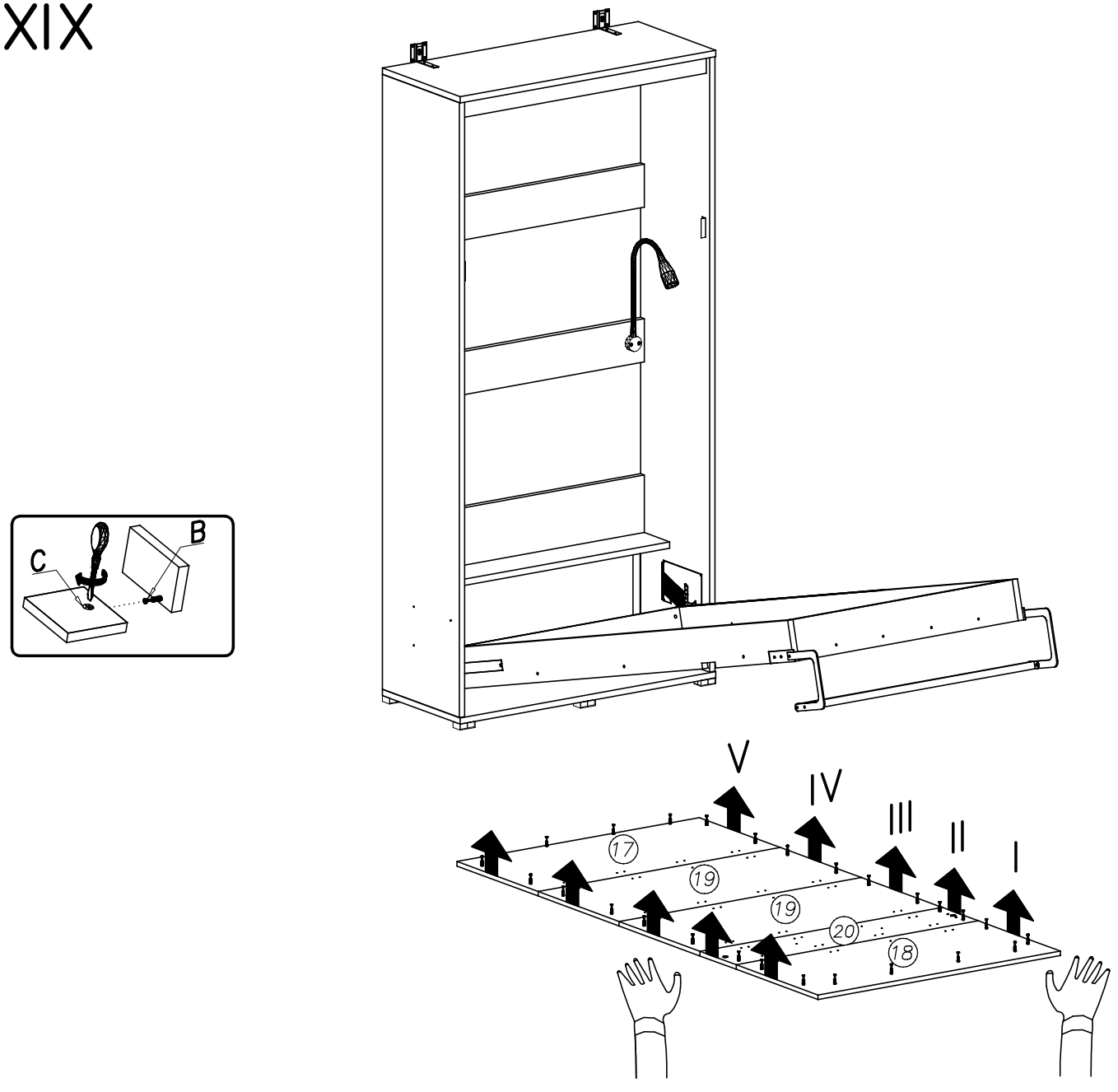
XVII



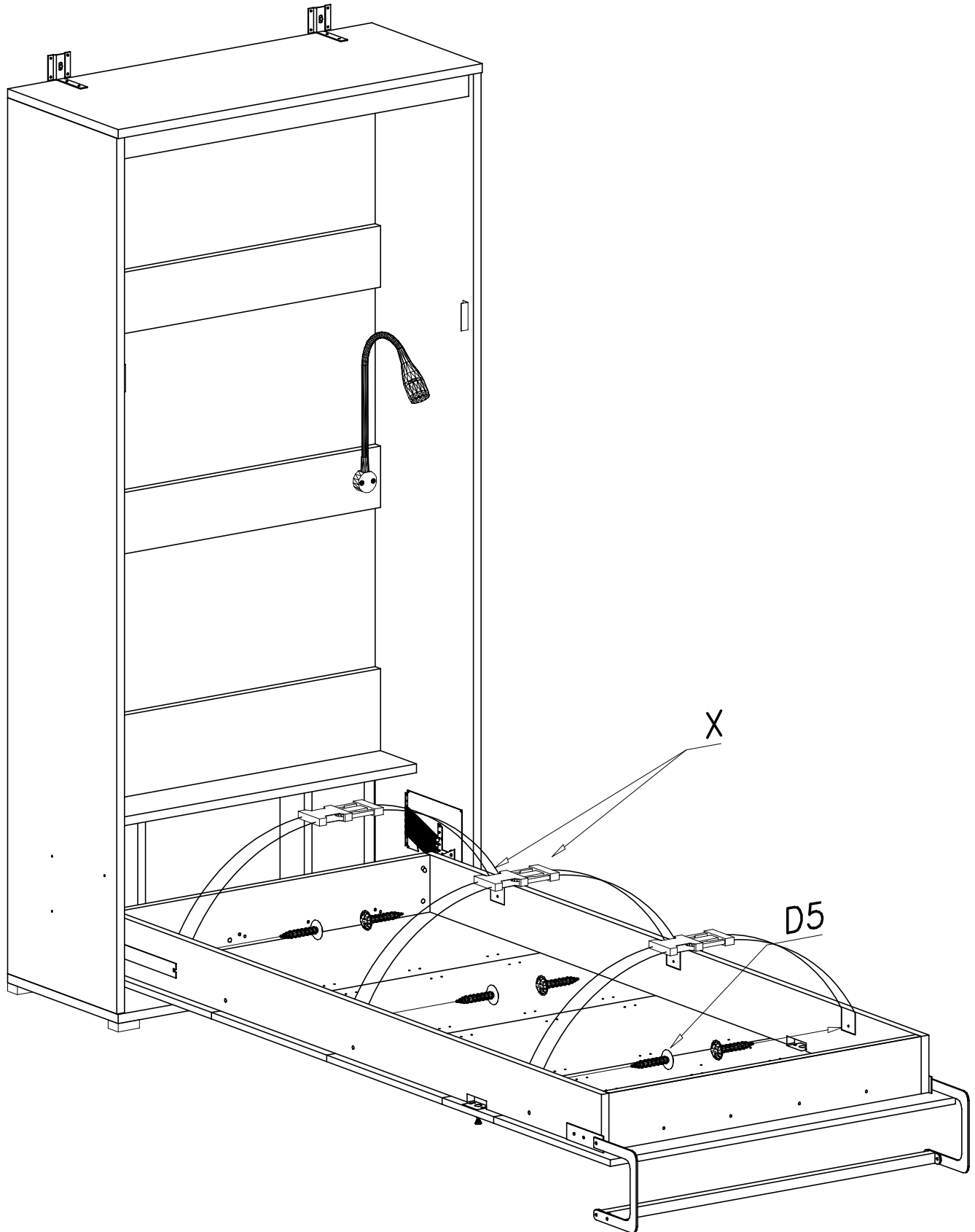
XVIII



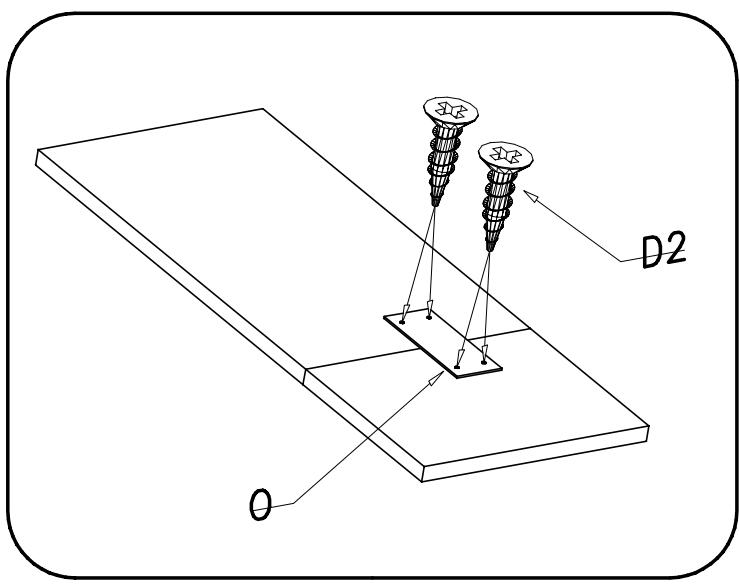
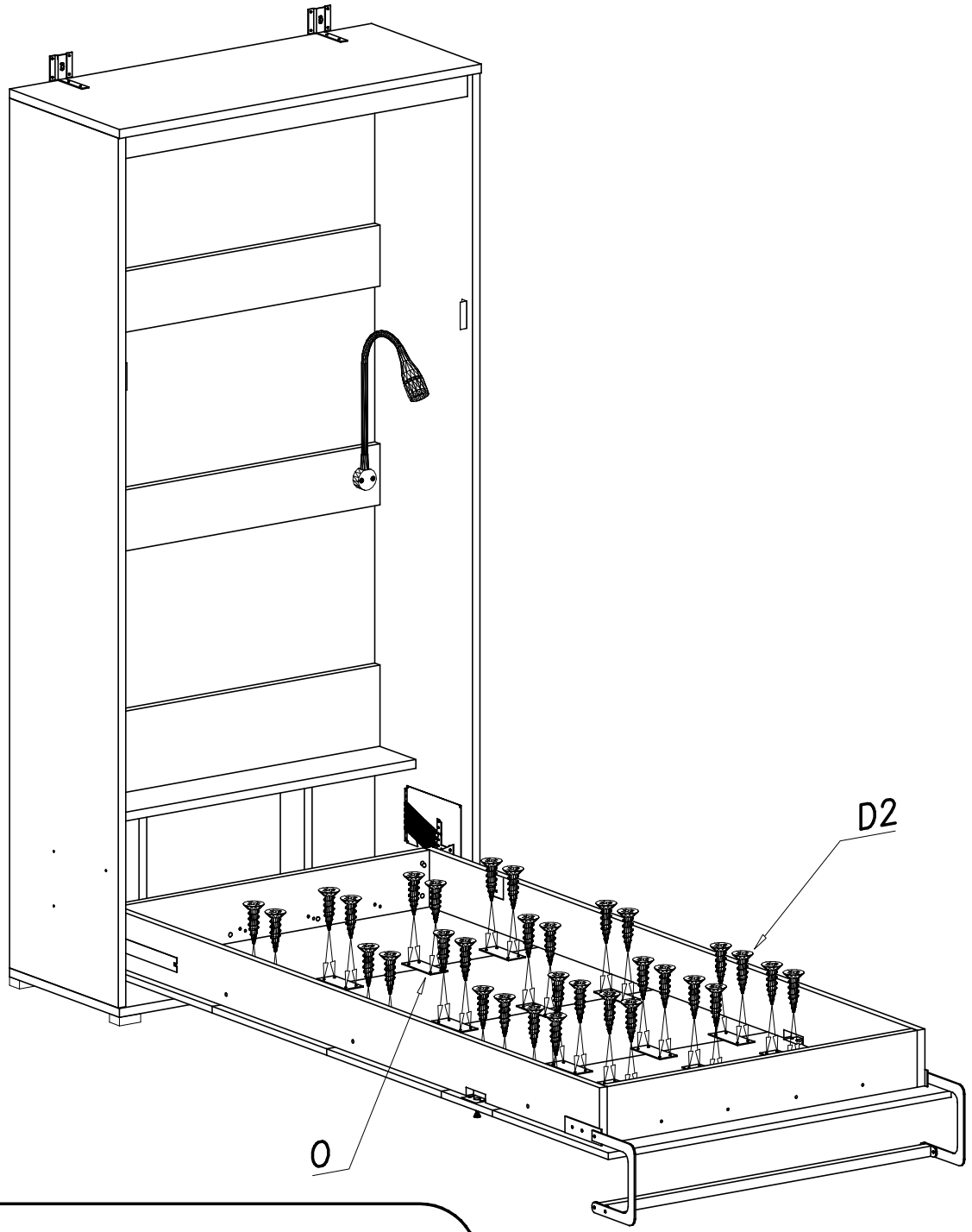
XIX



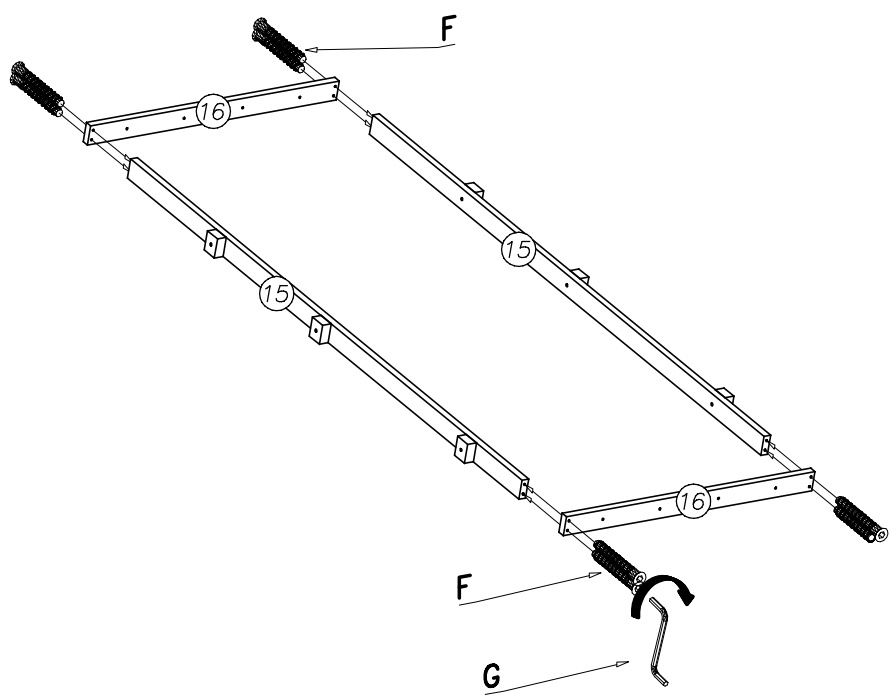
XX



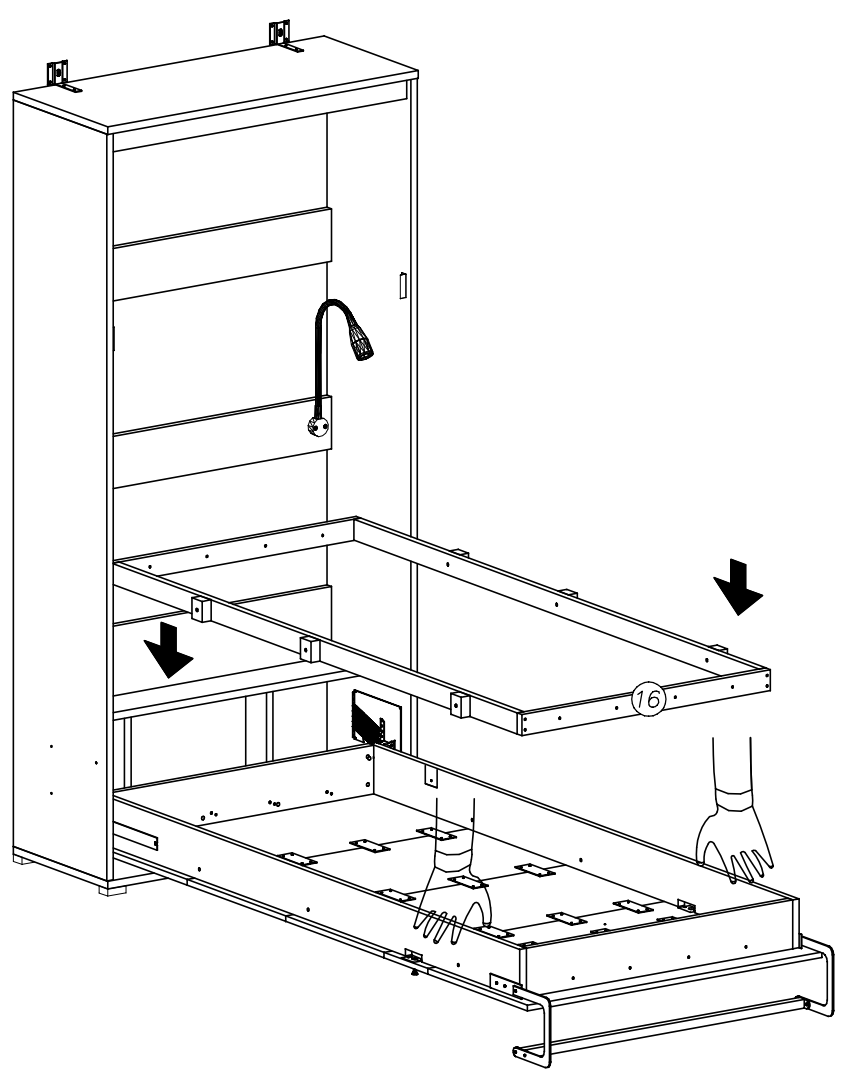
XXI



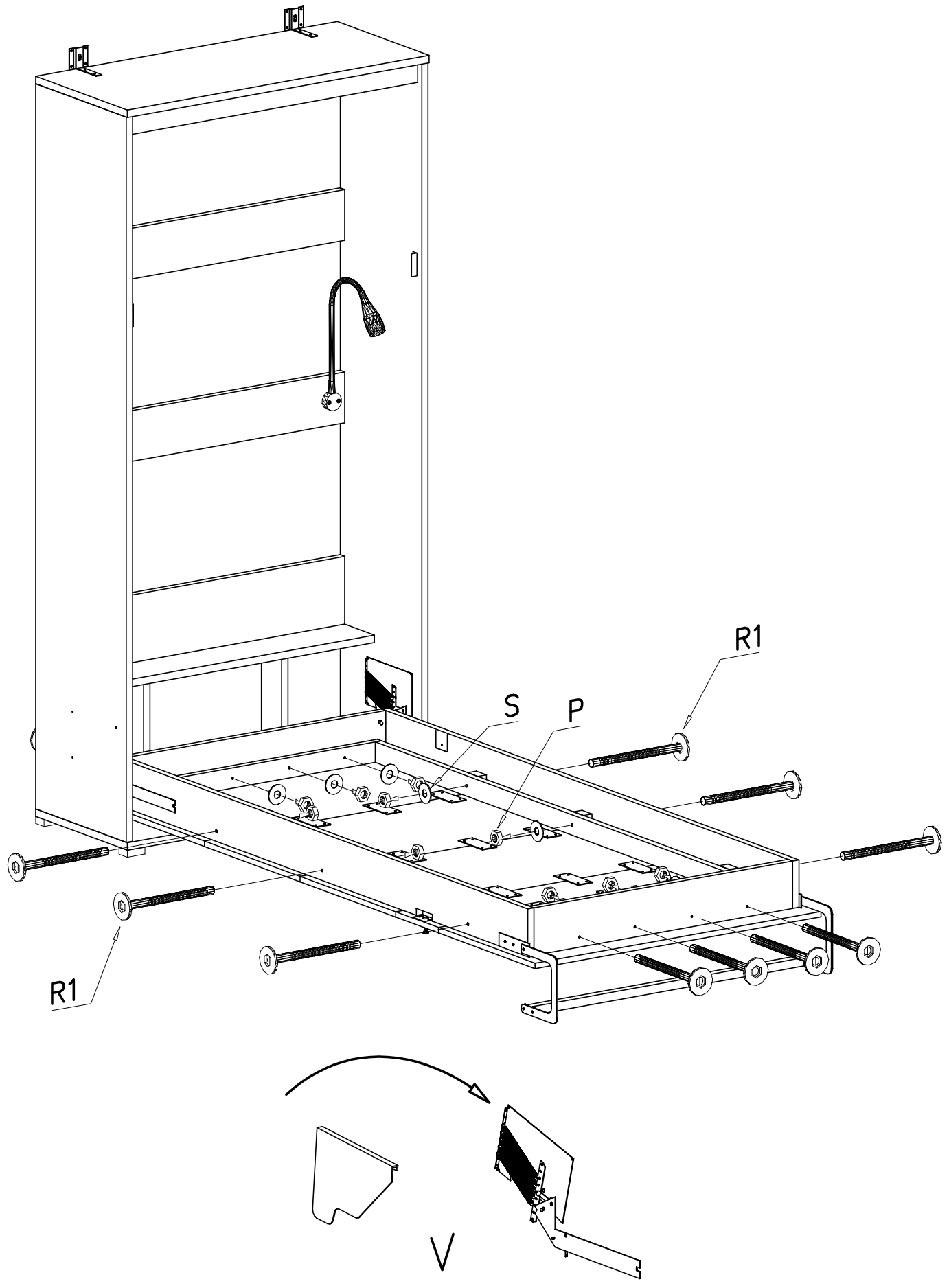
XXII



XXIII



XXIV



XXV

