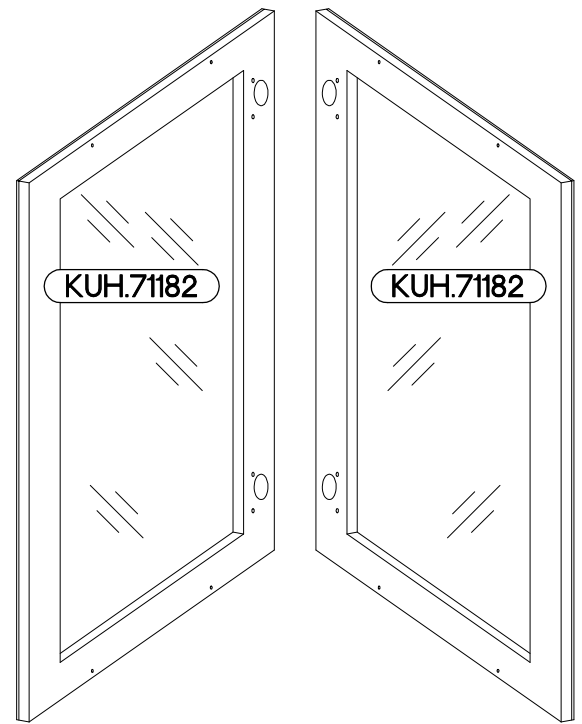
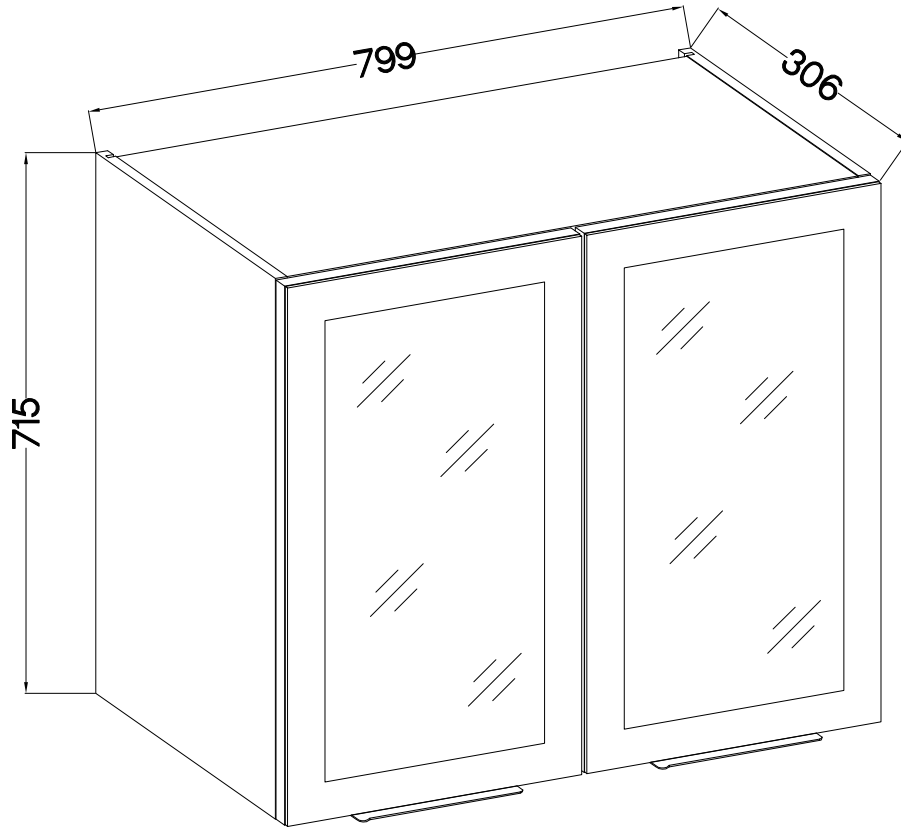
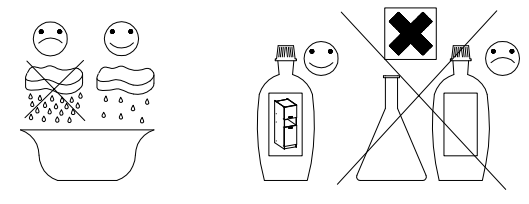


80 GS-72 2F
FRONT



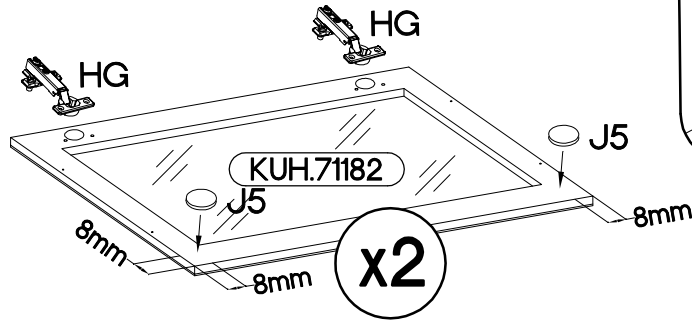
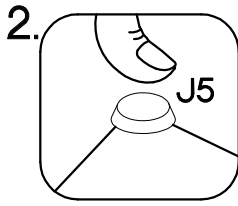
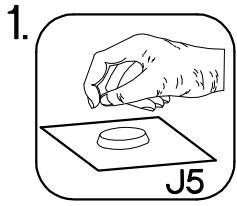
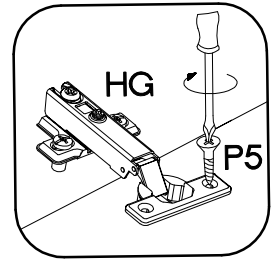
L=192mm	±7/2mm
S	J5
2	4

Ersatzteil Nummer	Dimension
KUH.71182 x2	713x396x17

ISM-KUH-02043

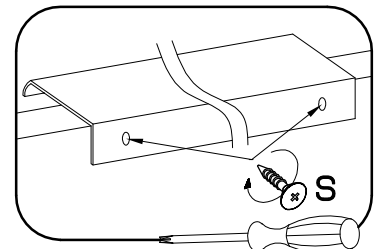
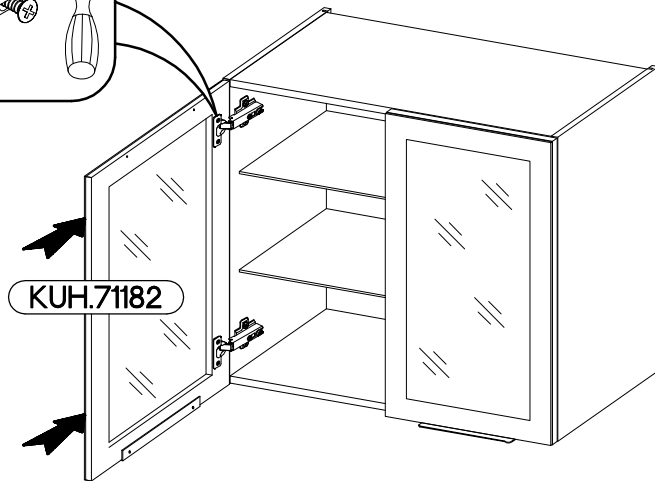
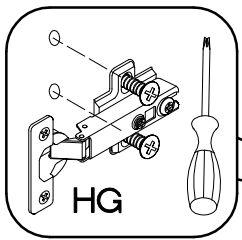
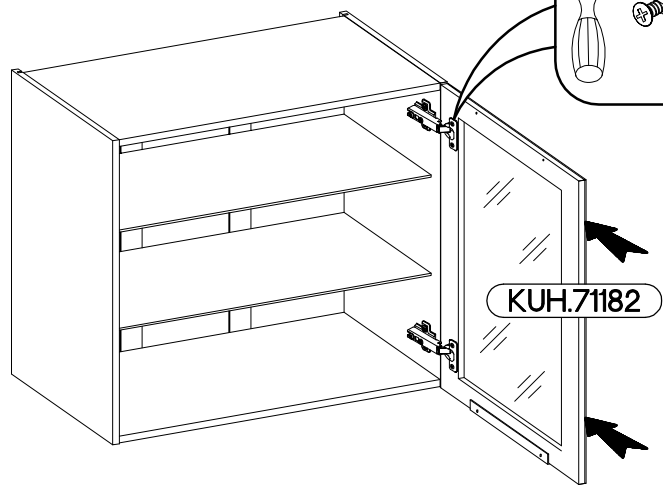
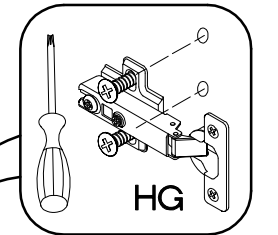
1

±35/0mm [CD] HG 4	±3.5x13mm P5 8	±7/2mm J5 4
-------------------------	----------------------	-------------------



2

L=192mm
S
1



VARIANT HIGH GLOSS

