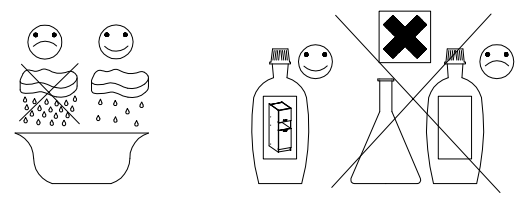
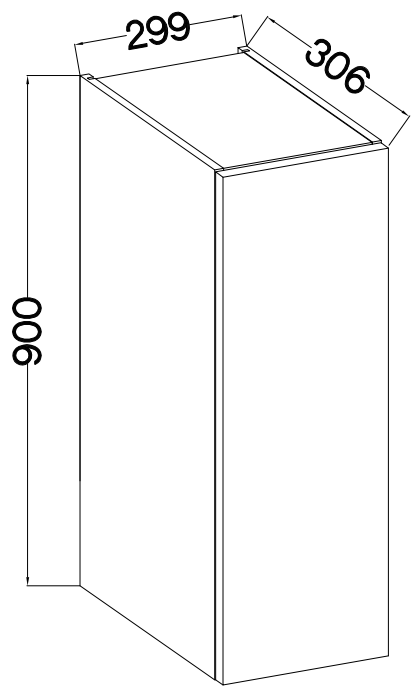
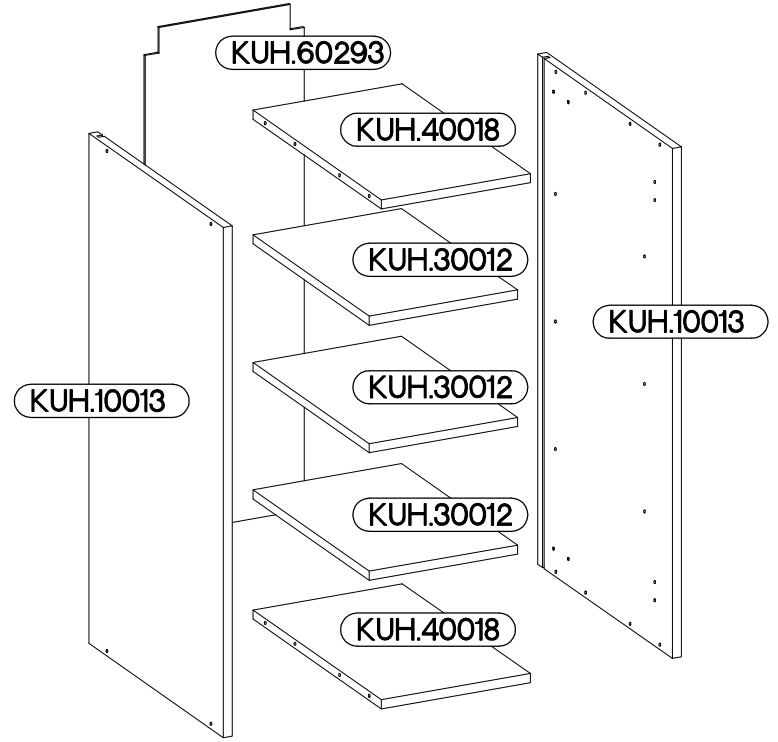
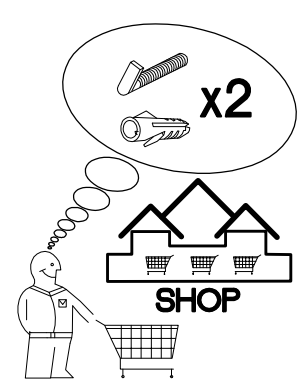
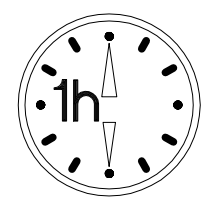


Ø10mm
30 G-90 1F

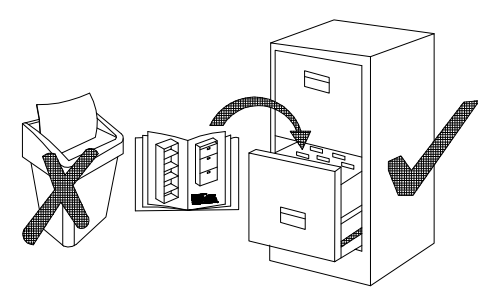


max. 5kg
KUH.30012
KUH.40018

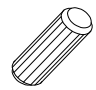
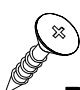
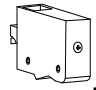


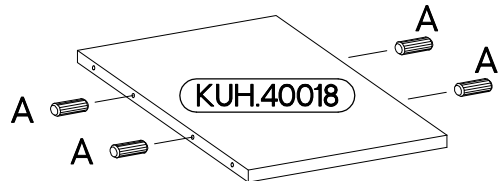
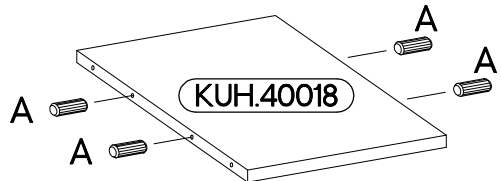
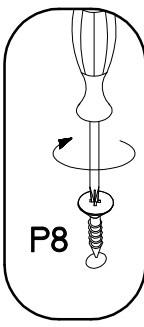
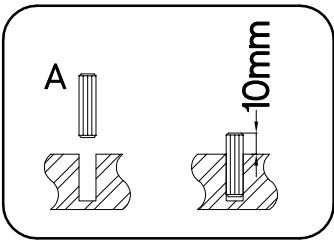
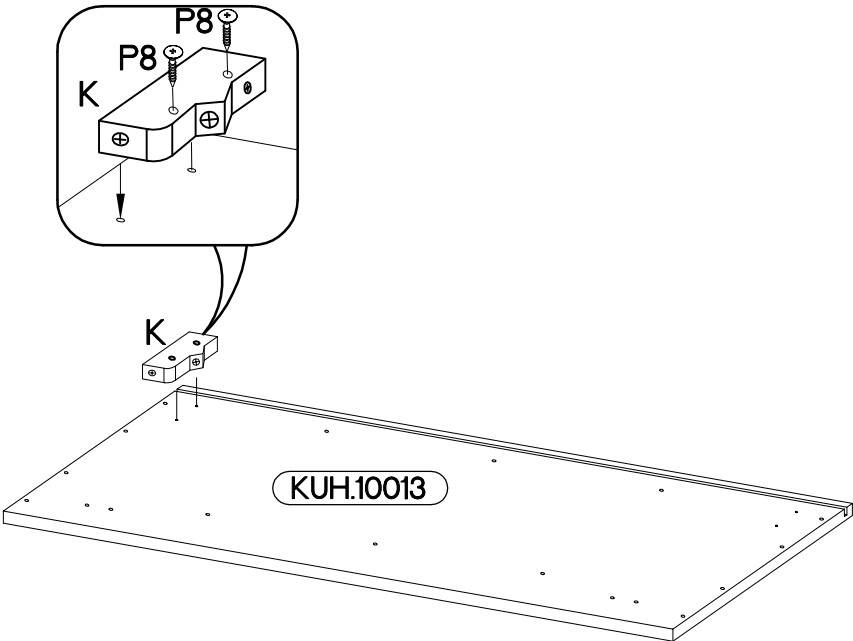
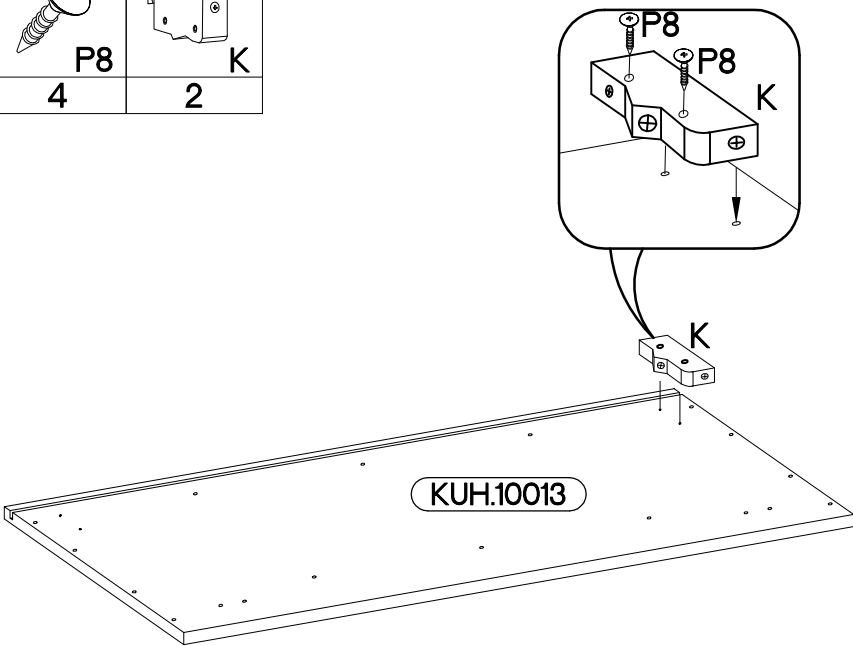
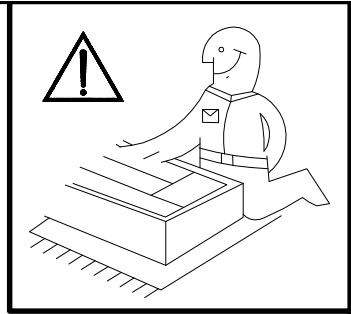
| Ersatzteil Nummer | Dimension |
|-------------------|-------------|
| KUH.10013 x2 | 900x290x16 |
| KUH.30012 x3 | 266x250x16 |
| KUH.40018 x2 | 267x276x16 |
| KUH.60293 | 896x285x2,5 |

| | | | | | |
|--------------------|-------------------|--------------------|--------------------|-----------------------|--------------------|
| A 8 | B 8 | E1 8 | HG 2 | | |
| J 12 | K 2 | O 1 | P5 4 | P7 8-10 | P8 4 |

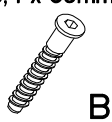
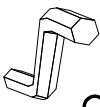



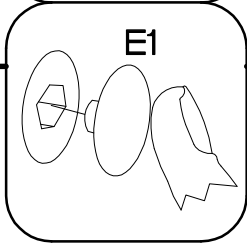
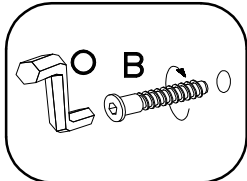
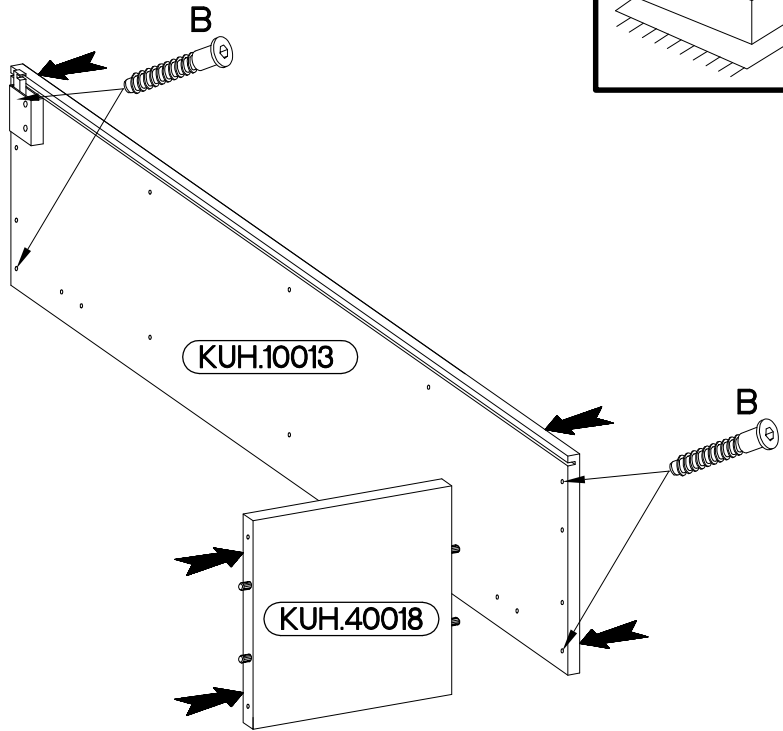
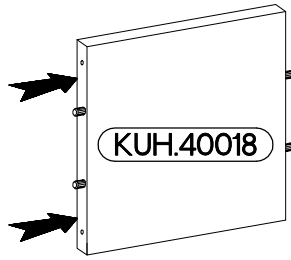
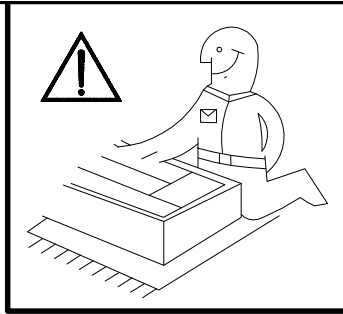
ISM-KUH-01172

| | | |
|--|---|---|
|  ‡8x30mm A |  ‡4.0x30mm P8 |  K |
| 8 | 4 | 2 |

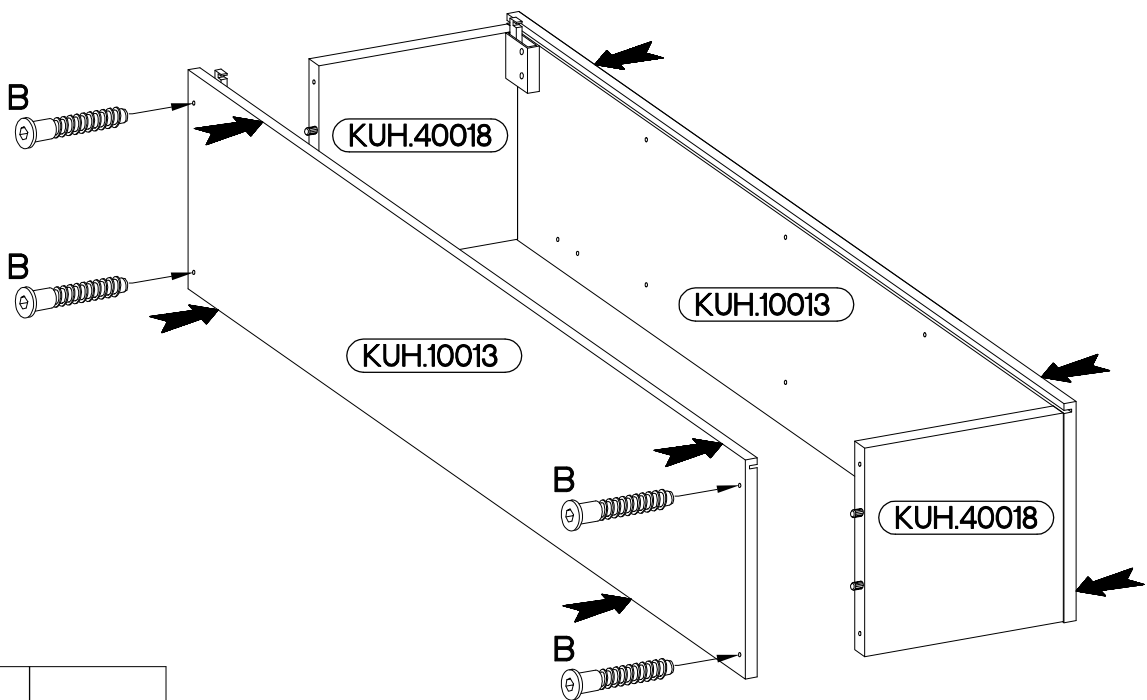



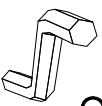

2

| | | |
|--|--|--|
| 6,4 x 50mm | | |
|  |  |  |
| B | O | E1 |
| 4 | 1 | 4 |

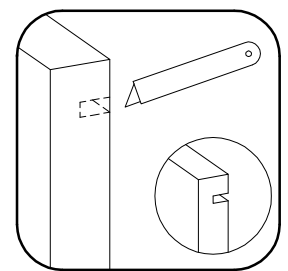
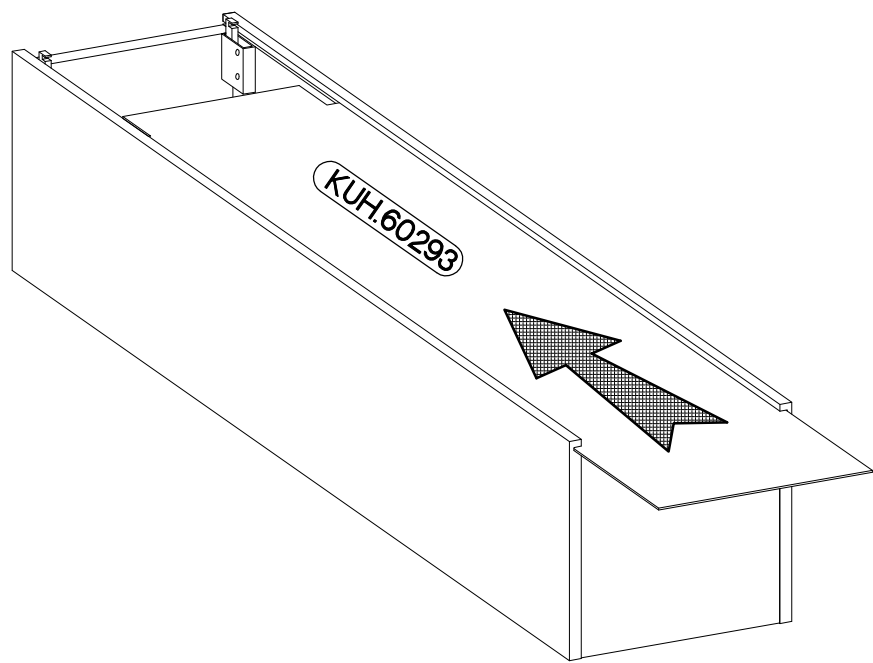
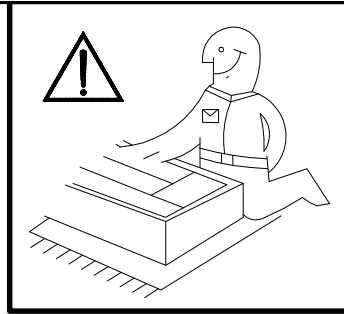


3

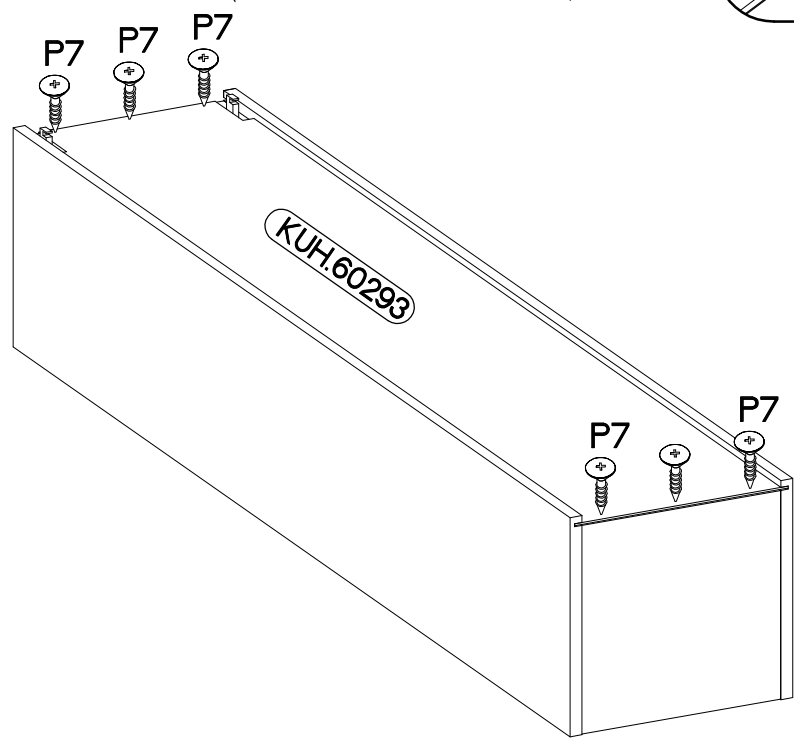
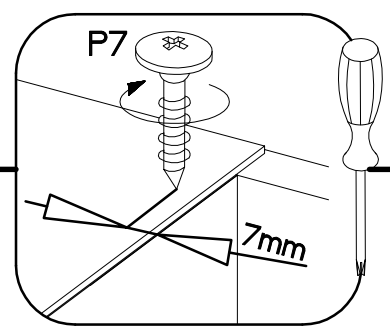
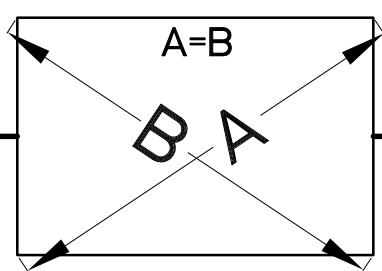
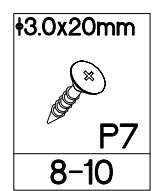


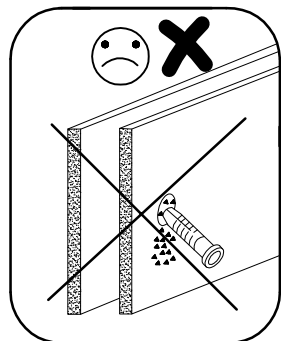
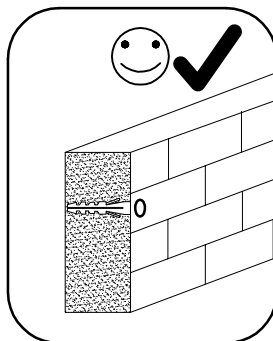
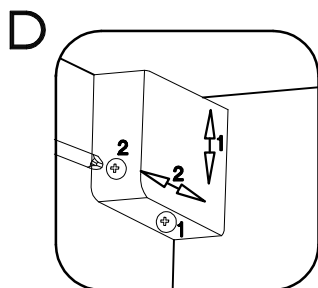
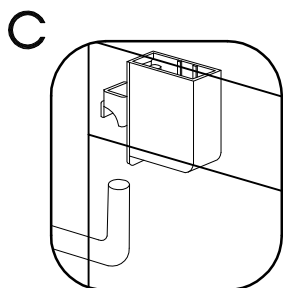
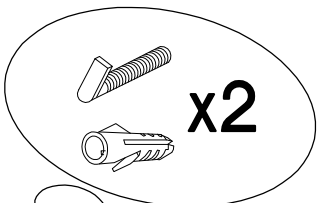
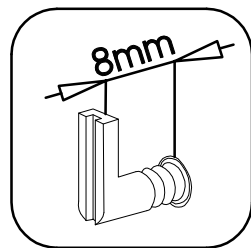
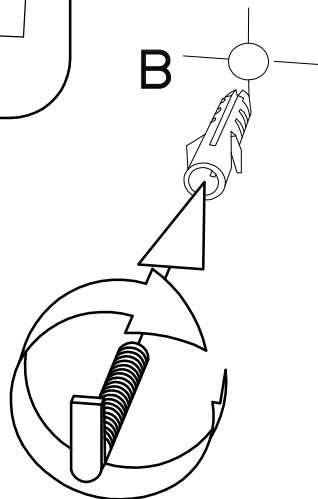
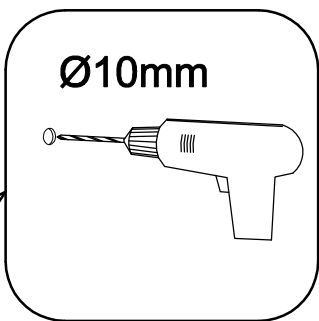
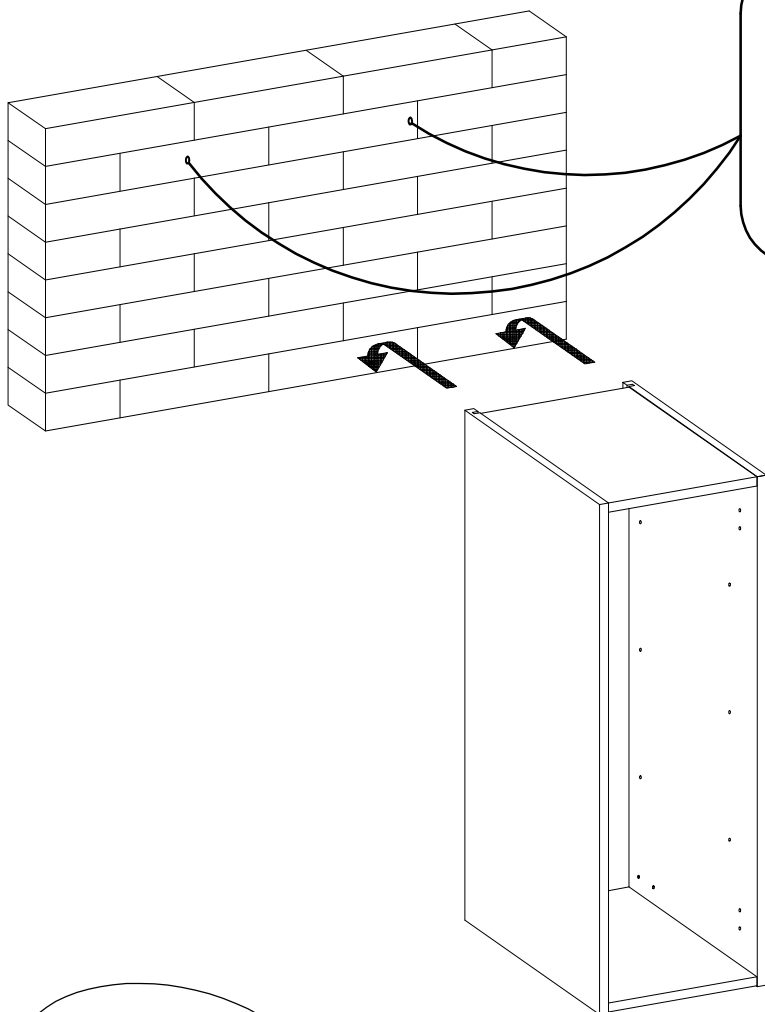
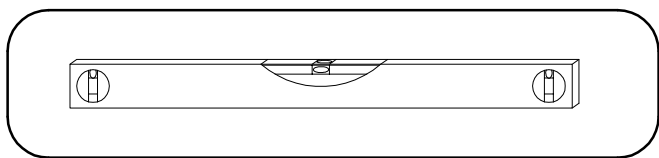
| | | |
|--|---|---|
| 6,4 x 50mm | | |
|  |  |  |
| B | O | E1 |
| 4 | 1 | 4 |

4



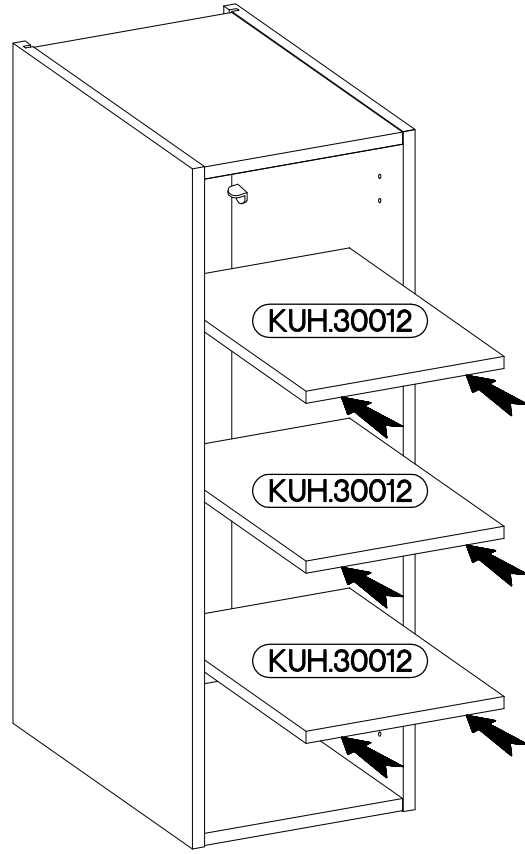
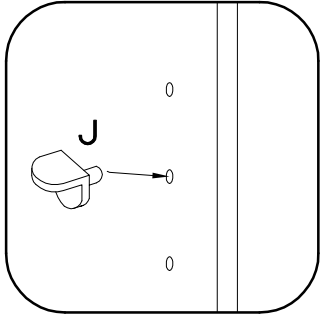
5





7

±5/19mm
J
12



8

FRONT

