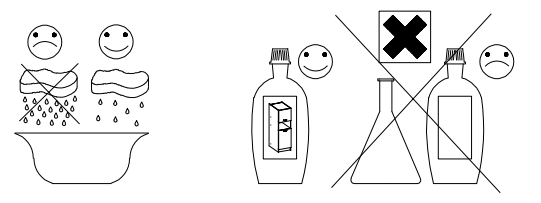
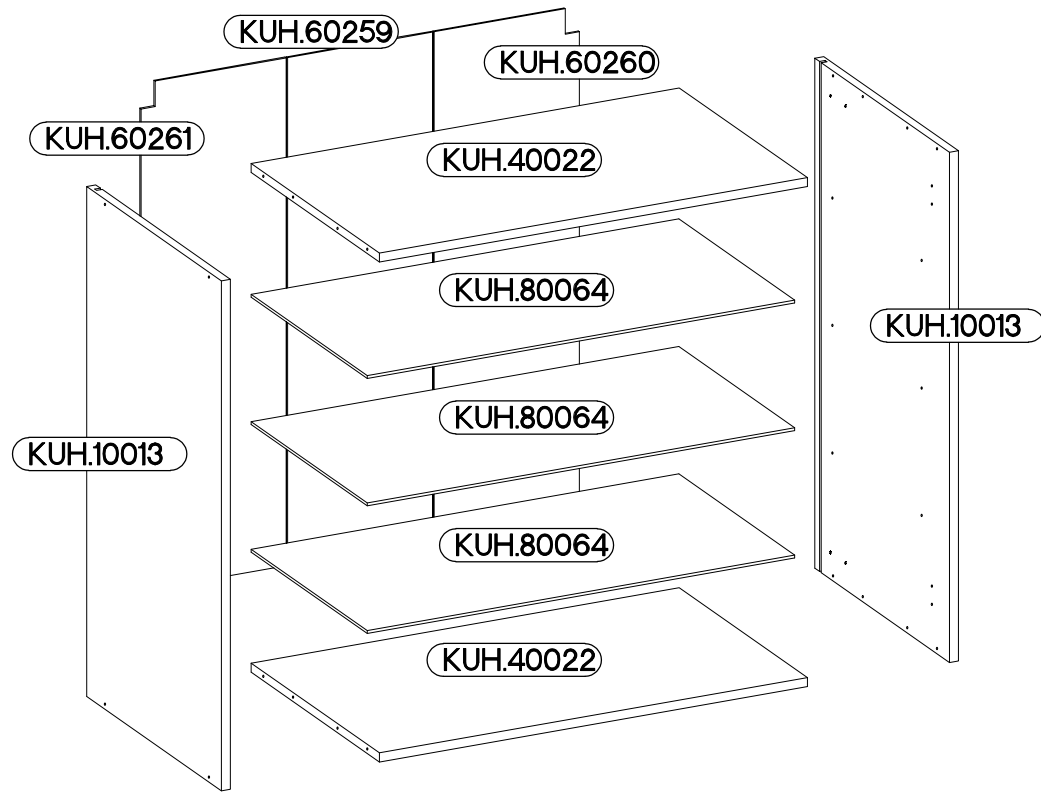
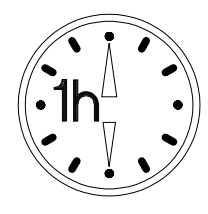


80 GS-90 2F

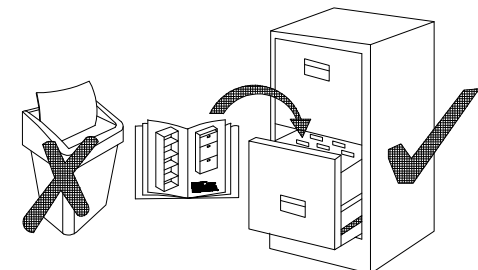


KUH.30011
KUH.40022



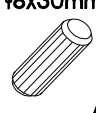

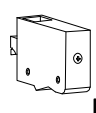
Ersatzteil Nummer	Dimension
KUH.10013 x2	900x290x16
KUH.40022 x2	767x276x16
KUH.60259	896x260x2,5
KUH.60260	896x260x2,5
KUH.60261	896x260x2,5
KUH.80064 x3	766x250x5

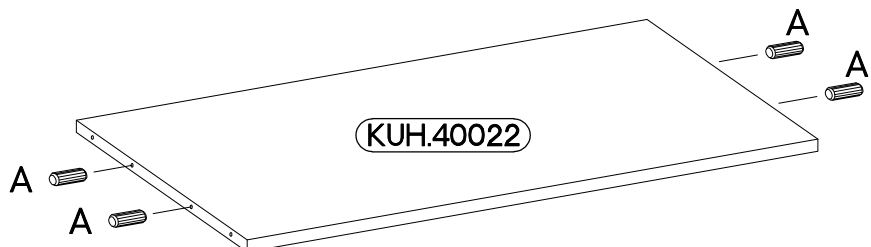
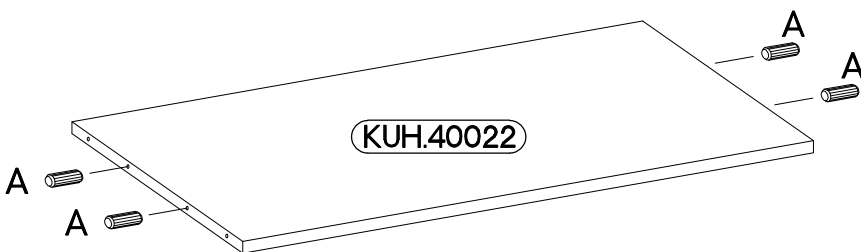
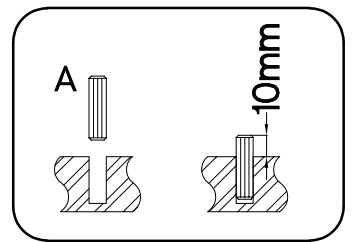
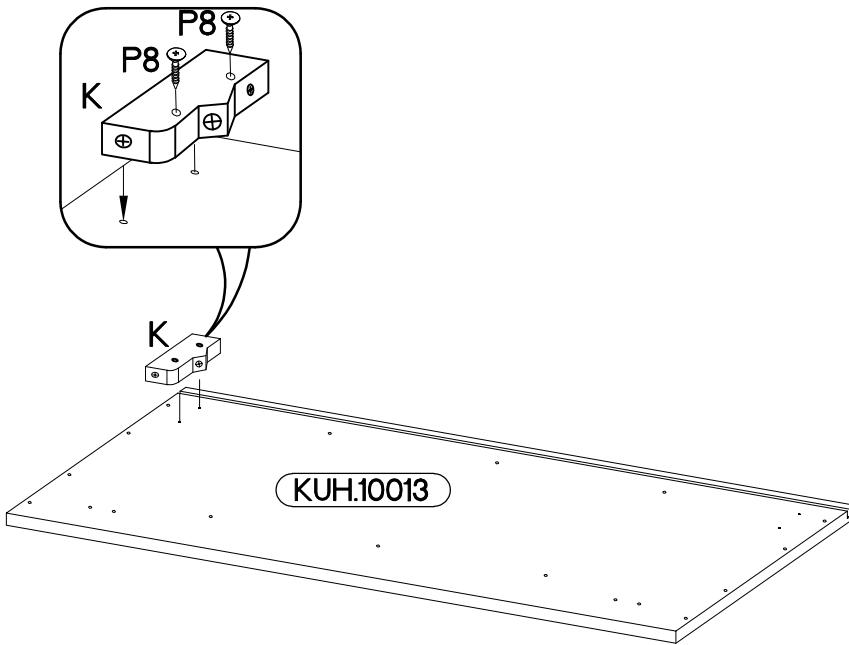
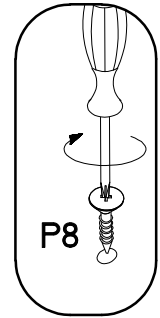
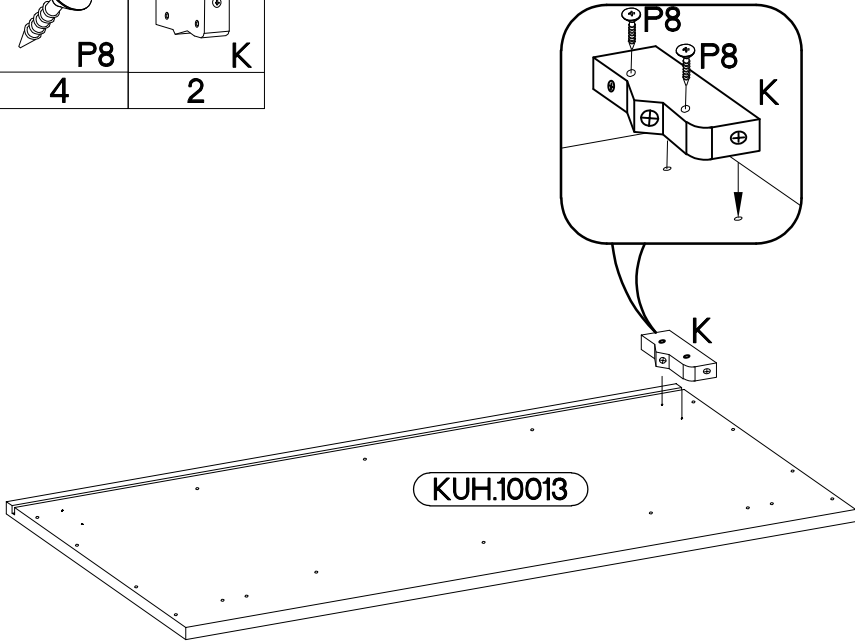
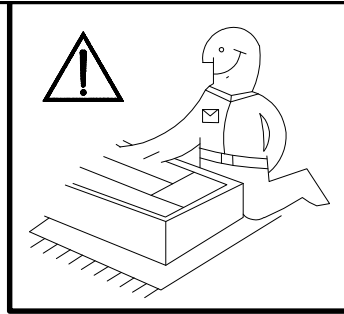
+8x30mm A	6,4 x 50mm B	E1	+35/0mm HG [CD]			
8	8	8	4			
+5/16mm J12	K	L1=865mm L1	O	+3.5x13mm P5	+3.0x20mm P7	+4.0x30mm P8
12	2	2	1	8	15-20	4



ISM-KUH-02005

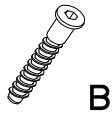


1

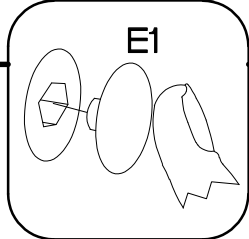
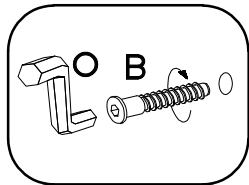
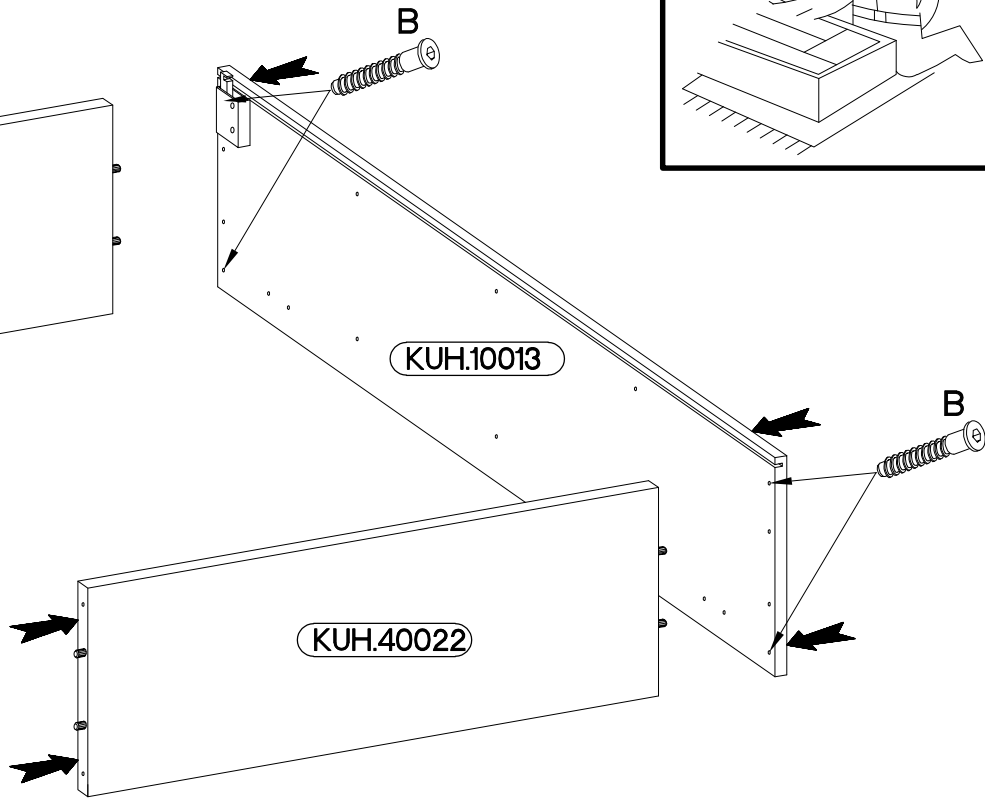
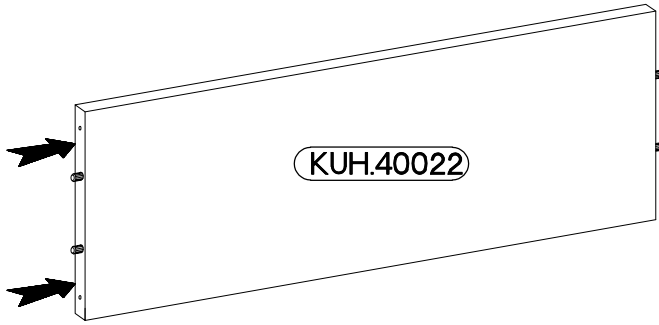
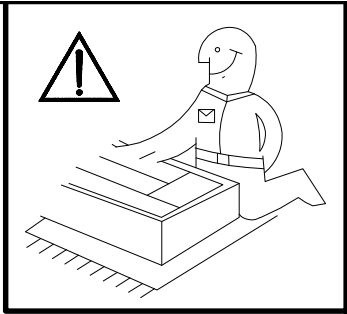
 ‡8x30mm A	 ‡4.0x30mm P8	 K
8	4	2



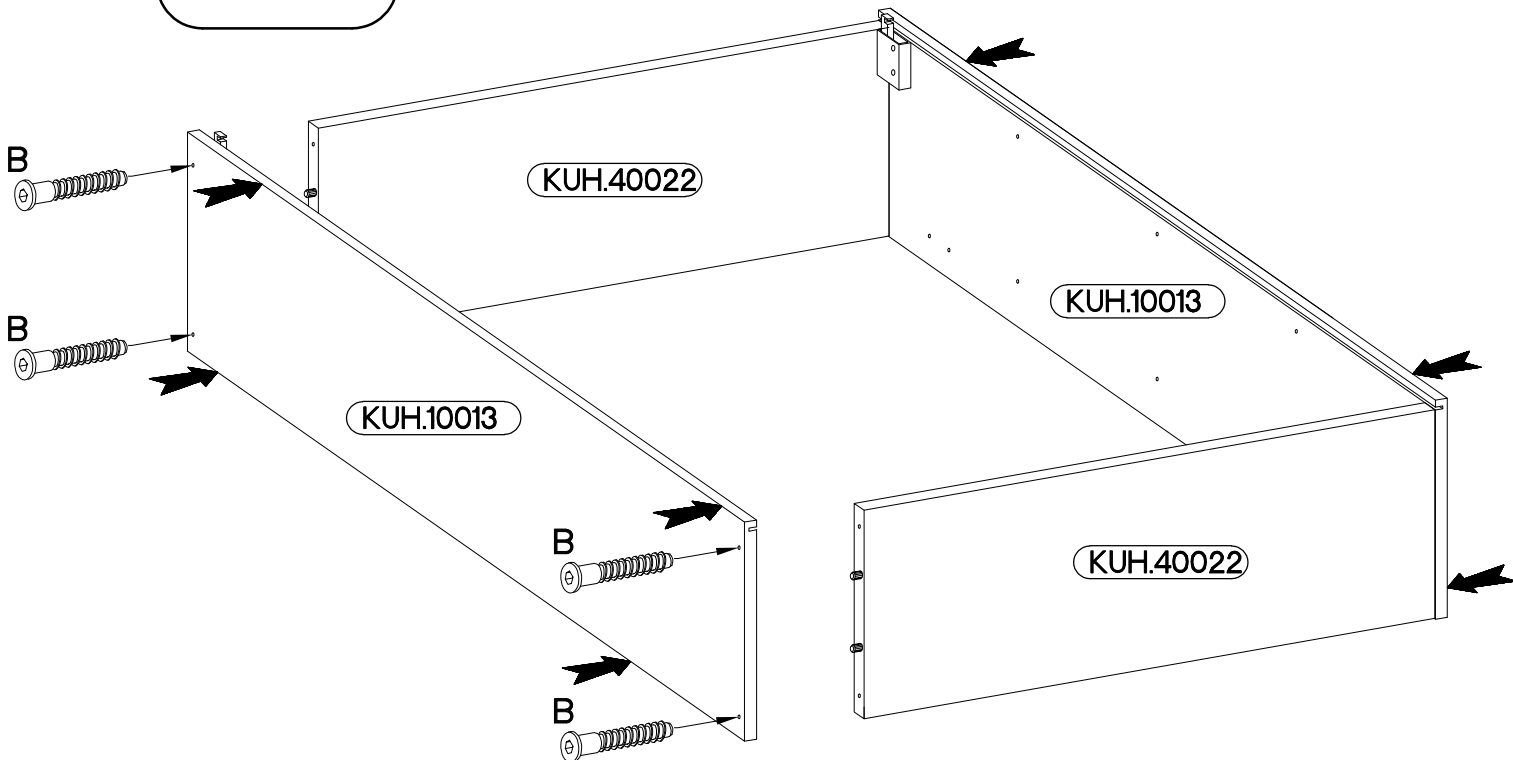
2

6,4 x 50mm

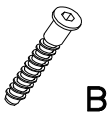


		
B	O	E1
4	1	4



3

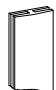


6,4 x 50mm

		
B	O	E1
4	1	4

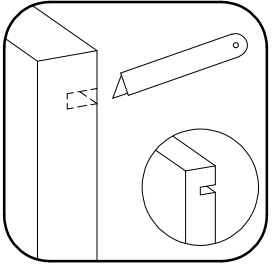
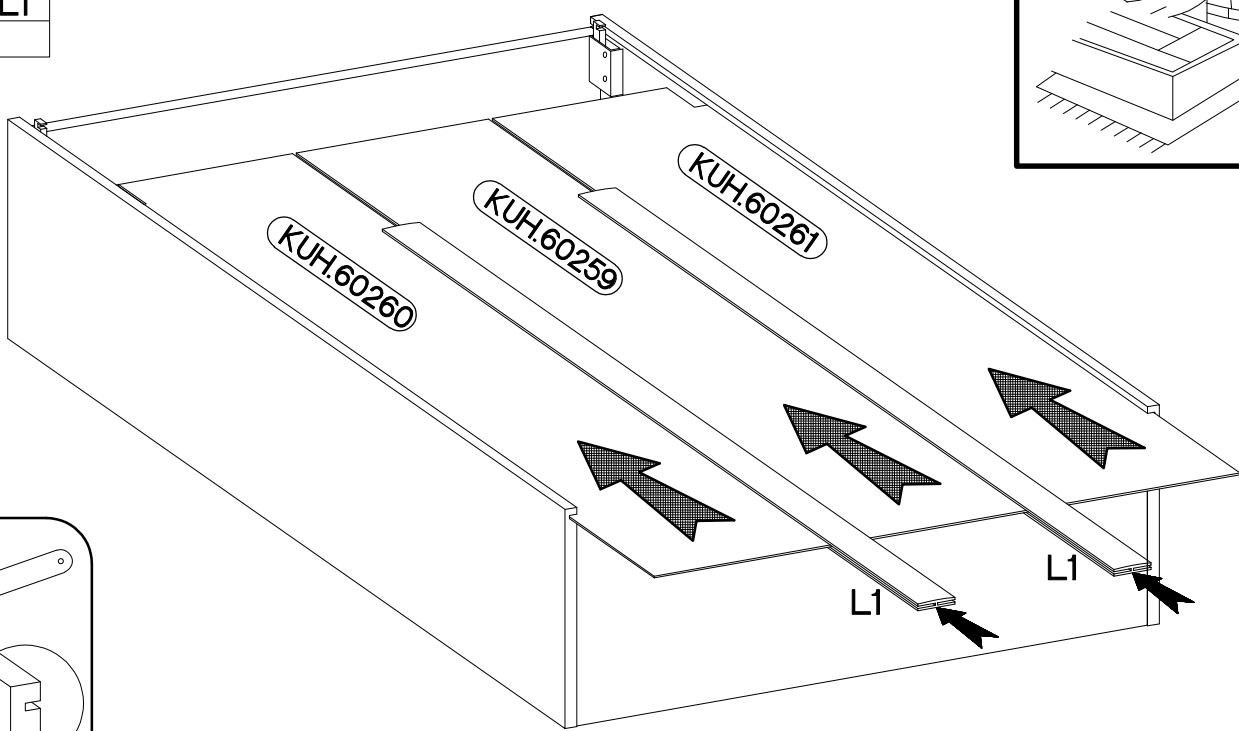
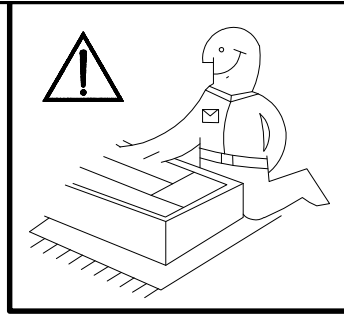
4

L1=865mm




L1

2



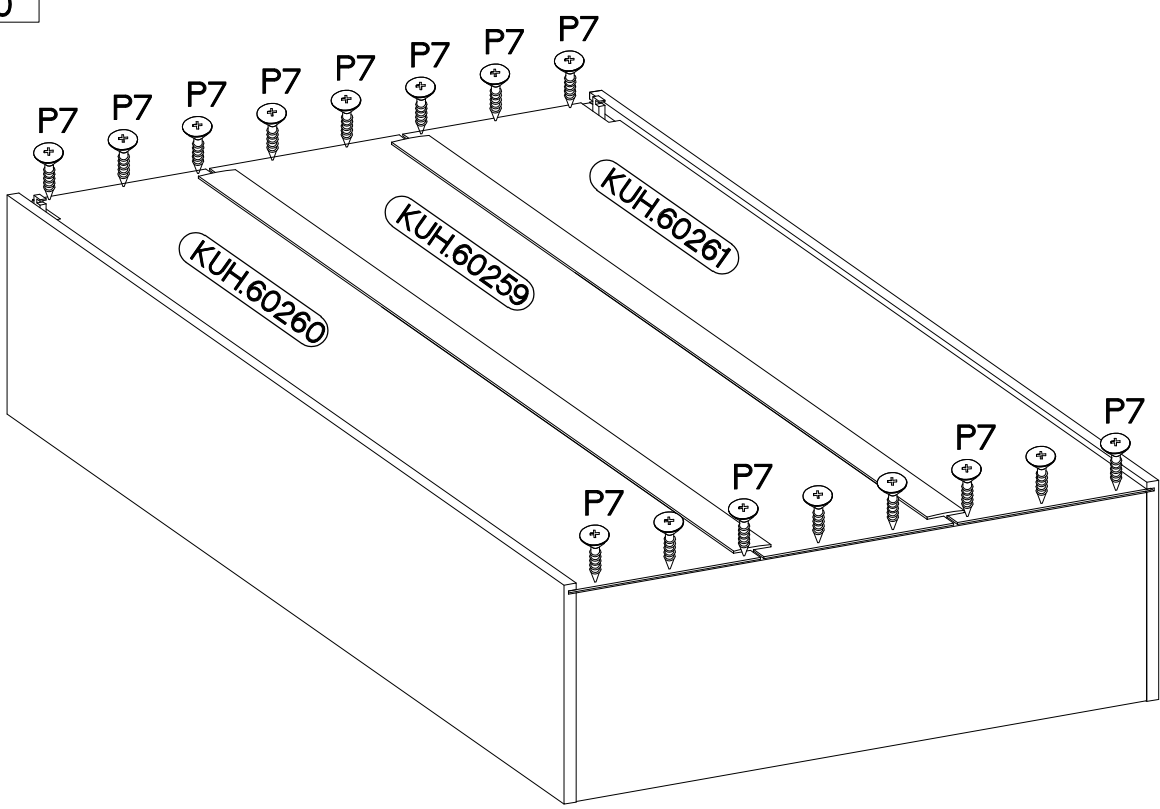
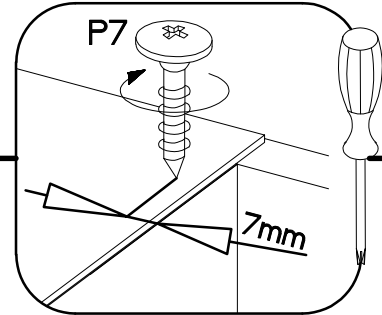
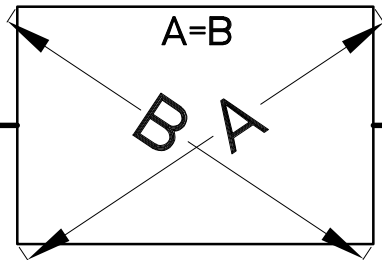
5

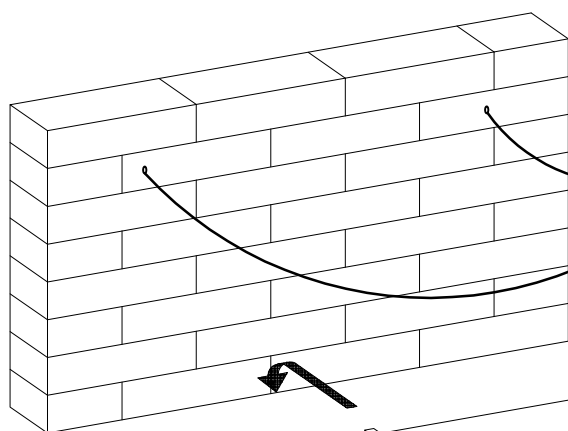
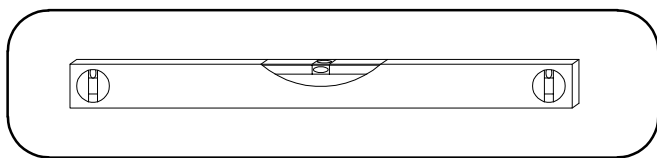
±3.0x20mm



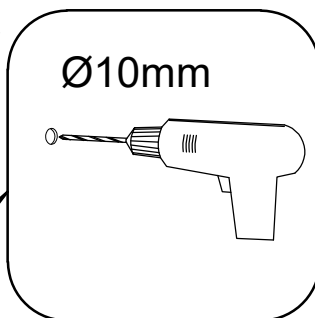
P7

15-20

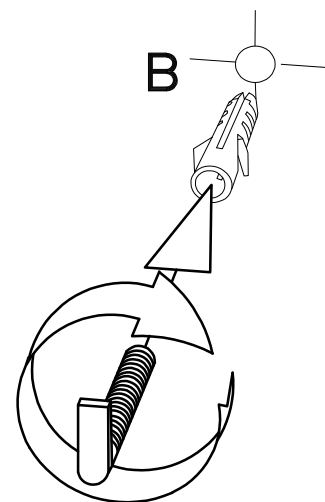
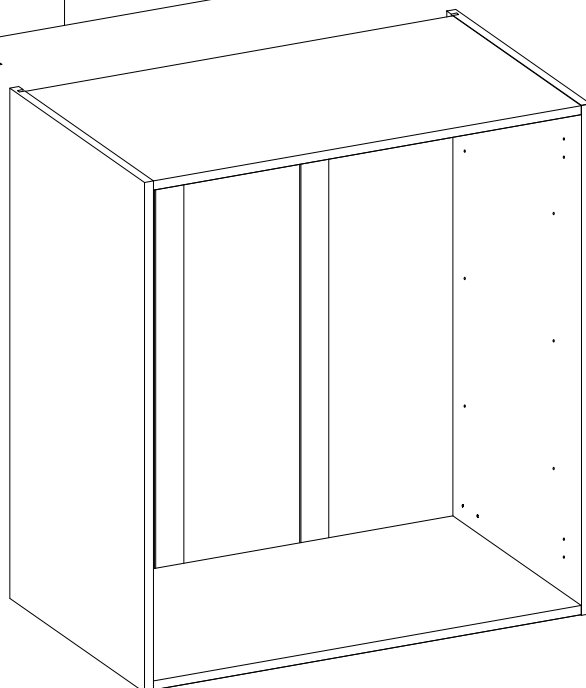




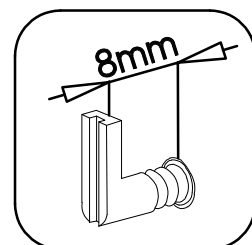
A



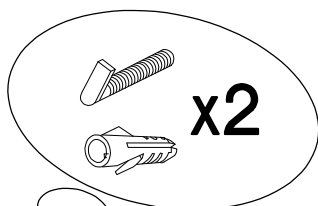
Ø10mm



B



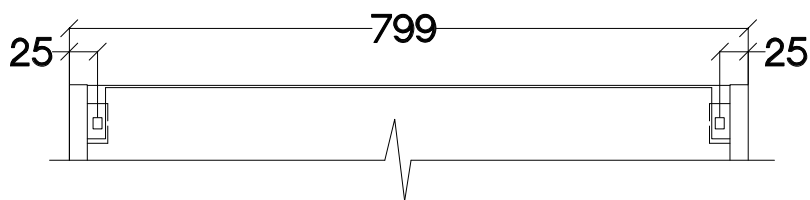
8mm



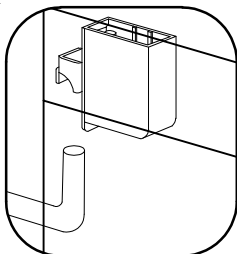
x2



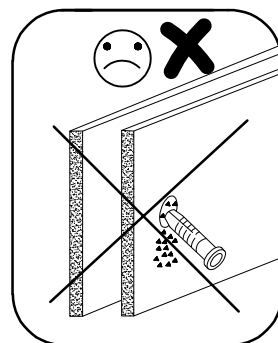
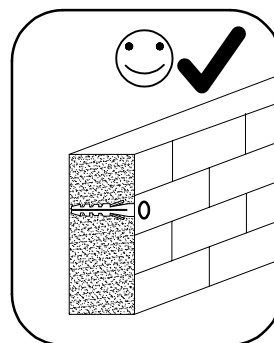
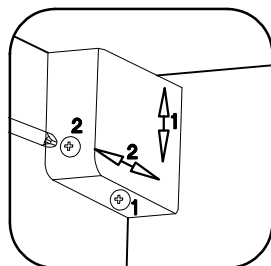
SHOP



C

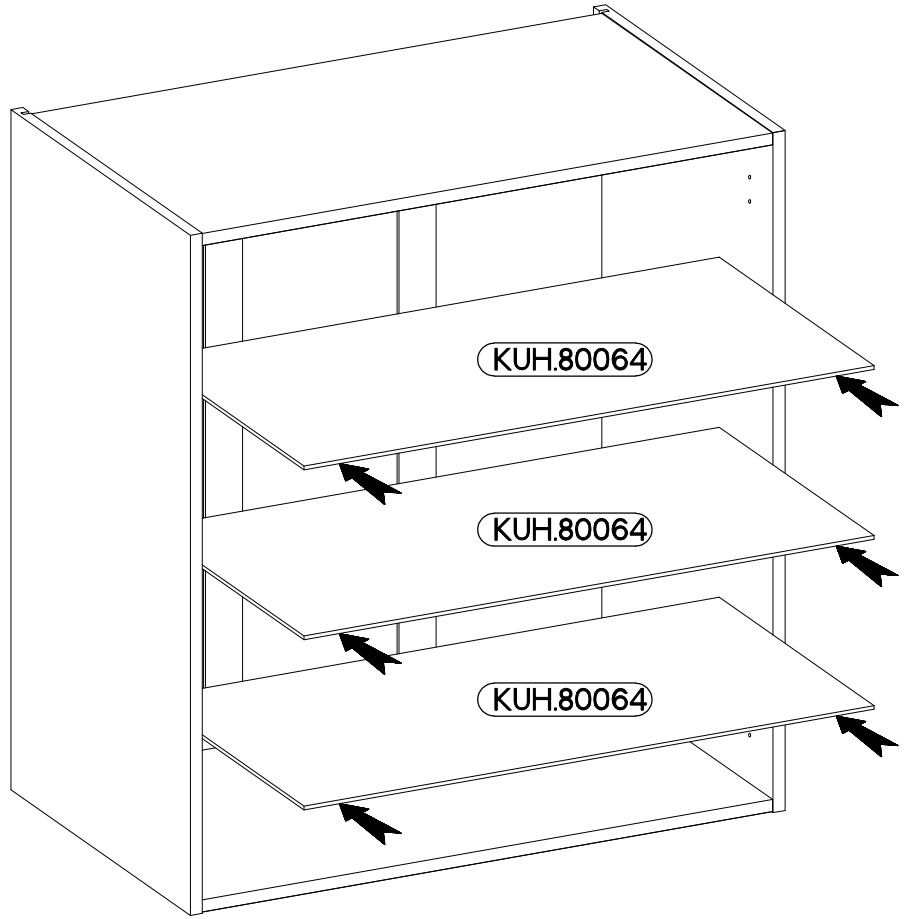
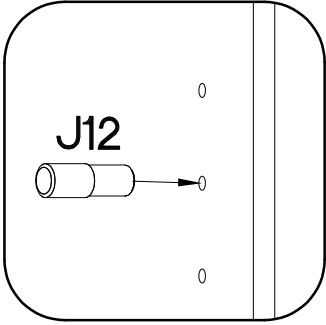


D



7

±5/16mm
J12
12



8

FRONT

