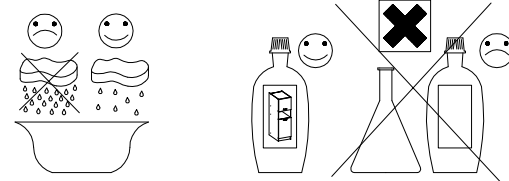
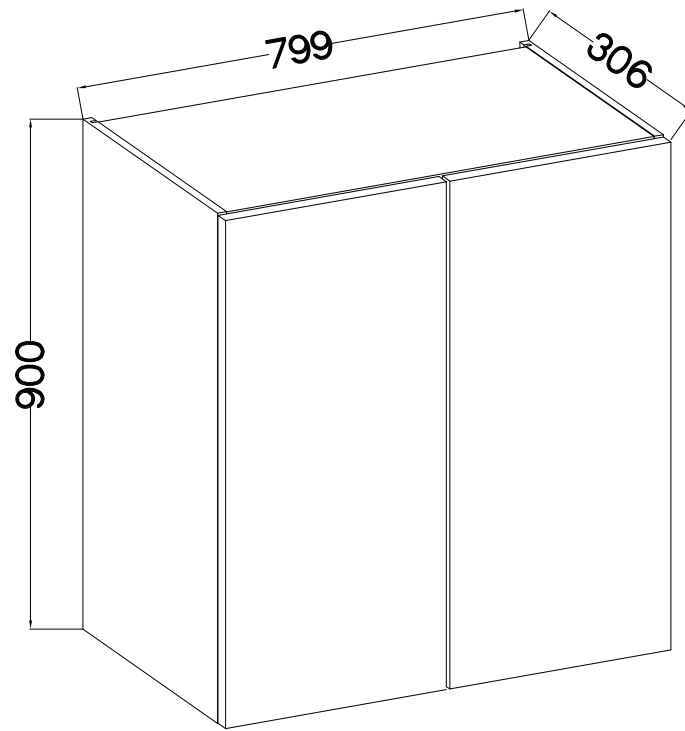
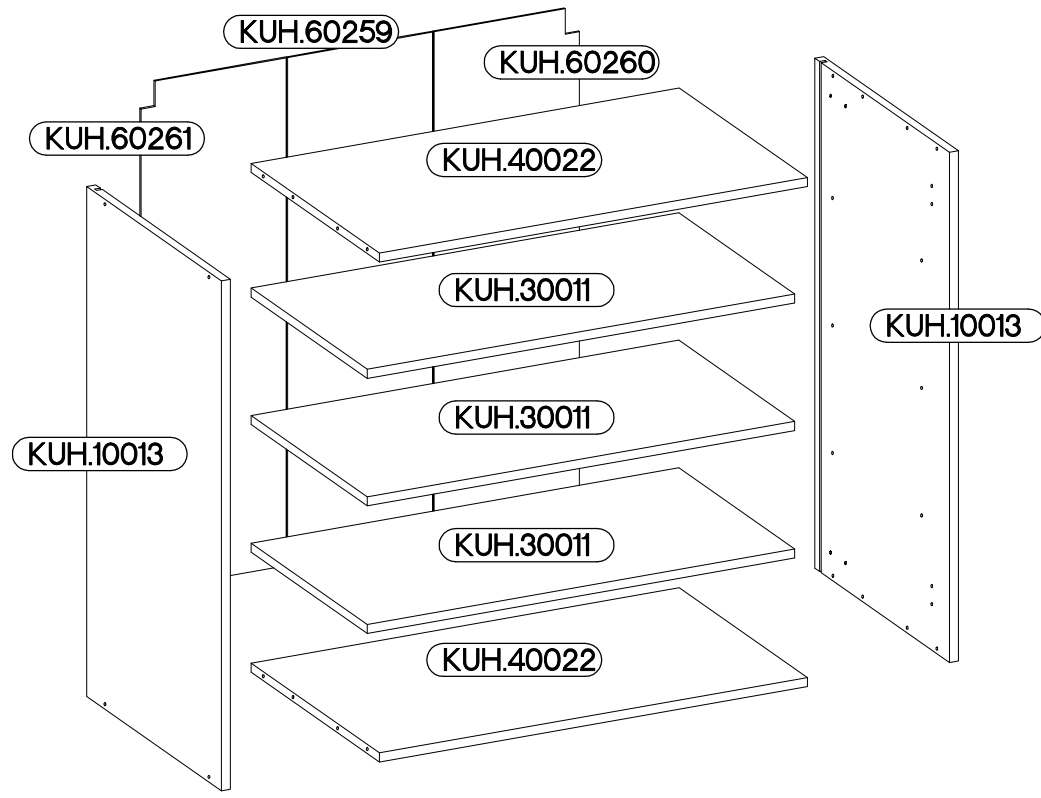
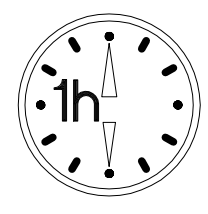


Ø10mm

80 G-90 2F

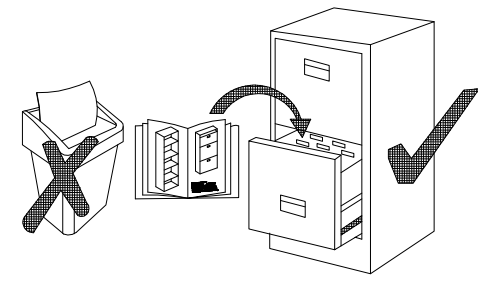


KUH.30011
KUH.40022

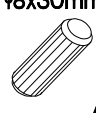

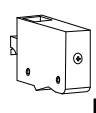


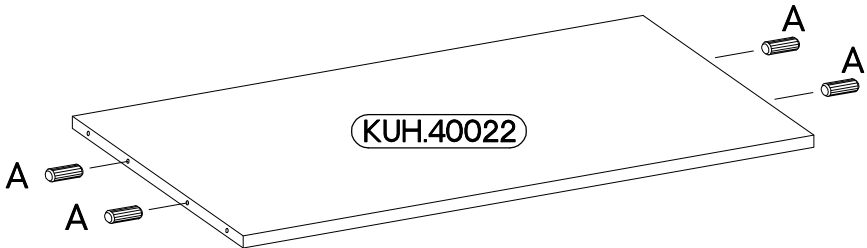
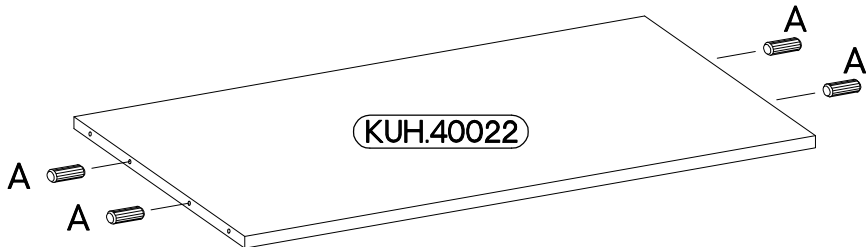
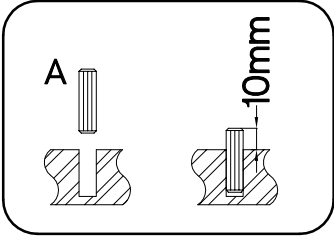
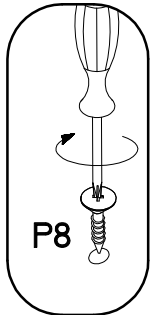
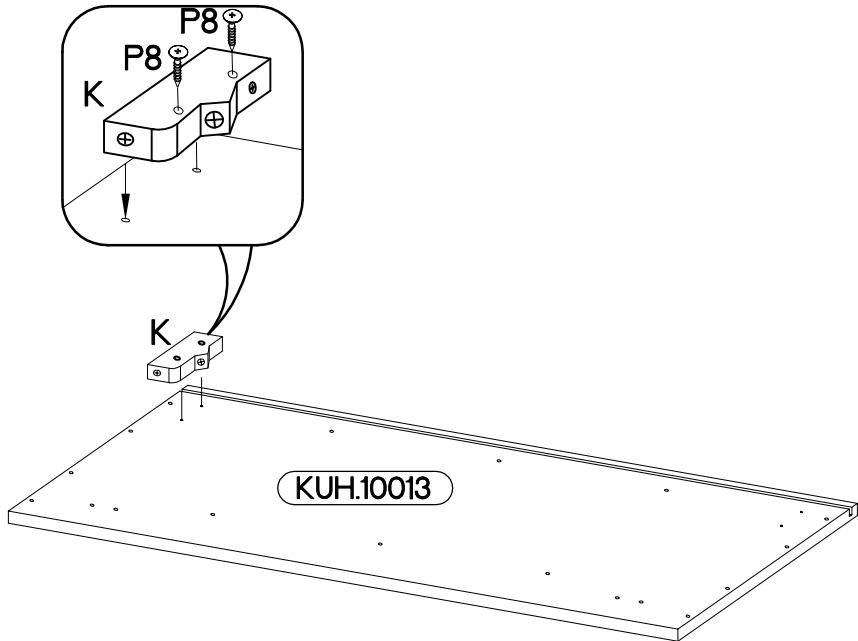
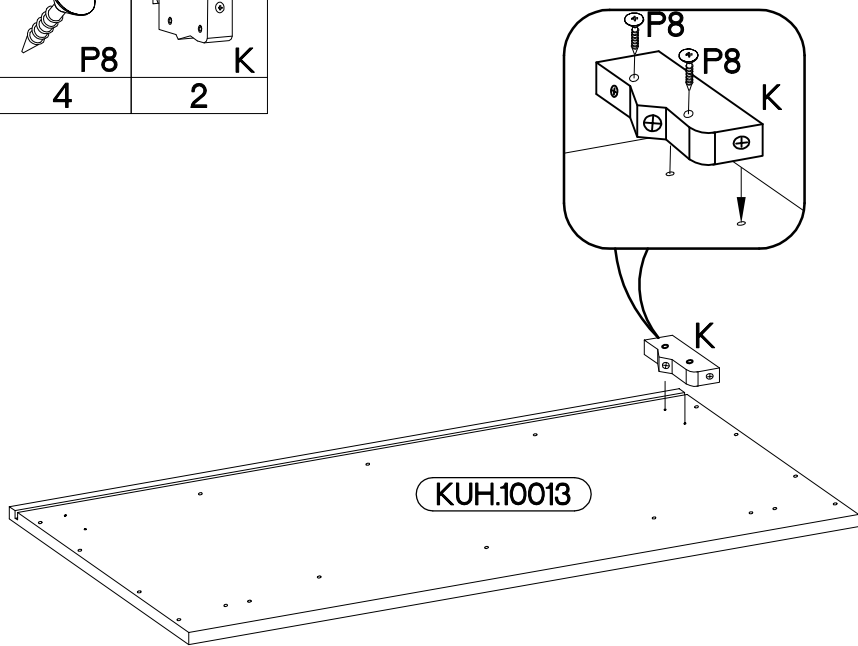
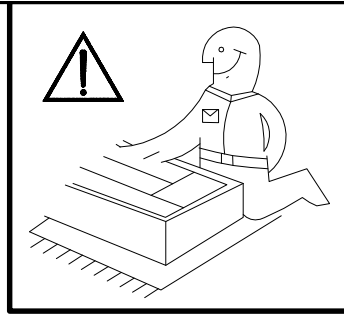
Ersatzteil Nummer	Dimension
KUH.10013 x2	900x290x16
KUH.30011 x3	766x250x16
KUH.40022 x2	767x276x16
KUH.60259	896x260x2,5
KUH.60260	896x260x2,5
KUH.60261	896x260x2,5

+8x30mm A 8	6,4 x 50mm B 8	 E1 8	+35/0mm HG 4			
+5/19mm J 12	 K 2	L1=865mm L1 2	 O 1	+3.5x13mm P5 8	+3.0x20mm P7 15-20	+4.0x30mm P8 4



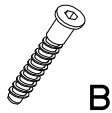


ISM-KUH-01146

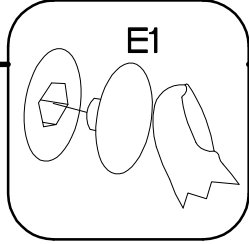
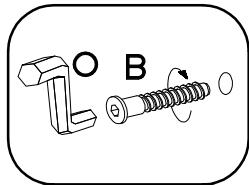
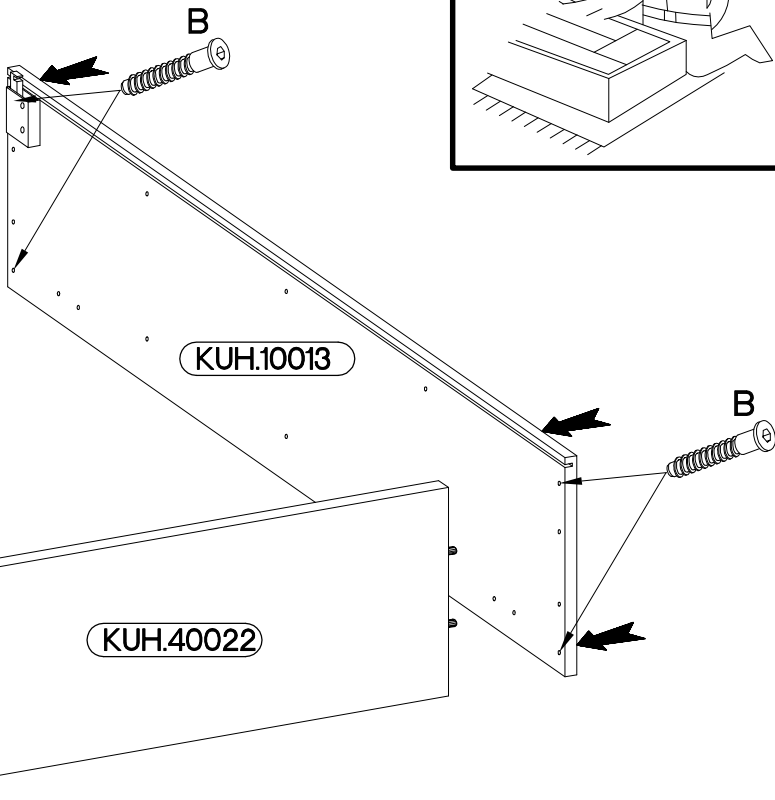
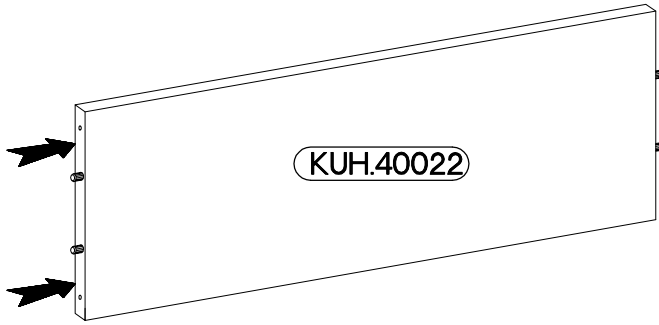
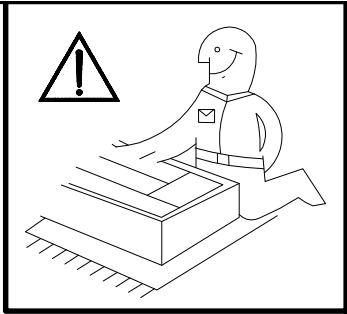
 ‡8x30mm A	 ‡4.0x30mm P8	 K
8	4	2



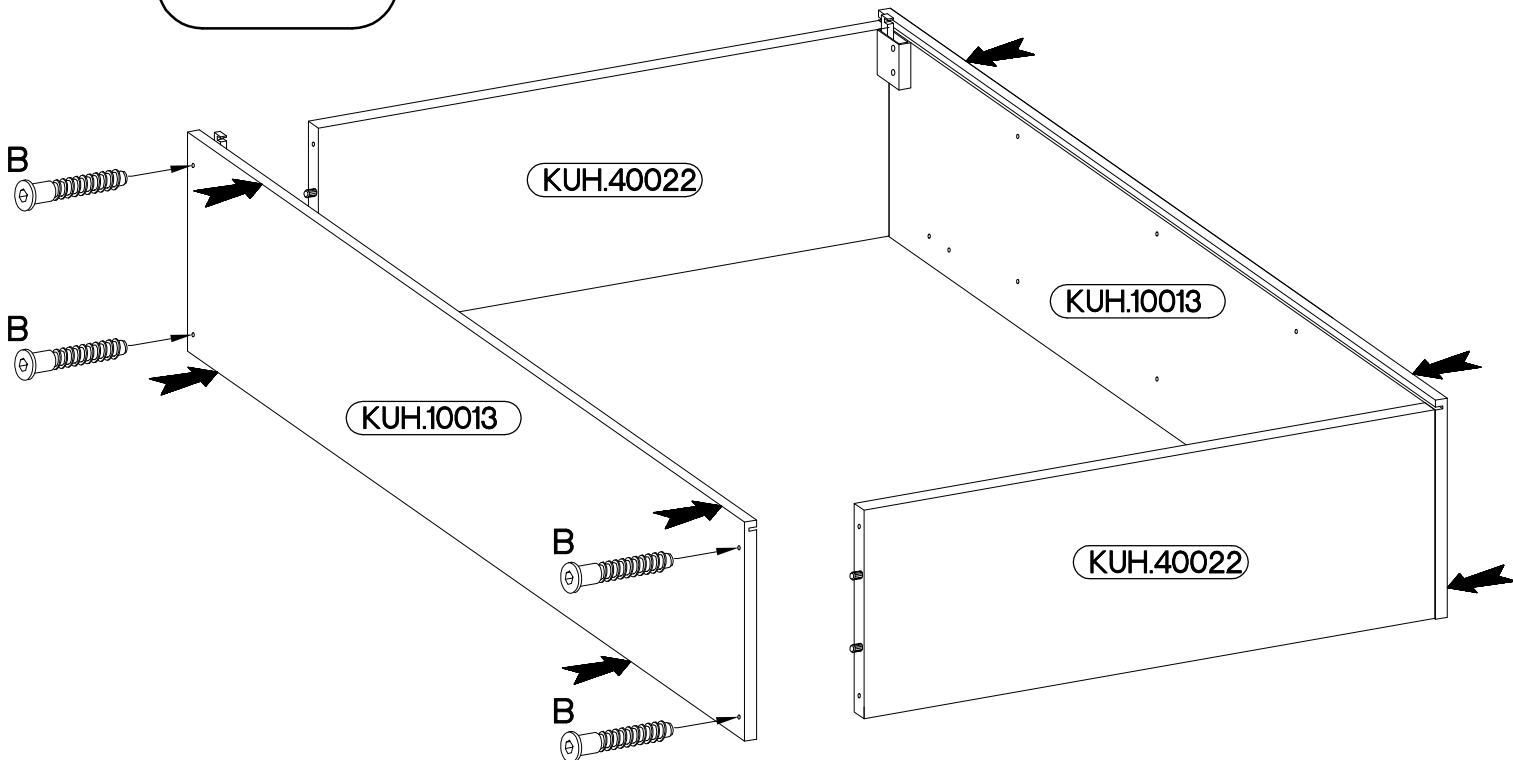
2

6,4 x 50mm

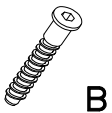


		
B	O	E1
4	1	4



3

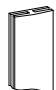


6,4 x 50mm

		
B	O	E1
4	1	4

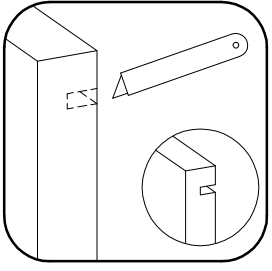
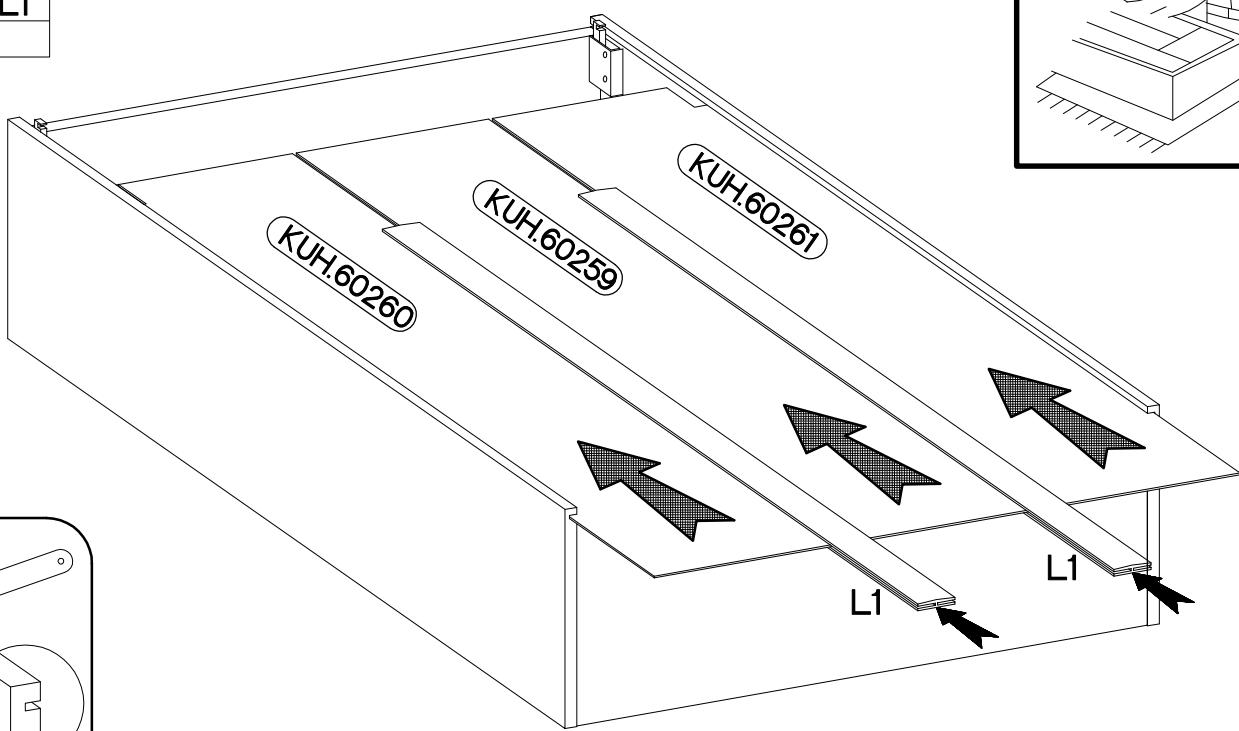
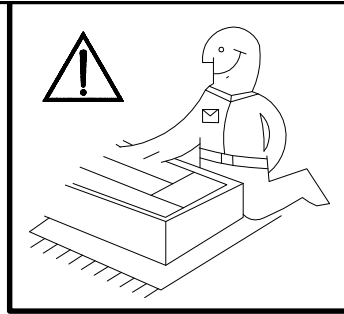
4

L1=865mm




L1

2



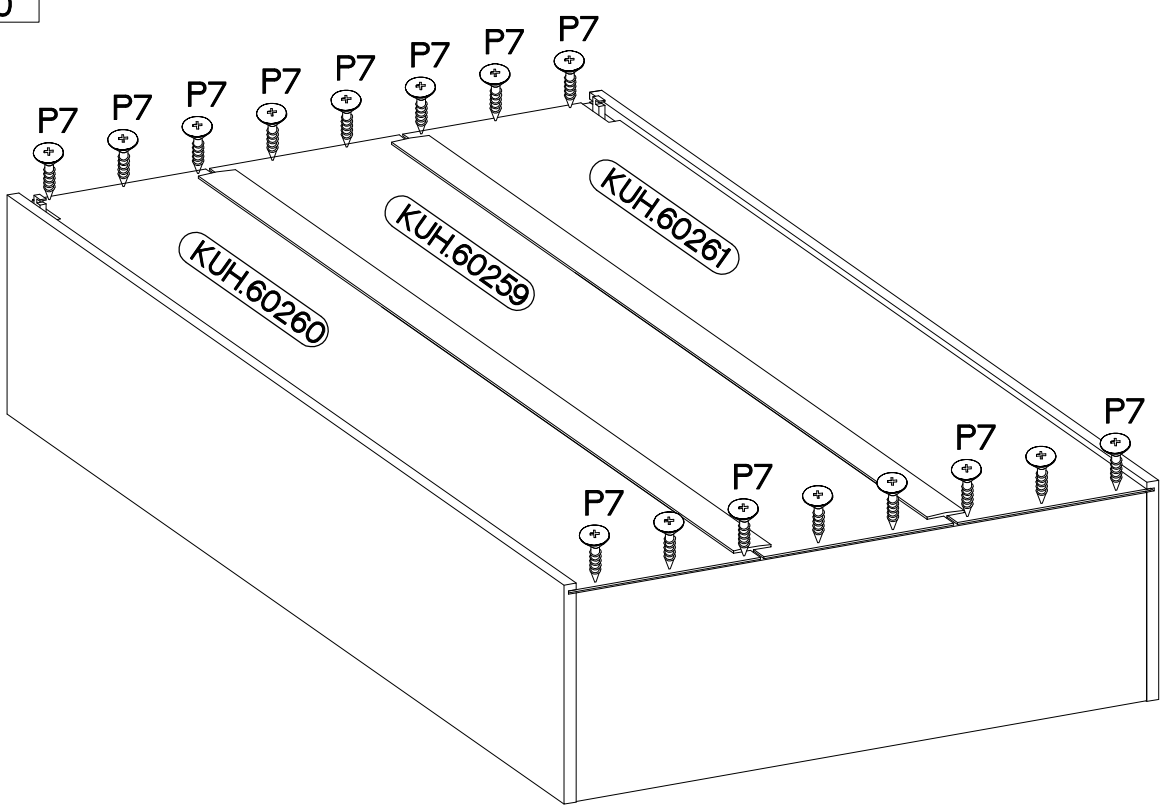
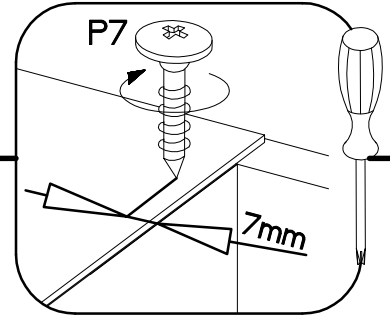
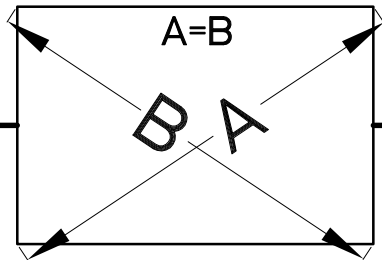
5

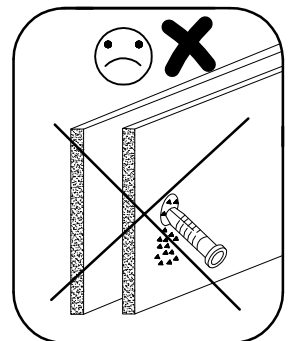
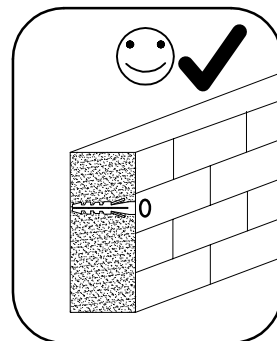
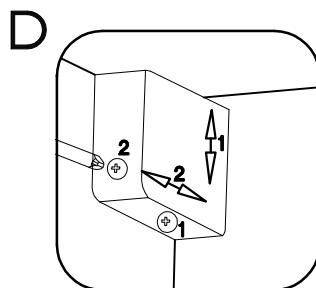
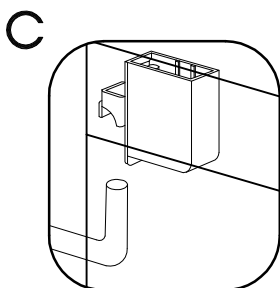
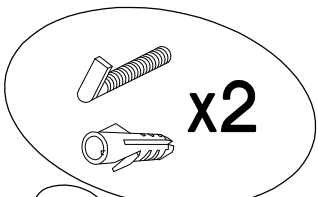
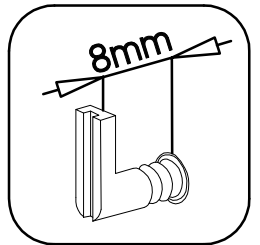
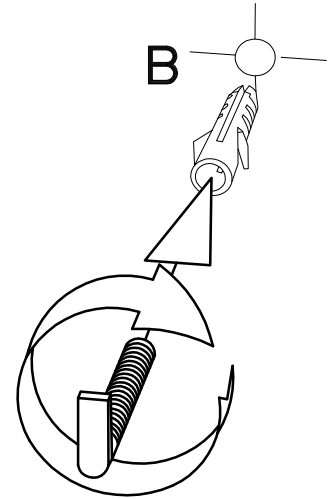
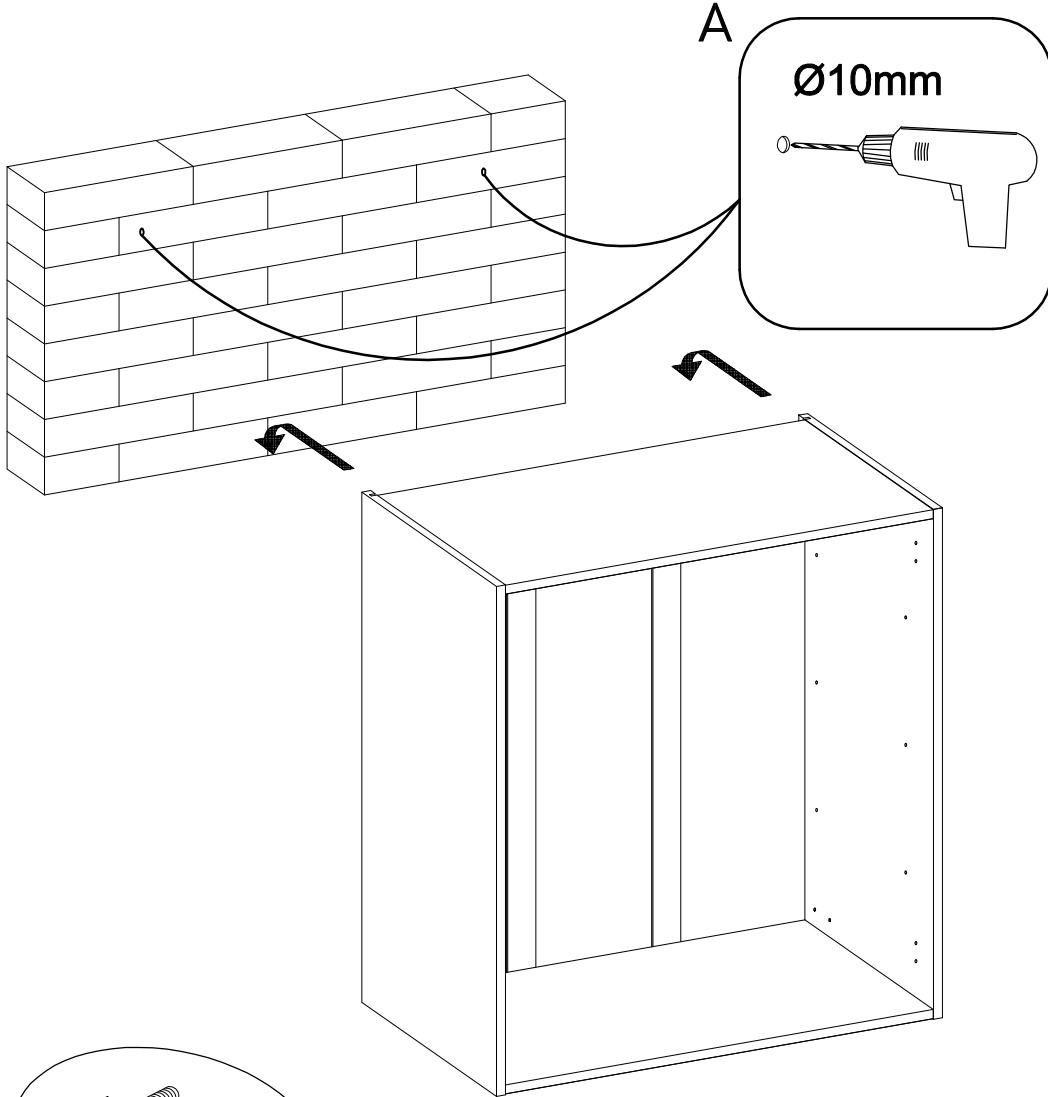
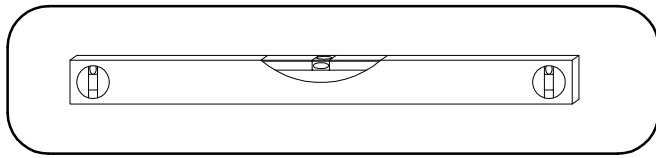
±3.0x20mm



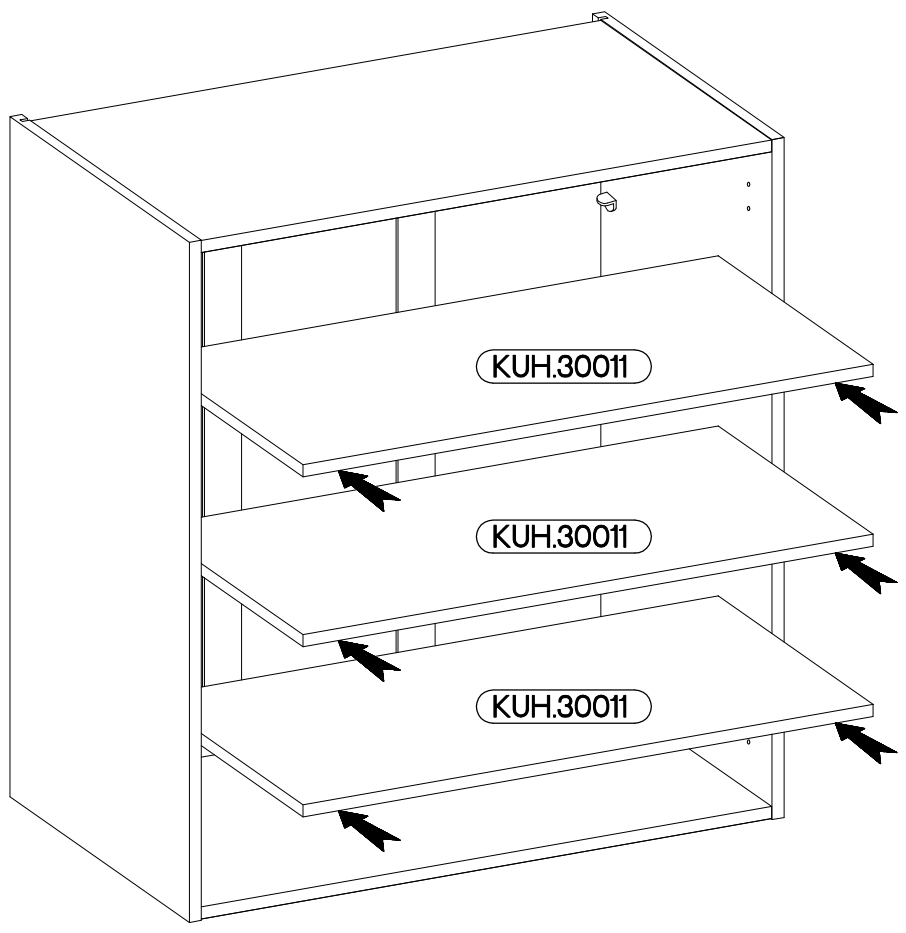
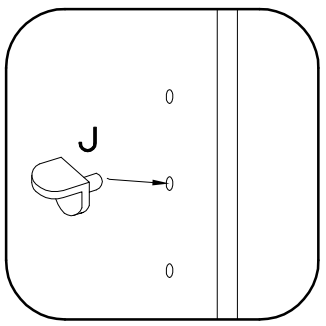
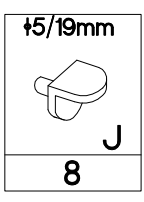
P7

15-20





7



8

FRONT

