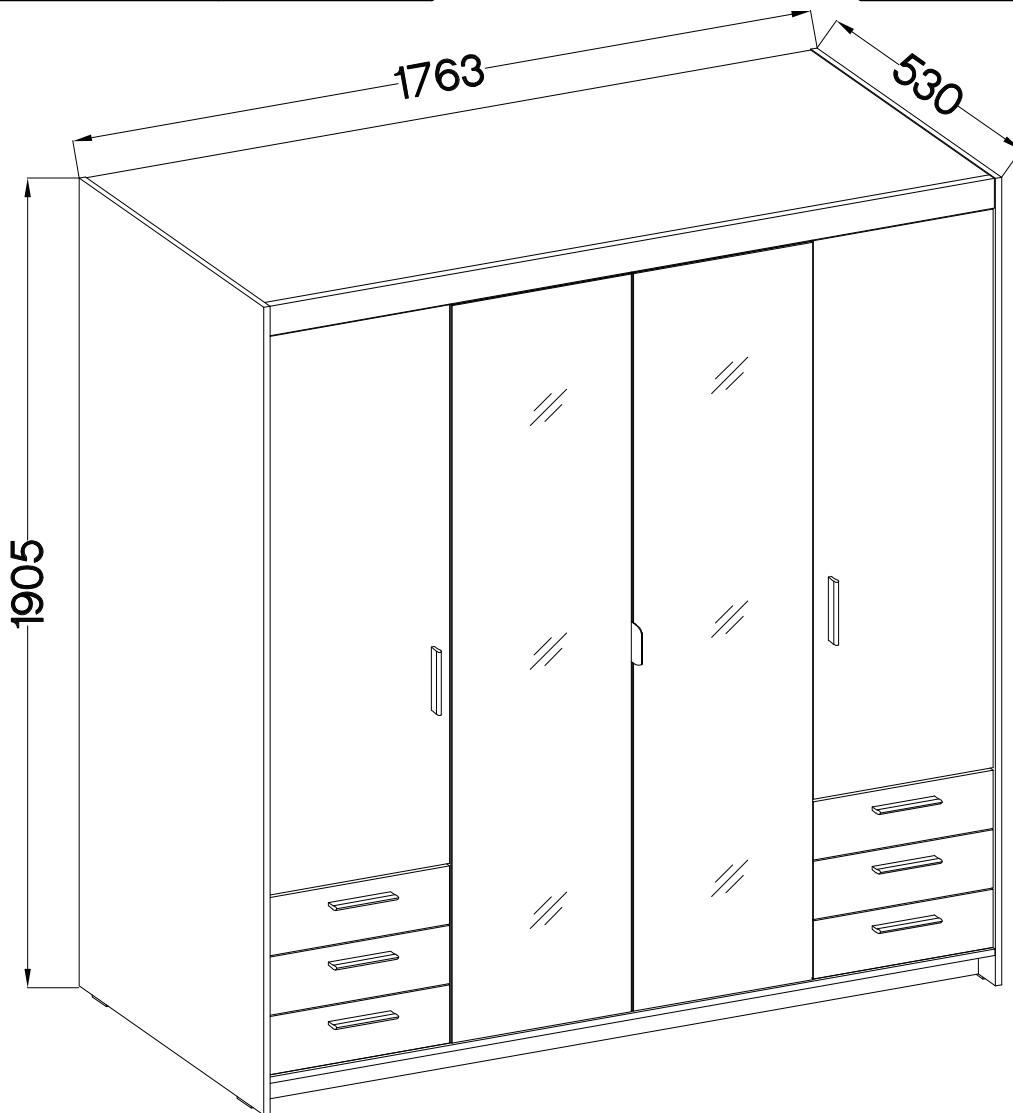
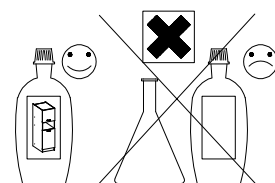


120 min

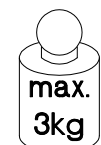
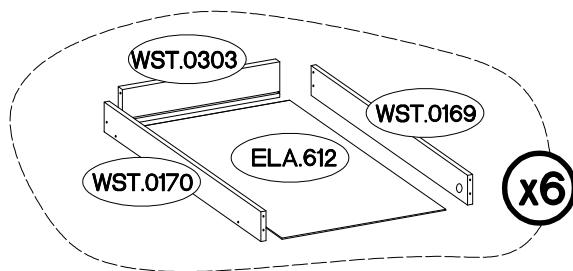
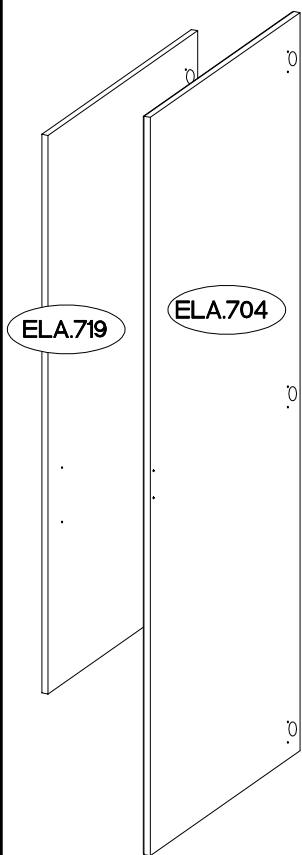
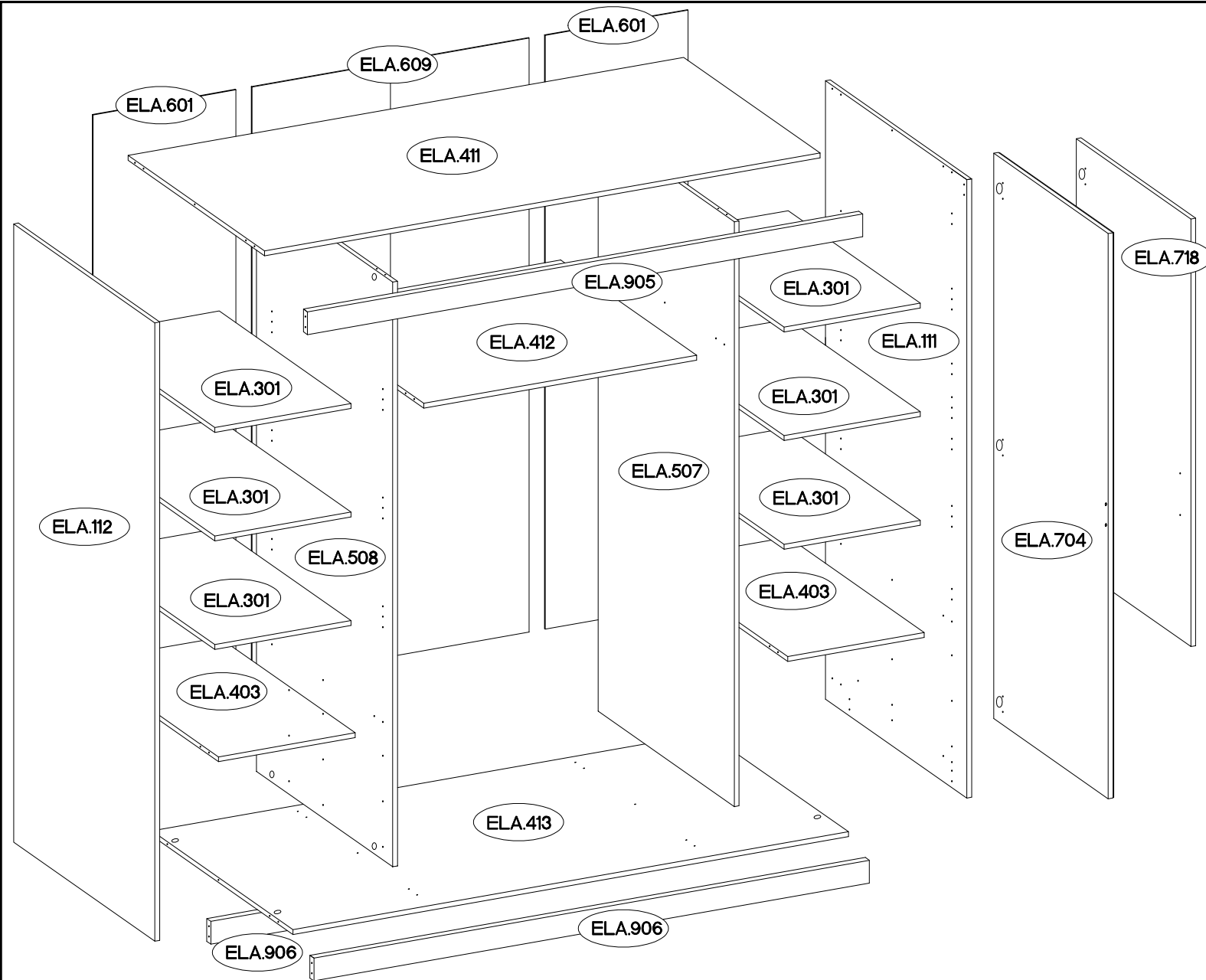
ELENA 4D 6S-L



†8x30mm	†6x42mm	†15/12mm	†12/10mm	L=20mm
A	B2	C	C5	D2
78	12	28	12	40

	6.5x48x16	†15x5mm	†35/9mm	†35/16mm	L=450mm	L=843mm	†5/16mm			
E	F2	F4	HG1	HG2	I15	J2	J3	J17	L2	L19
16	4	4	6	6	6	1	24	2	24	2
†6,3x13mm	†6,3x9,5mm	†10x50mm	†4.0x16mm	†3.5x13mm	†3.0x20mm	†5.0x60mm	†4.0x30mm	L=128mm	L=64mm	
M2	M4	O7	P1	P5	P7	P12	R2	S	S	T3
36	36	2	12	48	95-100	2	16	8	1	6

P-ISM-ELA-14



ELA.612



ELA.301

ELA.403

ELA.412

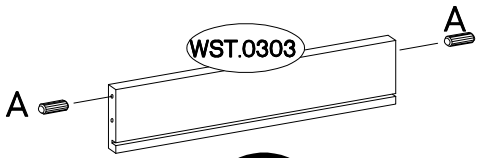
Colli	Ersatzteil Nummer	Dimension
Colli 4/4	ELA.704 x2	1737x430x18
	ELA.716 x3	460x137x15
	ELA.717 x3	460x137x15
	ELA.718	1314x430x15
	ELA.719	1314x430x15

Colli	Ersatzteil Nummer	Dimension
Colli 1/4	ELA.301 x6	425x495x15
	ELA.403 x2	426x510x15
	ELA.411	1733x512x15
	ELA.412	851x510x15
	ELA.413	1733x529x15
	ELA.612 x6	399x448x2,5
	WST.0303 x6	376x84x12

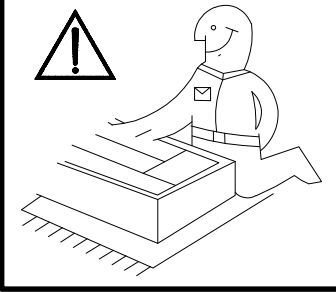
Colli	Ersatzteil Nummer	Dimension
Colli 2/4	ELA.508	1797x511x15
	ELA.601 x2	1825x446x2.5
	ELA.609	1825x865x2.5
	ELA.905	1733x70x15
	ELA.906 x2	1733x70x15
	WST.0169 x6	450x70x12
	WST.0170 x6	450x70x12

Colli	Ersatzteil Nummer	Dimension
Colli 3/4	ELA.111	1900x530x15
	ELA.112	1900x530x15
	ELA.507	1797x511x15

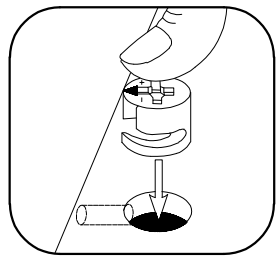
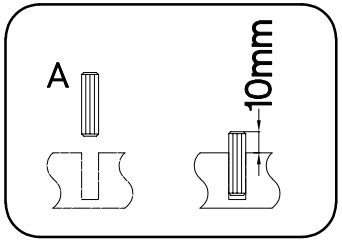
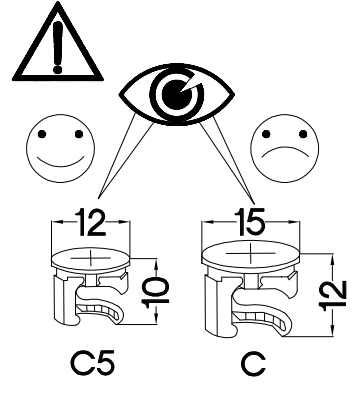
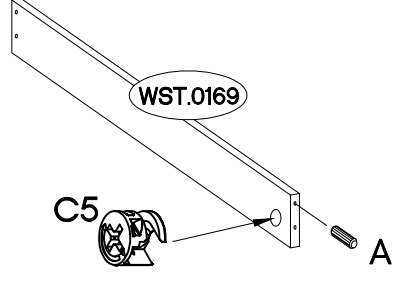
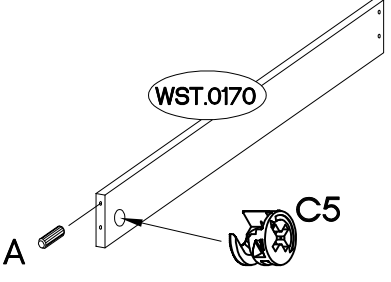
1



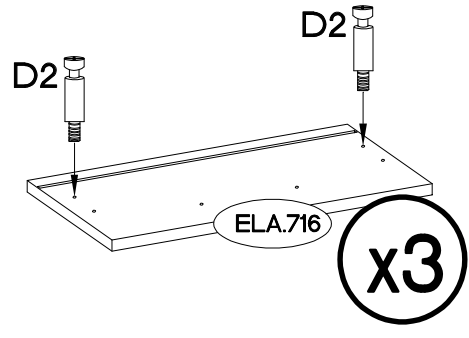
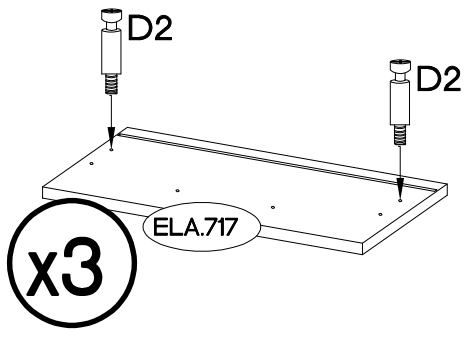
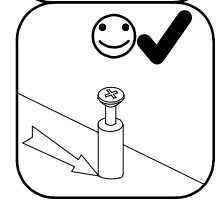
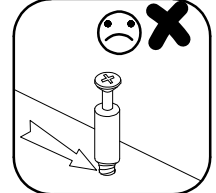
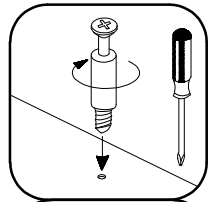
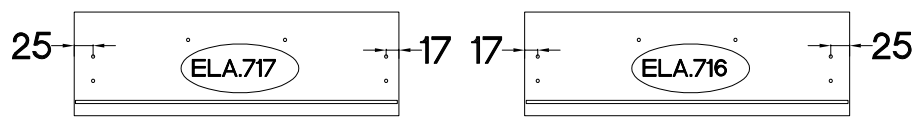
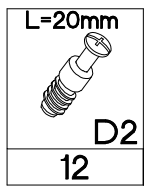
<p>†12/10mm</p> <p>C5</p> <p>12</p>	<p>†8x30mm</p> <p>A</p> <p>24</p>
-------------------------------------	-----------------------------------



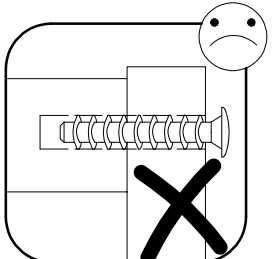
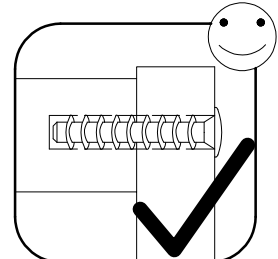
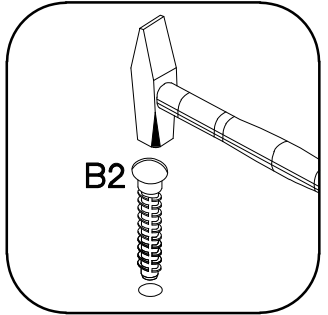
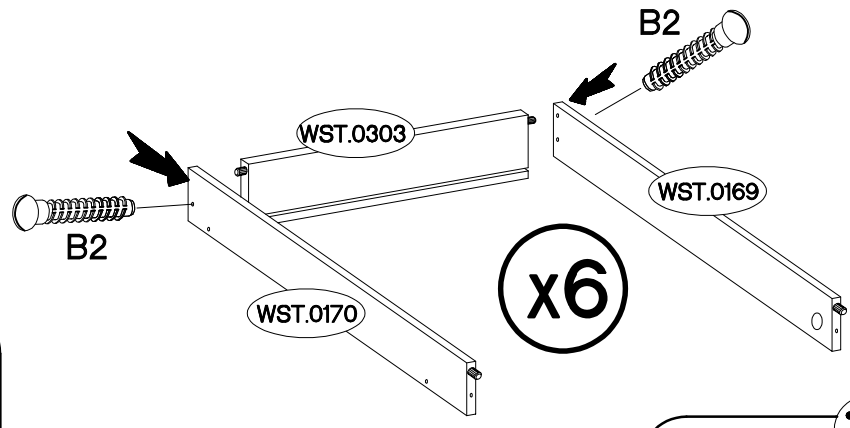
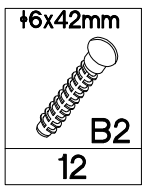
x6



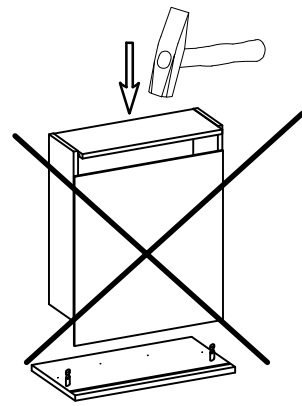
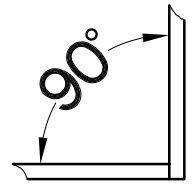
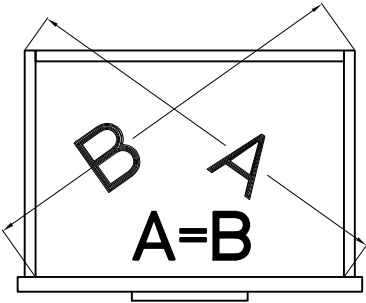
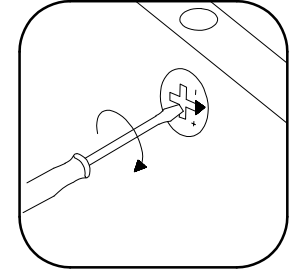
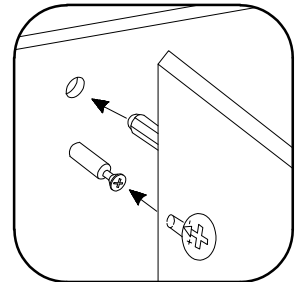
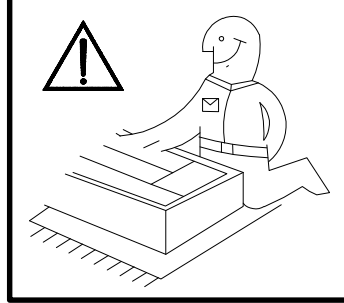
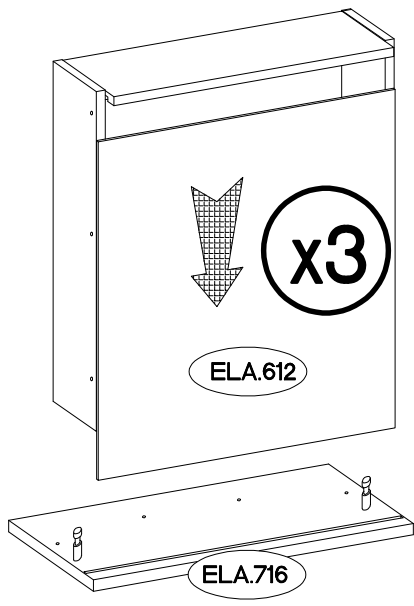
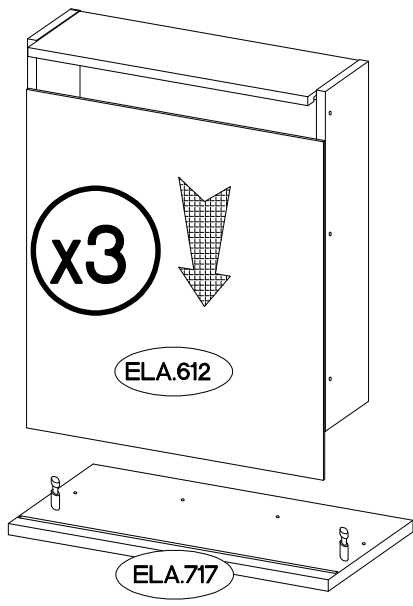
2






3

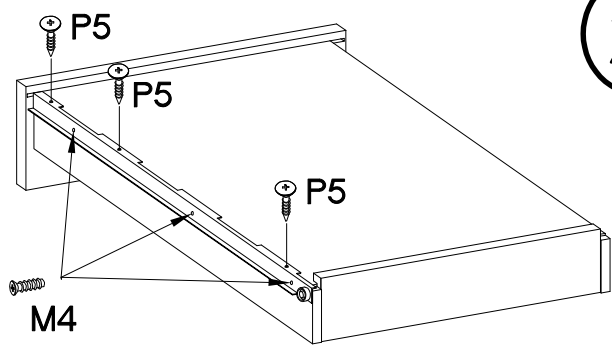


4

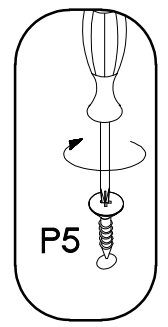
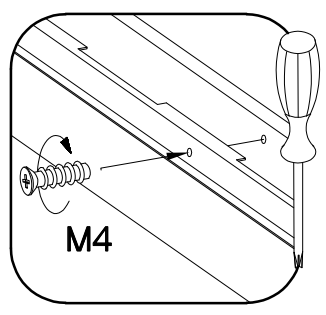
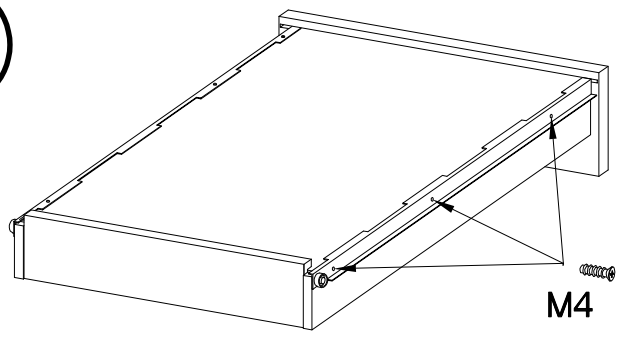


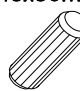
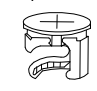




5

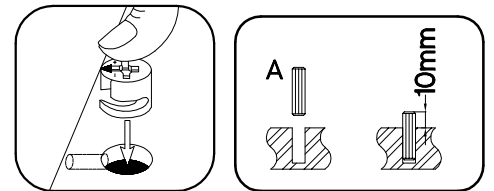
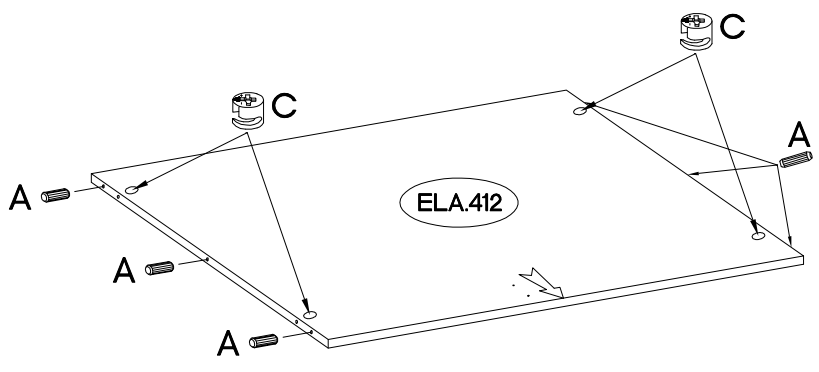
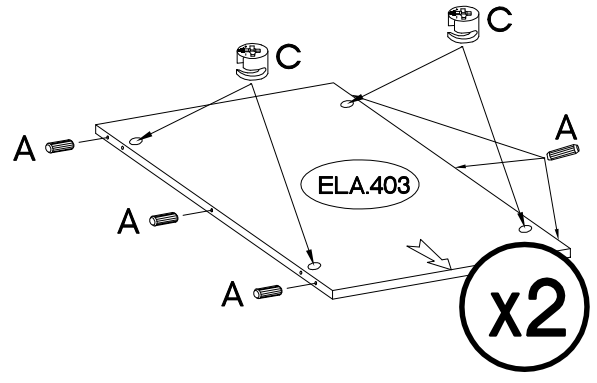
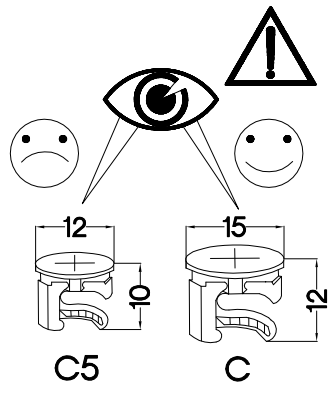
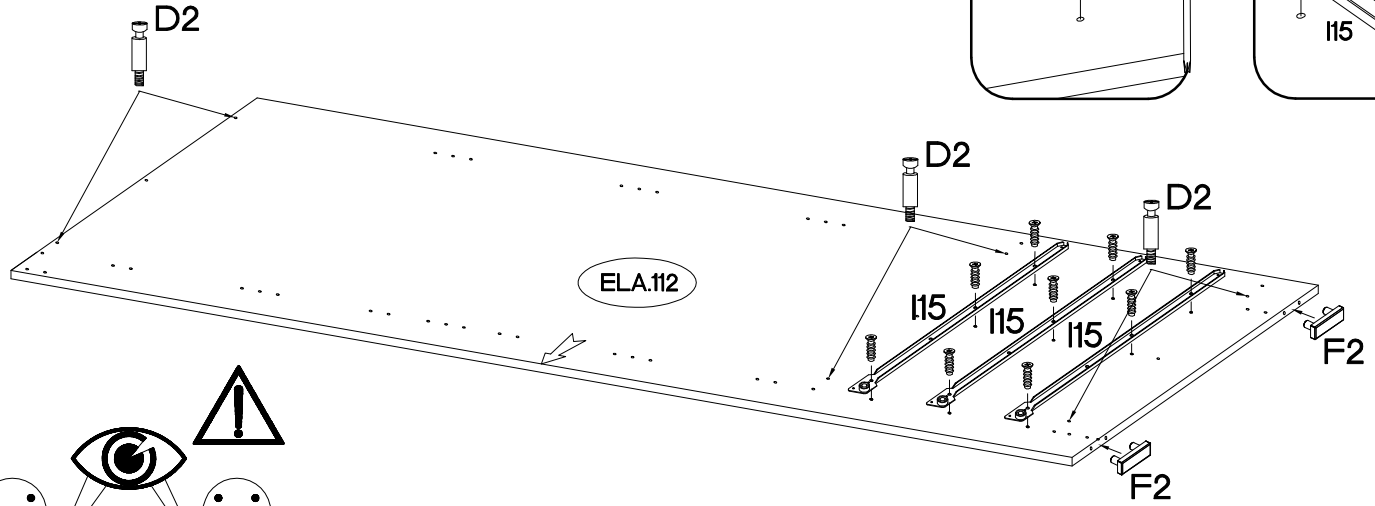
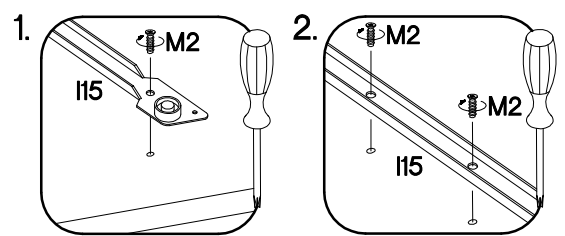
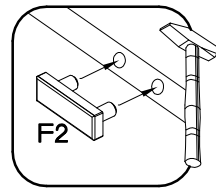
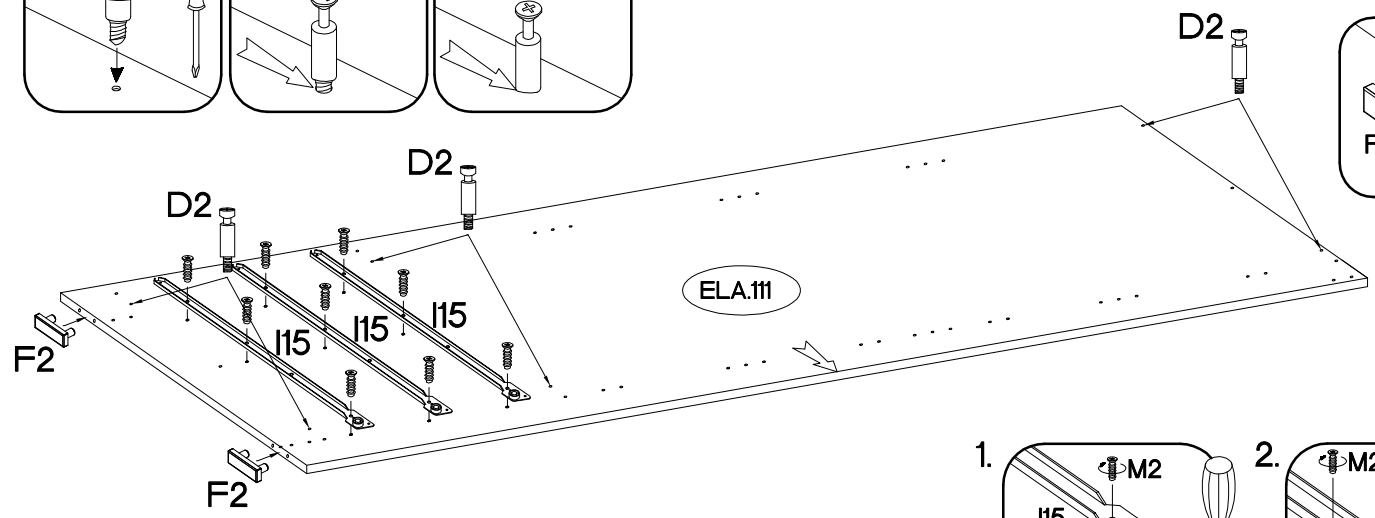
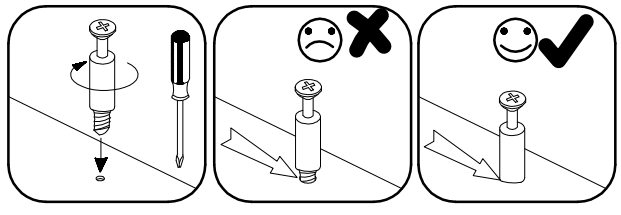
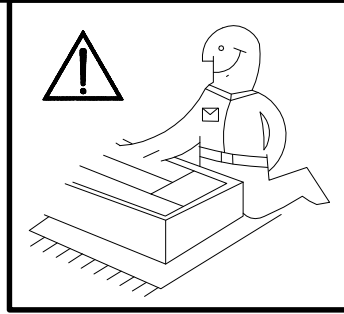
L=450mm	+6,3x9,5mm	+3.5x13mm
		
115	M4	P5
6	36	18



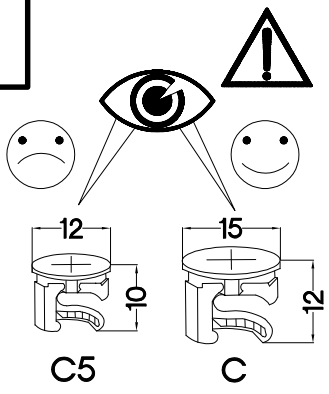
x6



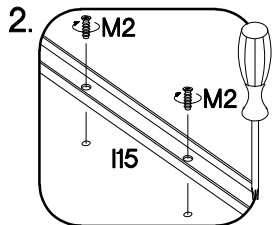
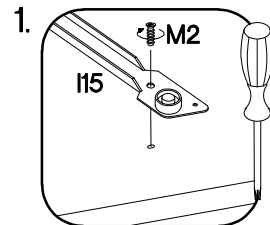
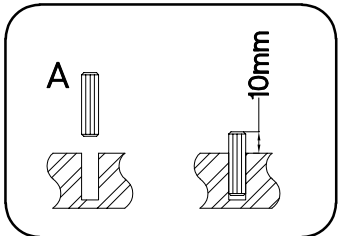
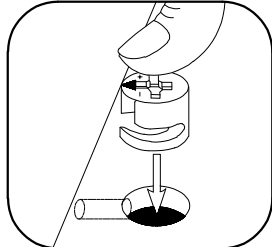
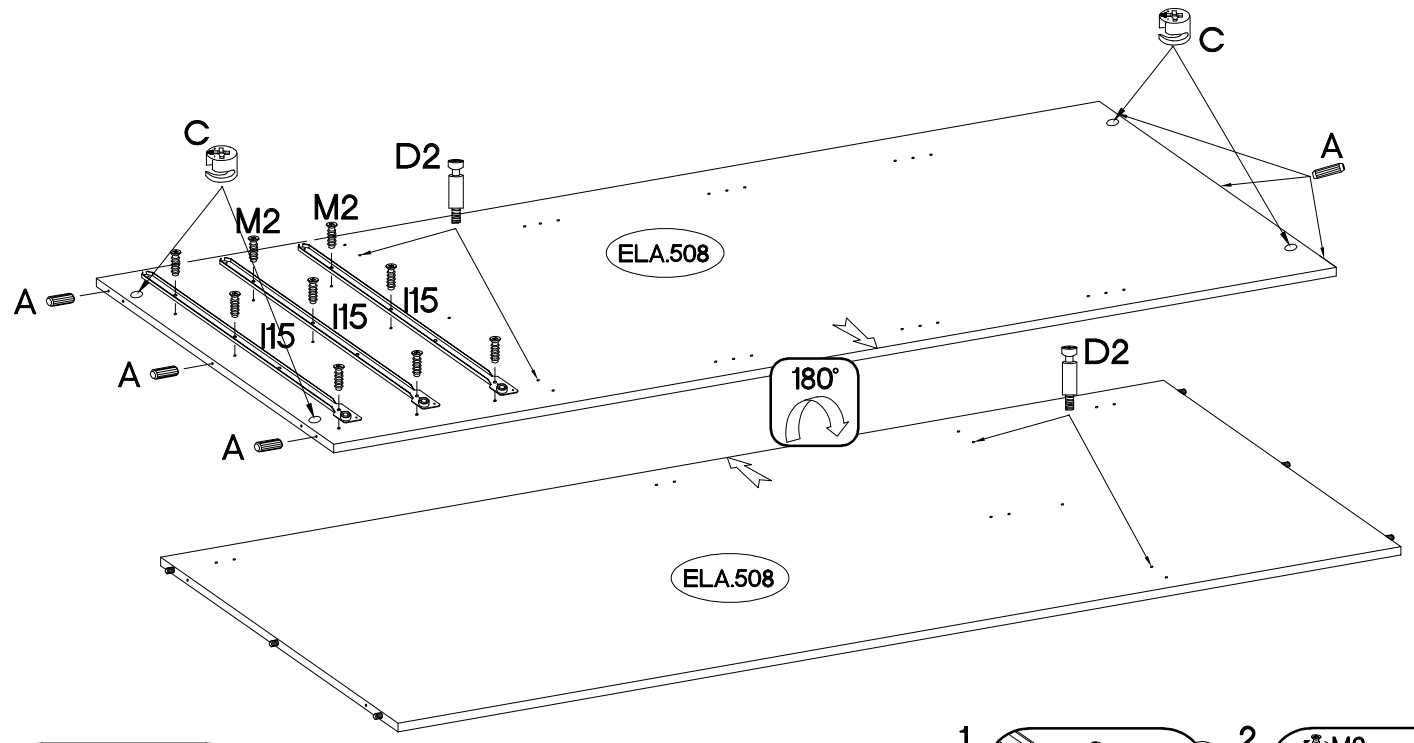
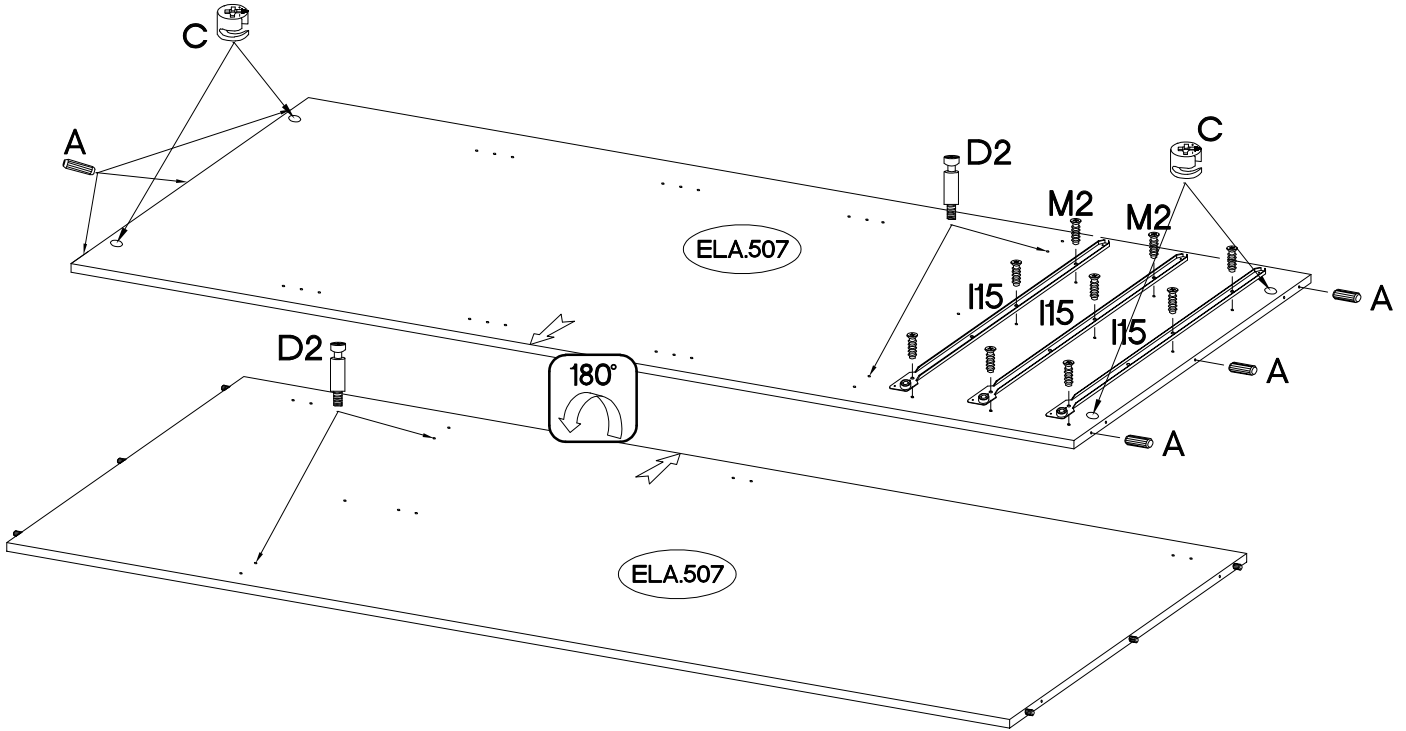
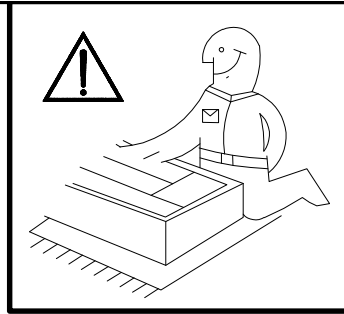
$\pm 8 \times 30 \text{mm}$  A	$\pm 15/12 \text{mm}$  C	L=20mm  D2	6.5x48x16  F2	L=450mm  I15	$\pm 6,3 \times 13 \text{mm}$  M2
18	12	12	4	6	18

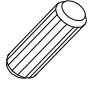
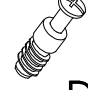

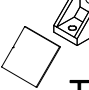




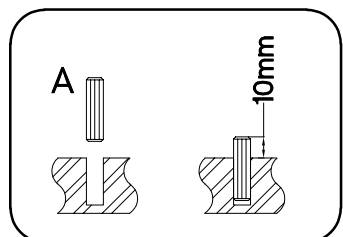
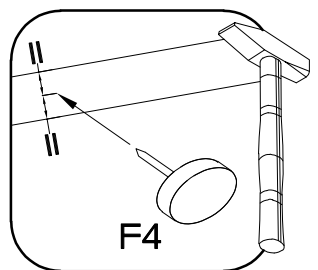
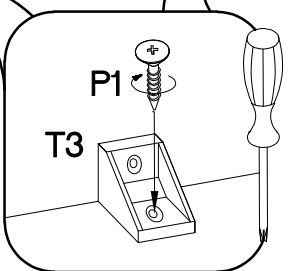
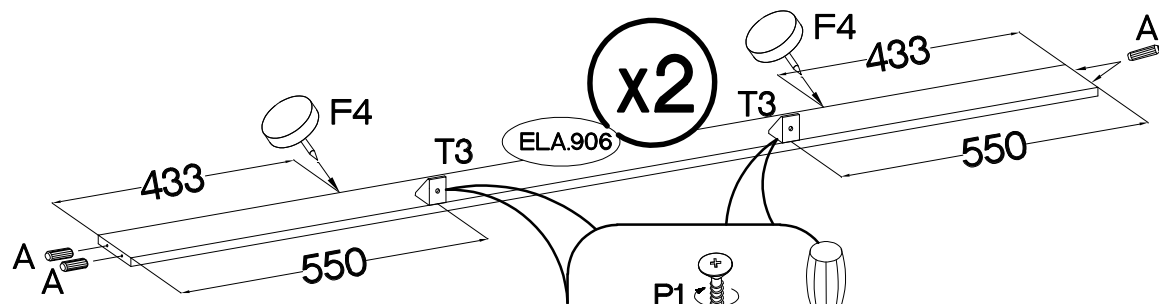
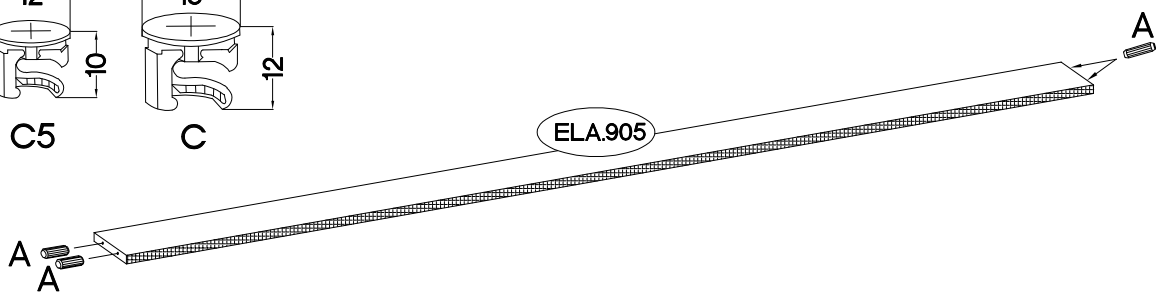
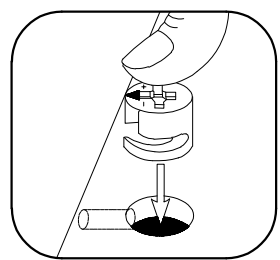
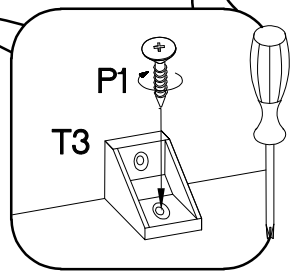
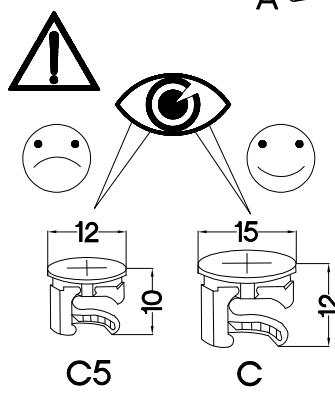
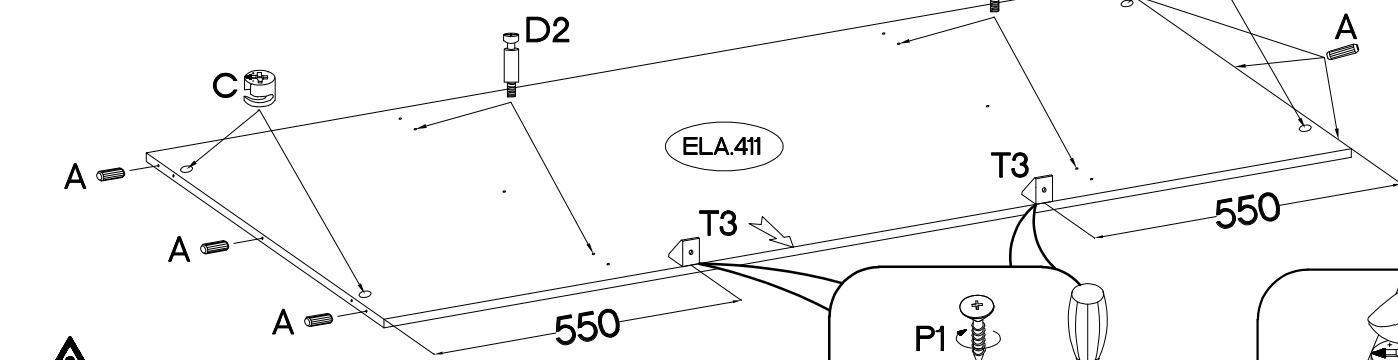
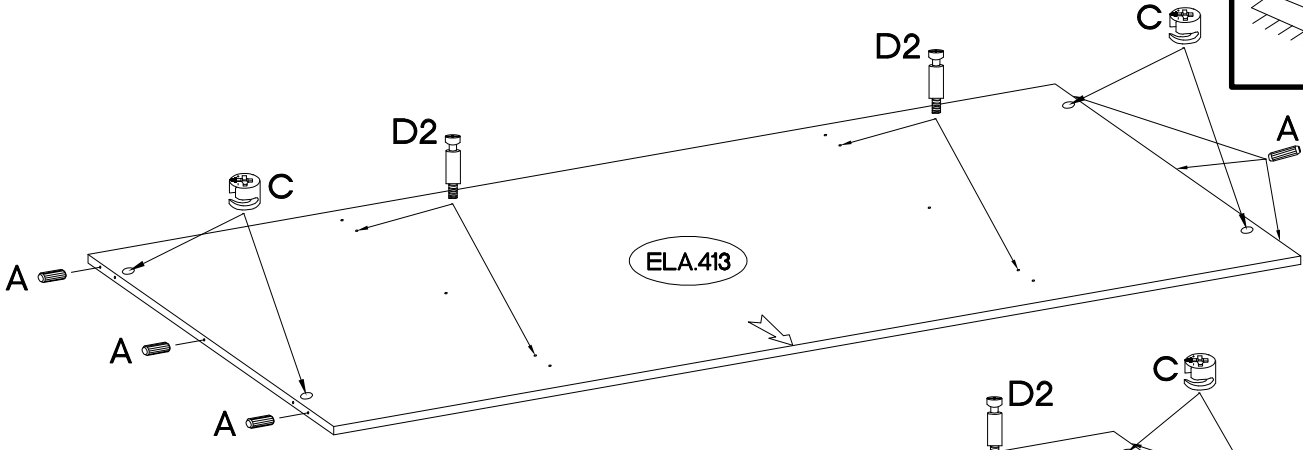
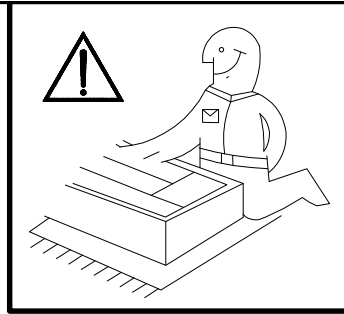
7



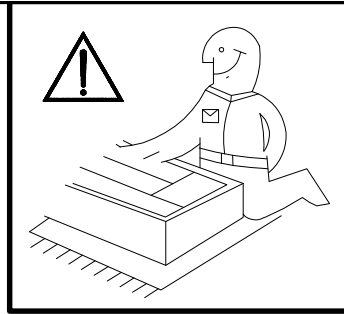
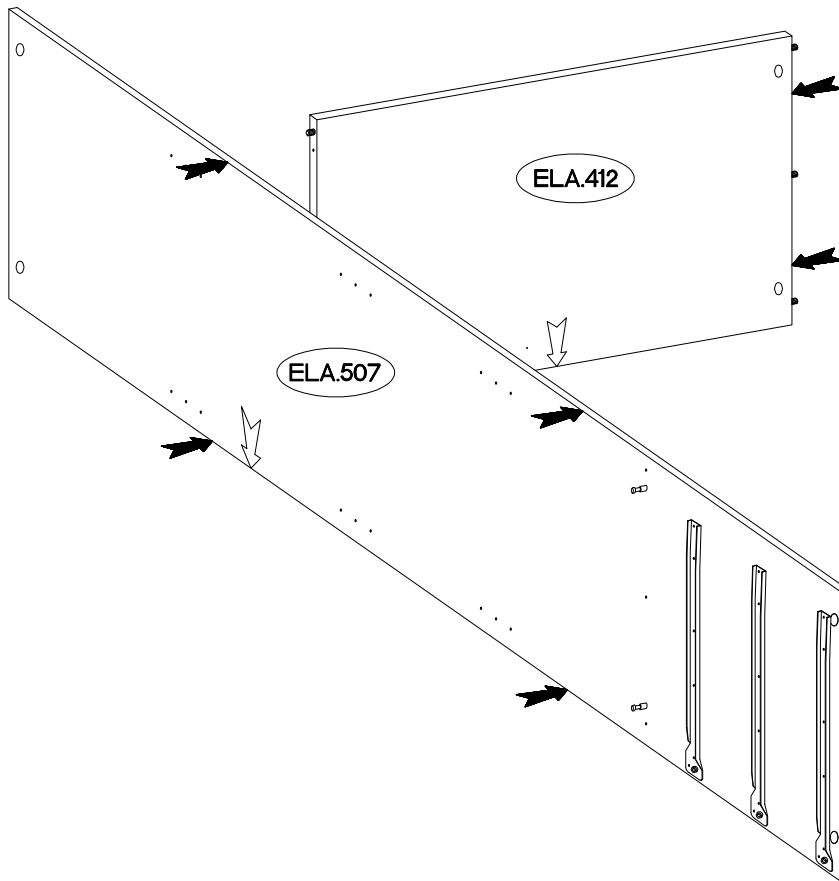
$\pm 8 \times 30 \text{mm}$ 	$\pm 15 / 12 \text{mm}$ 	L=20mm 	L=450mm 	$\pm 6,3 \times 13 \text{mm}$
A	C	D2	I15	M2
12	8	8	6	18



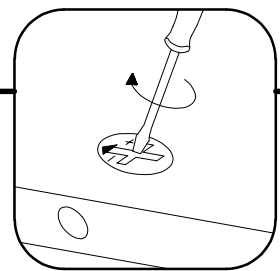
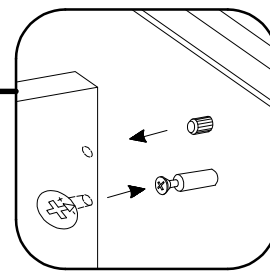
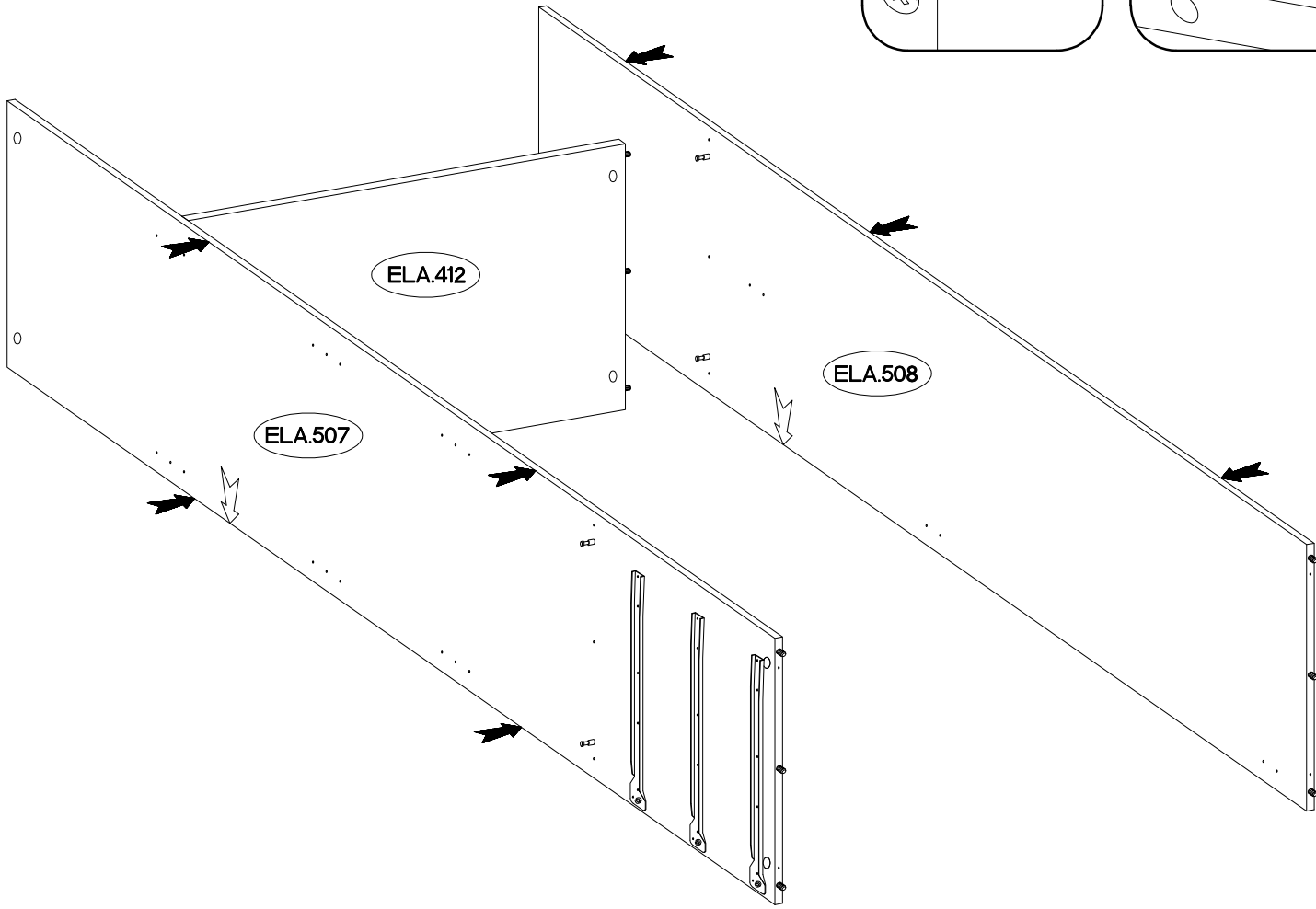
$\varnothing 8 \times 30 \text{mm}$  A 24	L=20mm  D2 8	$\varnothing 15/12 \text{mm}$  C 8	 T3 6	$\varnothing 4.0 \times 16 \text{mm}$  P1 6	$\varnothing 15 \times 5 \text{mm}$  F4 4
--	---	---	---	--	--

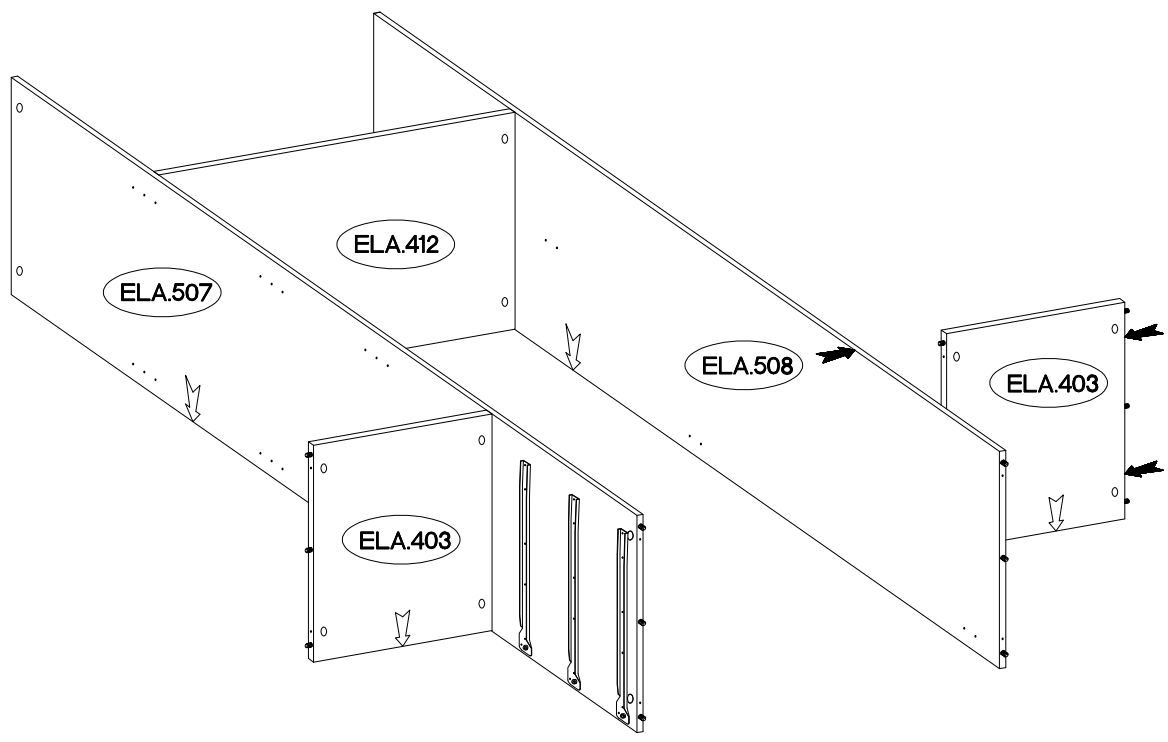
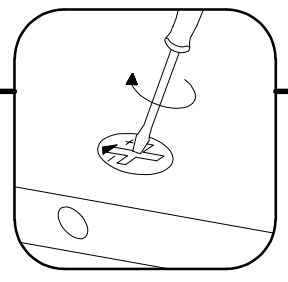
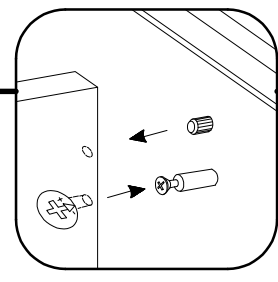
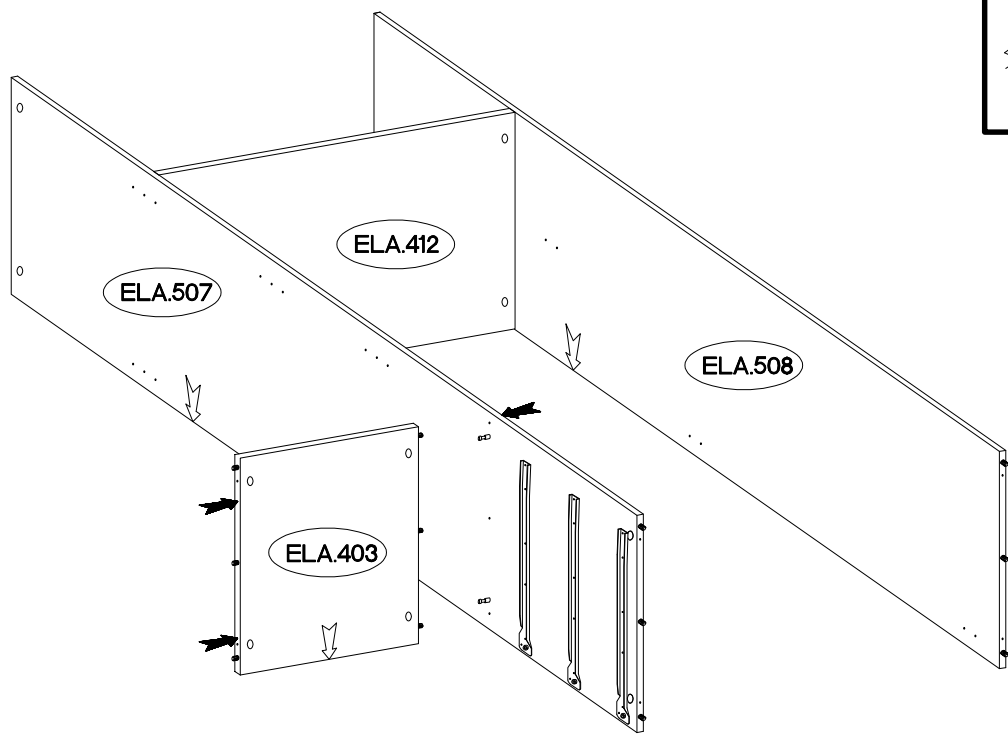
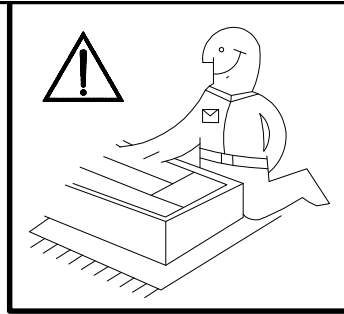


9

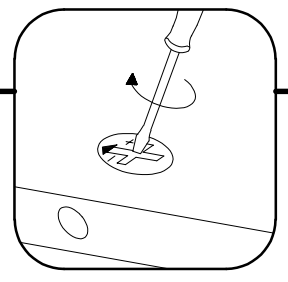
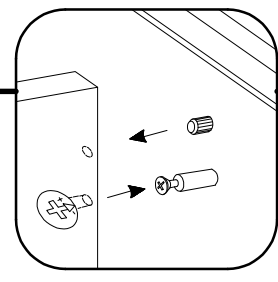
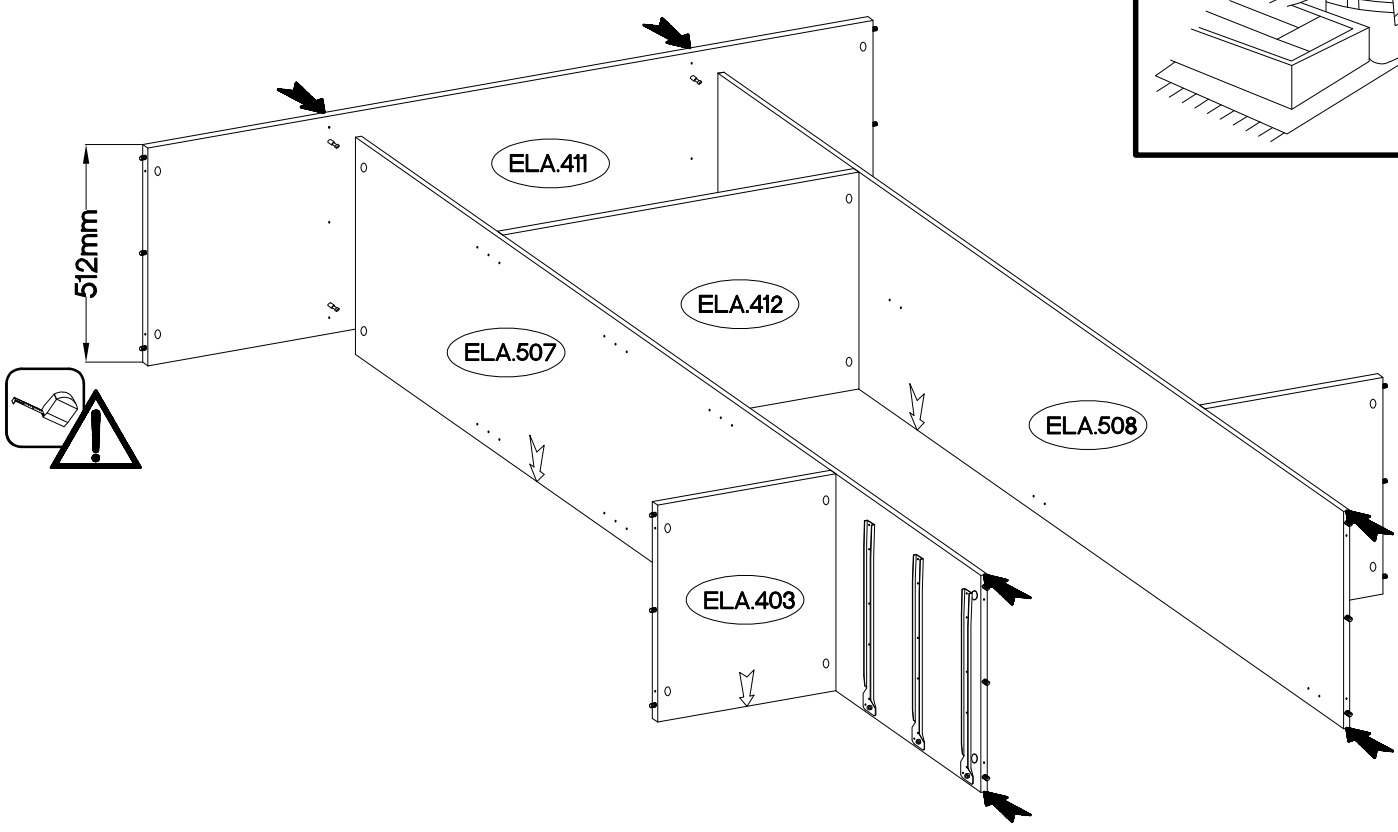
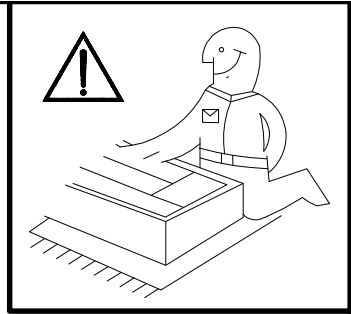


10

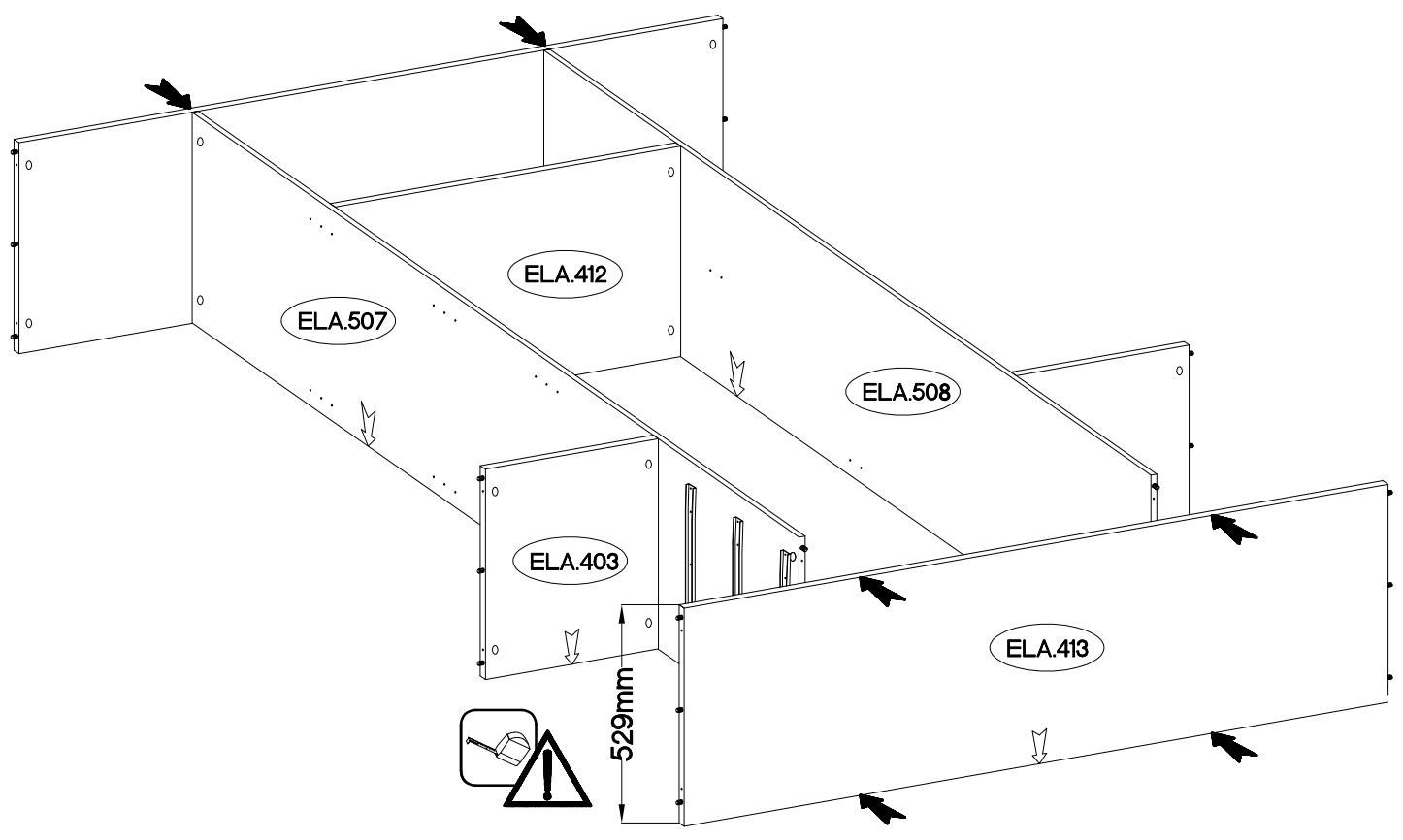




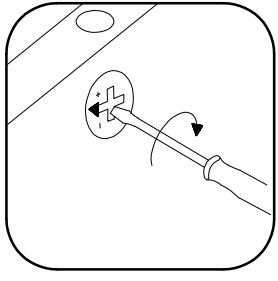
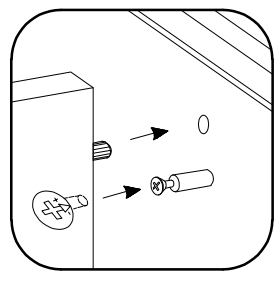
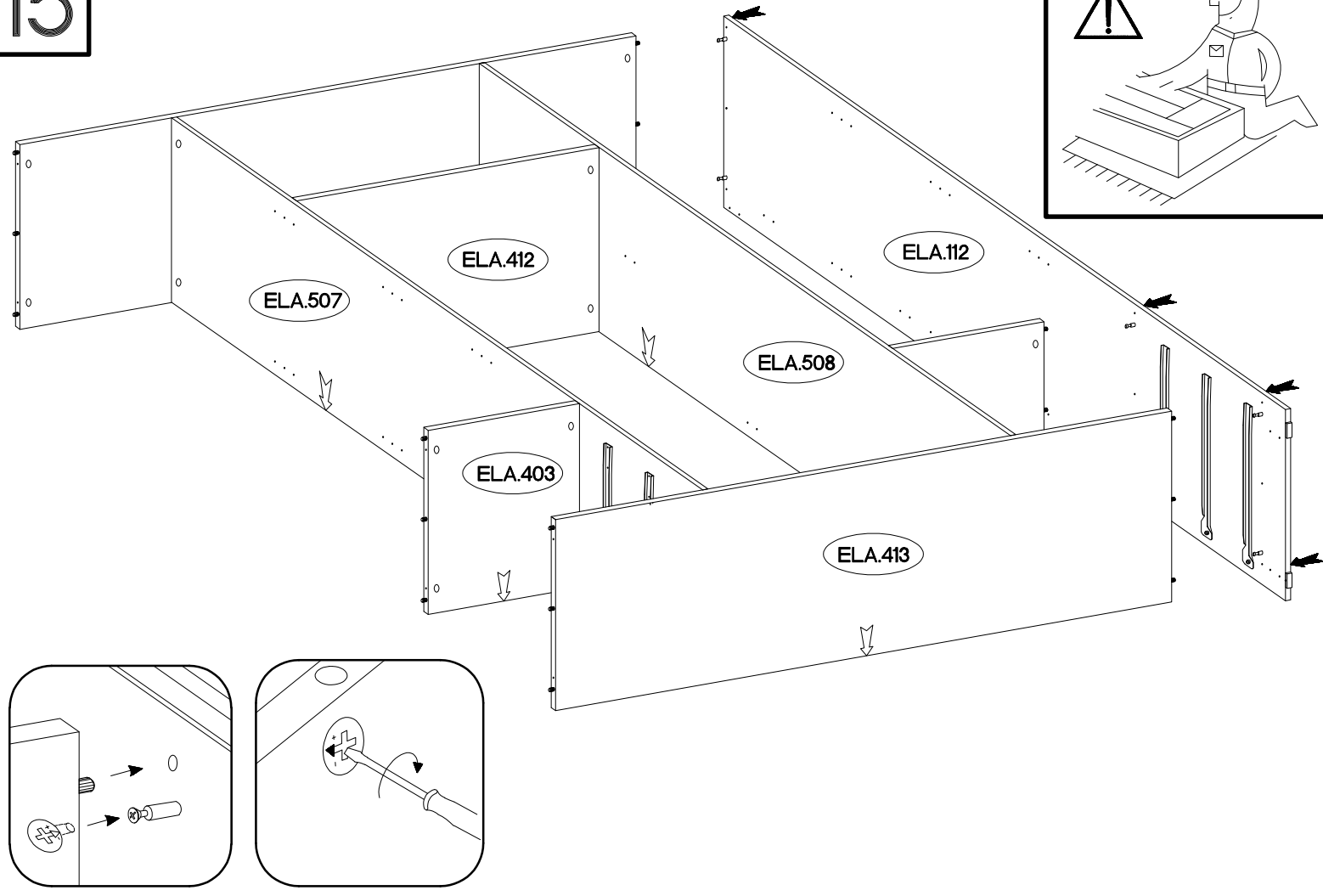
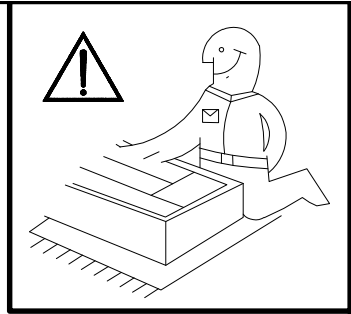
13



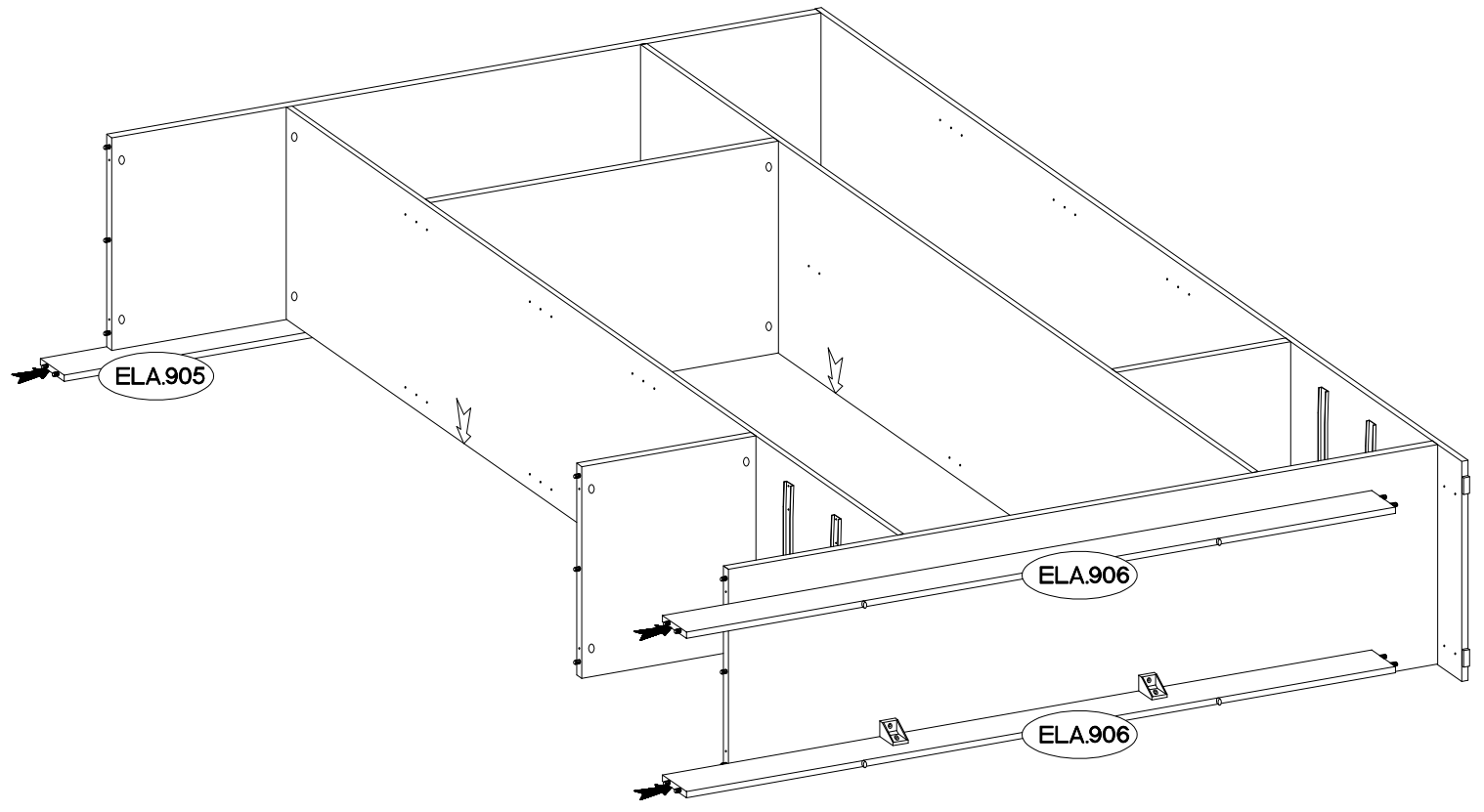
14



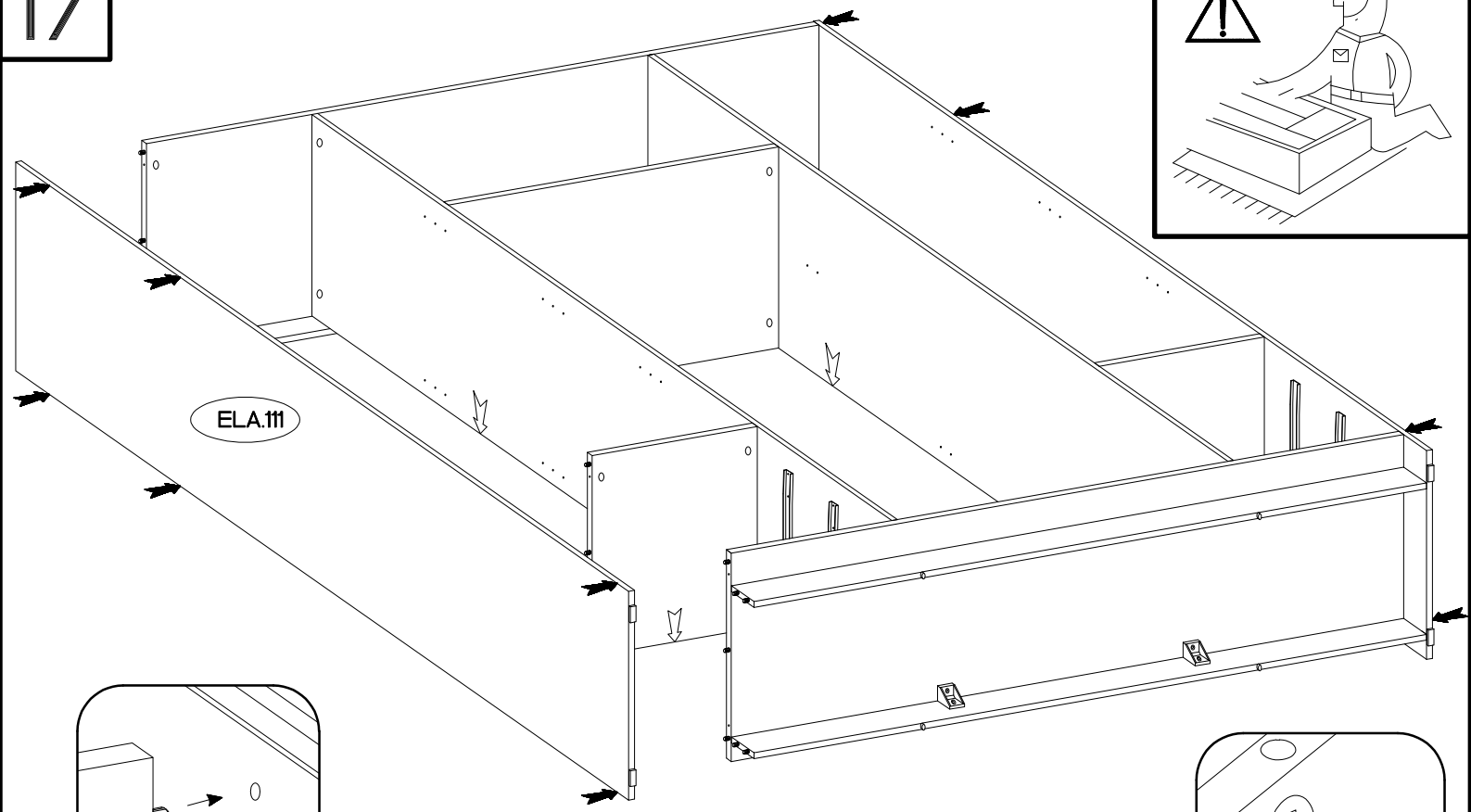
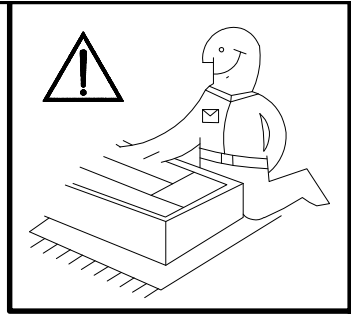
15



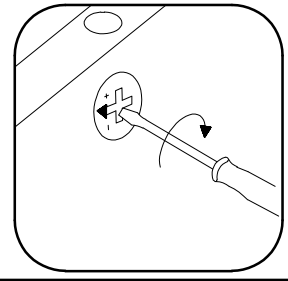
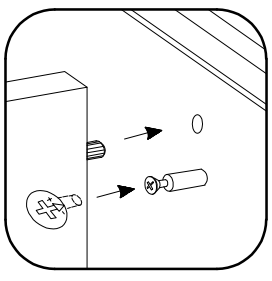
16



17

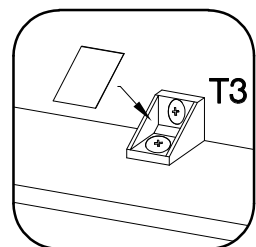
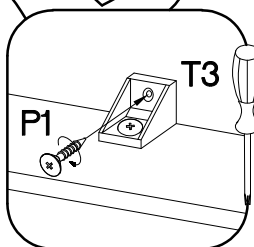
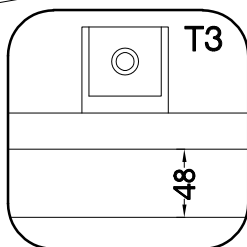
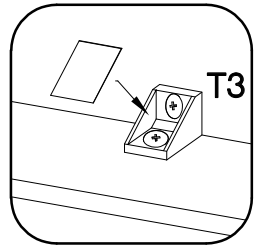
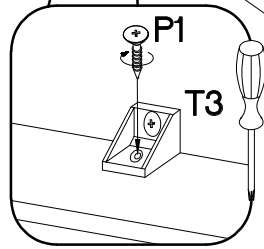
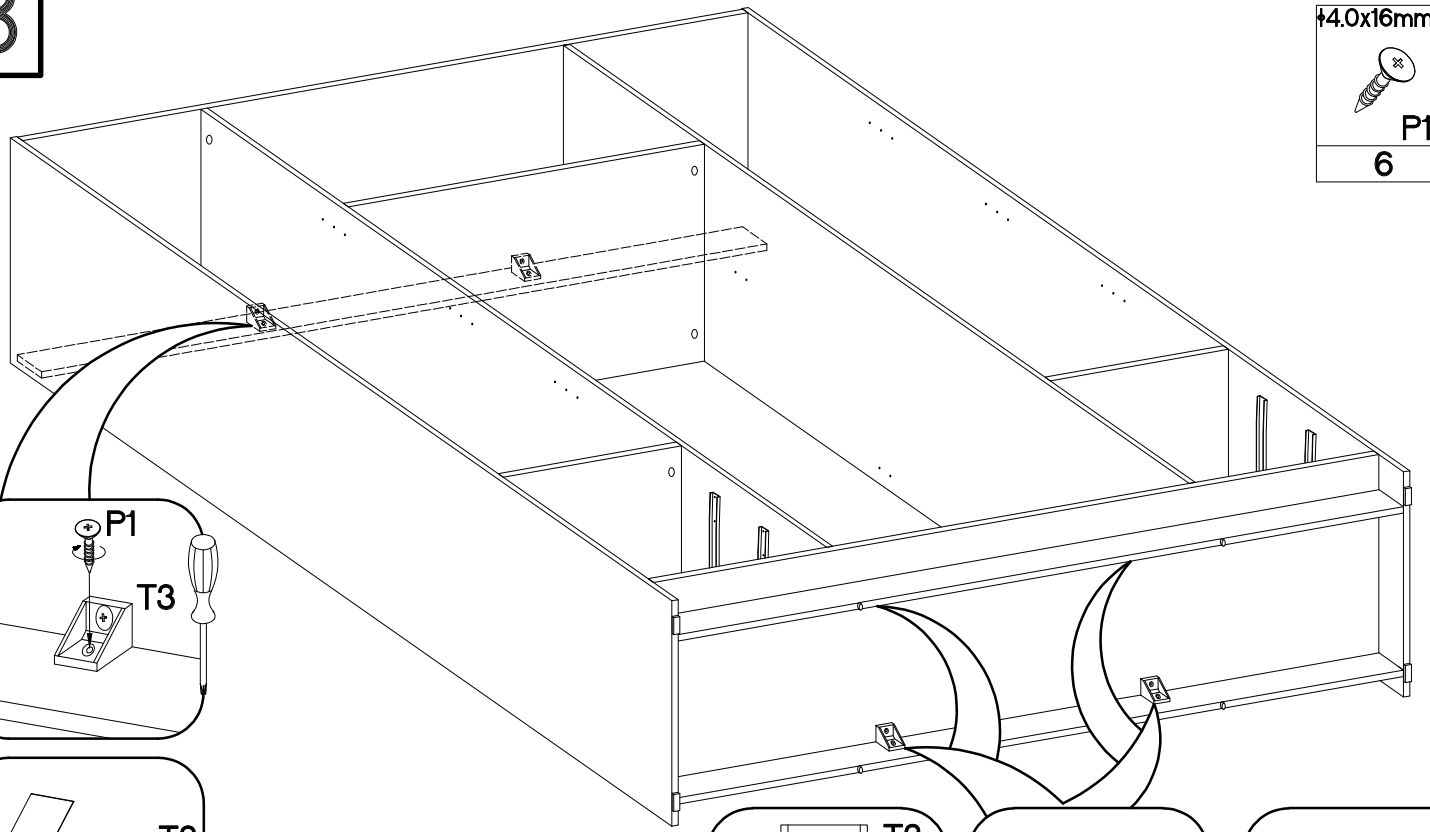



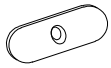
ELA.111

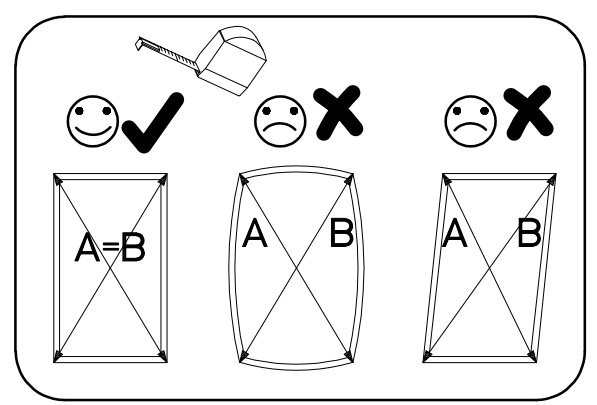
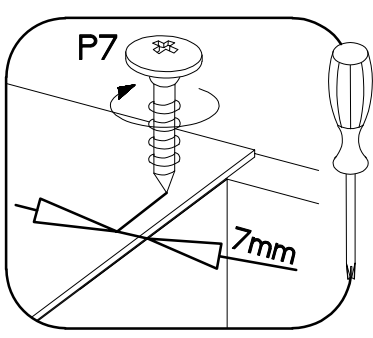
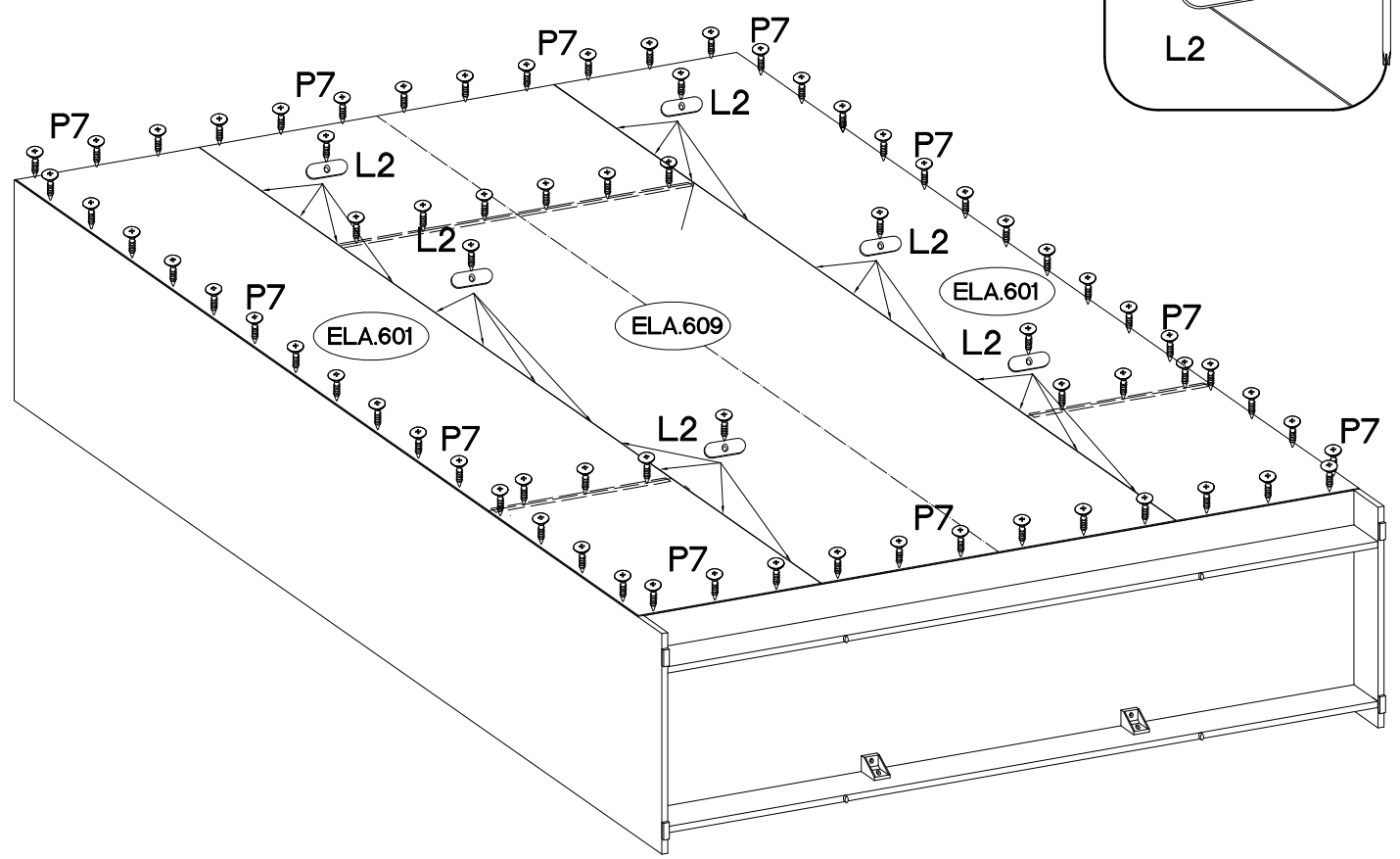
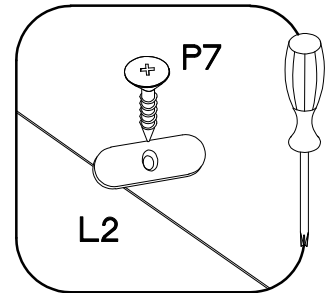
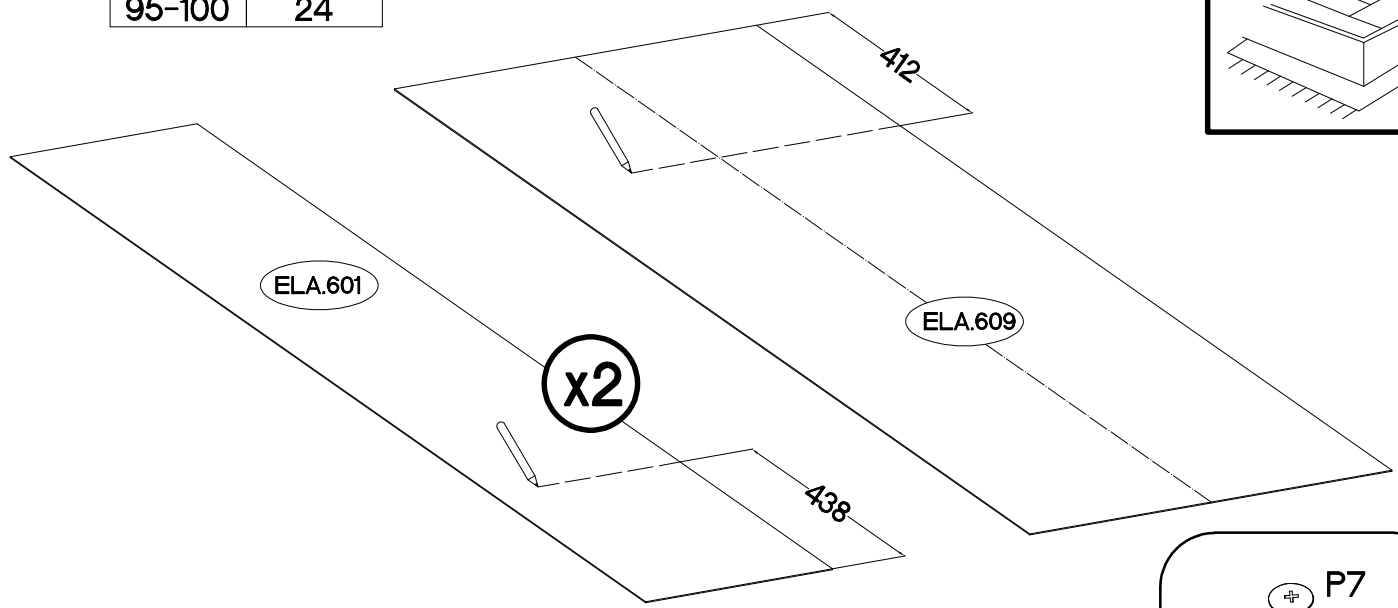
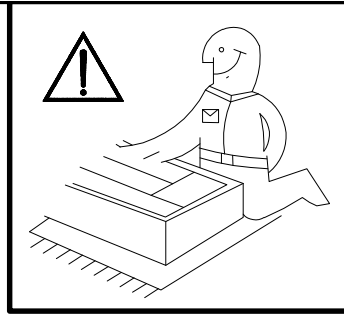


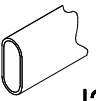



18

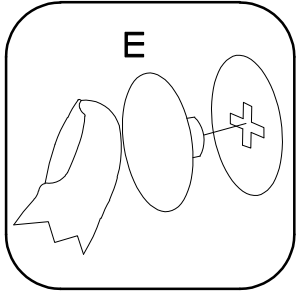
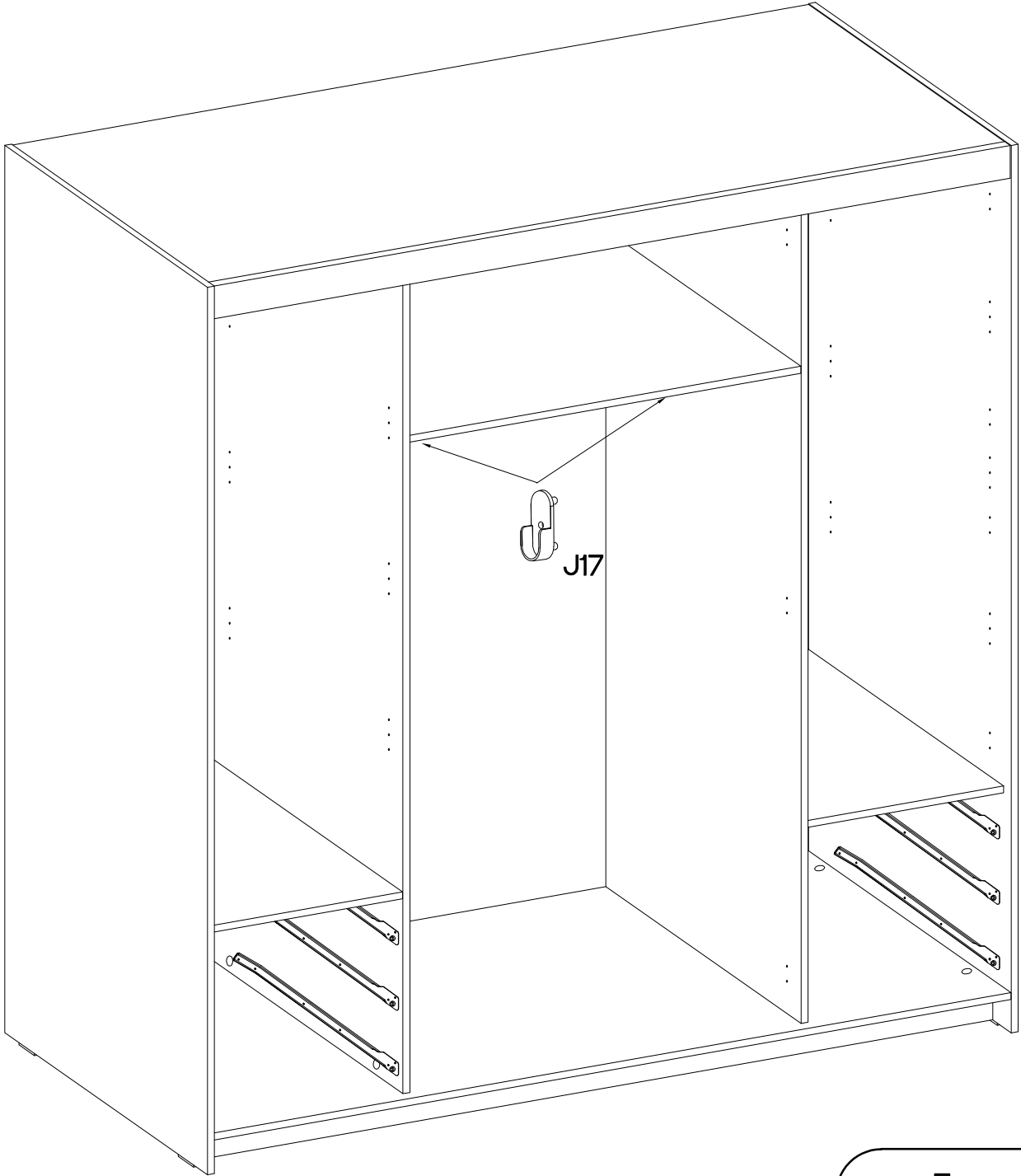
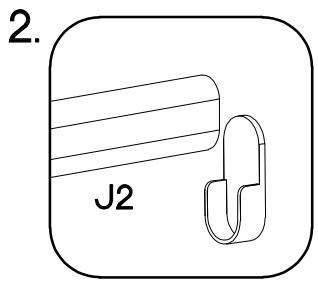
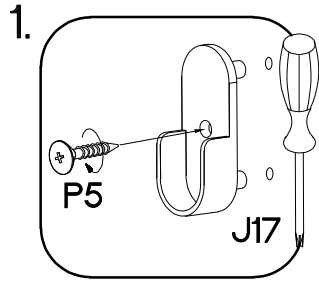
+4.0x16mm
P1
6

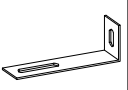





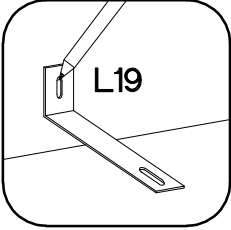
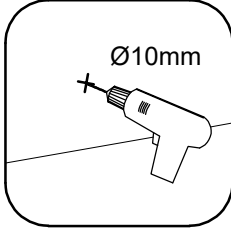
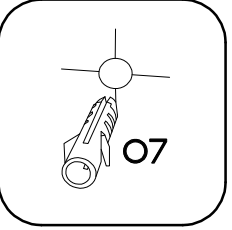
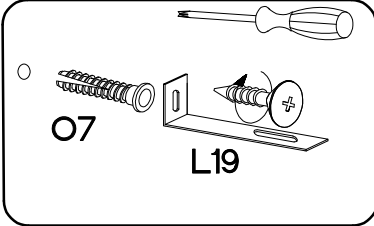
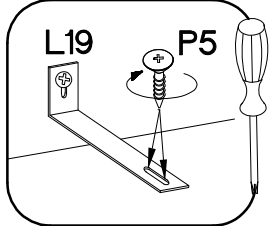
±3.0x20mm  P7 95-100	 L2 24
---	--

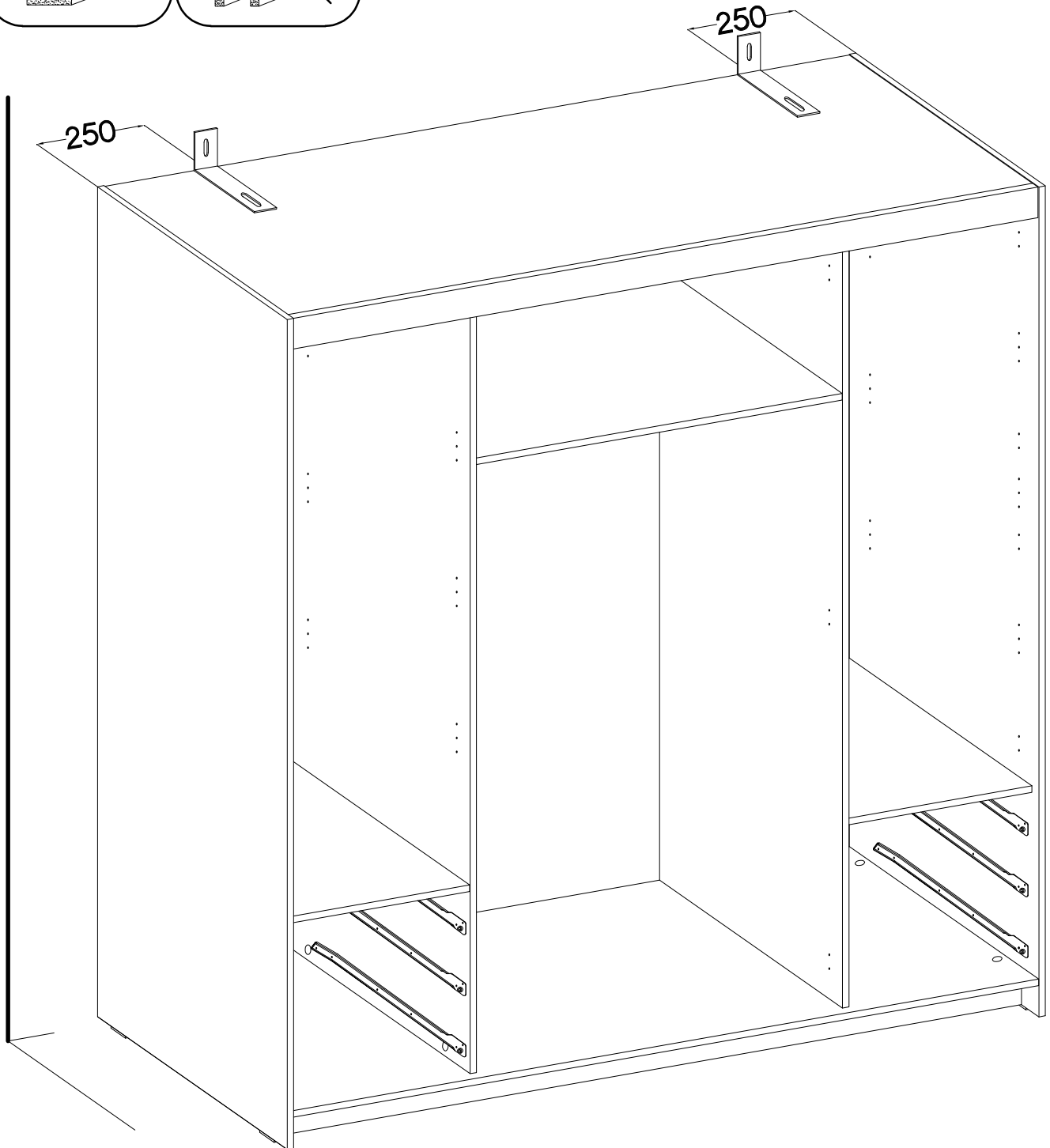
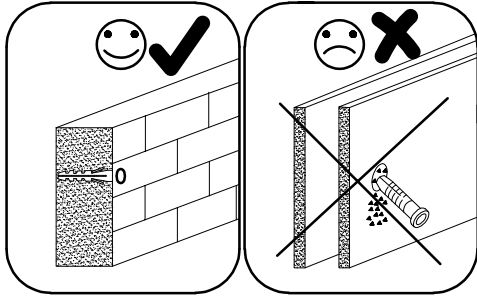


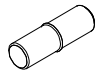
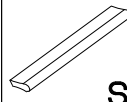

L=843mm  J2	 J17	φ3.5x13mm  P5	 E
1	2	2	16

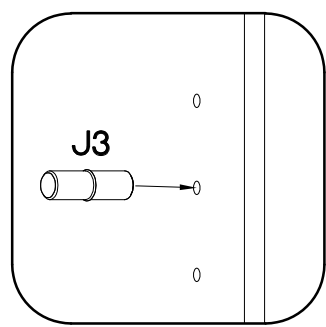
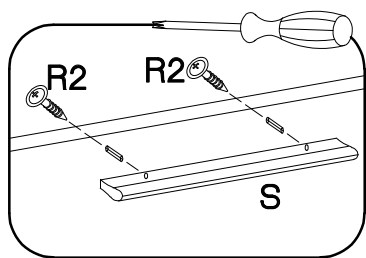
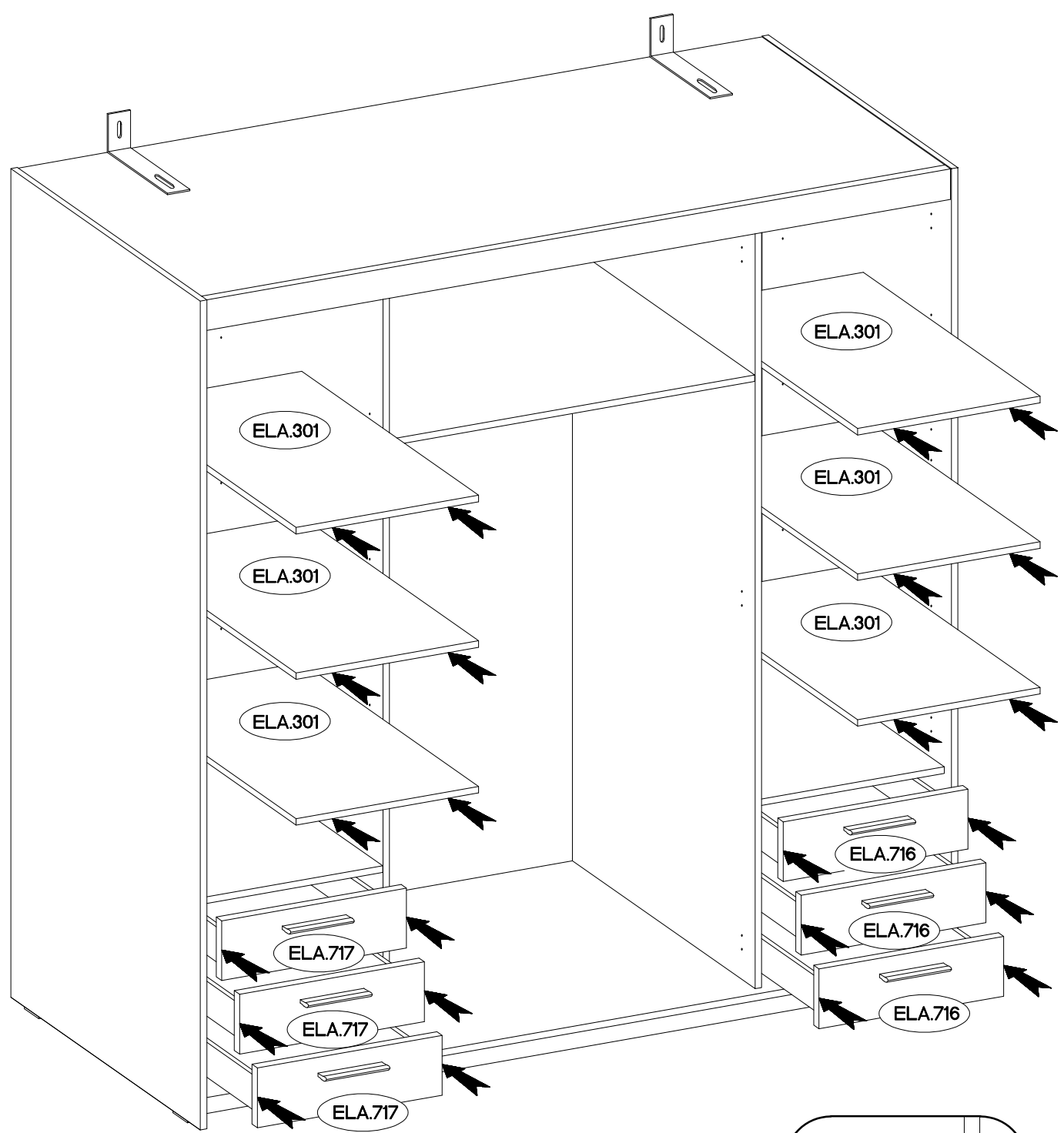
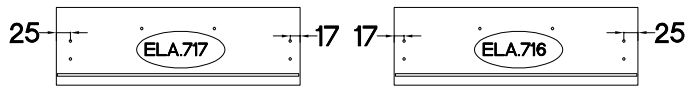


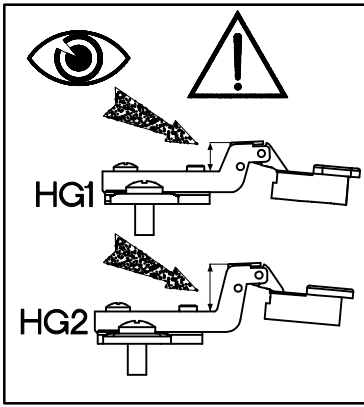
L19	±3.5x13mm	±5.0x60mm	±10x50mm
			
2	4	2	2

- 
- 
- 
- 
- 

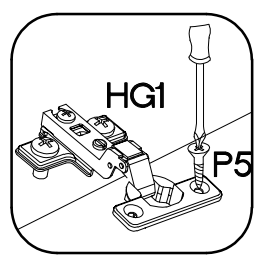
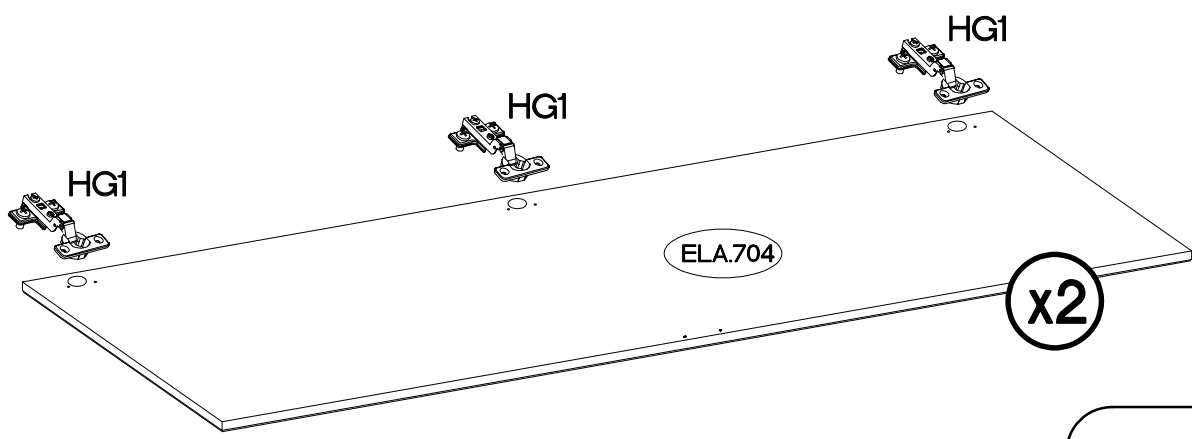
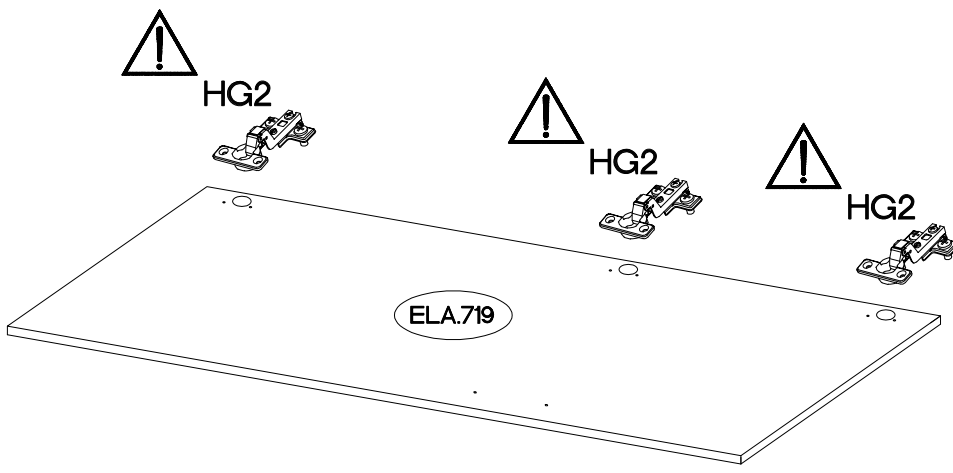
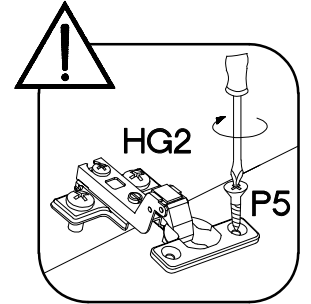
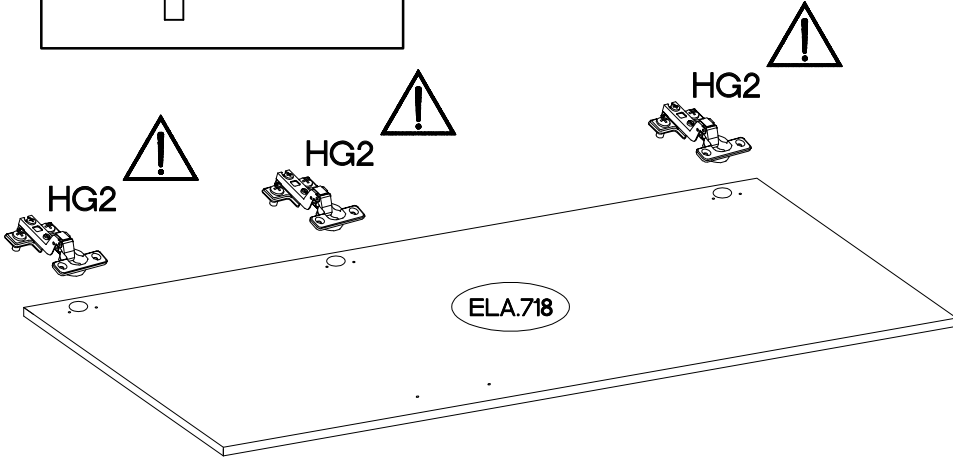
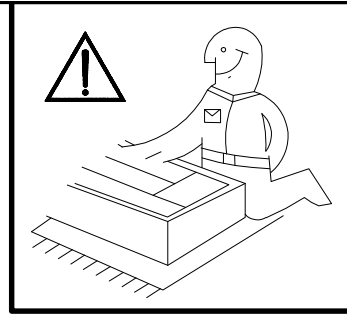


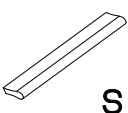

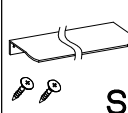
 +5/16mm J3 24	 L=128mm S 6	 +4.0x30mm R2 12
---	---	---





+35/9mm	+35/16mm	+3.5x13mm
HG1	HG2	P5
6	6	24



L=128mm  S	4.0x30mm  R2	L=64mm  S
2	4	1

