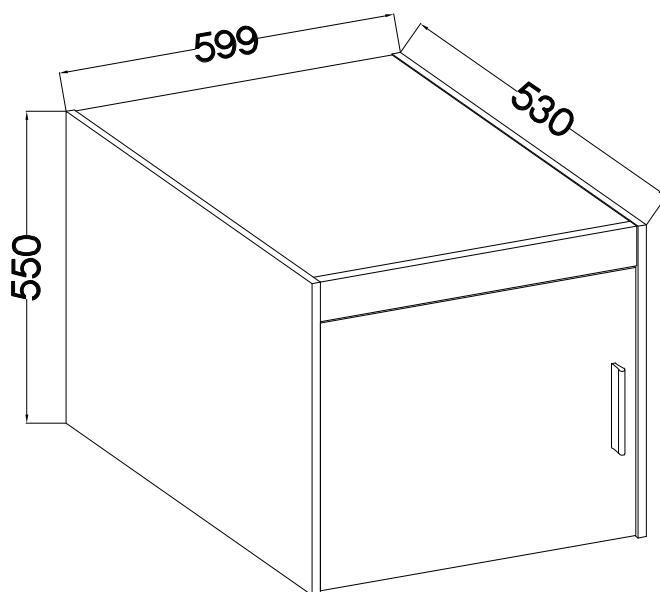
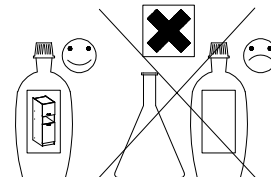
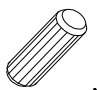

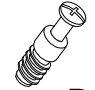


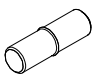


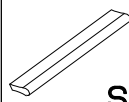


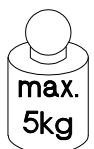
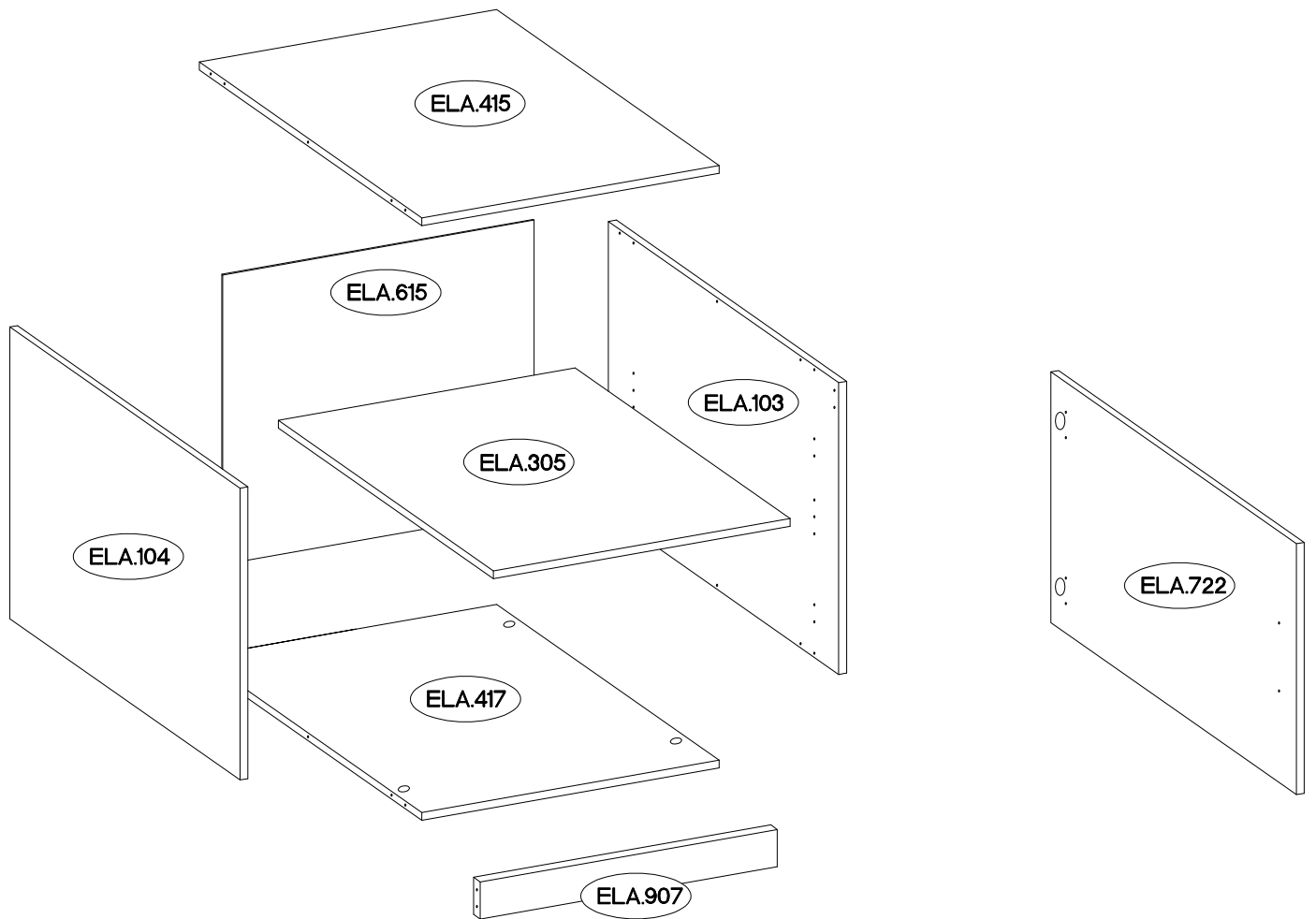


ELENA NA 1D



 <b>A</b> 16	 <b>C</b> 8	 <b>D2</b> 8	 <b>E</b> 8				
 <b>HG2</b> 2	 <b>J3</b> 4	 <b>P5</b> 4	 <b>P7</b> 20-25	 <b>S</b> 1	 <b>R</b> 4	 <b>R2</b> 2	
$\pm 8 \times 30 \text{mm}$	$\pm 15 / 12 \text{mm}$	$L = 20 \text{mm}$			$L = 128 \text{mm}$	$\pm 4.0 \times 25 \text{mm}$	$\pm 4.0 \times 30 \text{mm}$

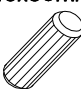


P-ISM-ELA-16

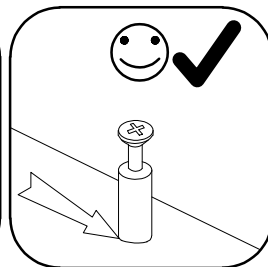
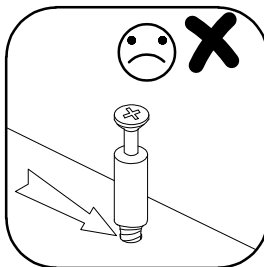
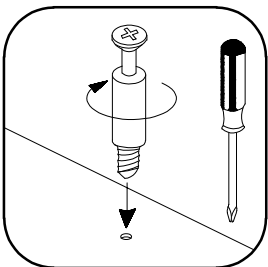
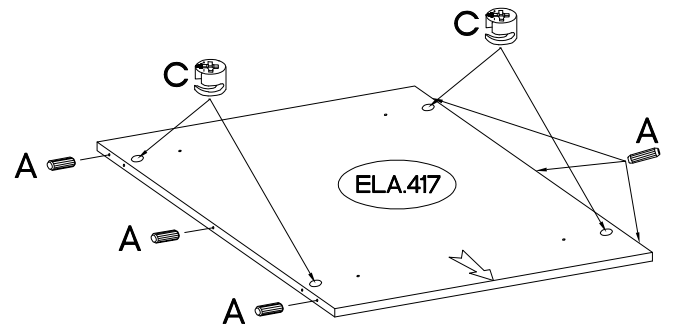
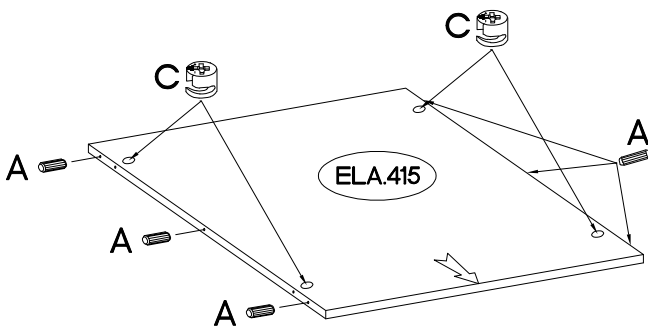
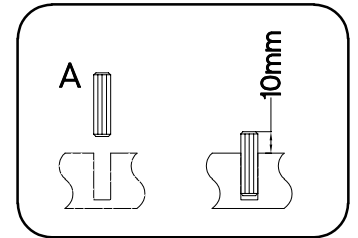
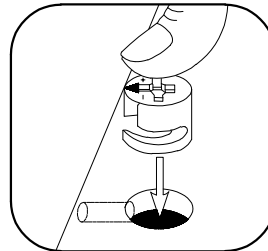
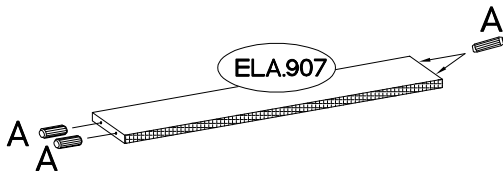
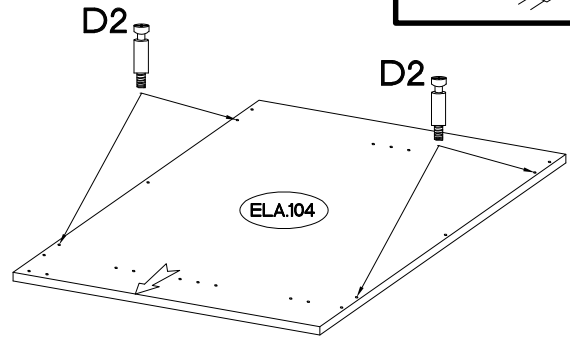
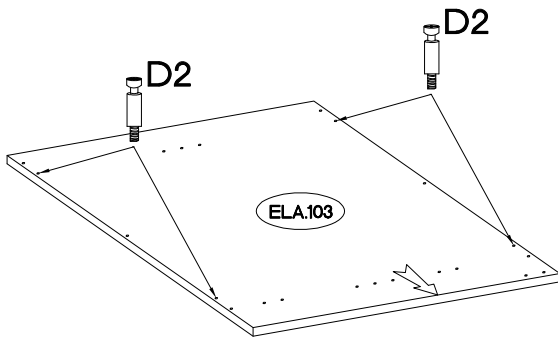
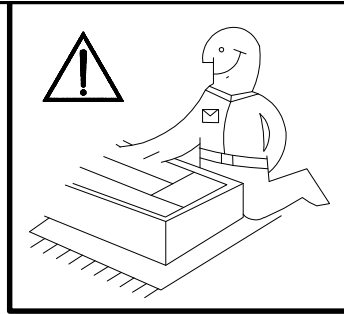


ELA.305

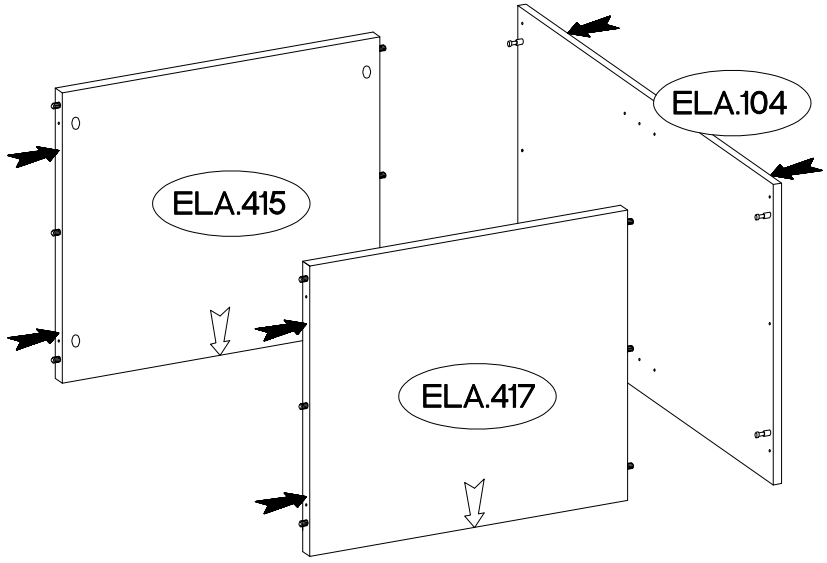
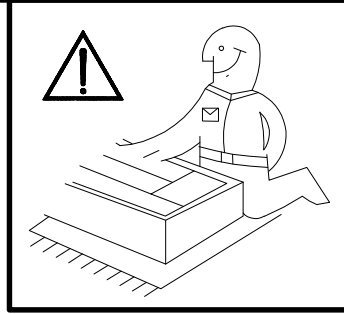
Colli	Ersatzteil Nummer	Dimension
Colli 1/1	ELA.103	550x530x15
	ELA.104	550x530x15
	ELA.305	568x495x15
	ELA.415	569x512x15
	ELA.417	569x512x15
	ELA.615	546x596x2,5
	ELA.722	473x565x15
	ELA.907	569x70x15

1

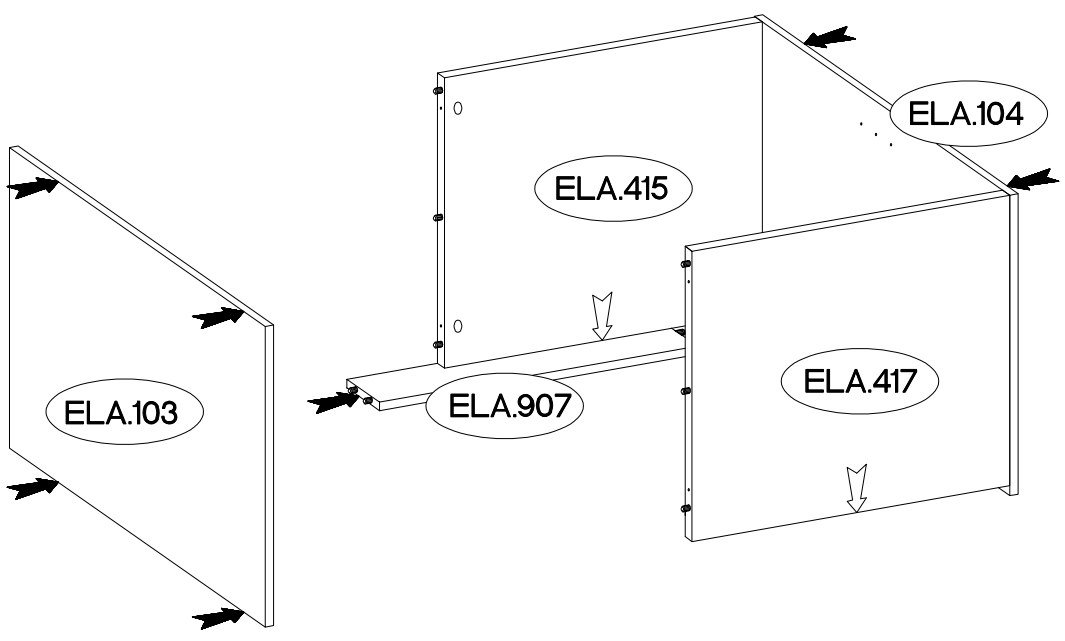
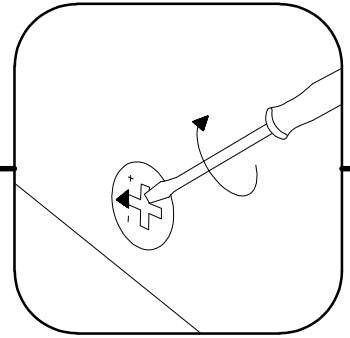
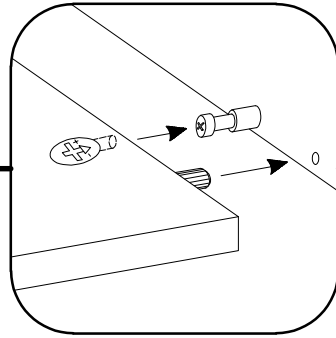
$\varnothing 8 \times 30 \text{mm}$  A 16	$\varnothing 15/12 \text{mm}$  C 8	L=20mm  D2 8
------------------------------------------------------------------------------------------------------------------------------------	-----------------------------------------------------------------------------------------------------------------------------	-------------------------------------------------------------------------------------------------------




2

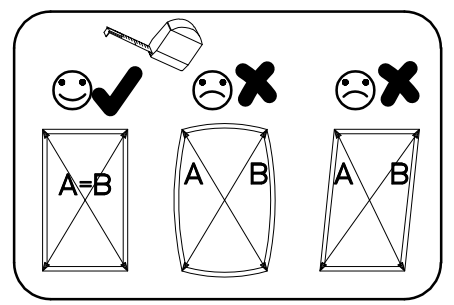
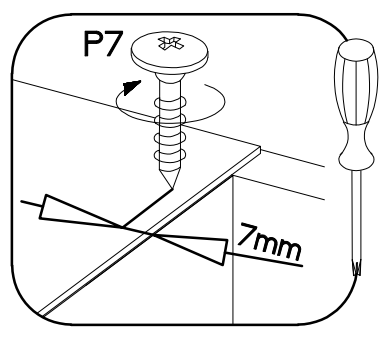
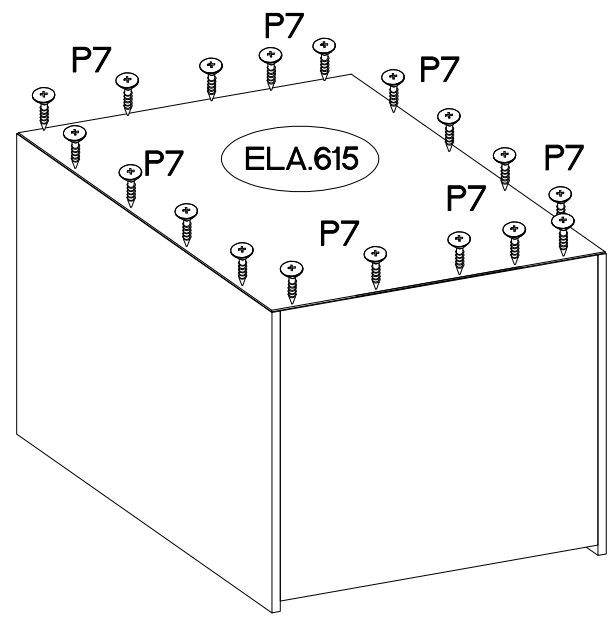
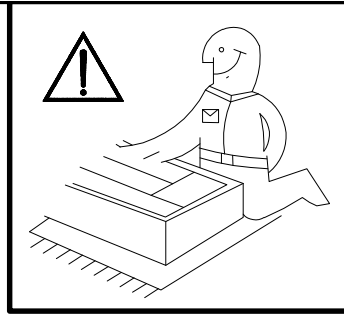


3



4

±3.0x20mm  
  
P7  
20-25



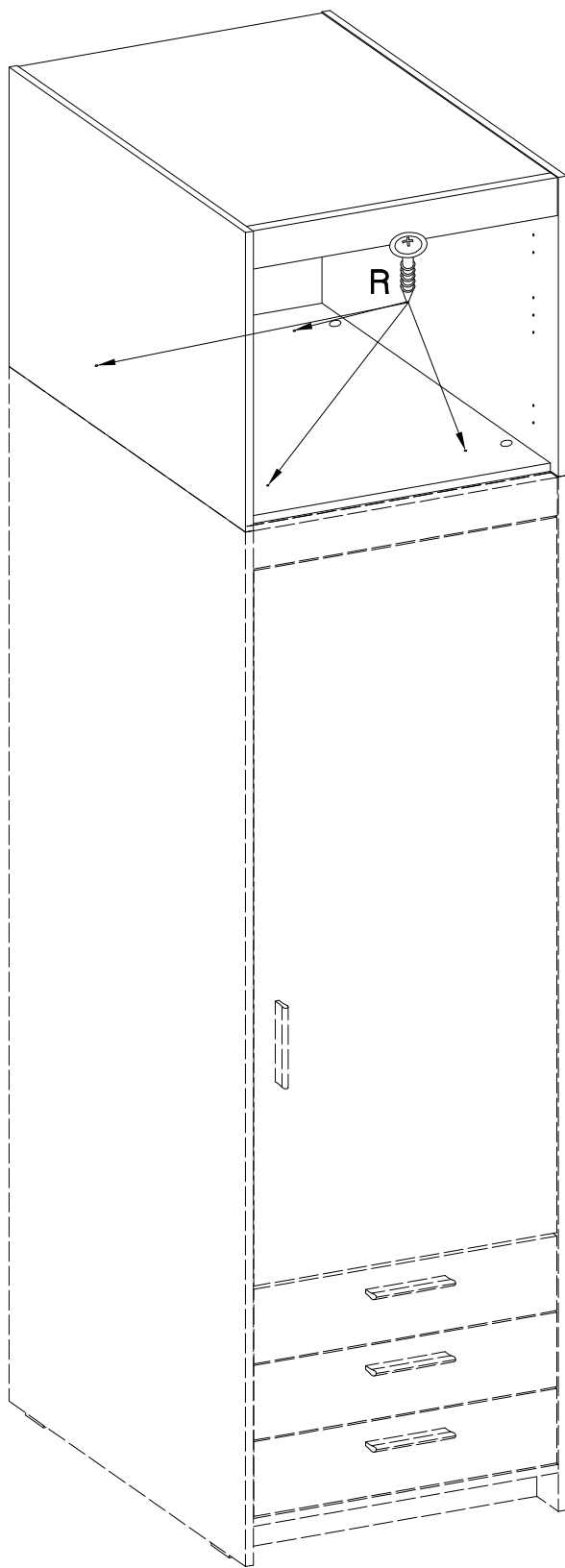
5

±4.0x25mm

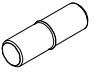



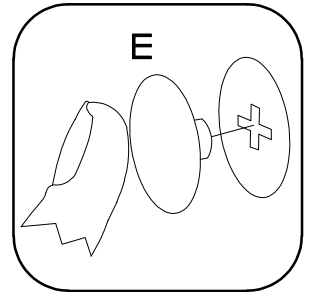
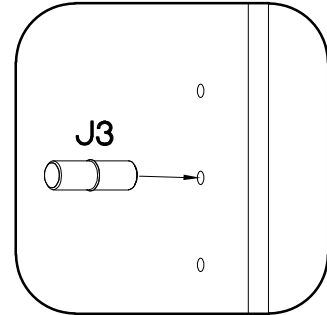
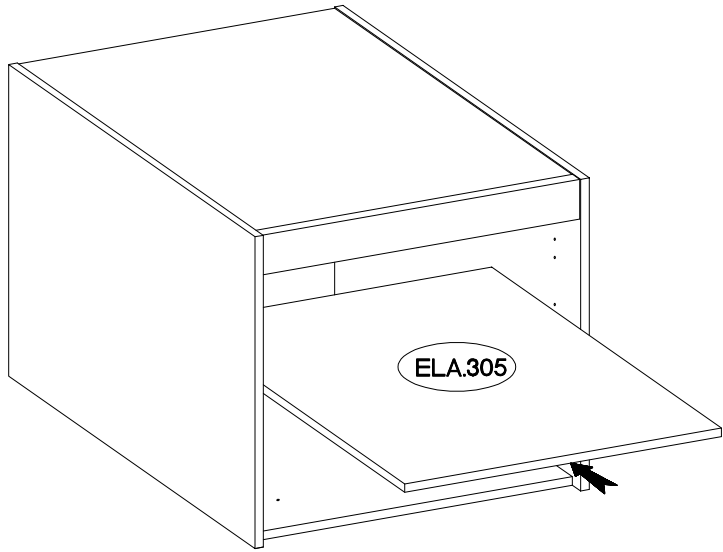
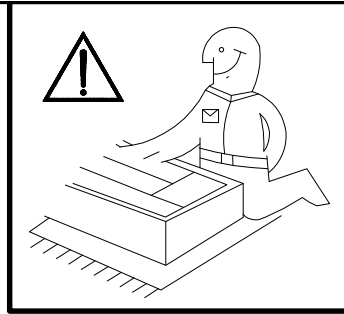
R

4





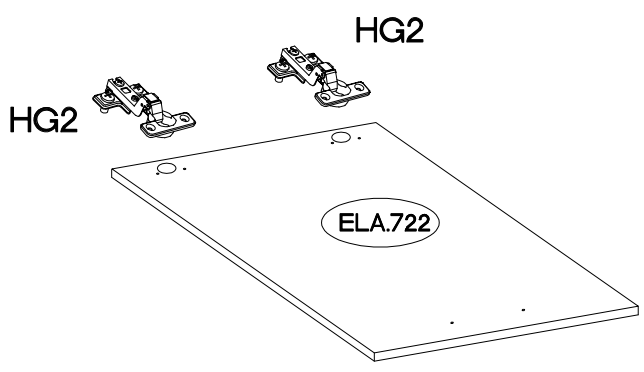
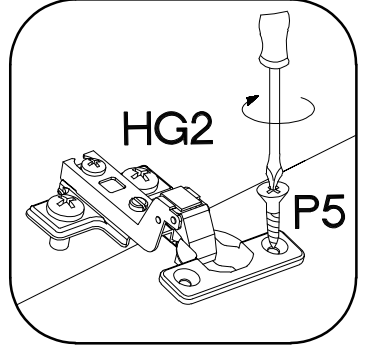
6

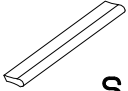

$\pm 5/16\text{mm}$		
	J3	E
	4	8



7

$\pm 35/16\text{mm}$	$\pm 3.5 \times 13\text{mm}$
	
HG2	P5
2	4



L=128mm	4.0x30mm
	
S	R2
1	2

