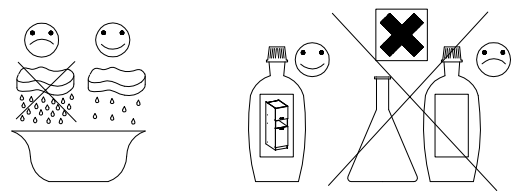
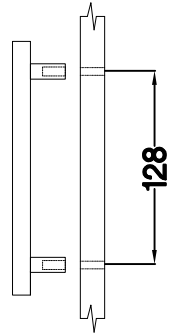
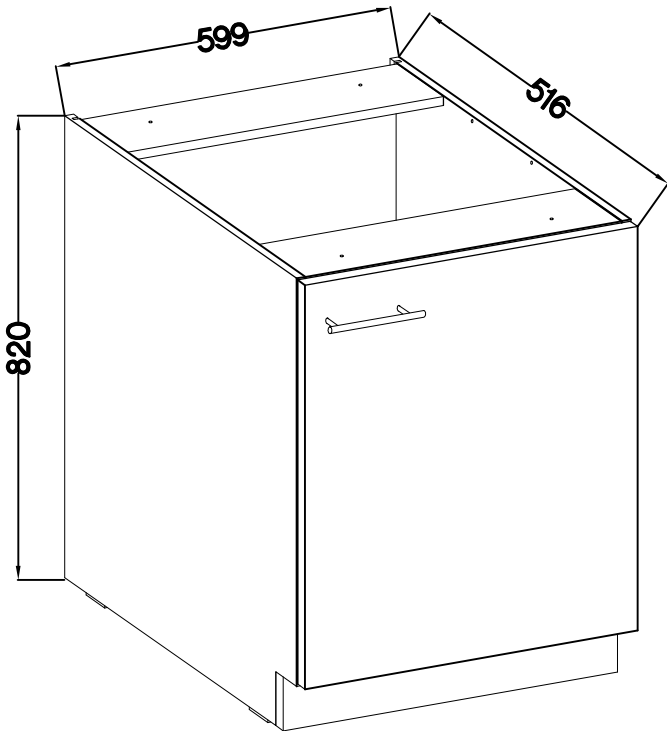


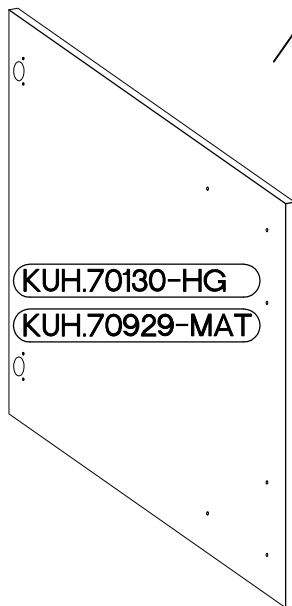
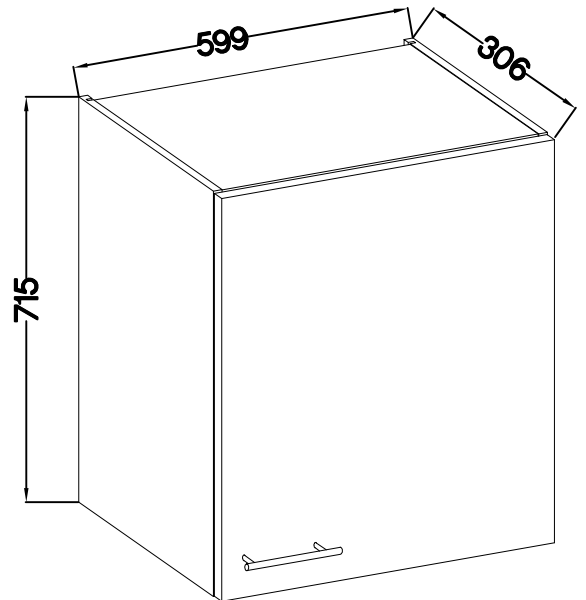
60 D 1F BB  
60 G-72 1F  
FRONT





60 D 1F BB



60 G-72 1F



M4x22mm	L=128mm
	
U	S
2	1

ISM-KUH-01645

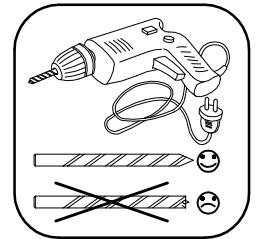
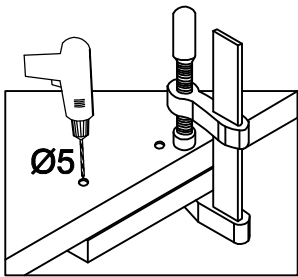
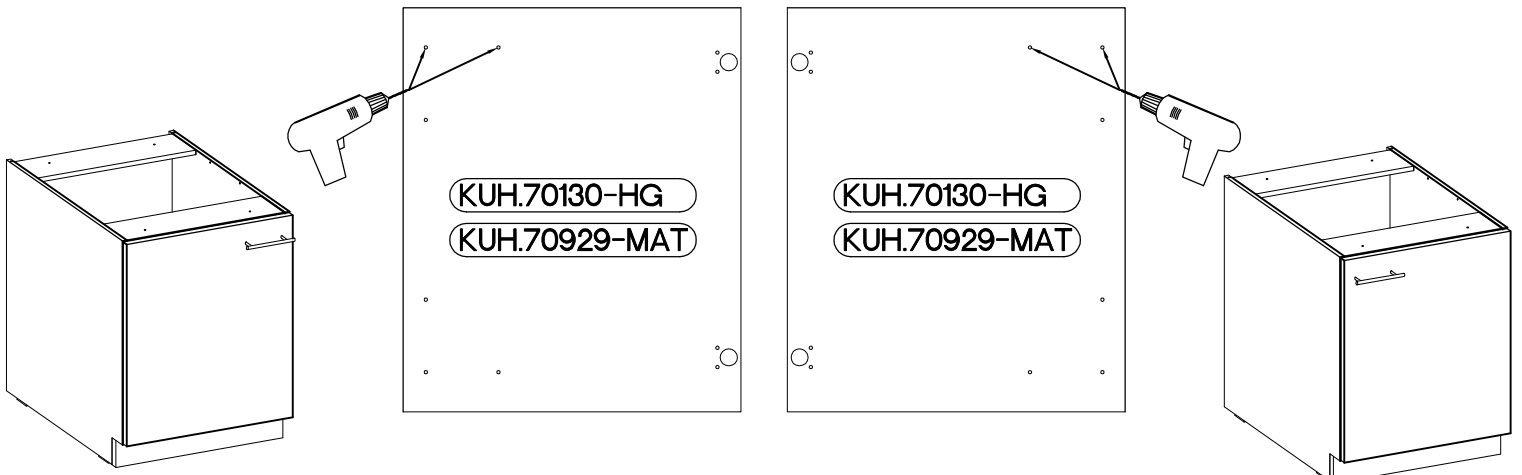
# 1 60 D 1F BB





LEFT

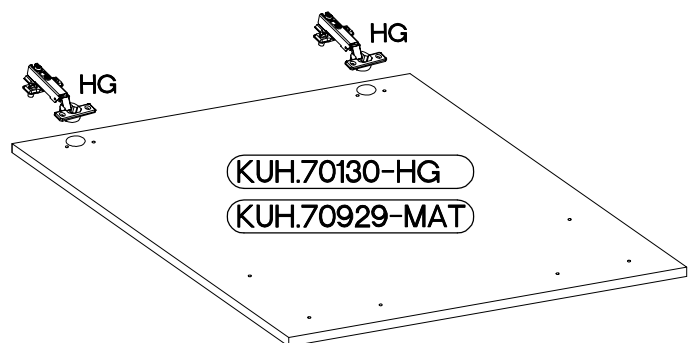
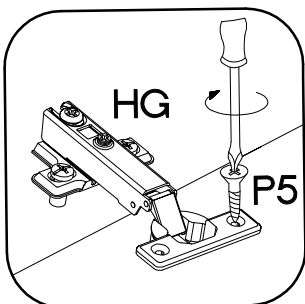


RIGHT


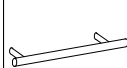


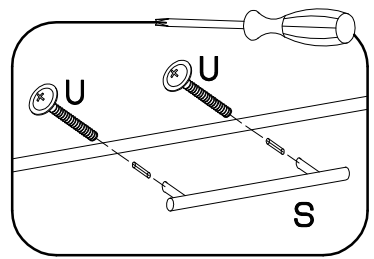
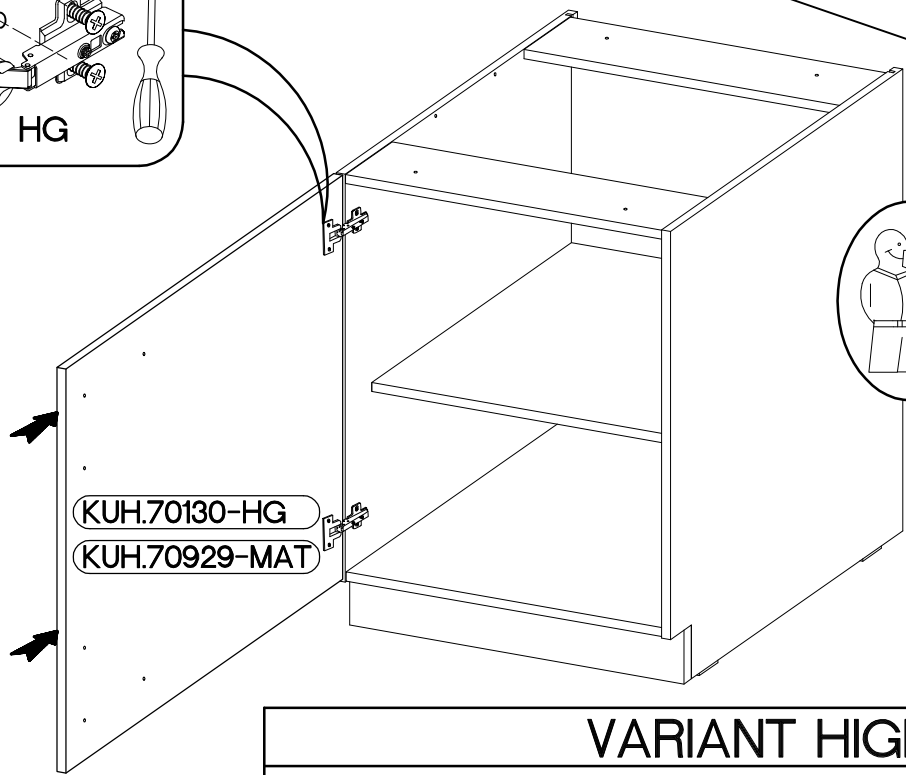
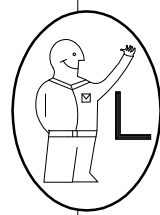
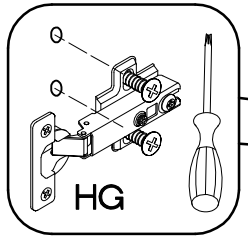
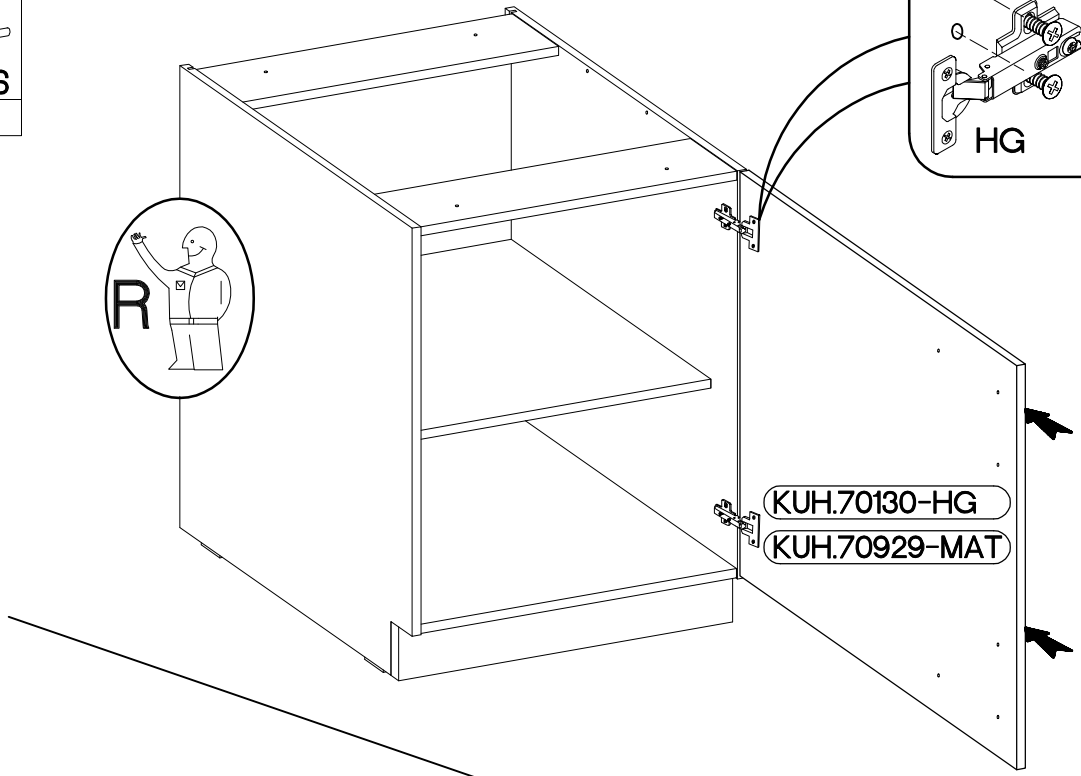
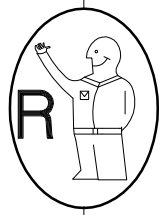
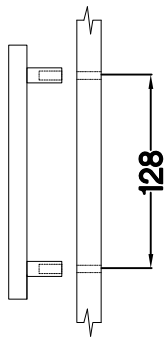
# 2

 †35/0mm [CD] HG 2	 †3.5x13mm P5 4
--	---

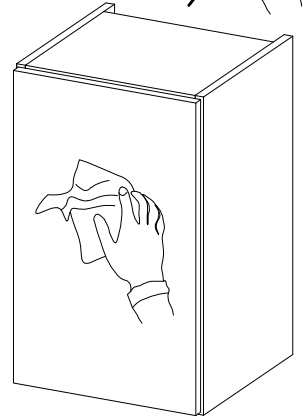
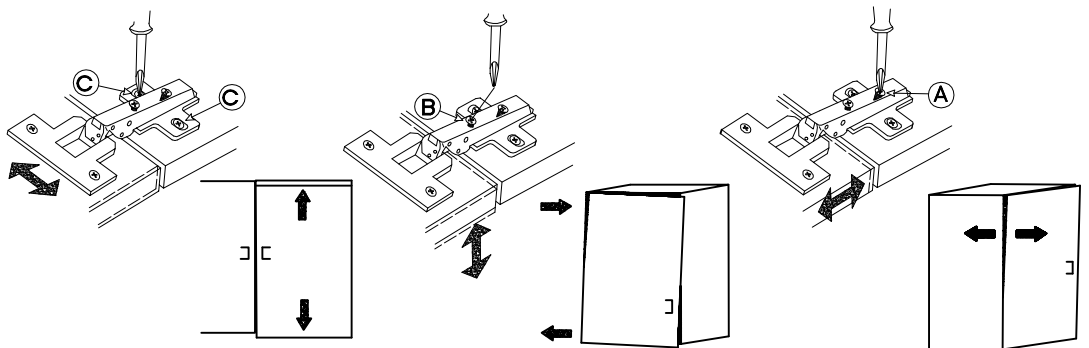
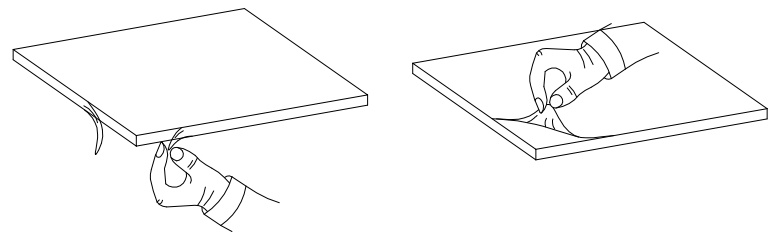


3

M4x22mm	L=128mm
	
U	S
2	1



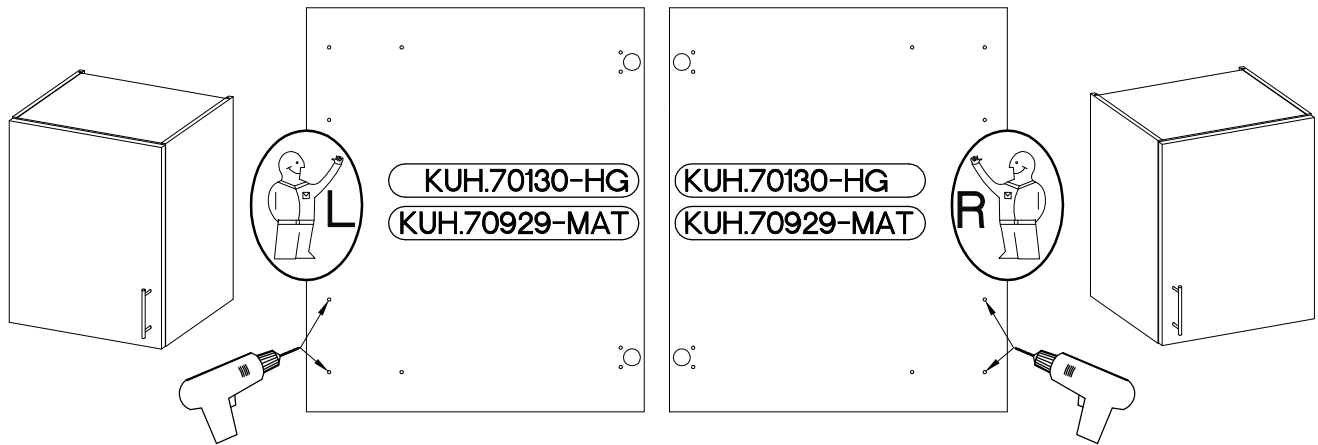
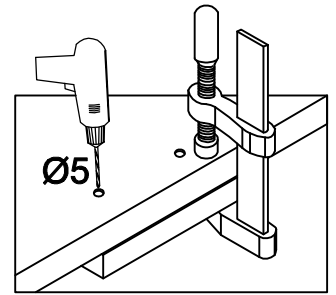
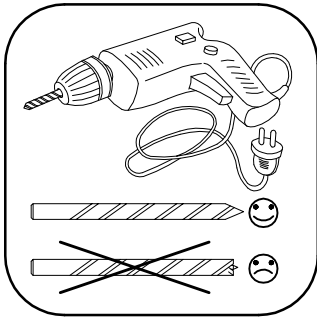
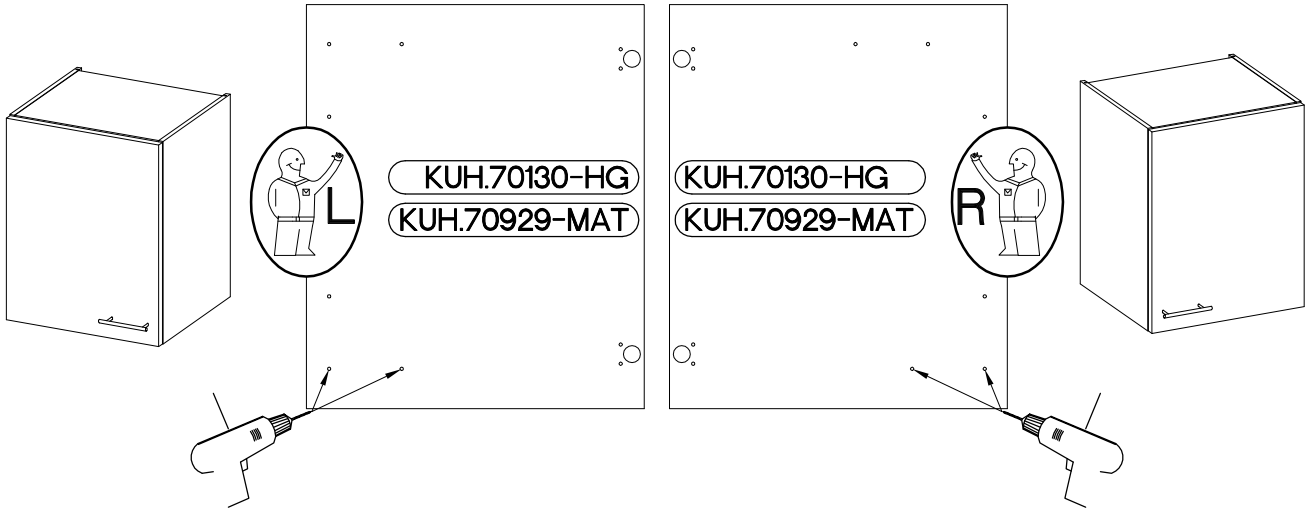
VARIANT HIGH GLOSS



# 4 60 G-72 1F

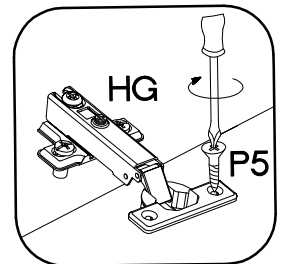
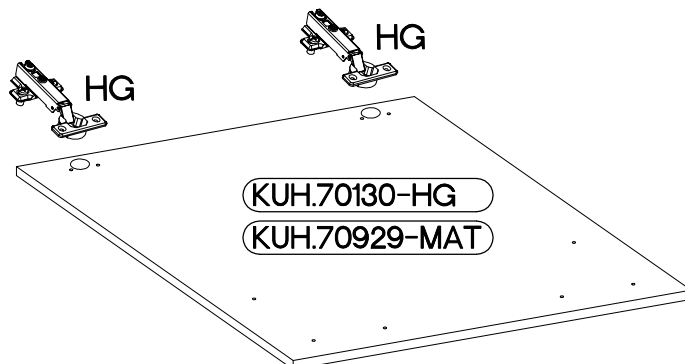
LEFT

RIGHT





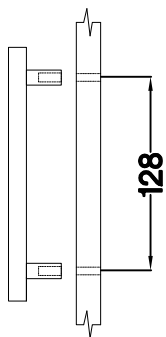
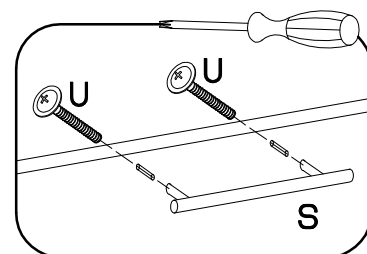
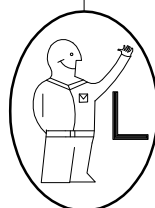
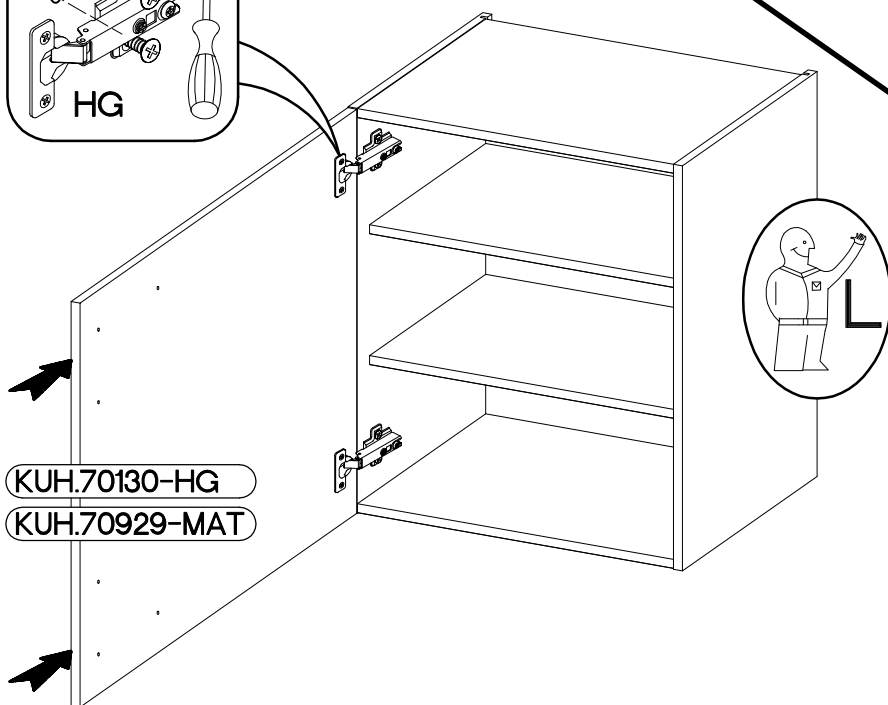
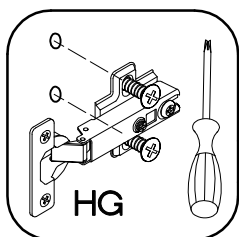
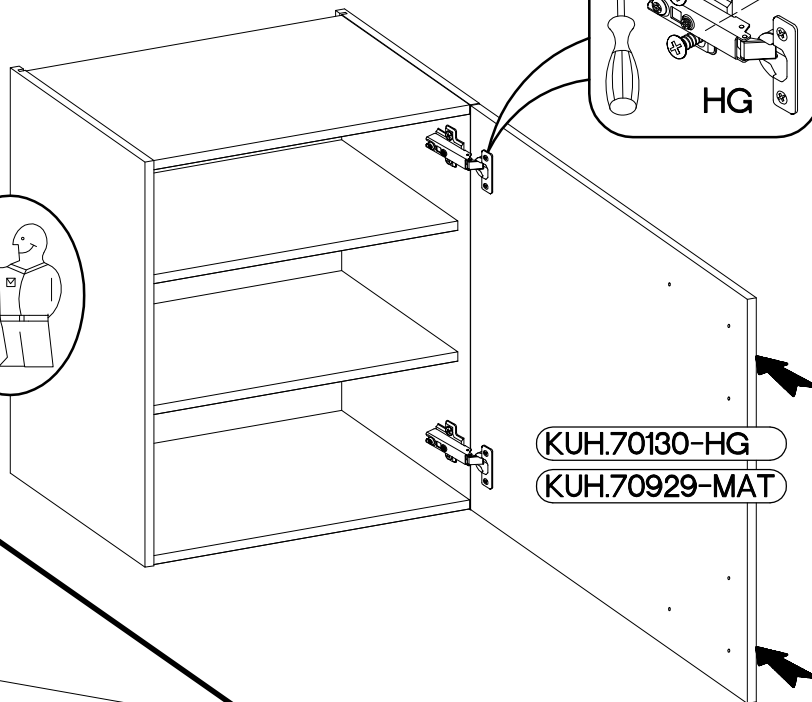
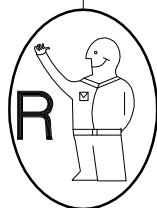
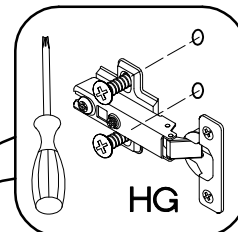
# 5

+35/0mm [CD] HG 2	+3.5x13mm P5 4
-------------------------	----------------------



6

M4x22mm	L=128mm
	
U	S
2	1



### VARIANT HIGH GLOSS

