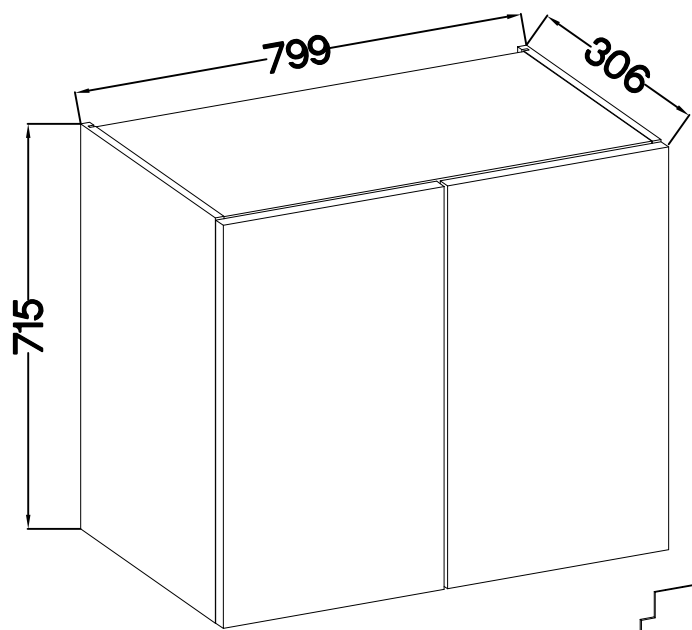
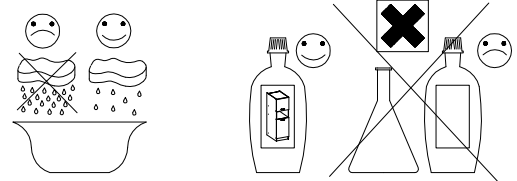
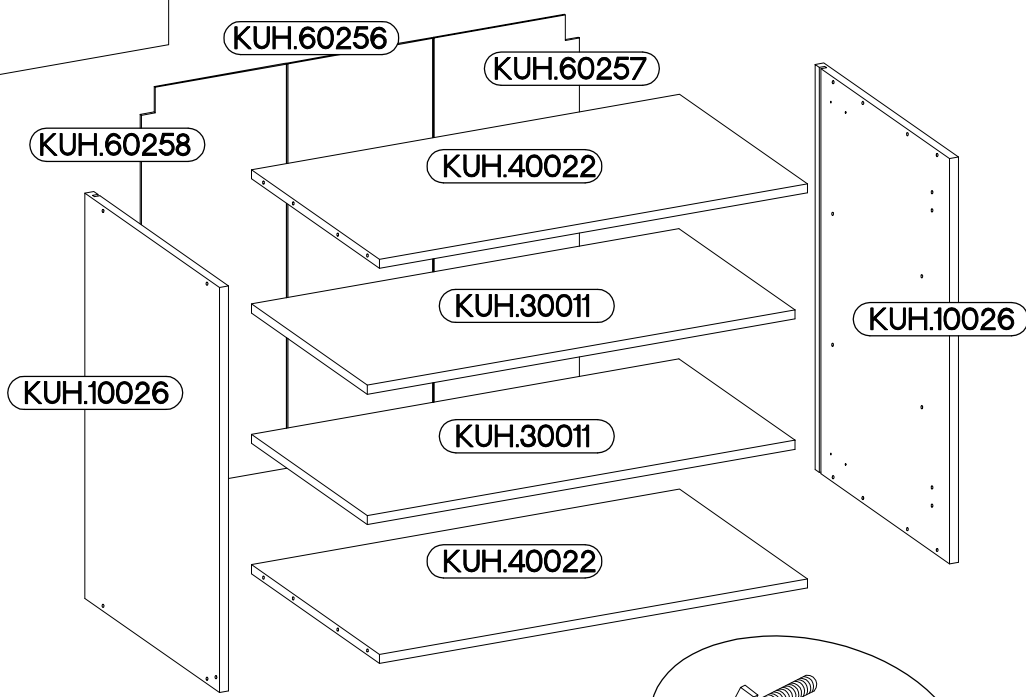


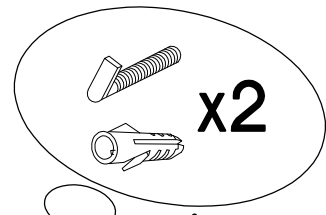
80 G-72 2F



max. 5kg
 KUH.30011
 KUH.40022

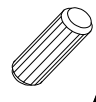

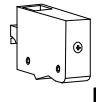


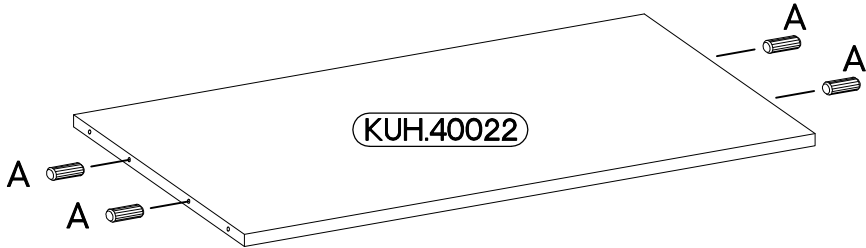
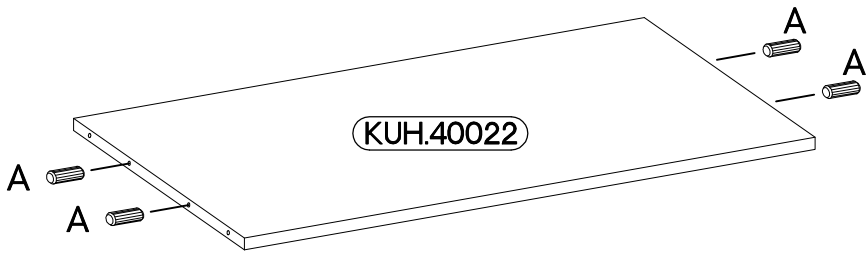
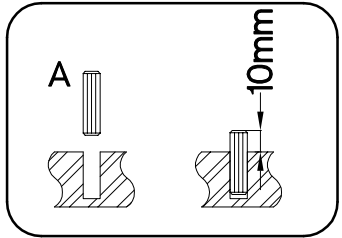
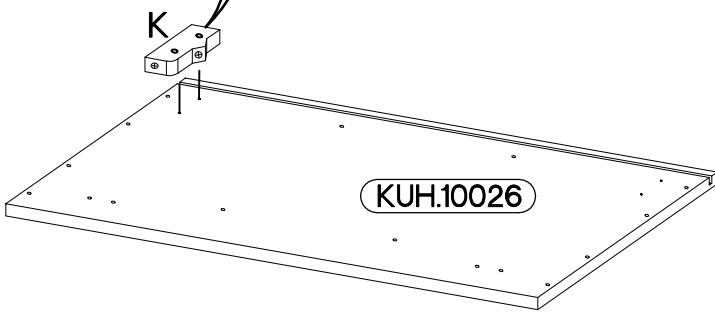
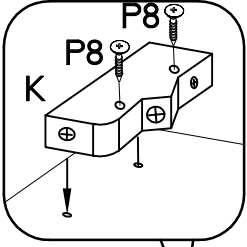
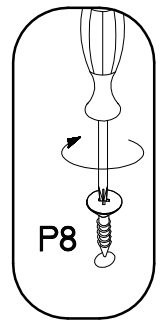
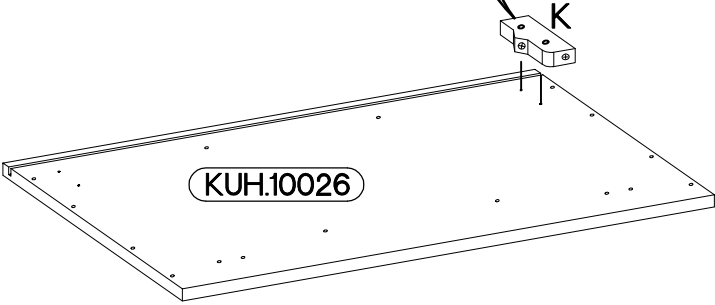
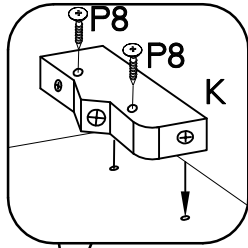
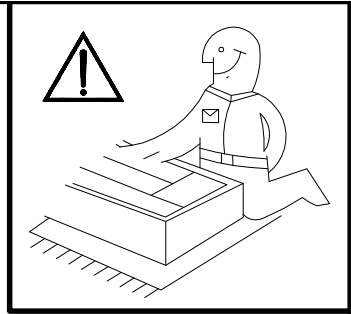
$\pm 8 \times 30 \text{mm}$ A	$6,4 \times 50 \text{mm}$ B	 E1	$\pm 35 / 0 \text{mm}$ [CD] HG	$\pm 5 / 19 \text{mm}$ J	
8	8	8	4	8	
$L1=680 \text{mm}$ L1	 K	 O	$\pm 3,5 \times 13 \text{mm}$ P5	$\pm 3,0 \times 20 \text{mm}$ P7	$\pm 4,0 \times 30 \text{mm}$ P8
2	2	1	8	15-20	4



ISM-KUH-01631

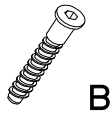
1

 ‡8x30mm A	 ‡4.0x30mm P8	 K
8	4	2



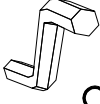
2

6,4 x 50mm



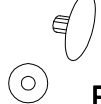
B

4



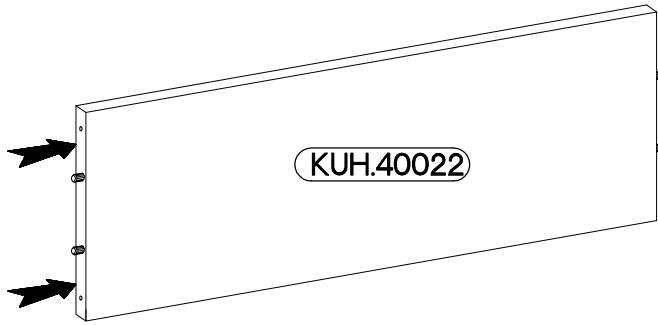
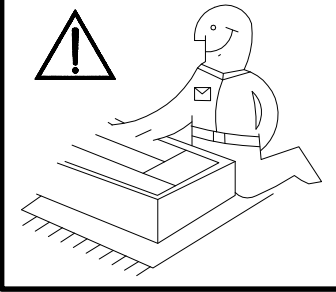
O

1

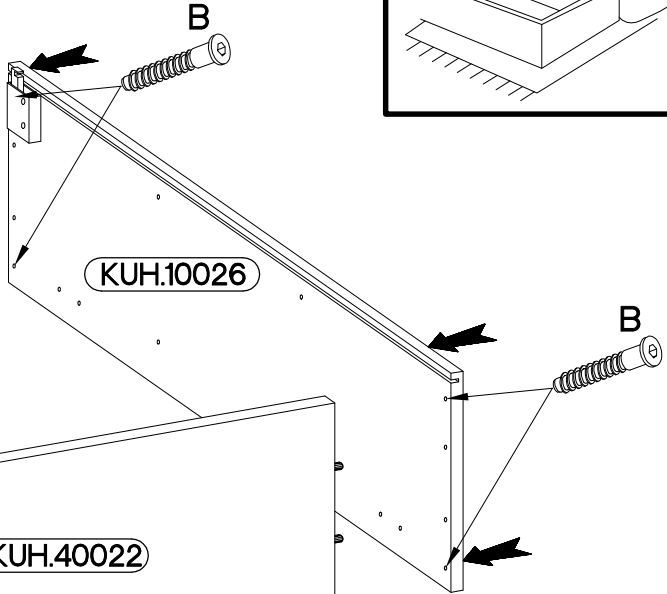


E1

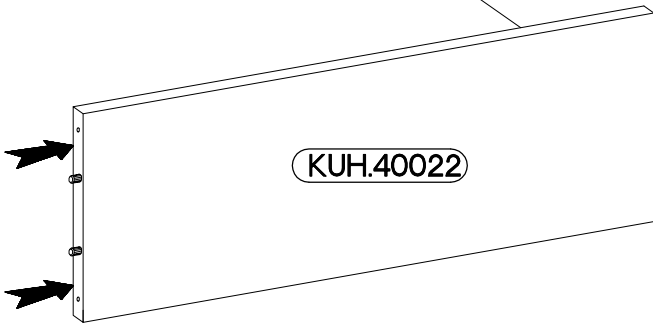
4



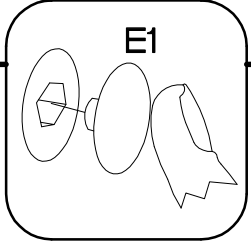
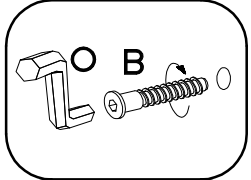
KUH.40022



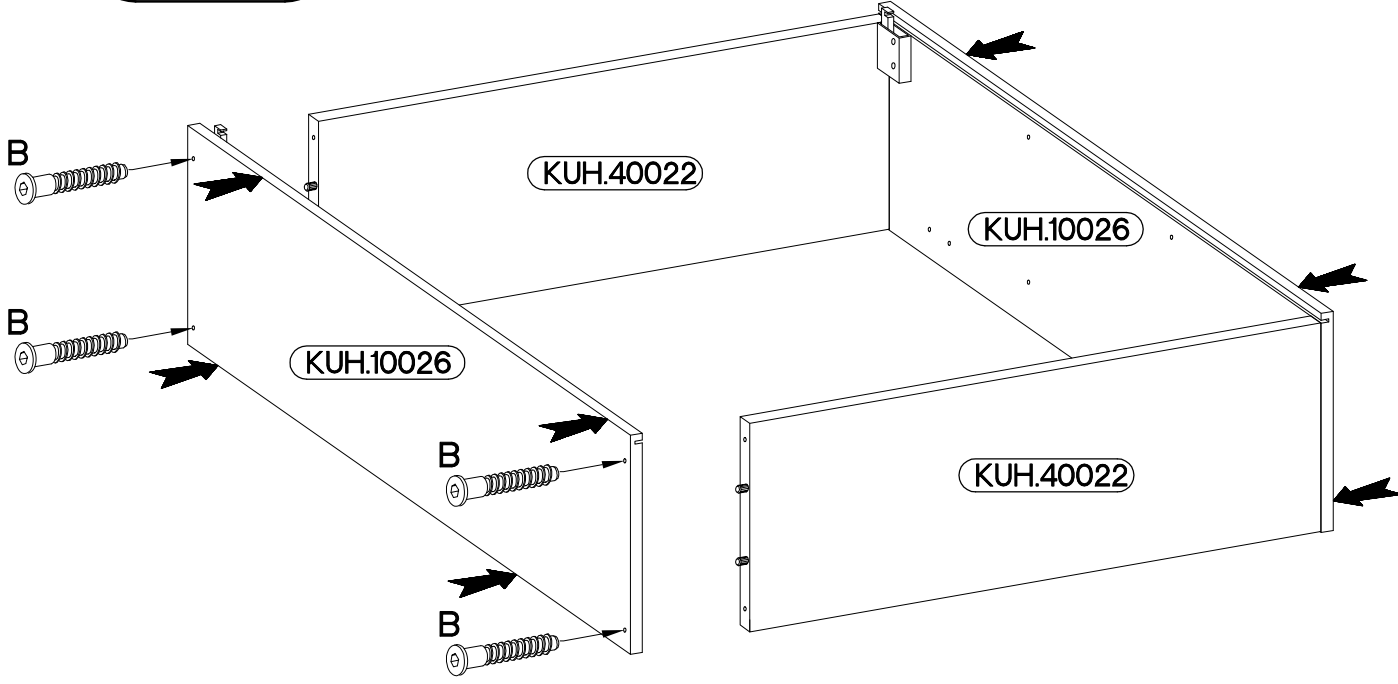
KUH.10026



KUH.40022



3



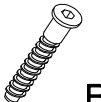
KUH.40022

KUH.10026

KUH.10026

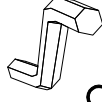
KUH.40022

6,4 x 50mm



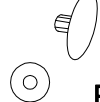
B

4



O

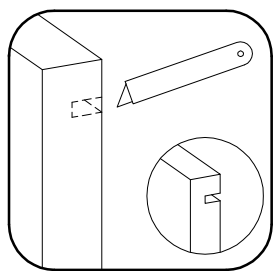
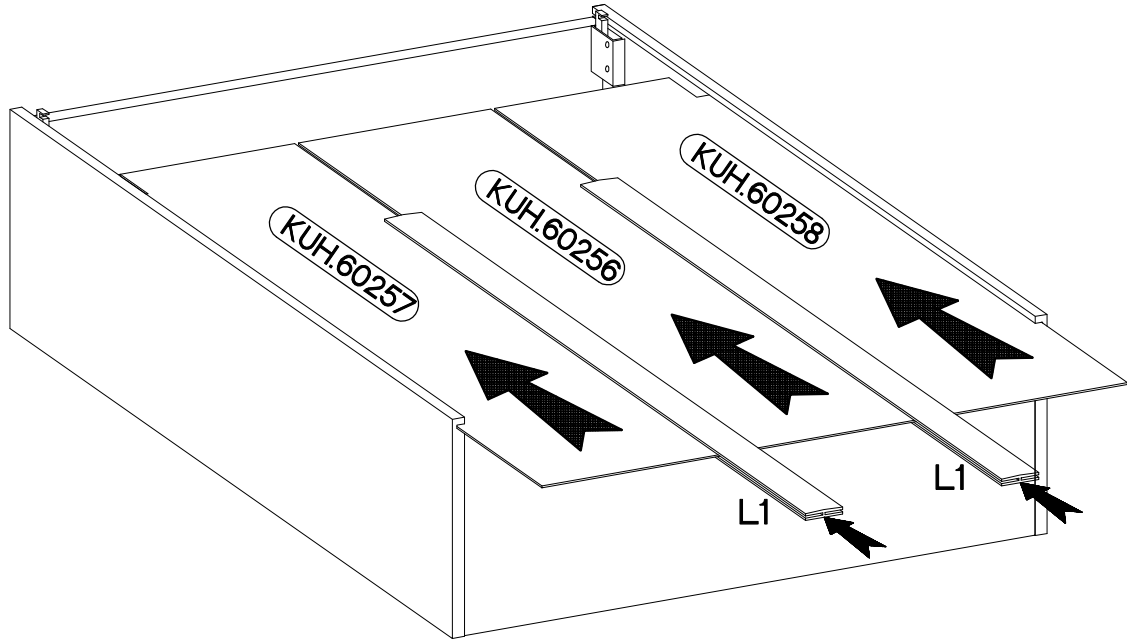
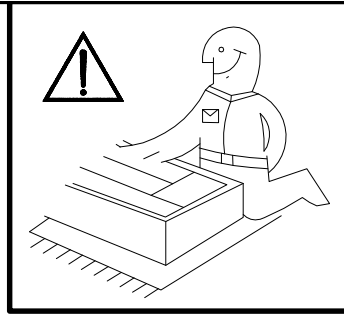
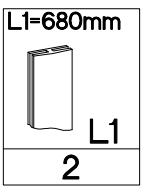
1



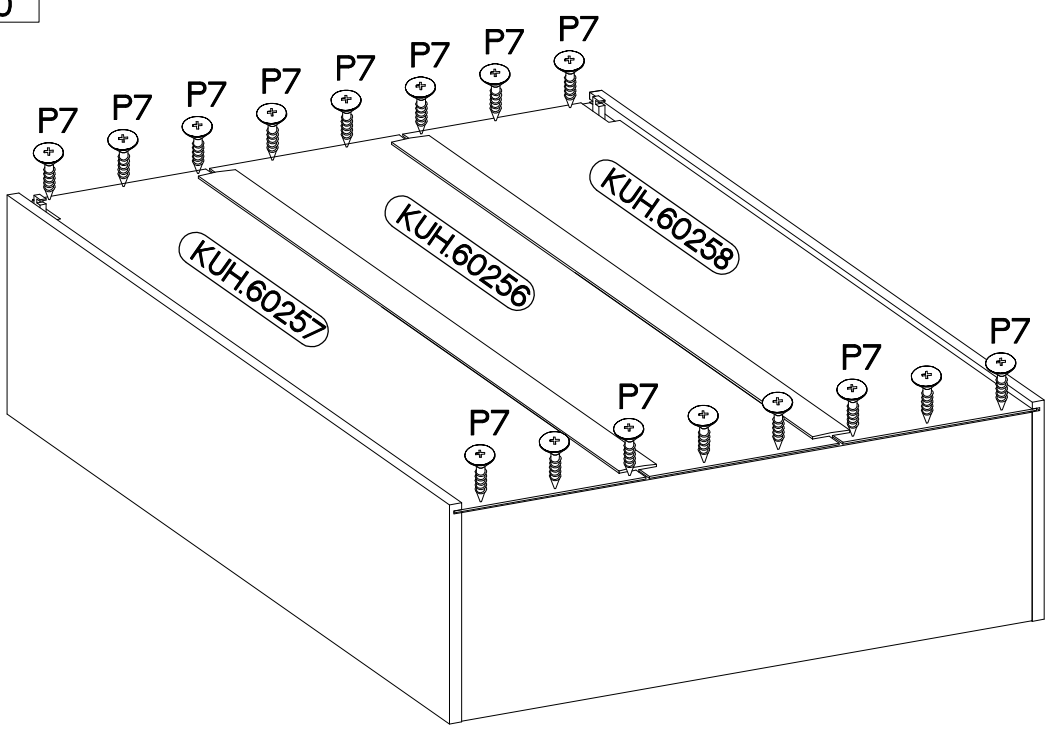
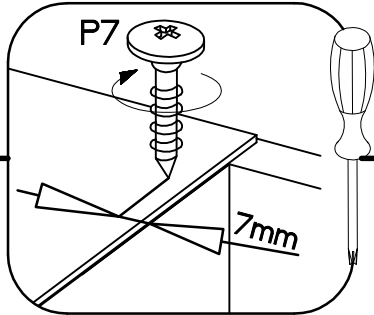
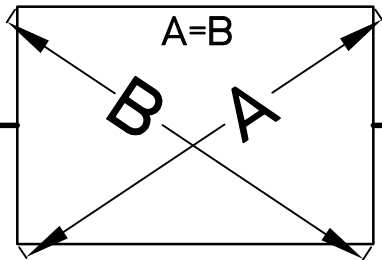
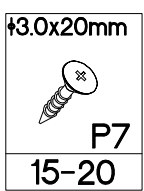
E1

4

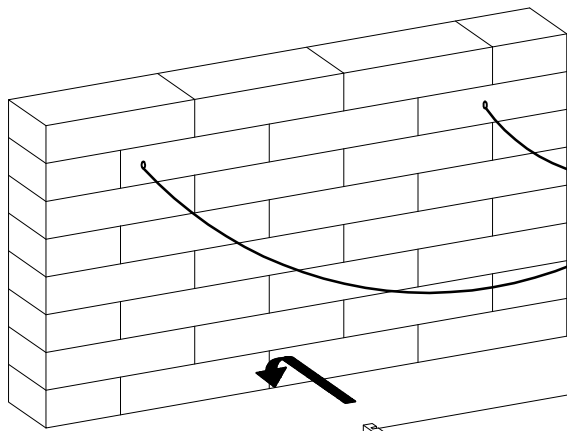
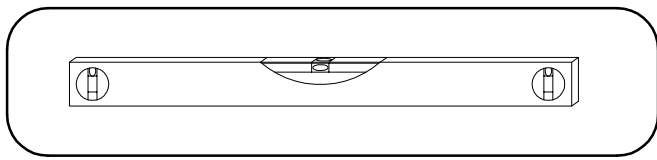
4



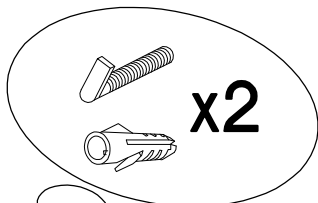
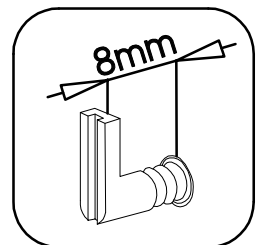
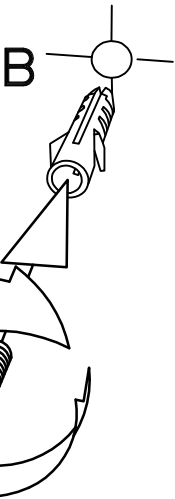
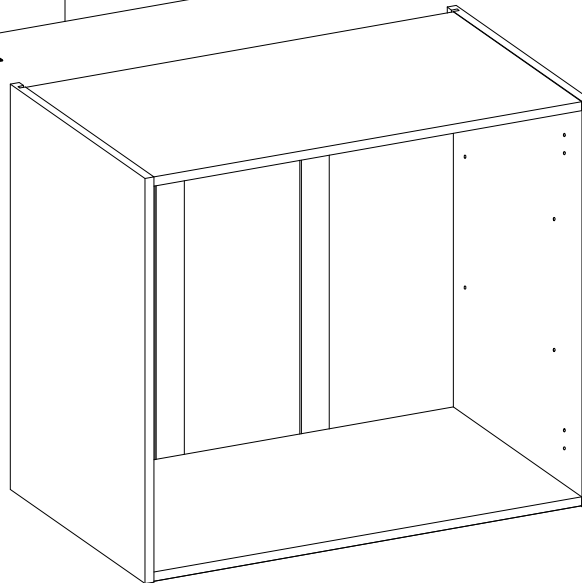
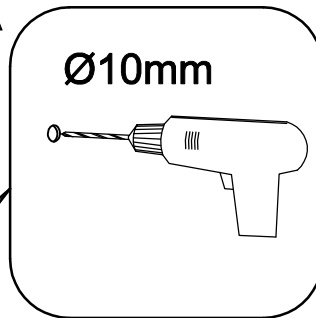
5



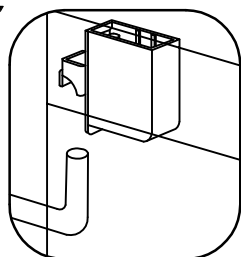
6



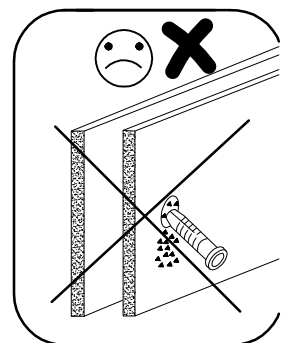
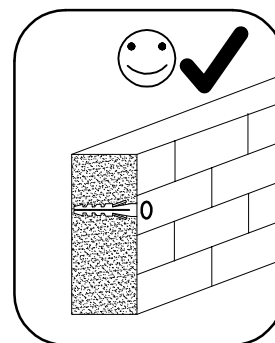
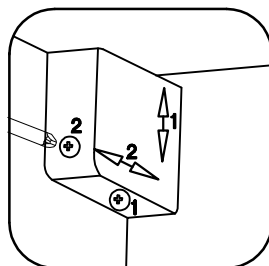
A



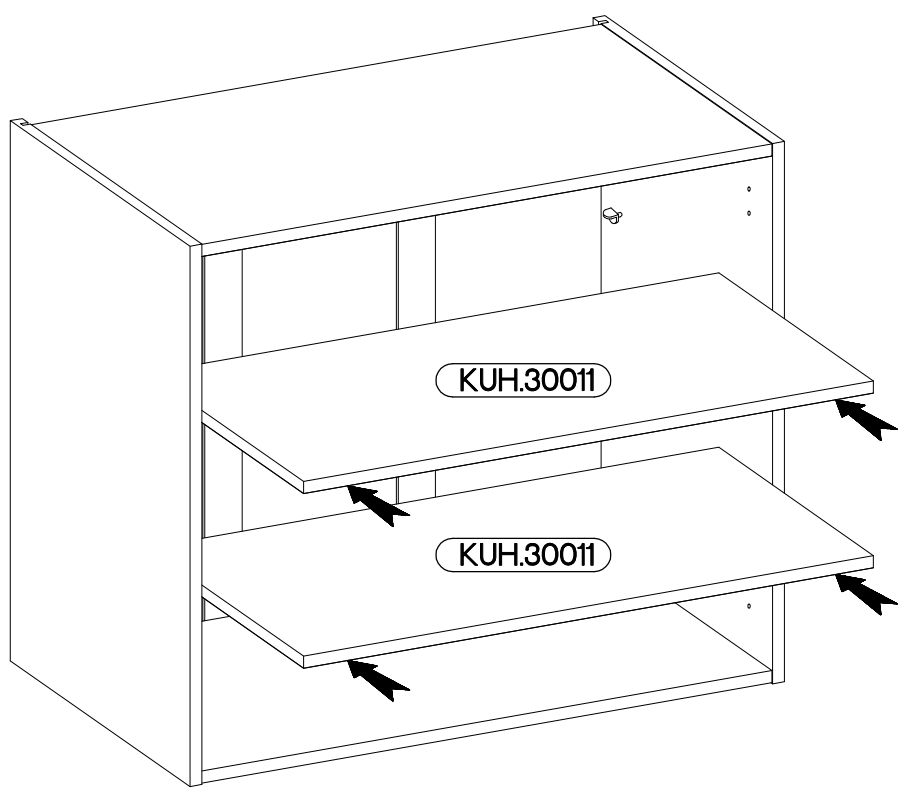
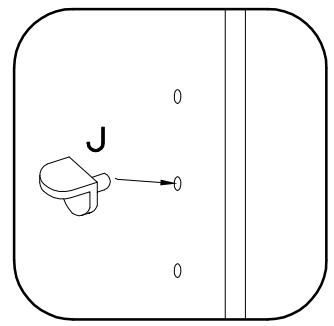
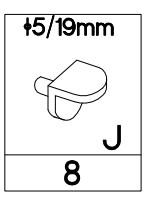
C



D



7



8

FRONT

