

| | | | | | |
|--------------------|--------------------|-------------------|---------|-----------------|---------|
| 8x30 D 32 | A1 2 | Ø15x12 35 | X 35 | 8X45 D1 2 | UD 2 |
| 3.5x16 H1 12 | S 8 | 6,3x13 F2 8 | NW 6 | ST 6 | RG 4 |
| 4.0x16 H 12 | 3.0x13 H3 20 | GW 12 | I 16 | A 31 | RD 4 |

3.0x13



H3

10

B



7

D

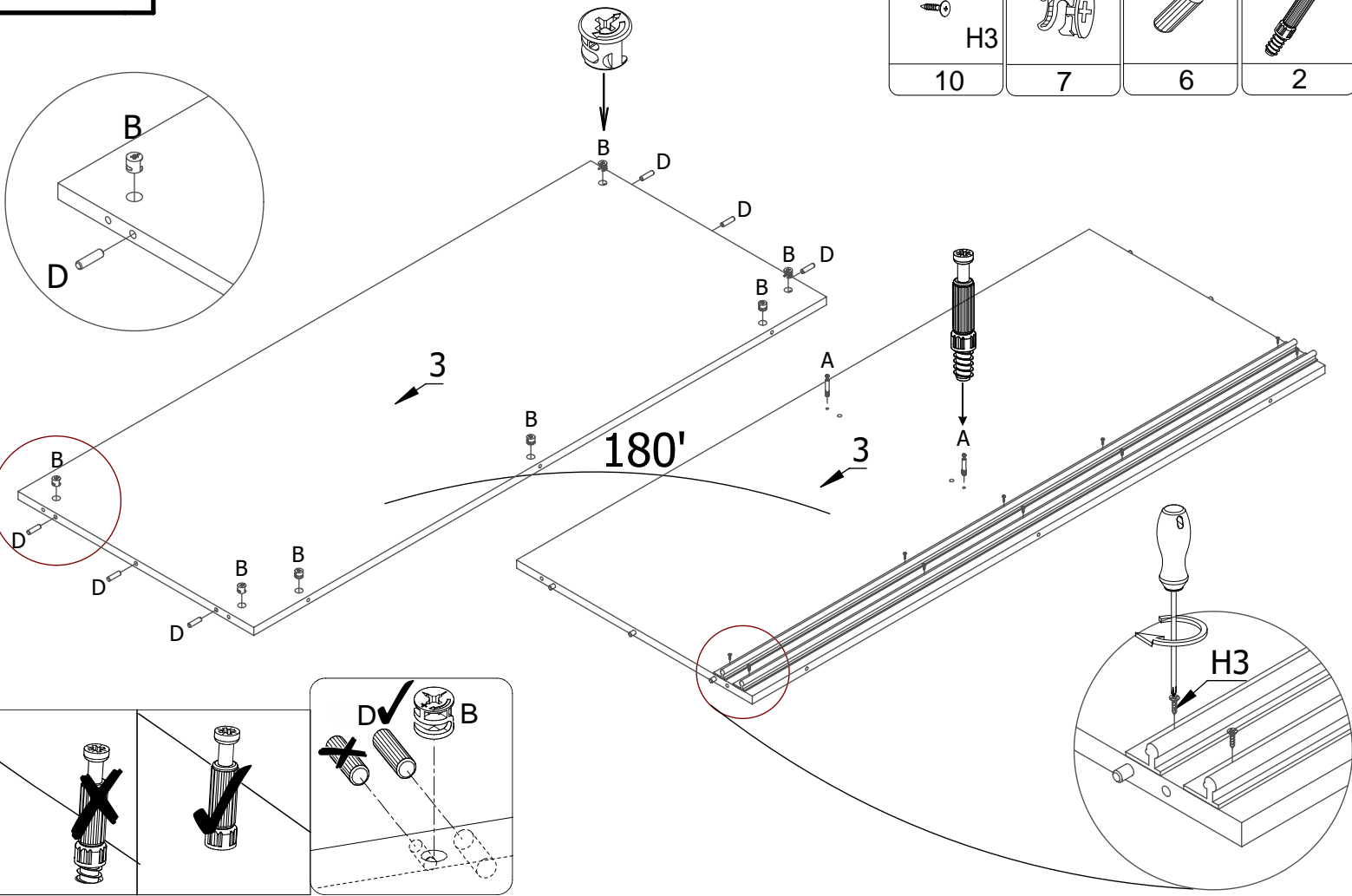


6

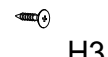
A



2



3.0x13



H3

10

B



4

D

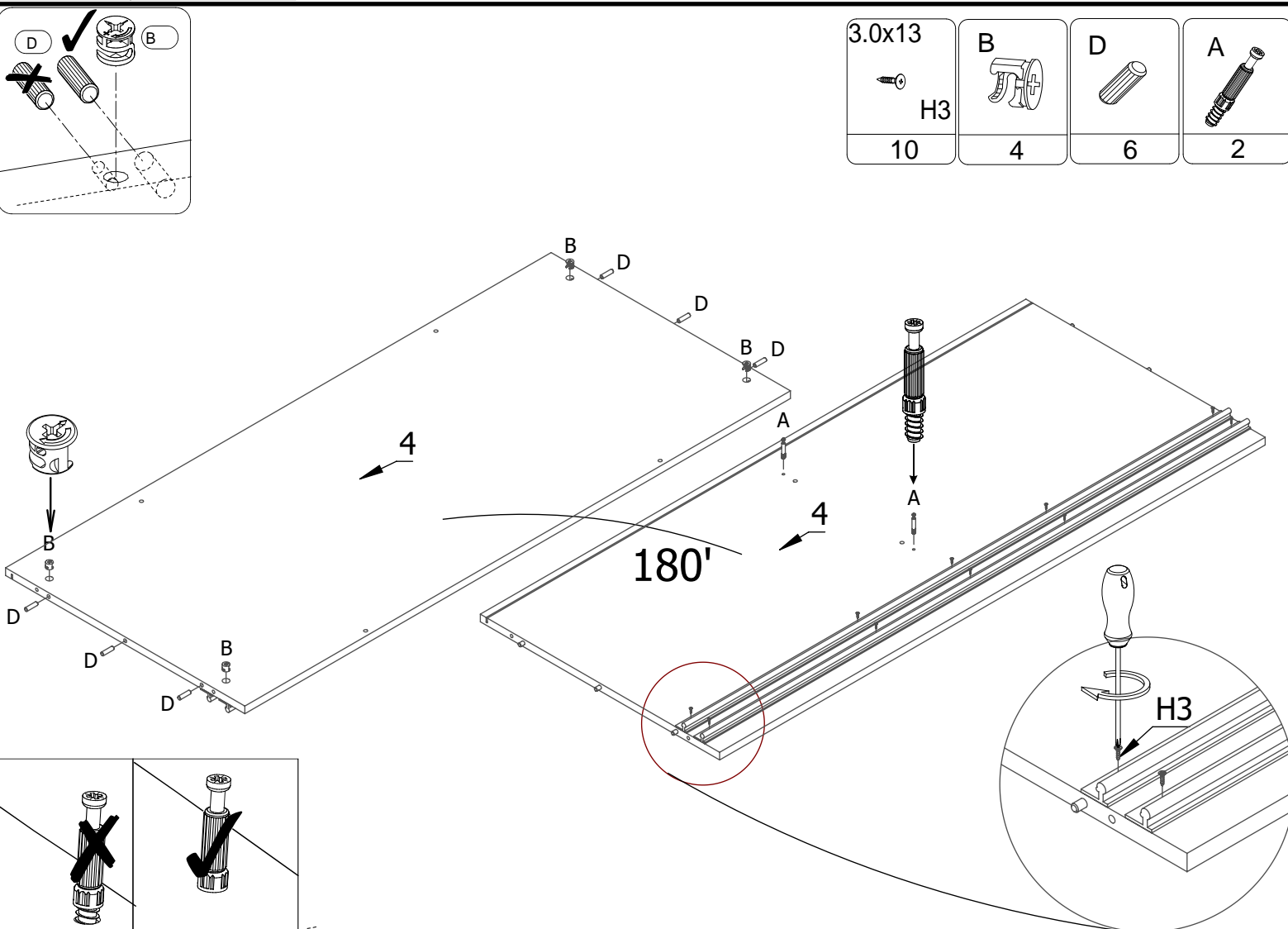






6

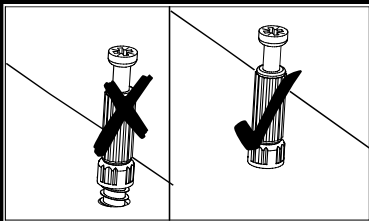
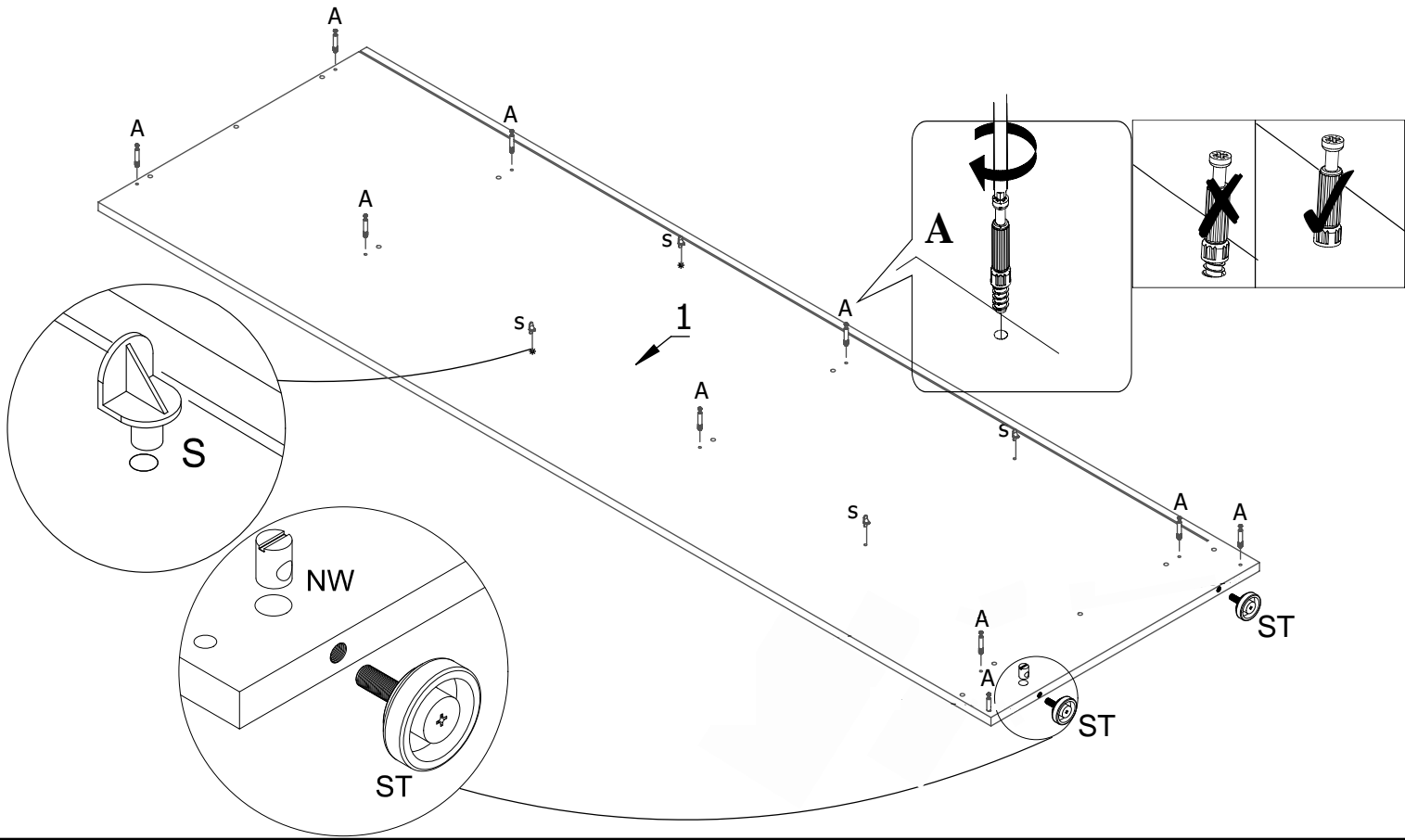
A








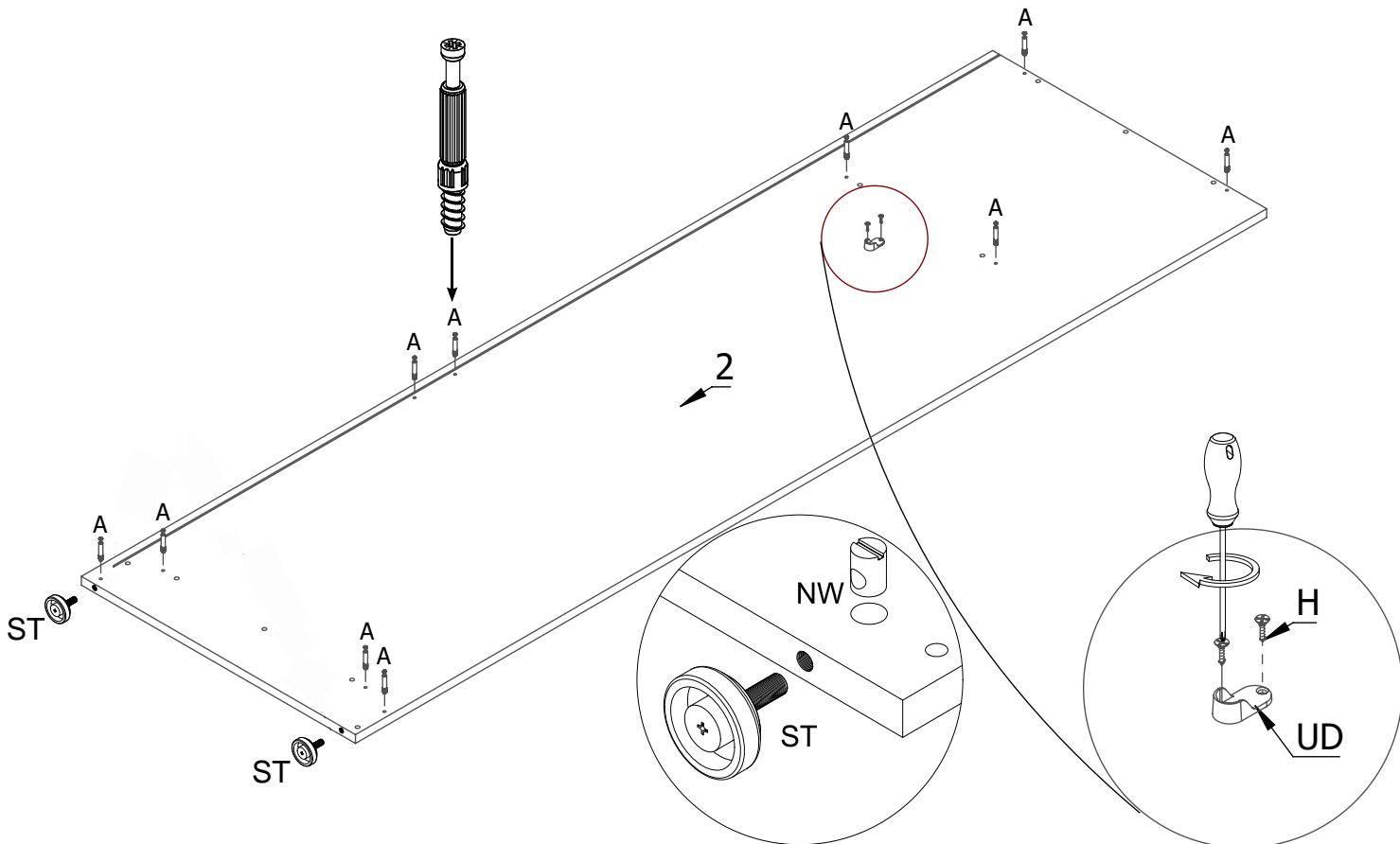
2



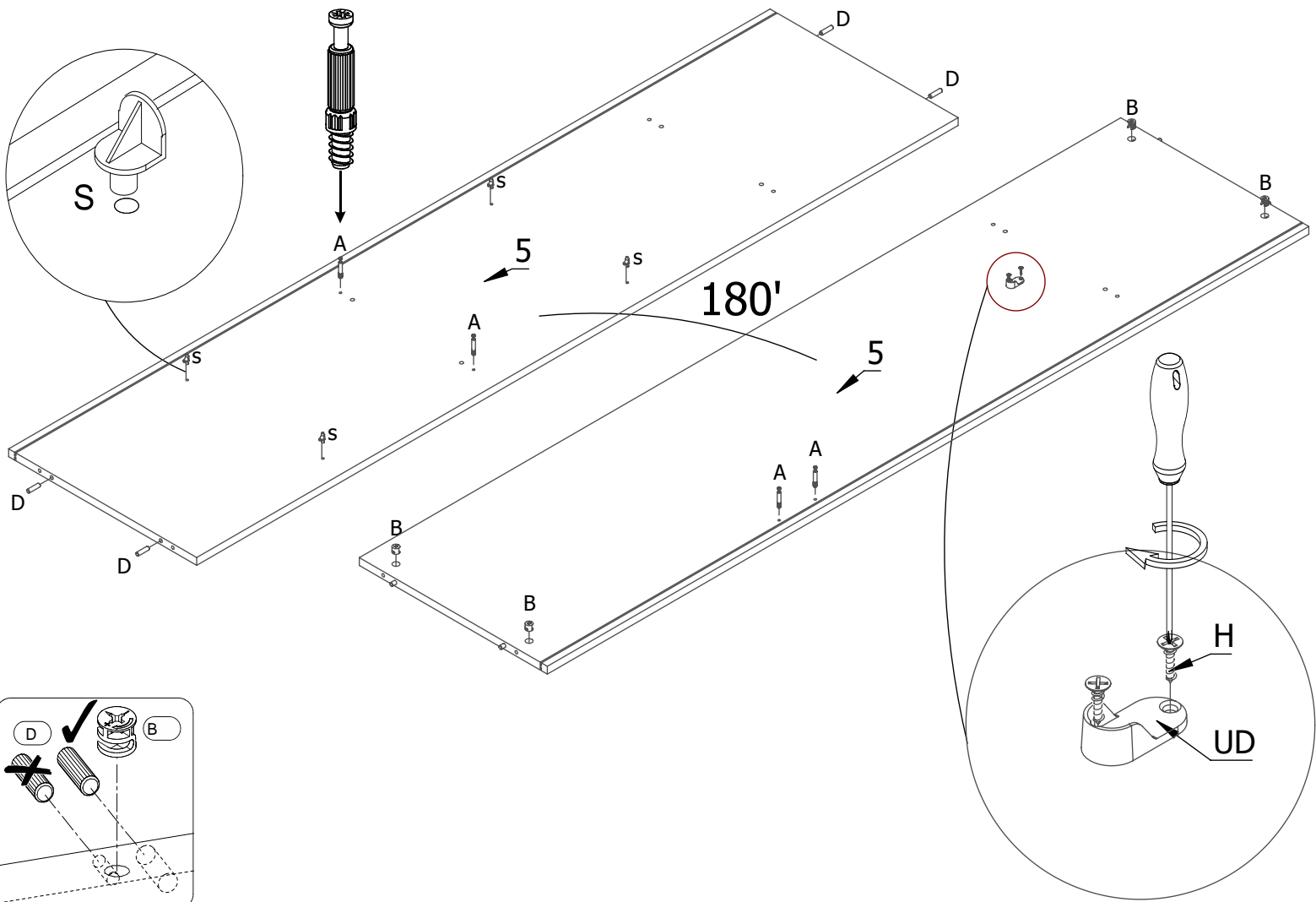
| | | | |
|------------------------------------------------------------------------------------|------------------------------------------------------------------------------------|------------------------------------------------------------------------------------|------------------------------------------------------------------------------------|
|  |  |  |  |
| ST | S | NW | A |
| 2 | 4 | 2 | 10 |



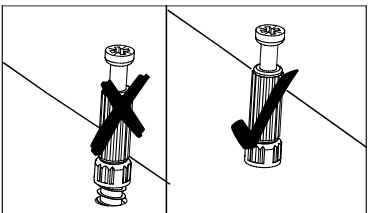
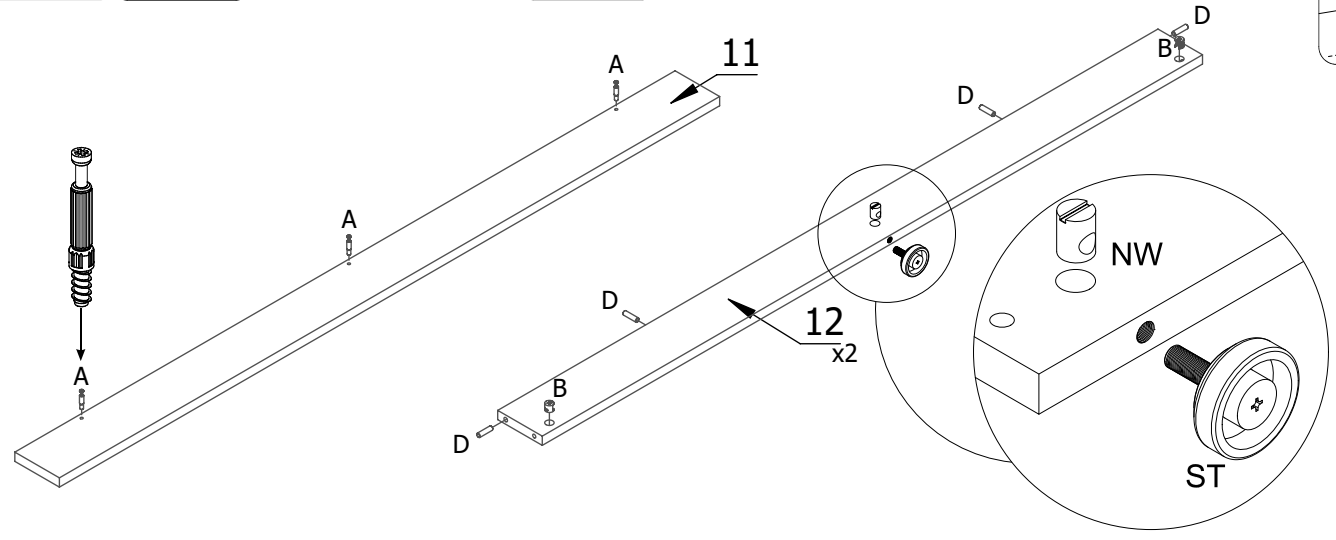
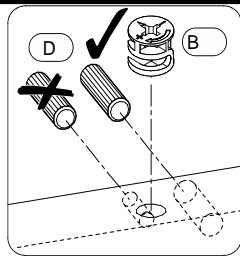
| | | | | |
|--------------------------------------------------------------------------------------|---------------------------------------------------------------------------------------|---------------------------------------------------------------------------------------|---------------------------------------------------------------------------------------|---------------------------------------------------------------------------------------|
|  |  |  |  |  |
| ST | NW | 4x16 H | UD | A |
| 2 | 2 | 2 | 1 | 10 |

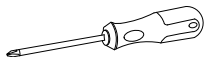


| | | | | | |
|---|---|---|------|----|---|
| S | D | B | 4x16 | UD | A |
| | | | | | |
| 4 | 4 | 4 | 2 | 1 | 4 |

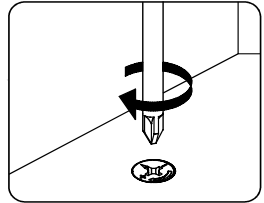
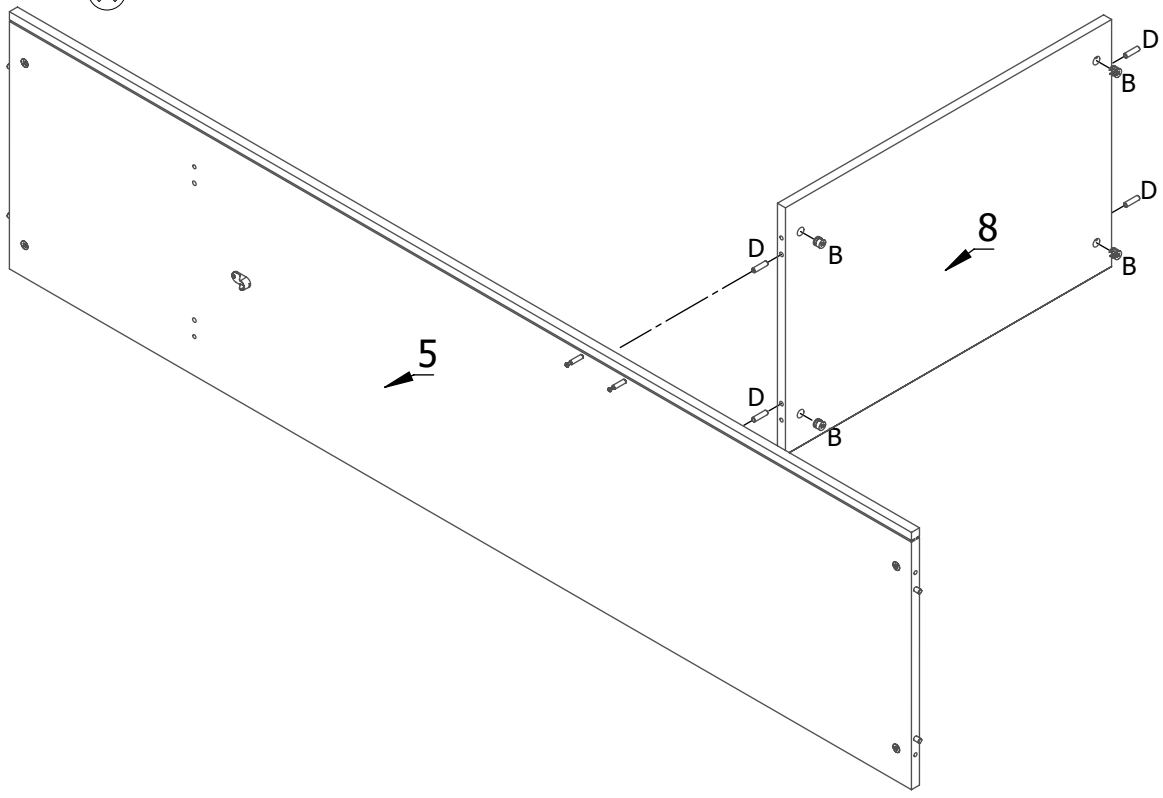


| | | | | |
|----|---|---|---|----|
| | B | D | A | NW |
| ST | | | | |
| 2 | 4 | 8 | 3 | 2 |

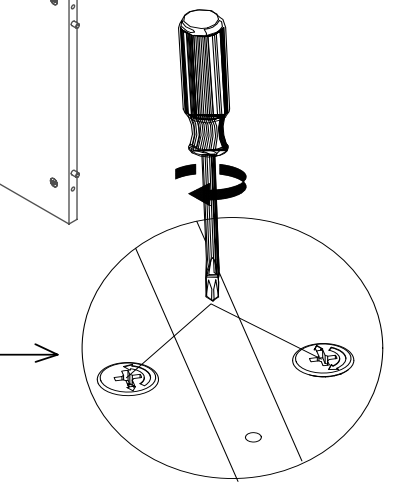
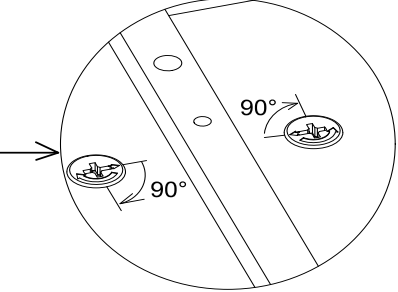
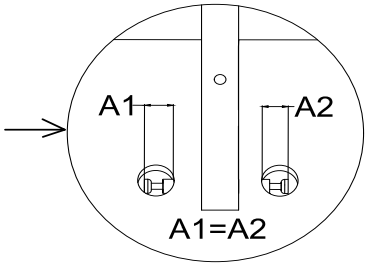
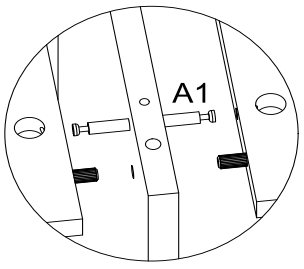
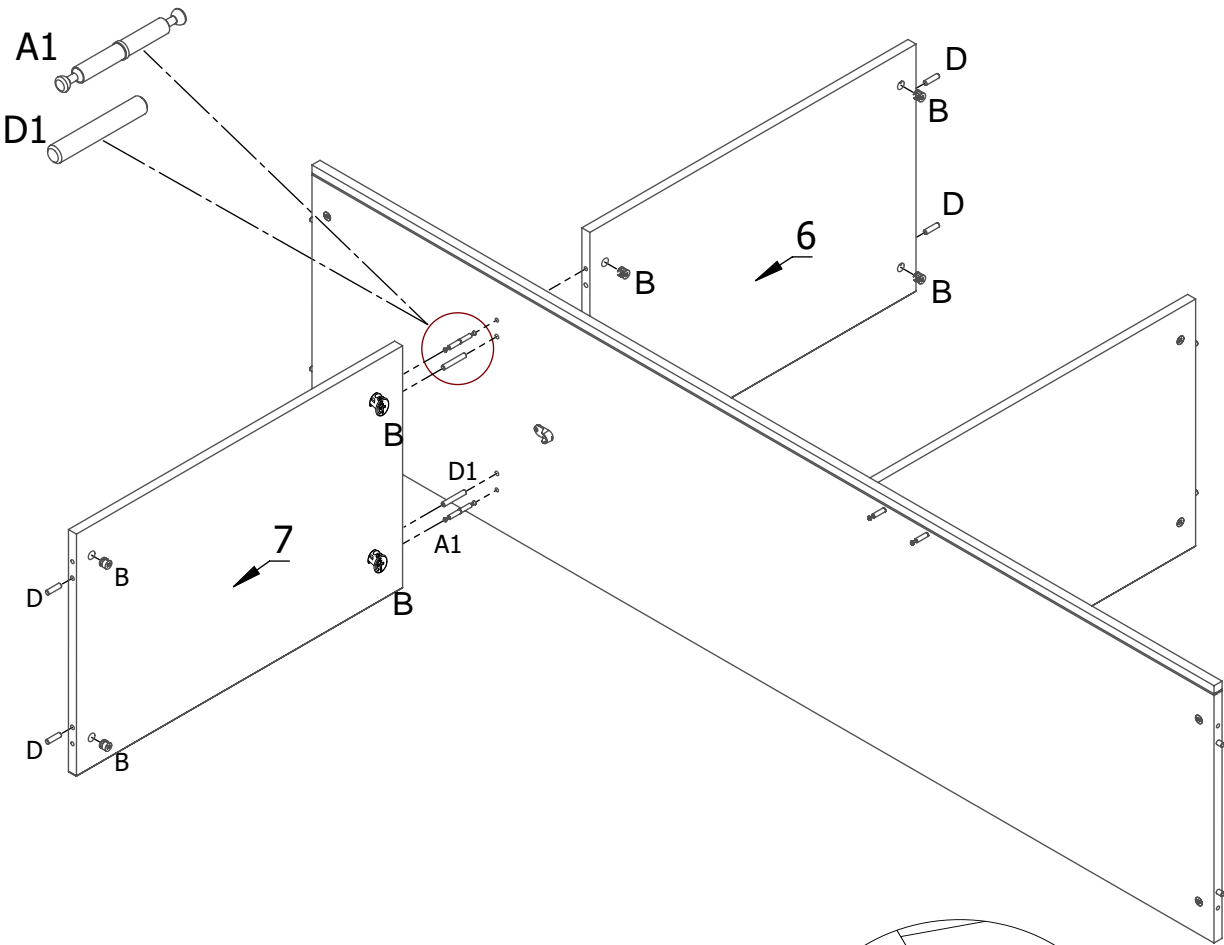


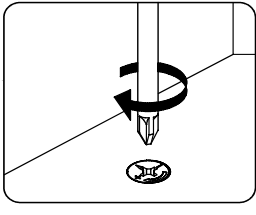
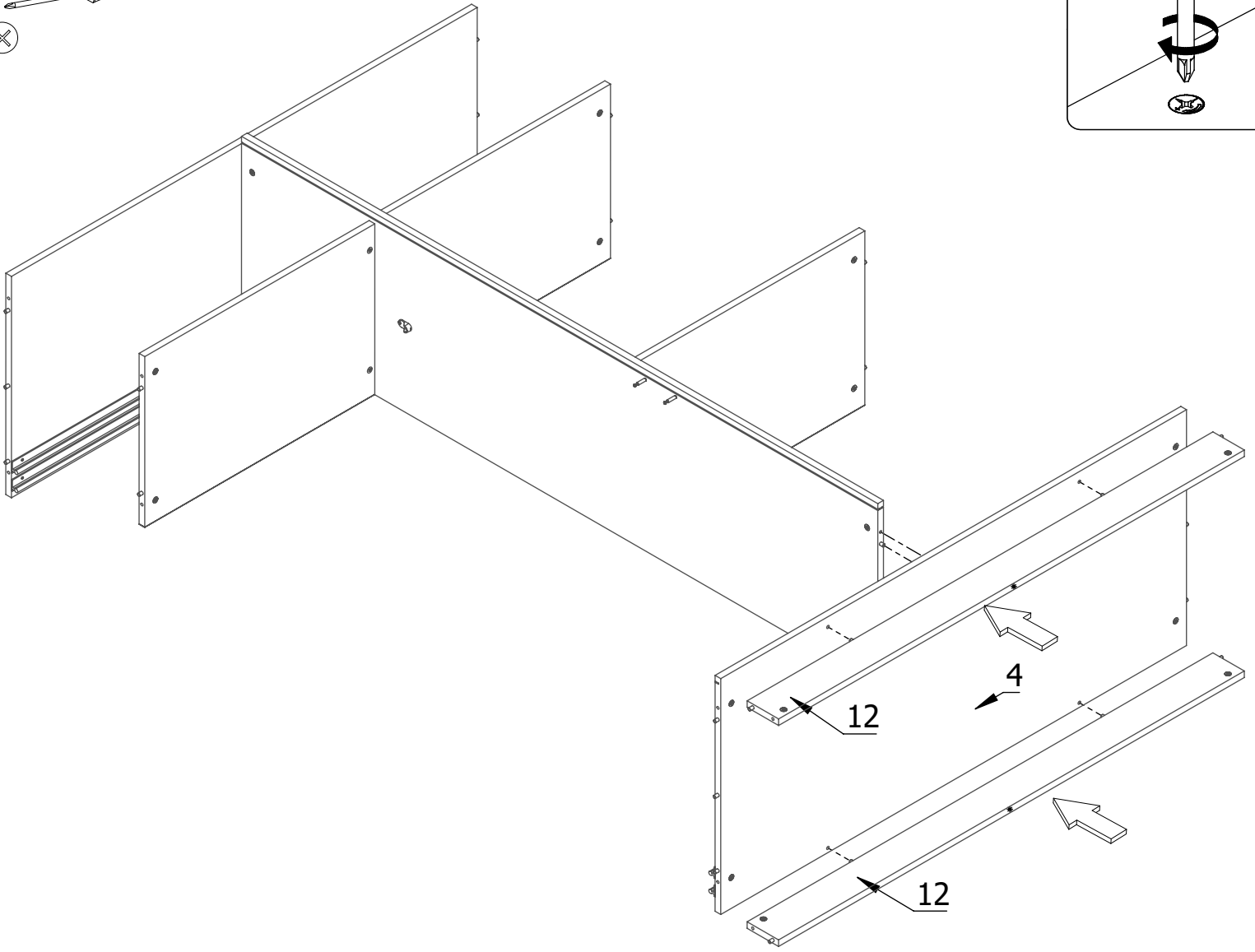
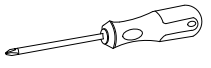
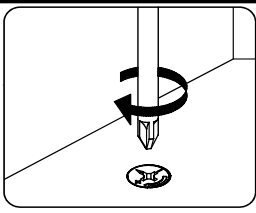
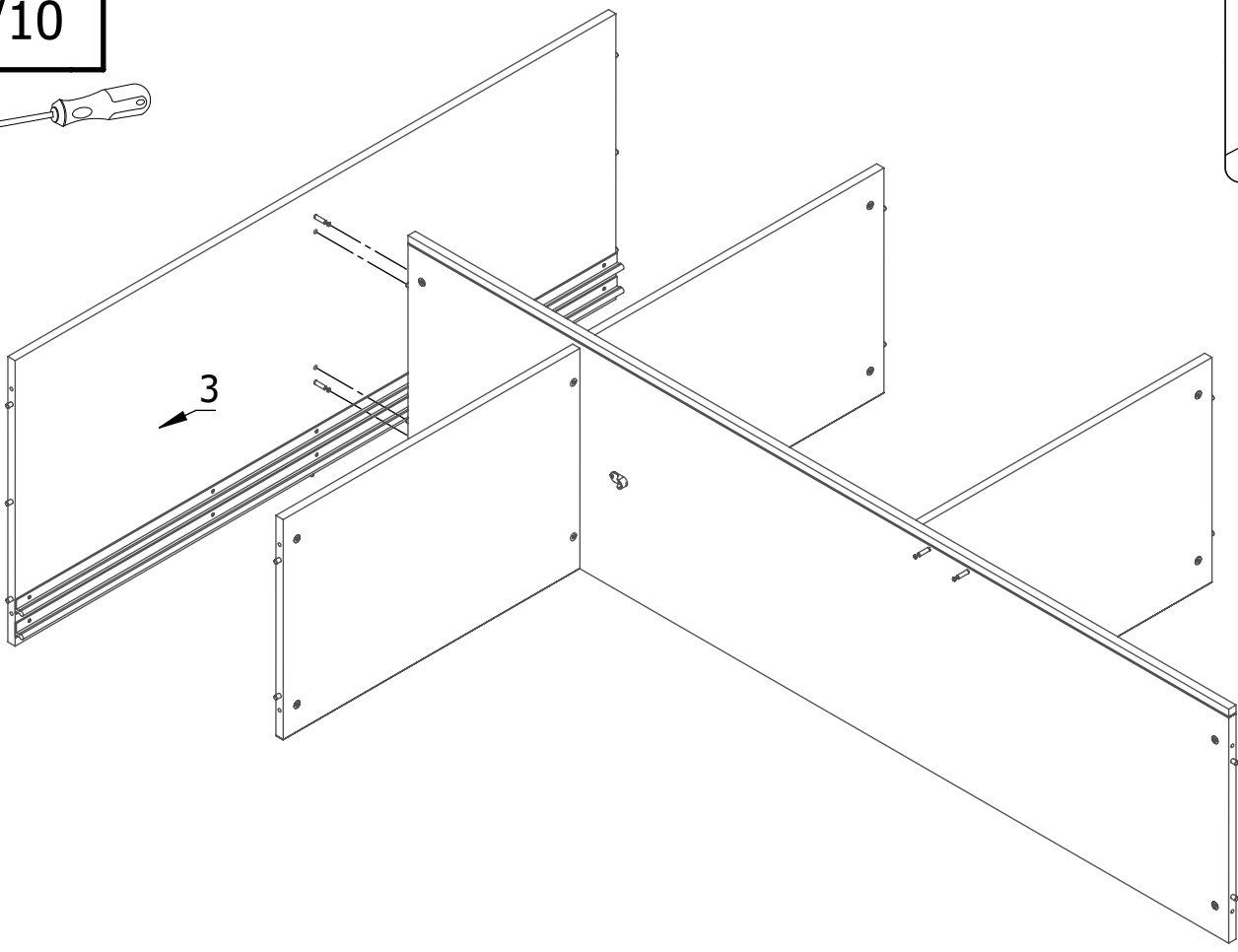
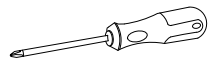


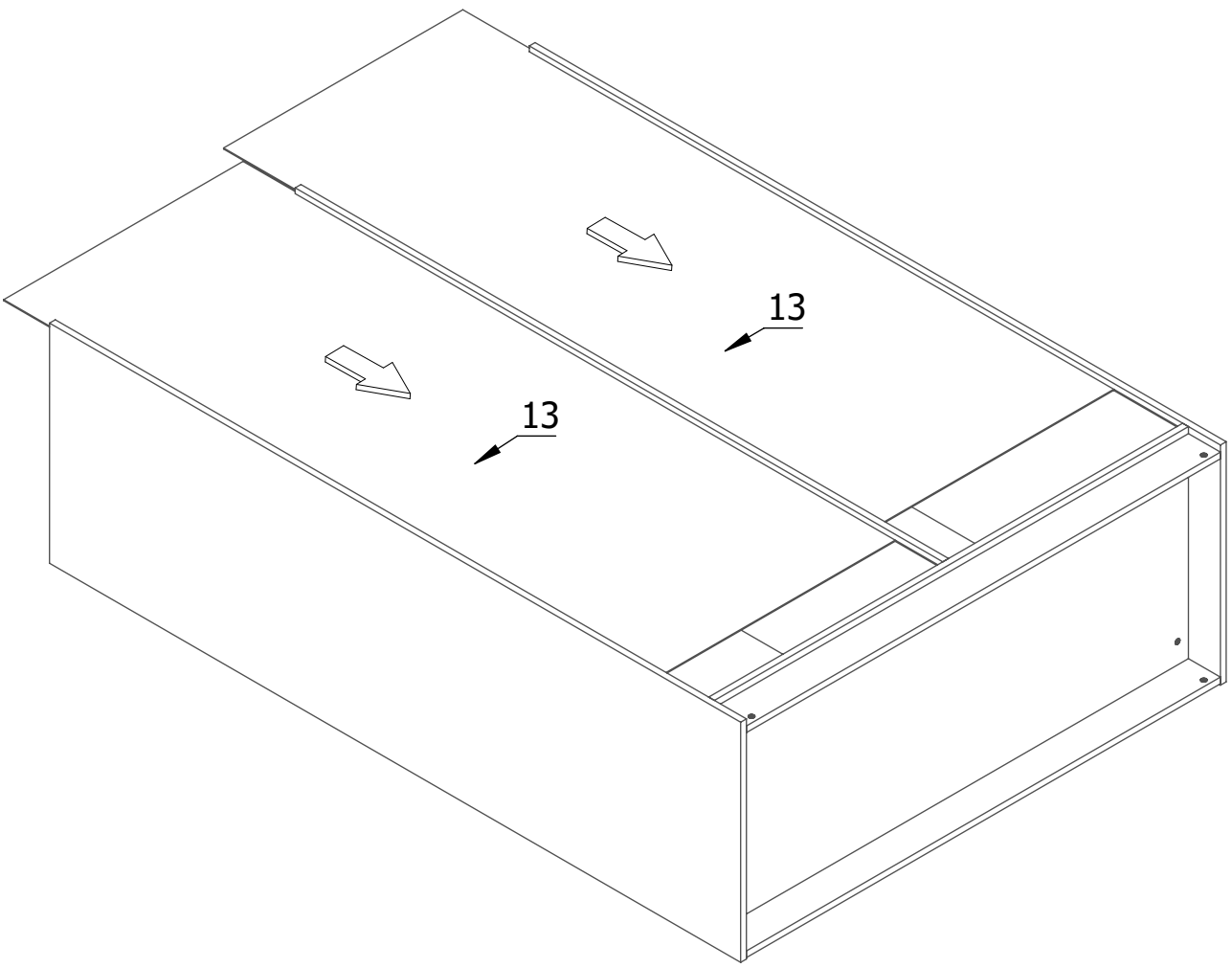
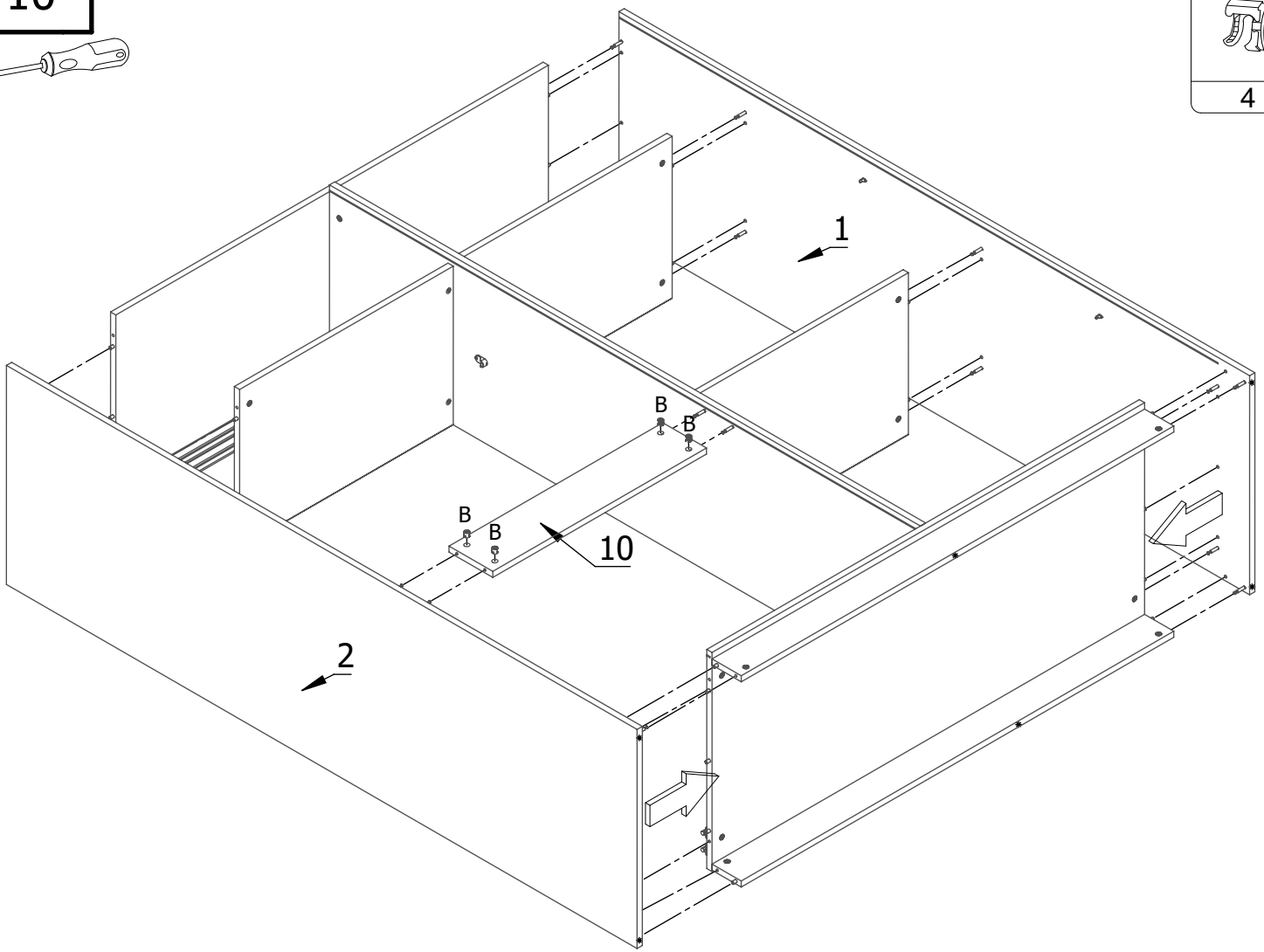
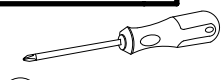
| | |
|---|---|
| B | D |
| | |
| 4 | 4 |

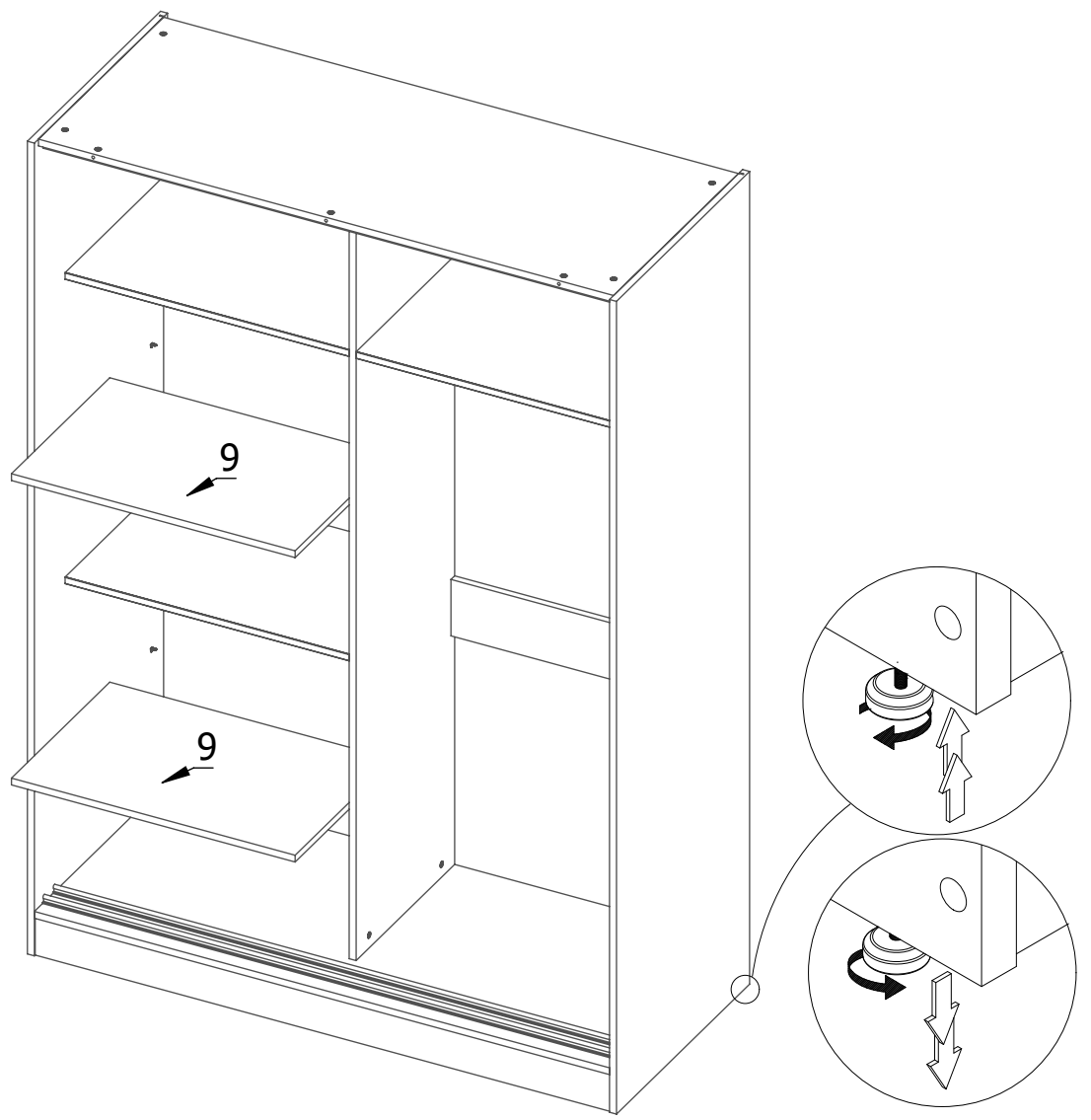
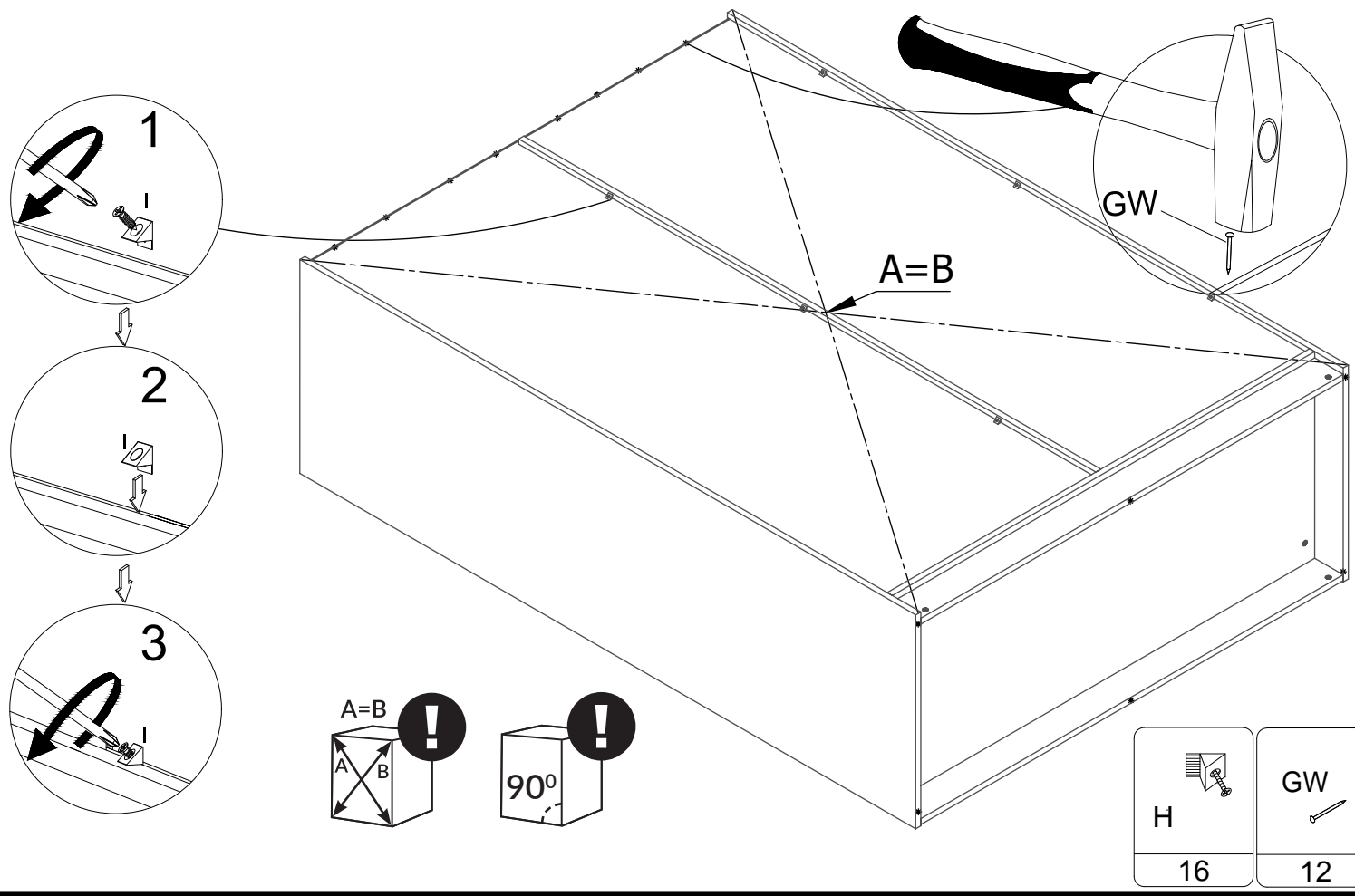


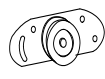

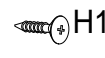

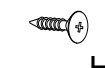
| | |
|------|----|
| B | D |
| | |
| 8 | 4 |
| 8X45 | A1 |
| | |
| 2 | 2 |

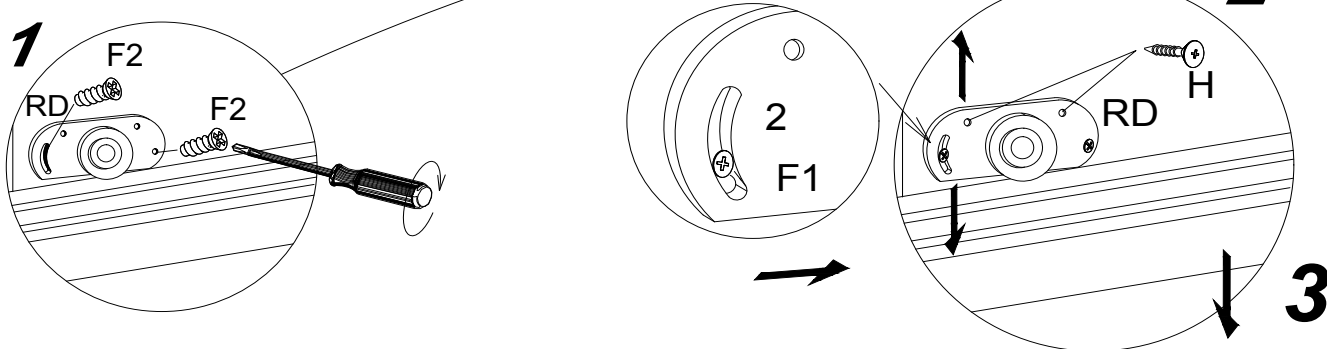
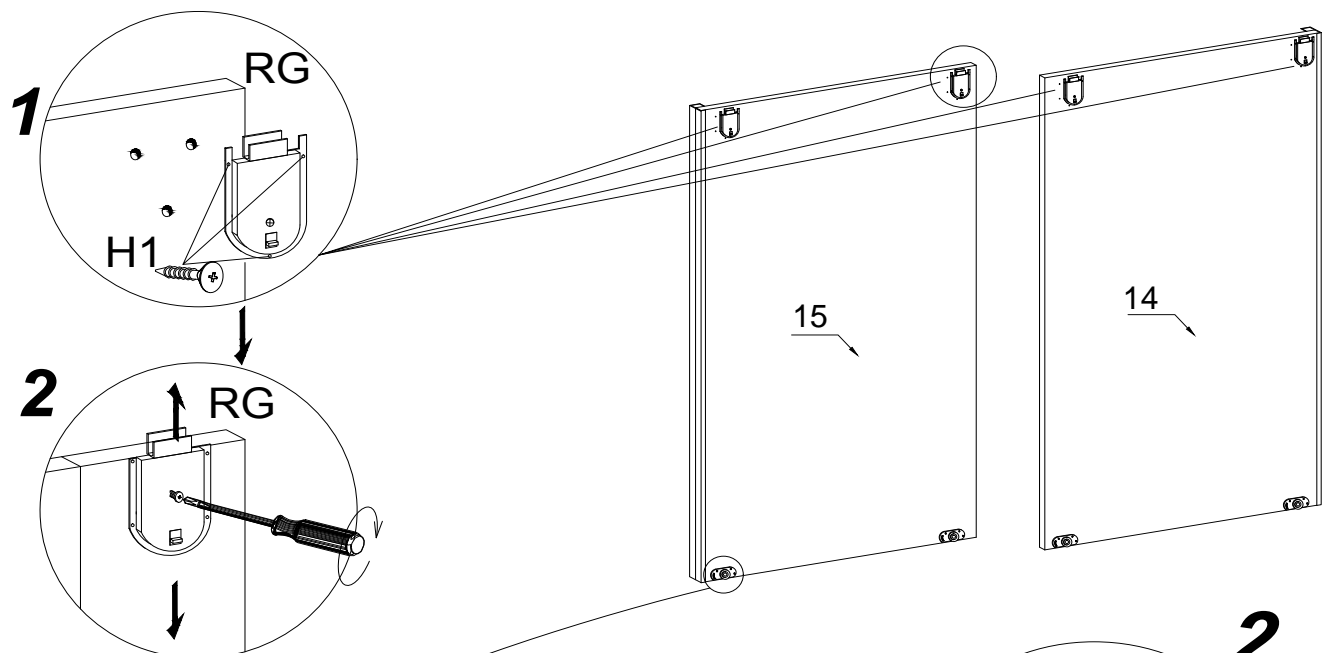








| | | |
|--------|-------------------------------------------------------------------------------------|----|
| RD |  | 4 |
| RG |  | 4 |
| 3.5x16 |  | 12 |
| 6,3x13 |  | 8 |
| 4x16 |  | 8 |



**PO WYREGULOWANIU
DRZWI WKRĘCIĆ
WKRĘT H**

