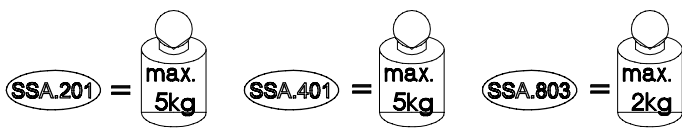
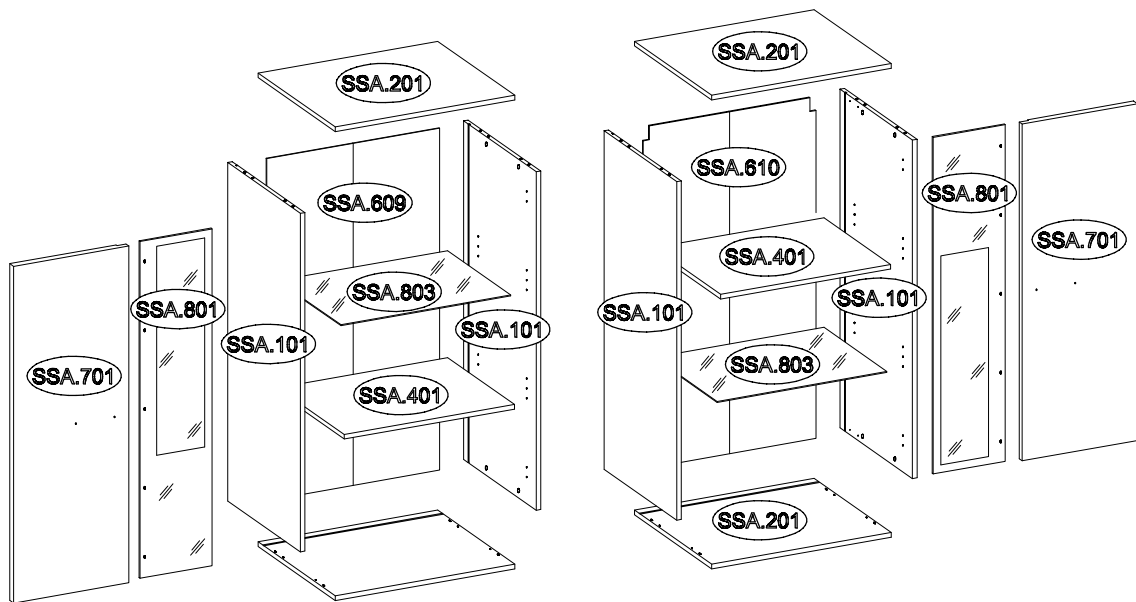
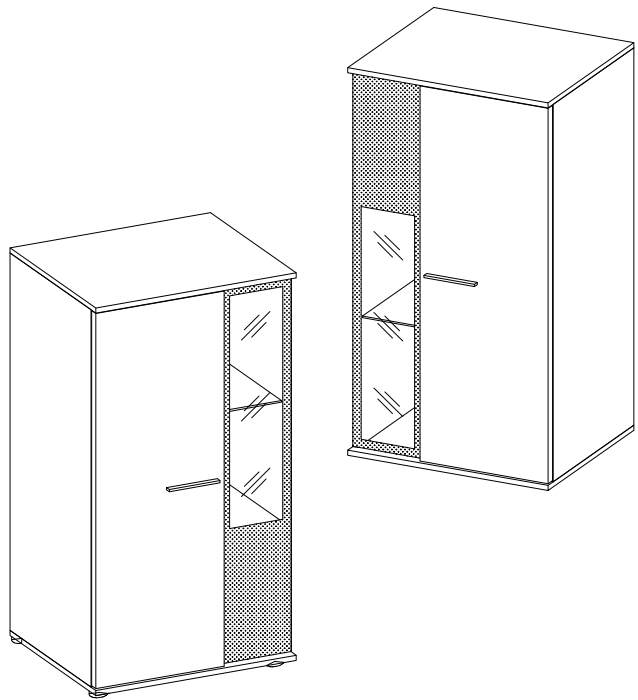


SALSA

Typ 031



1B	L=128mm	+4.0x30mm		2B	H=0	+35/0mm	+3.5x13mm	J5			
			S11		R2					H	G
	2	4			6	6	12	4			
3B	+15/12mm	+8x30mm	L=20mm	+4.0x25mm				+4.0x12mm	0,05		
					F10	J7	J15	R5	O11	L	
	24	16	24	4	4	10	10	10	1	12	
+3.0x20mm				+5/16mm		+4.0x30mm	+3.5x13mm		+10x50mm	+5.0x60mm	
	P7	L2	E	J12	K	P8	P5	L9	O7	P12	K16
	8	8	24	8	2	4	1	1	5	4	2

1

x2

SSA.701

SSA.801

x2

FARBE

1h

H-0 H 6	±35/0mm G 6	±3.5x13mm P5 6
J7 10	J15 10	±4.0x12mm R5 10
		O1 1

Diagram details: Shows two panels, SSA.701 and SSA.801, being prepared. Brackets (G) are attached to the top edge of SSA.701 using screws (P5) and fasteners (H). Brackets (A and B) are attached to the top edge of SSA.801. Screws (J15) are used to secure the panels to a surface. A clock icon indicates a 1-hour preparation time. A warning icon shows that a spray gun should not be used on the panels. A person icon with 'L' indicates a warning about the product's use.

2

SSA.201

SSA.201

SSA.401

SSA.201

40mm

40mm

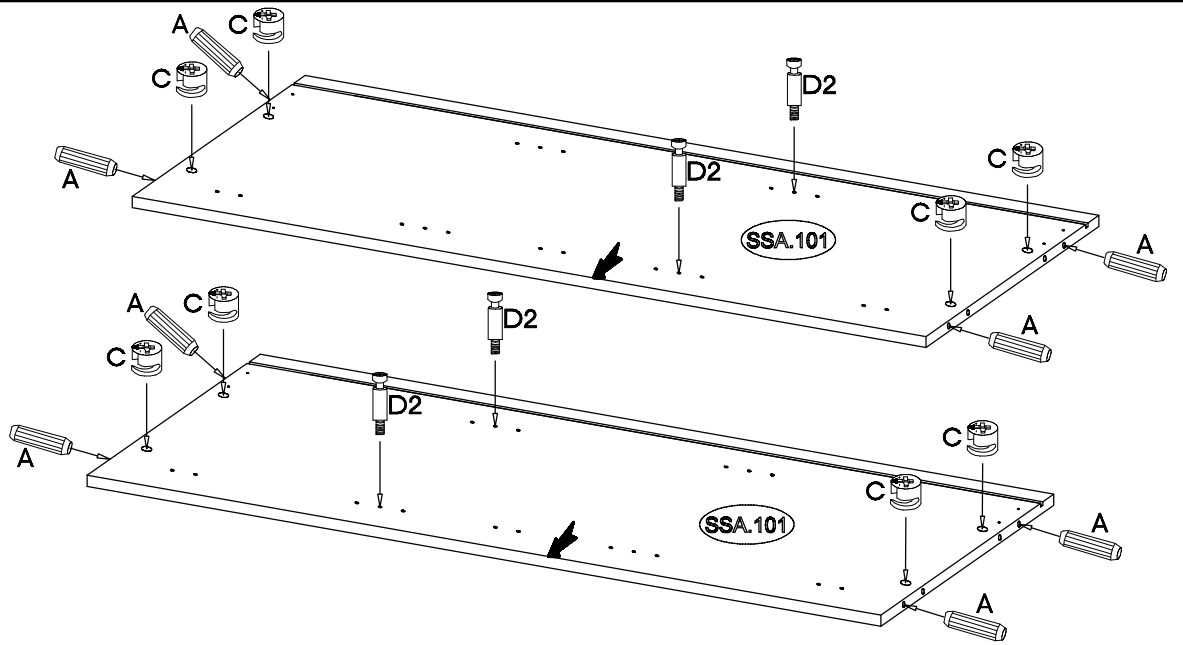
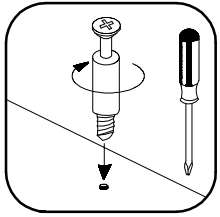
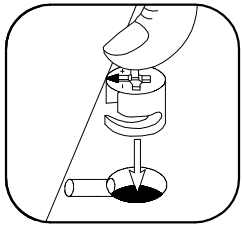
40mm

40mm

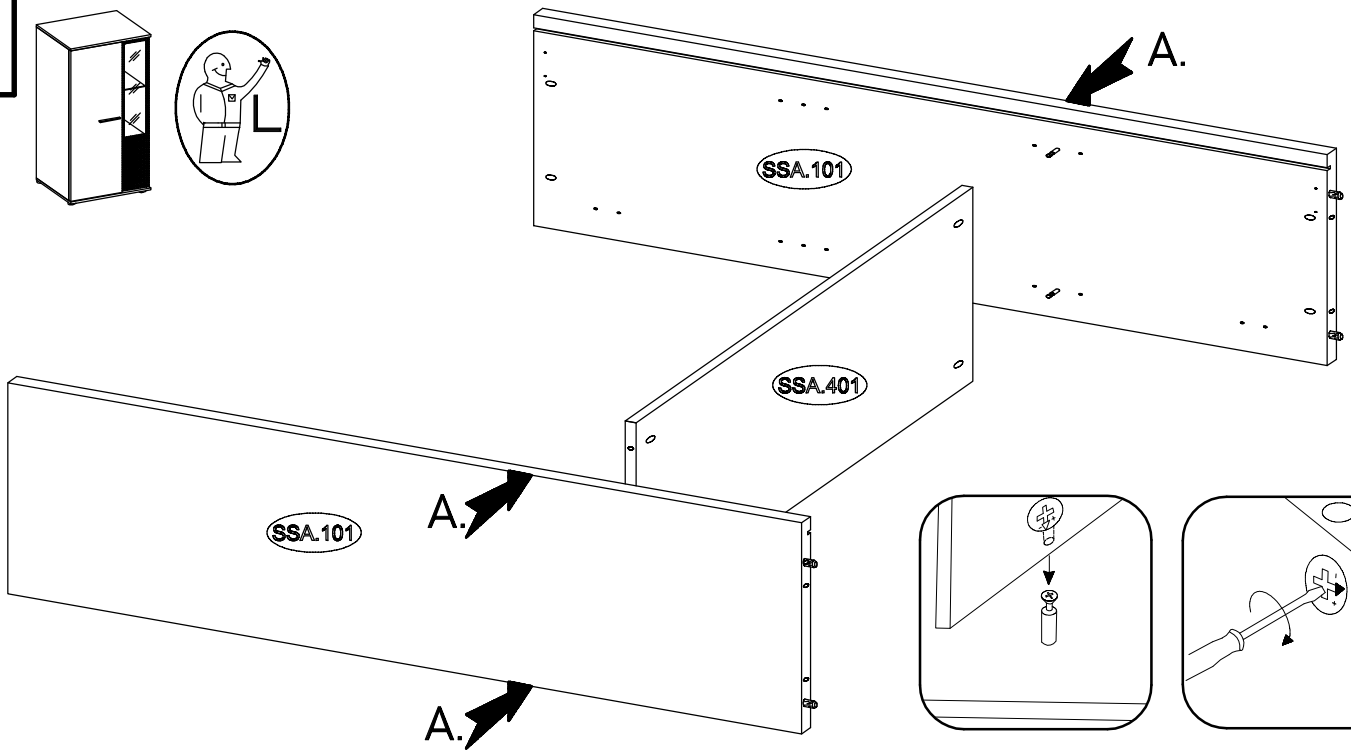
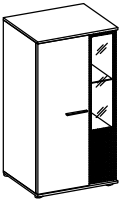
40mm

±15/12mm C 12	±8x30mm A 8	L=20mm D2 12	±4.0x25mm P14 4	F10 4
---------------------	-------------------	--------------------	-----------------------	----------

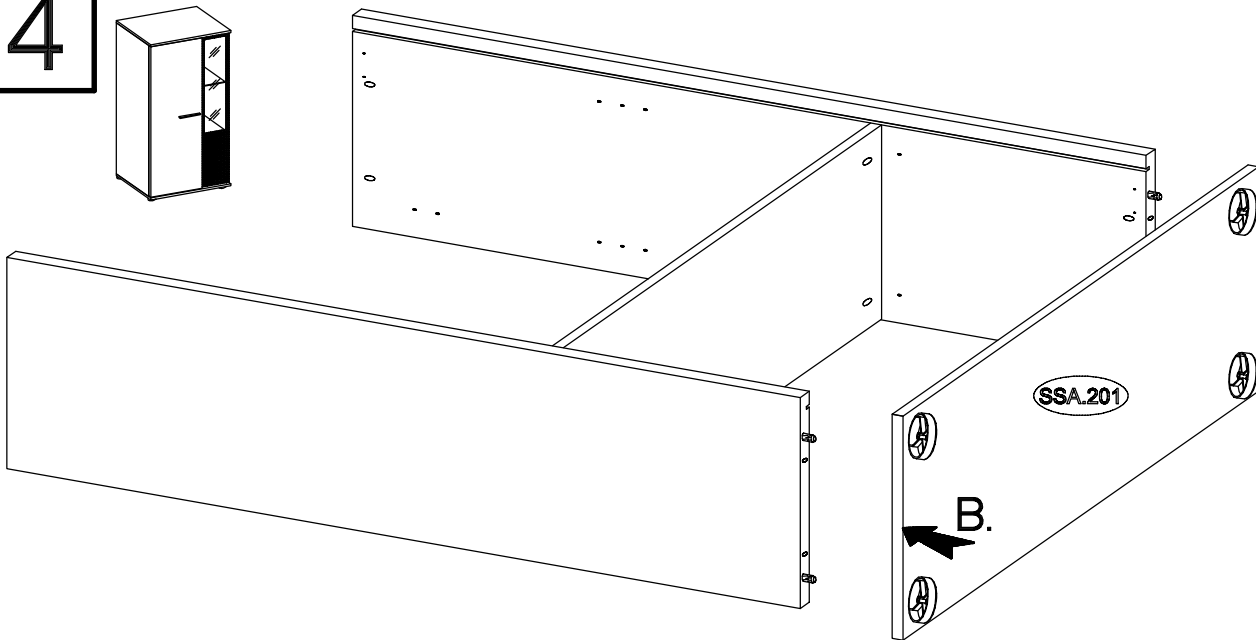
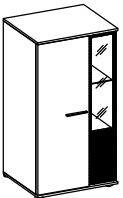
Diagram details: Shows three panels, SSA.201, SSA.401, and SSA.201, being assembled. Fasteners (D2) are used to secure the panels to a surface. Screws (F10) are used to secure the panels to a surface. Screws (C) are used to secure the panels to a surface. Screws (A) are used to secure the panels to a surface. Screws (P14) are used to secure the panels to a surface. A diagram shows the placement of fasteners (F10) on the top edge of the panels, with a 40mm spacing between them. A person icon with 'L' indicates a warning about the product's use. A diagram shows a hand using a screwdriver to install a fastener (D2) into a panel.



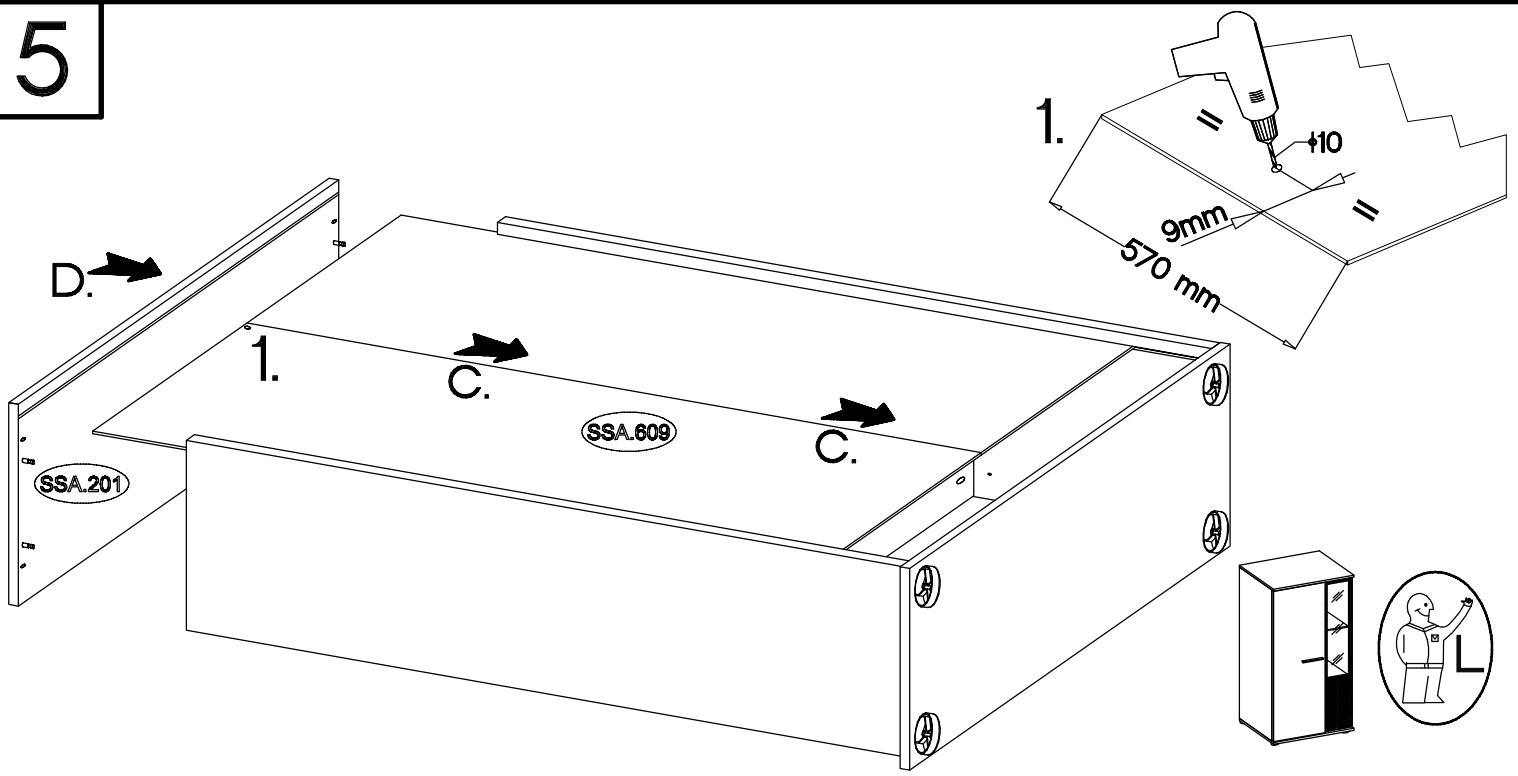
3



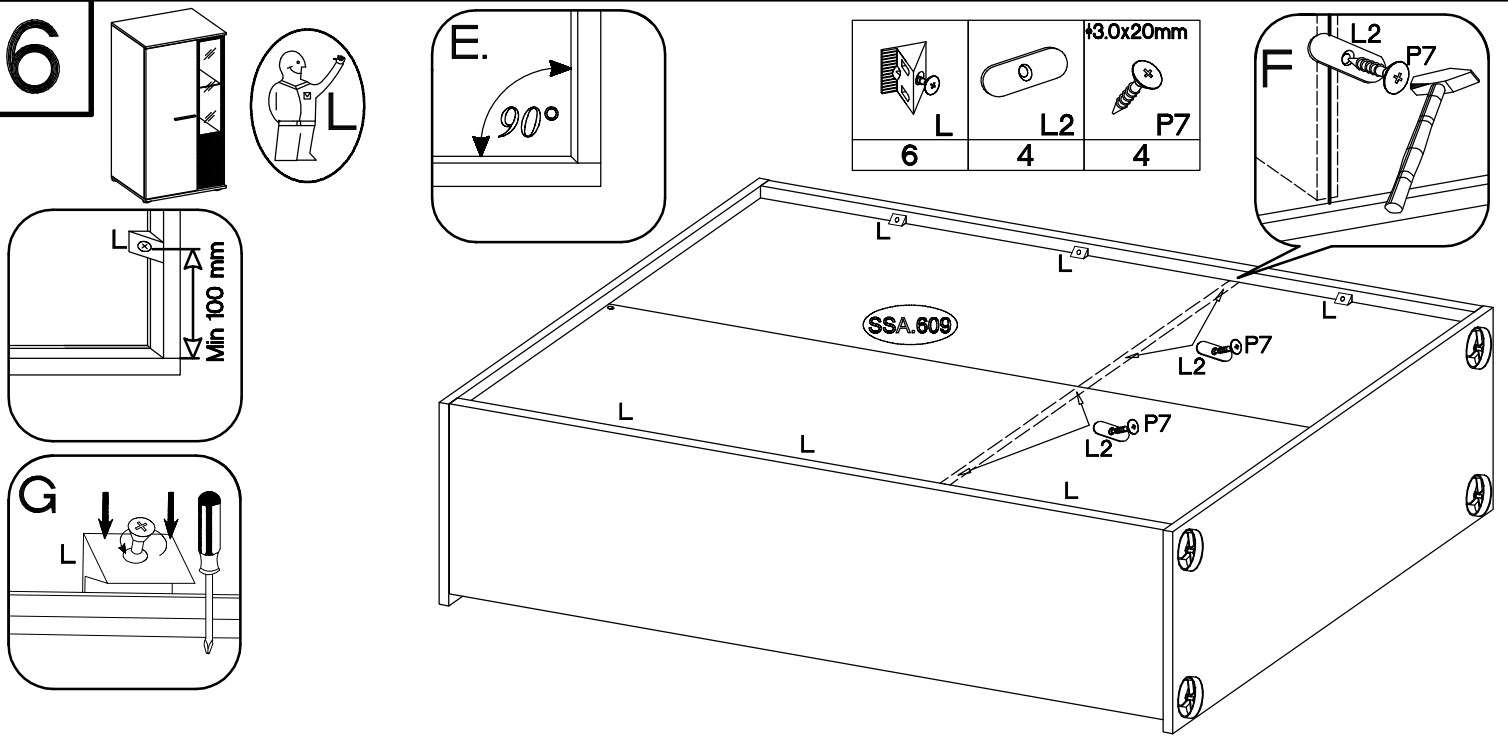
4



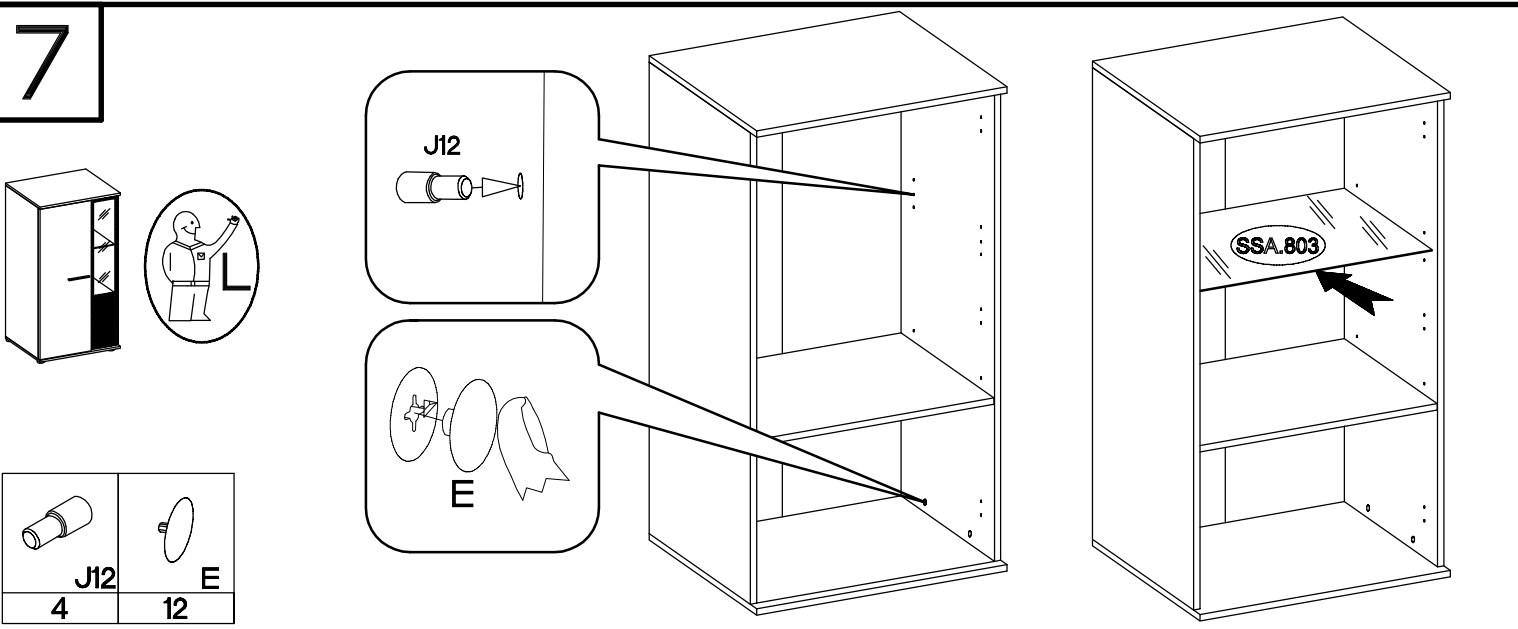
5



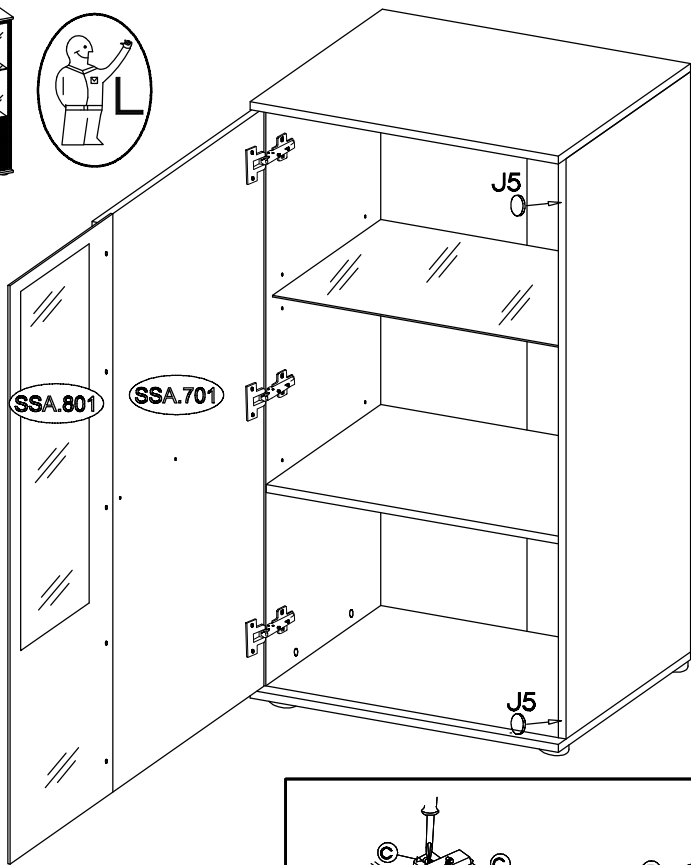
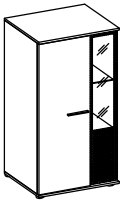
6



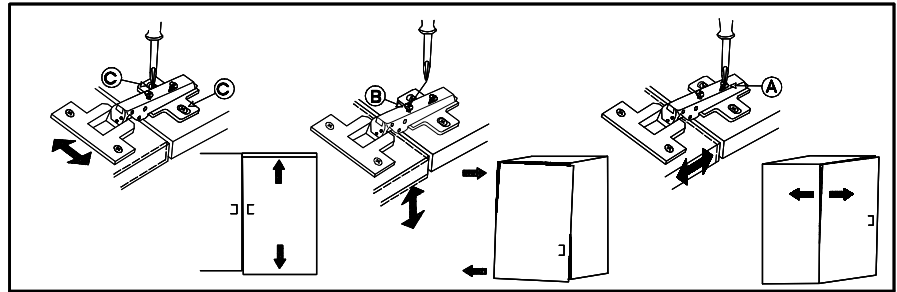
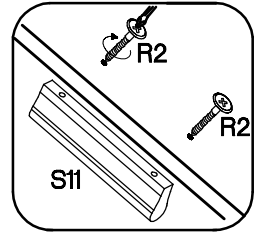
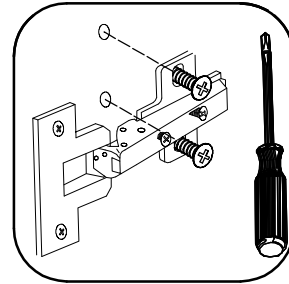
7



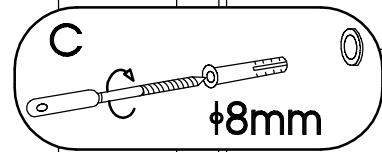
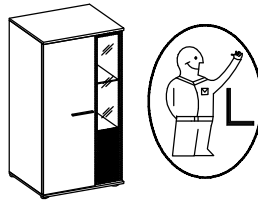
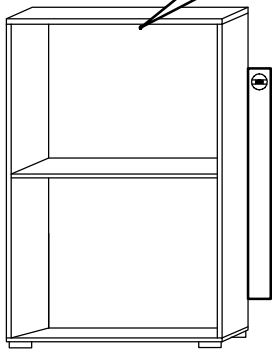
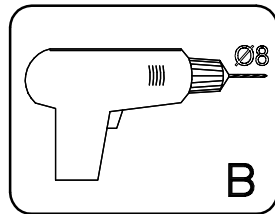
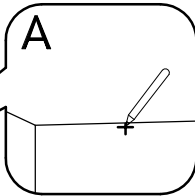
8



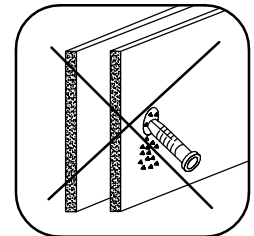
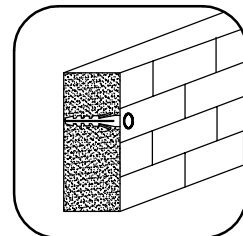
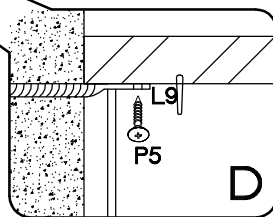
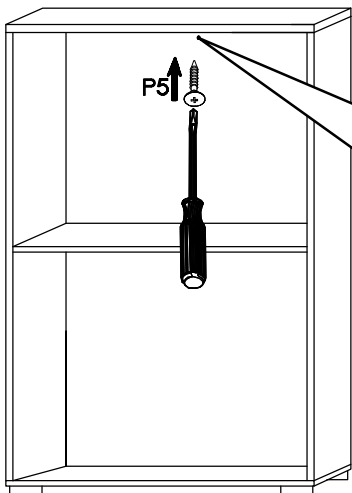
	$\phi 4.0 \times 30 \text{mm}$	L=128mm
J5		R2
2	2	1
		S11



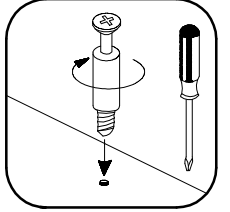
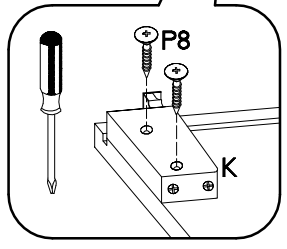
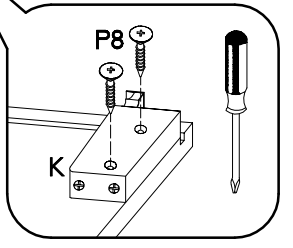
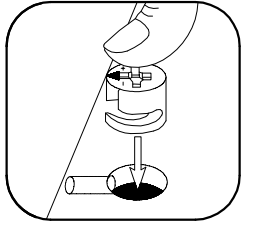
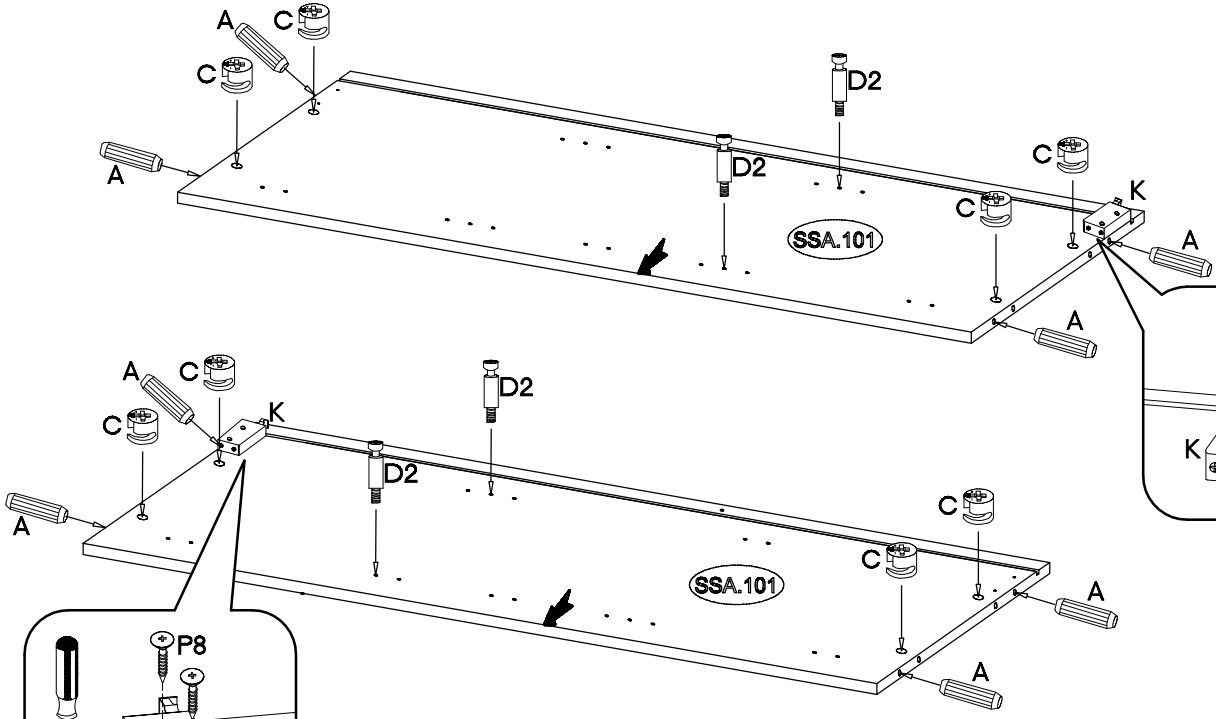
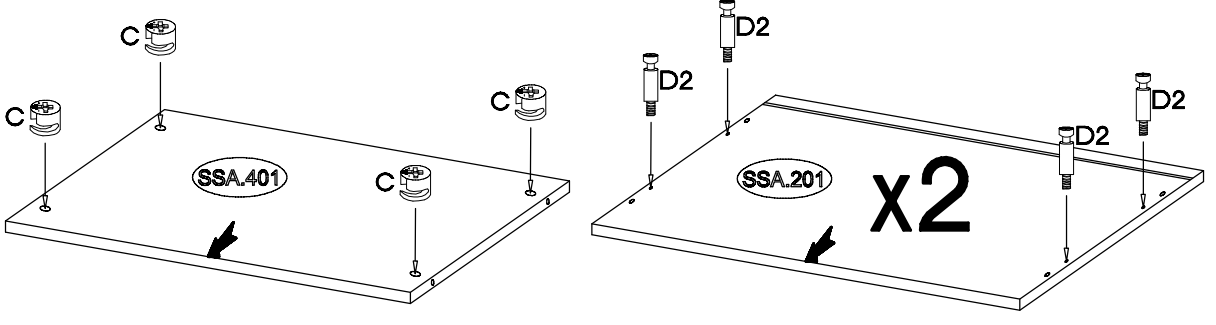
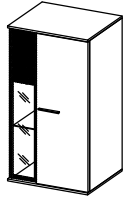
9



	$\phi 3.5 \times 13 \text{mm}$	$\phi 10 \times 50 \text{mm}$
L9	P5	O7
1	1	1

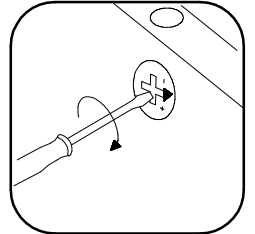
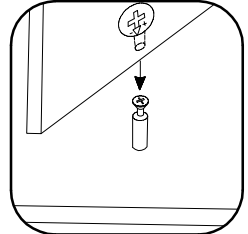
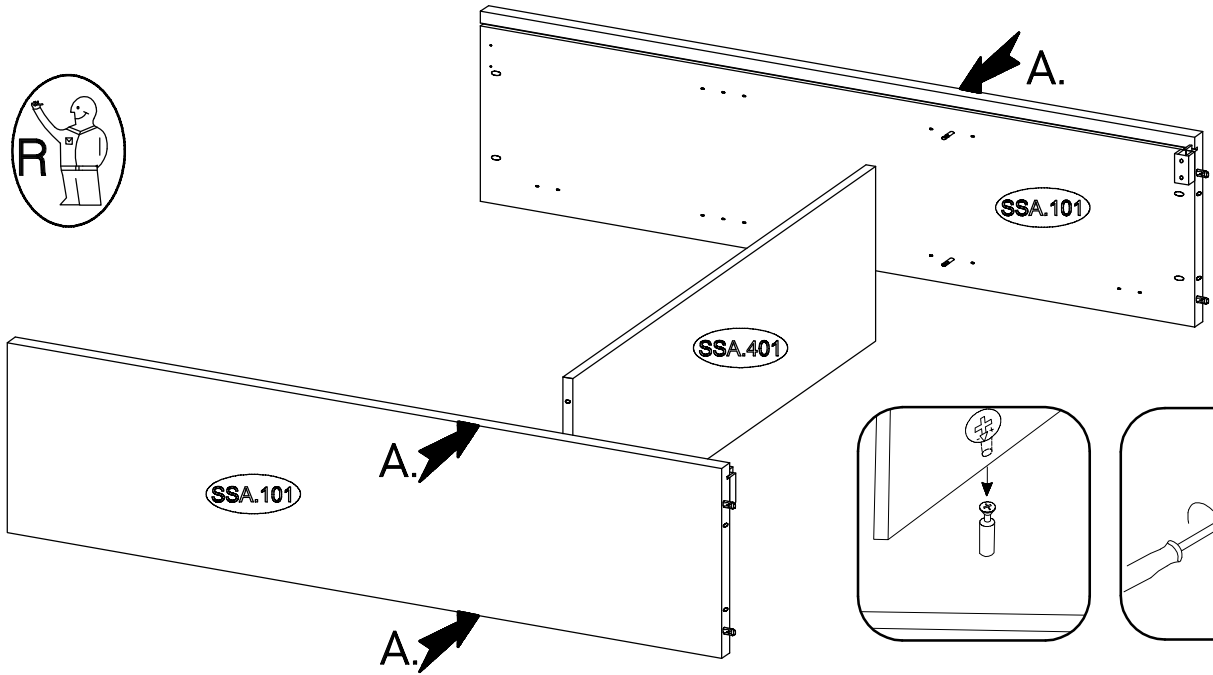
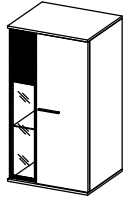


10

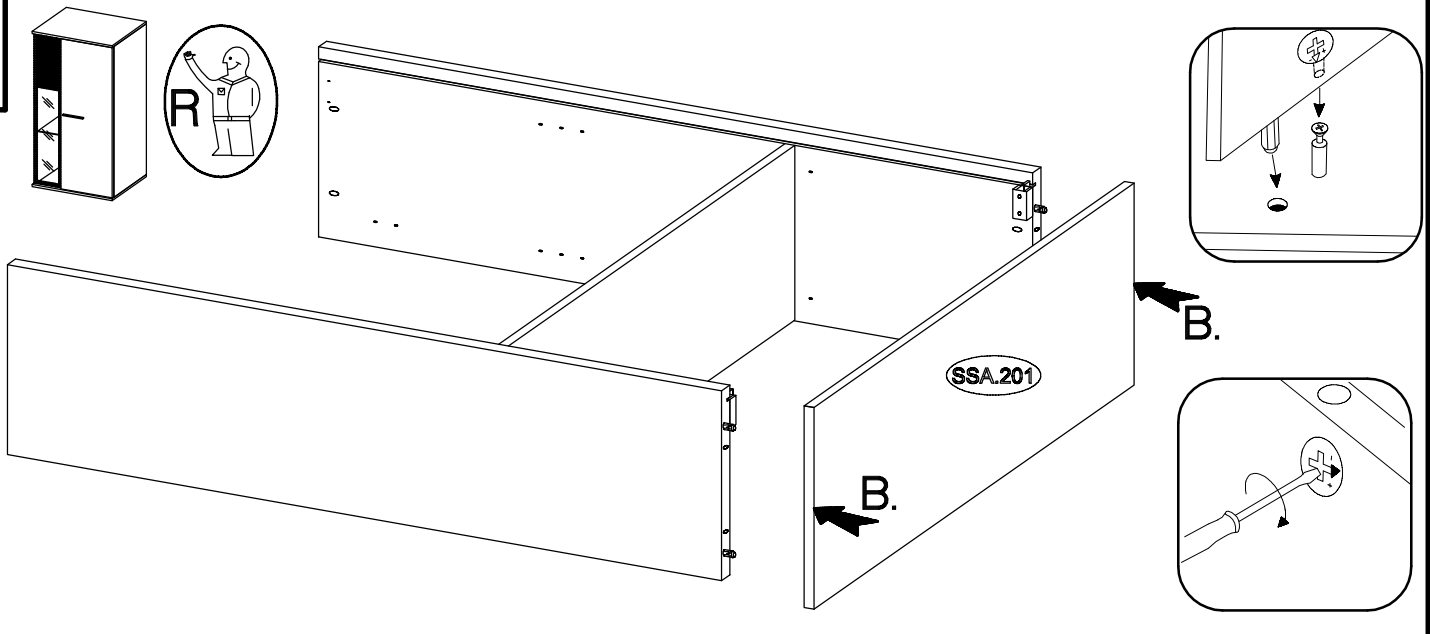


 C	 A	 D2	 K	 P8
12	8	12	2	4

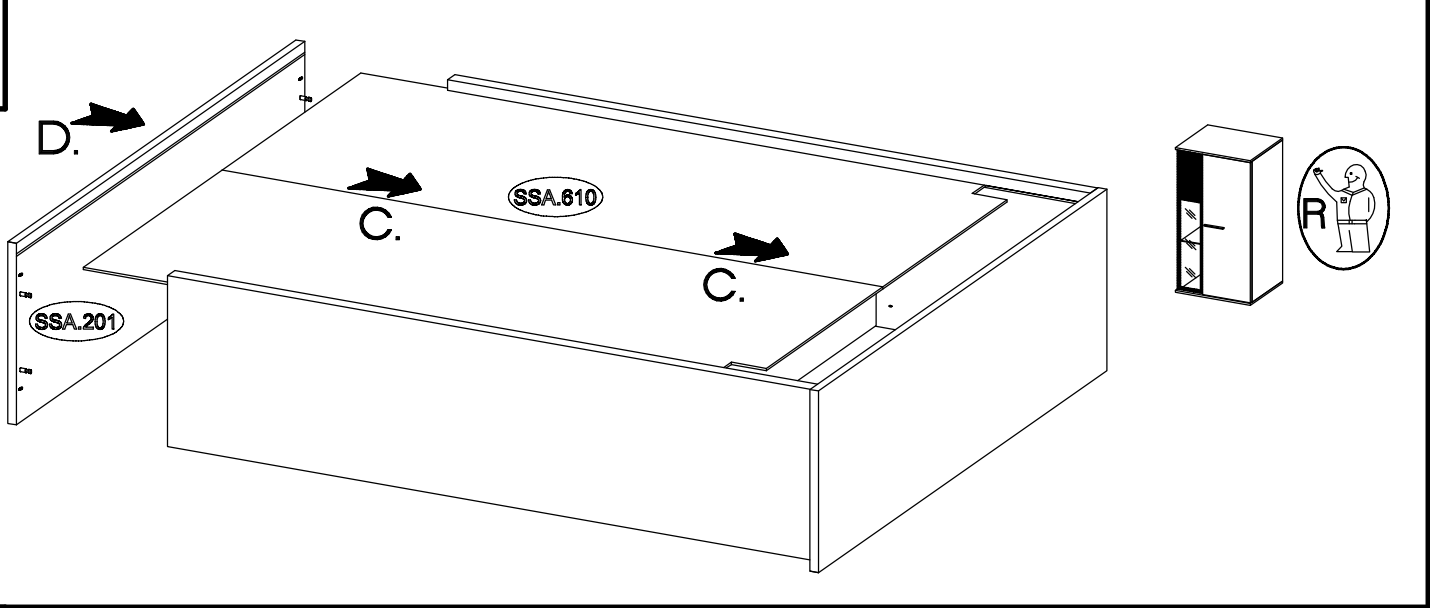
11



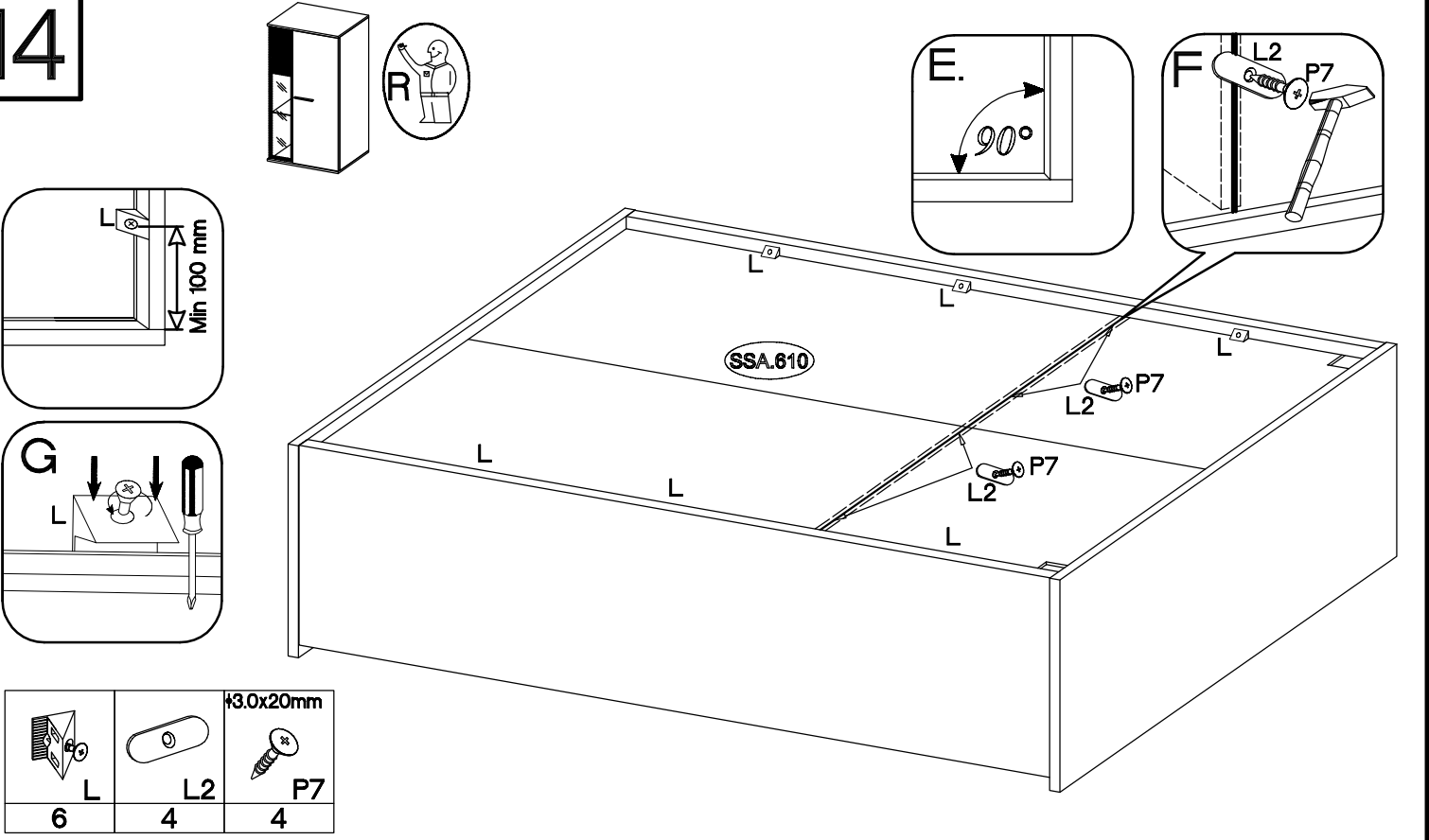
12



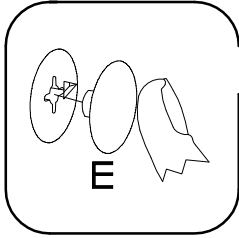
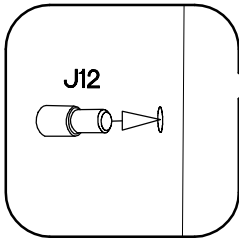
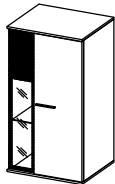
13





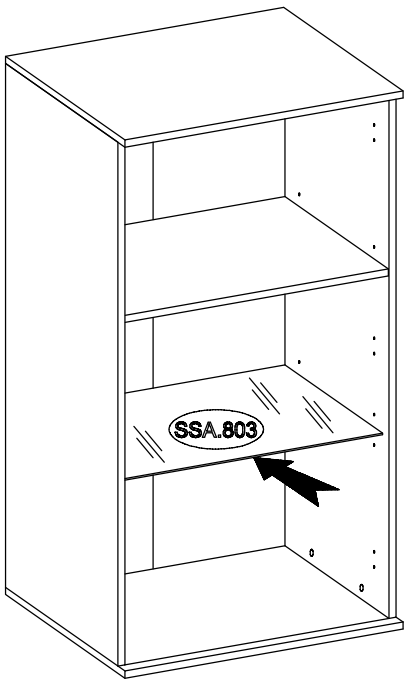
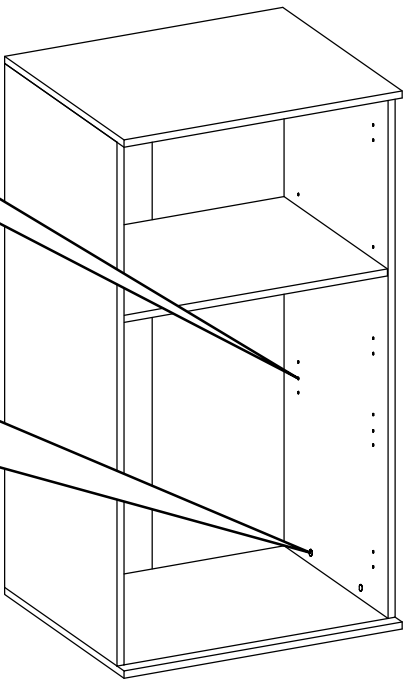
14



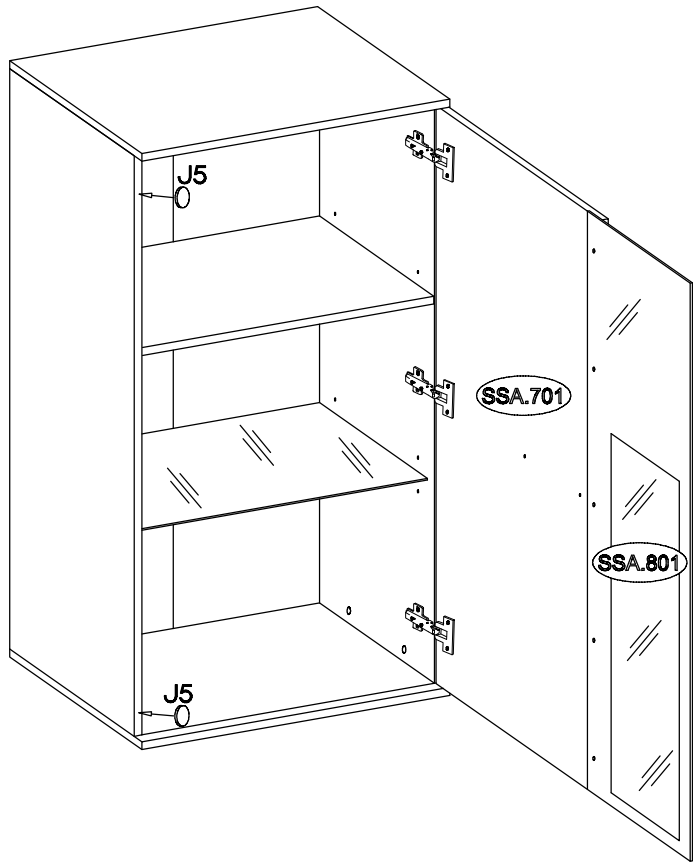
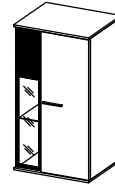
15






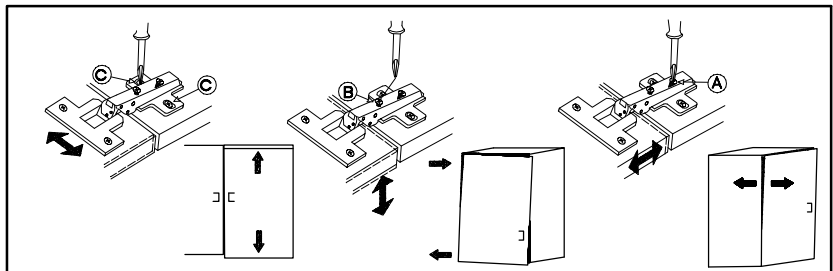
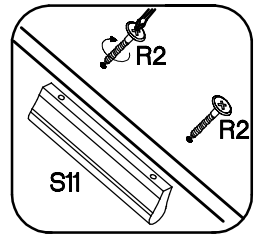
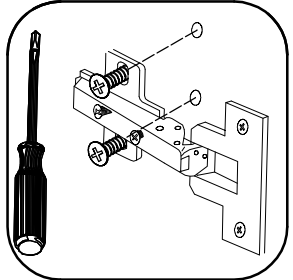
	
J12	E
4	12






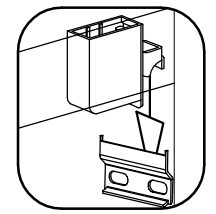
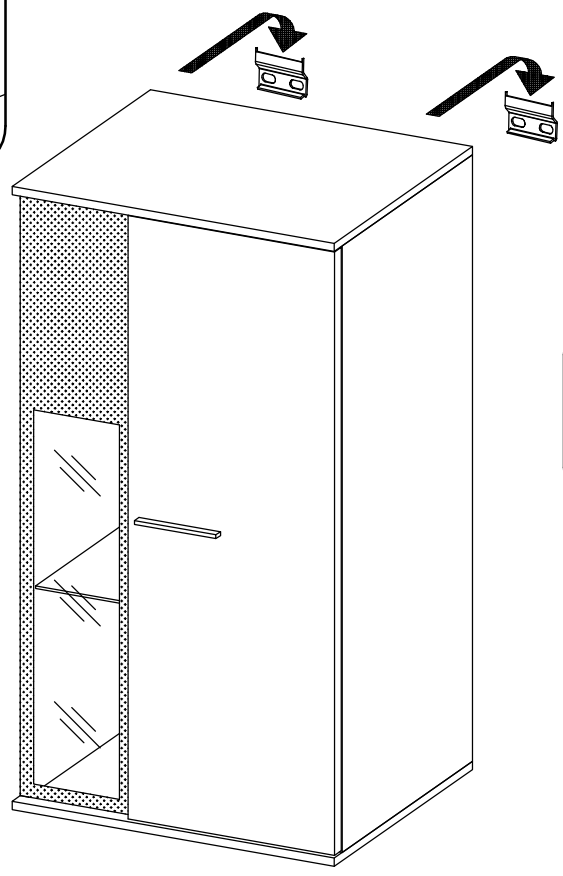
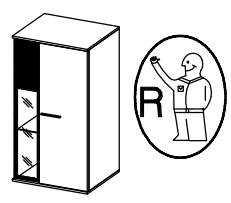
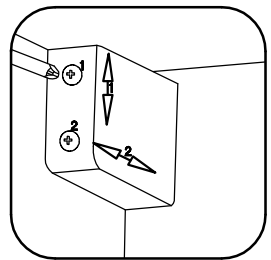
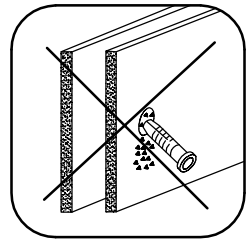
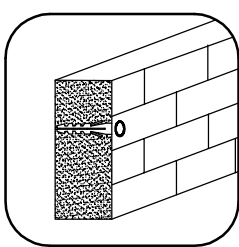
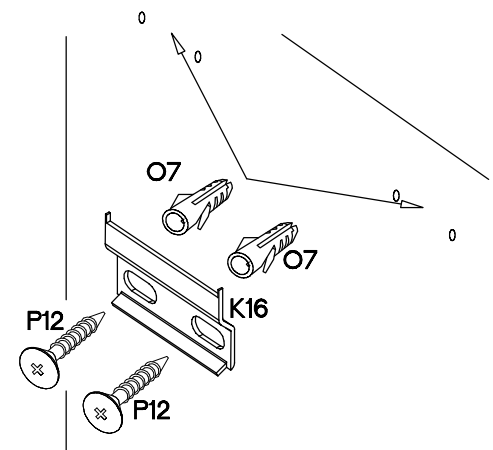
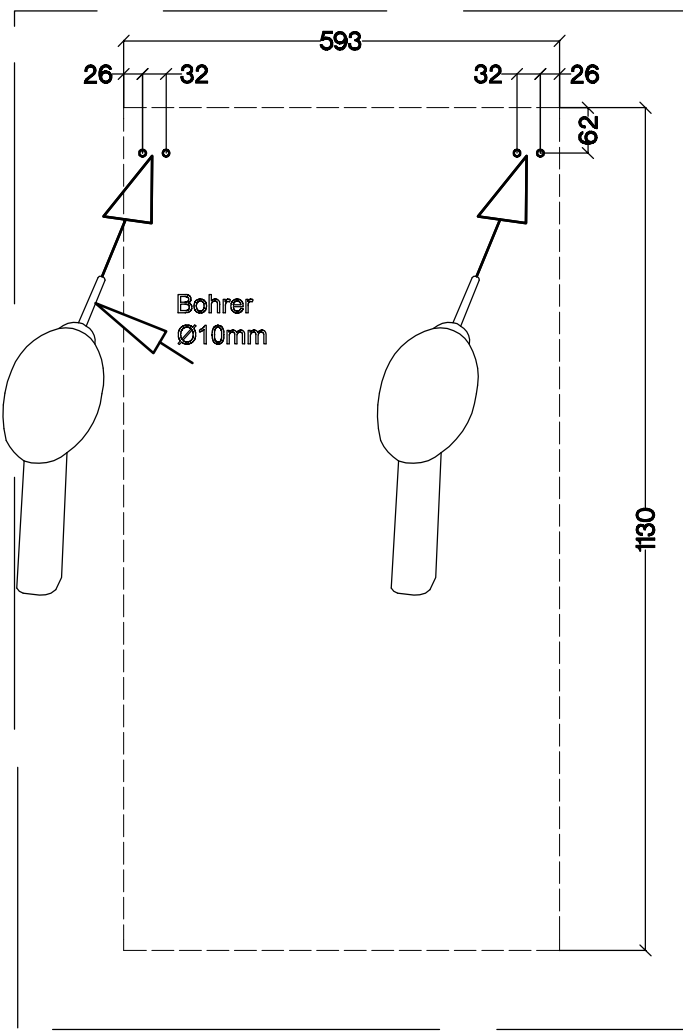
16



		
J5	R2	S11
2	2	1

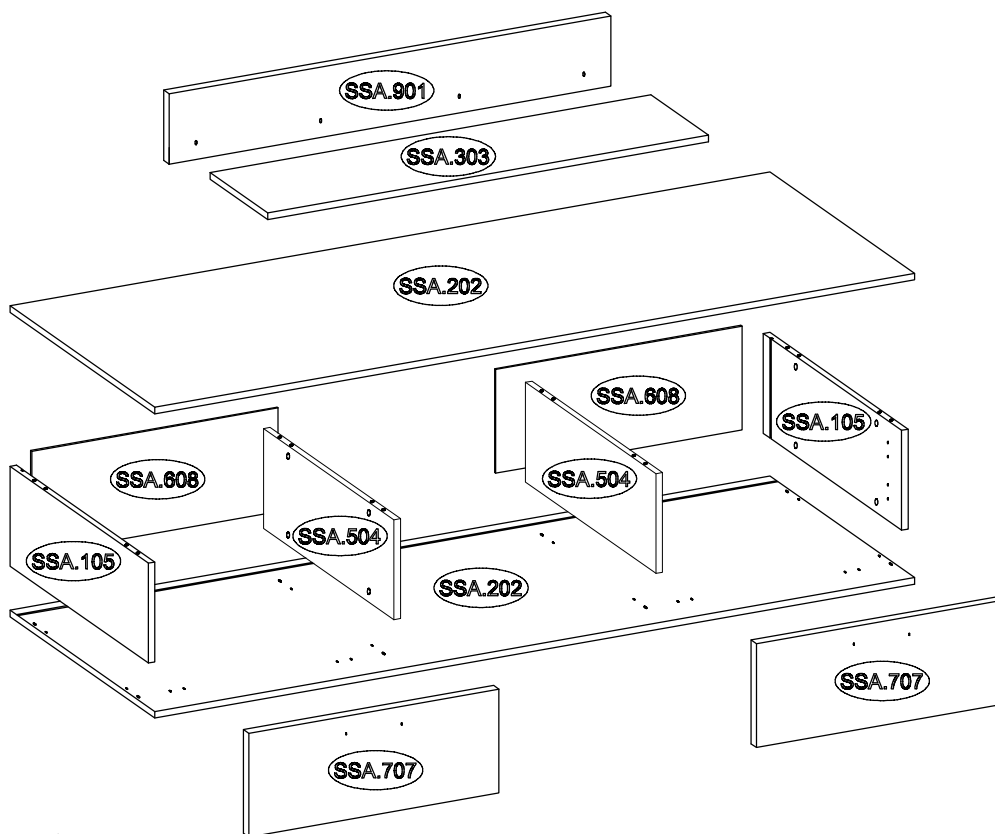
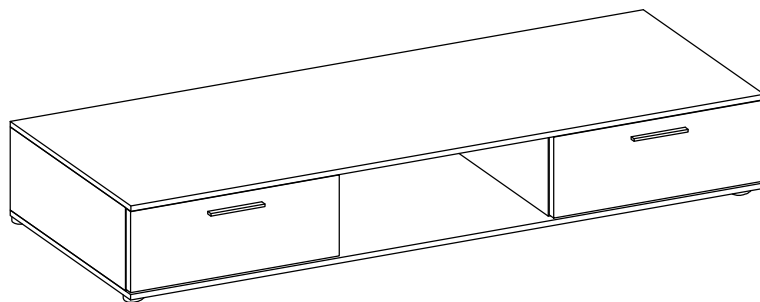
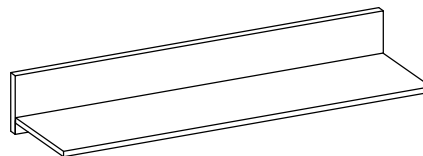


±5.0x60mm	±10x50mm	
		K16
4	4	2



SALSA

Typ 318




1B	L=128mm	+4.0x30mm
	2	4

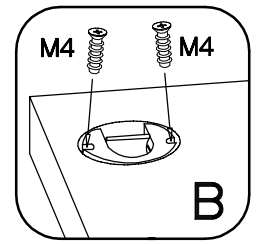
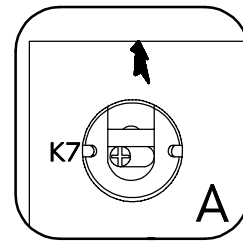
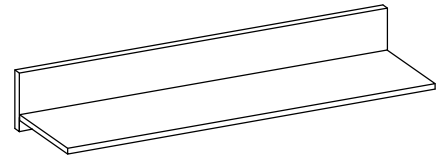
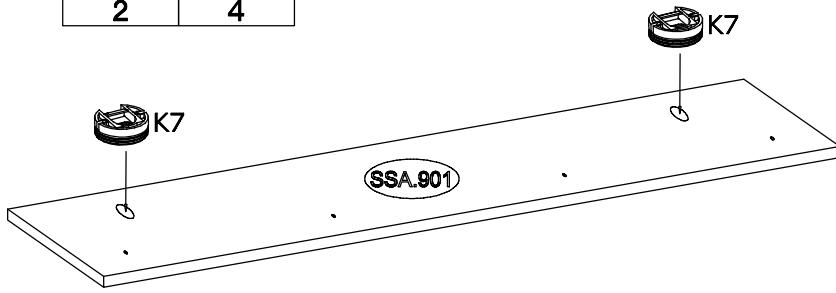
2B	H=0	+35/16mm	+3.5x13mm
	4	4	8

3B		+6.3x9mm		6,4 x 50mm	5/45mm	+10x50mm	+15/12mm	+8x30mm	L=20mm	+4.0x25mm
	2	4	1	4	2	2	16	16	16	6


	+3.5x13mm						
	6	6	2	4	16	10	4

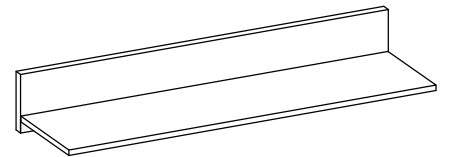
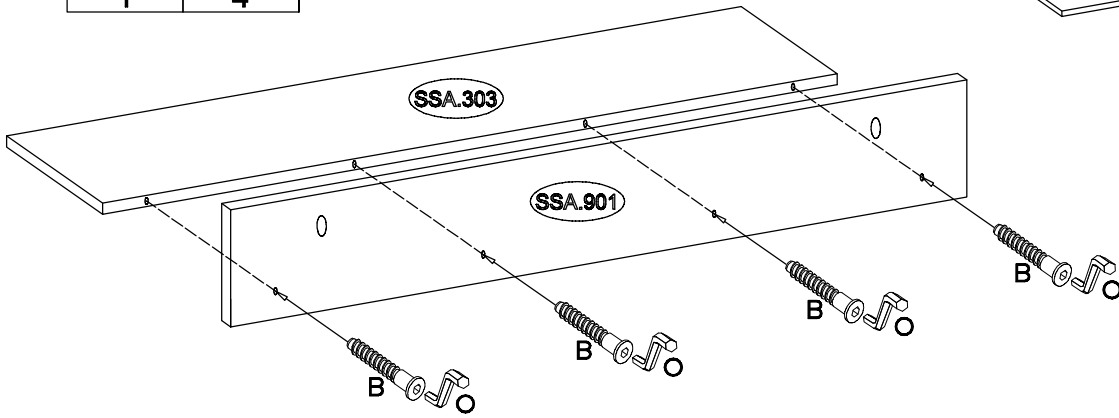
1

	$\pm 6,3 \times 9 \text{mm}$
K7	M4
2	4

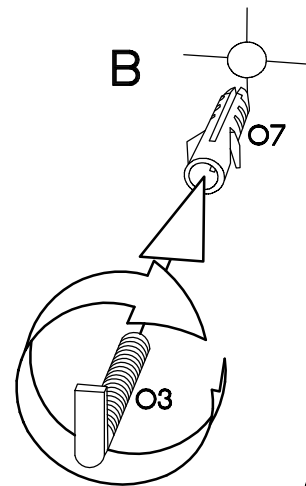
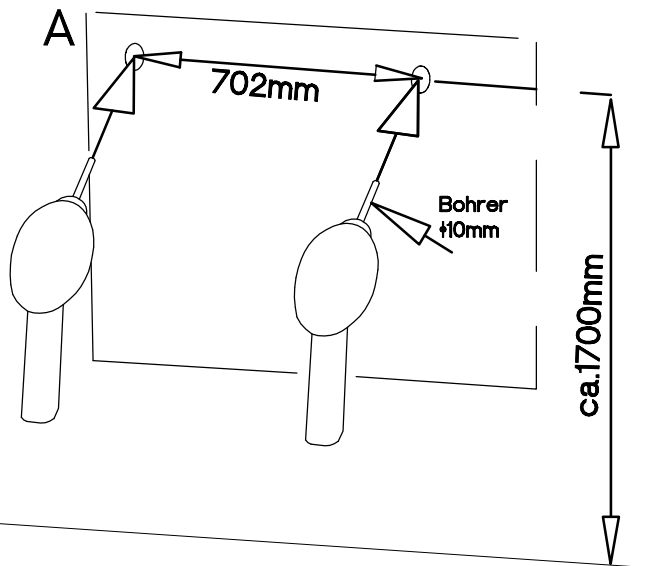



2

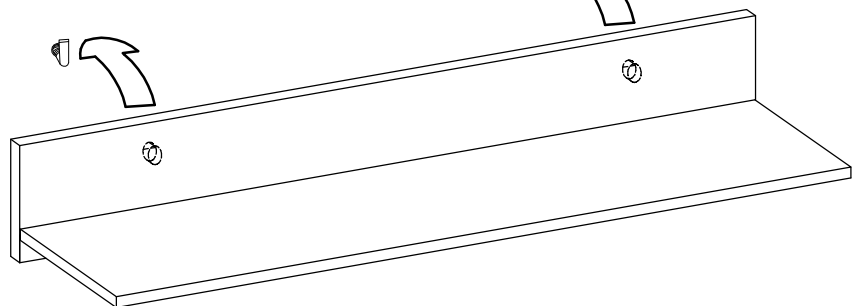
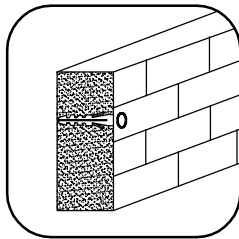
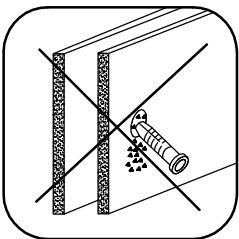
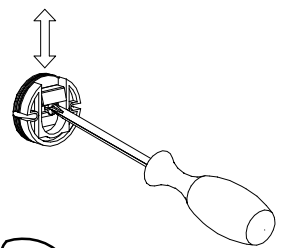
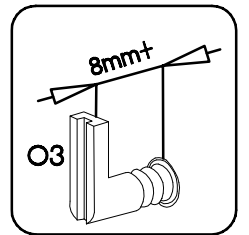
	$6,4 \times 50 \text{mm}$
O	B
1	4






3





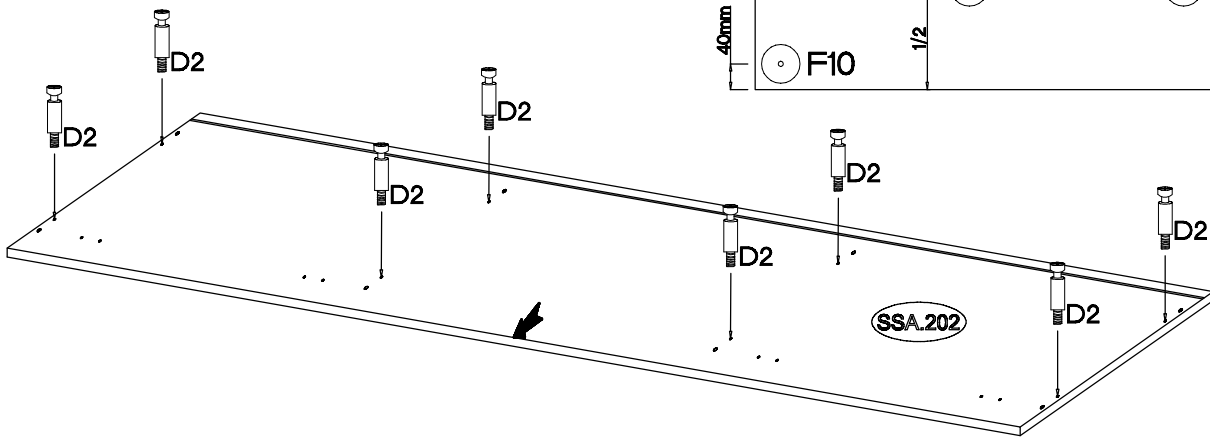
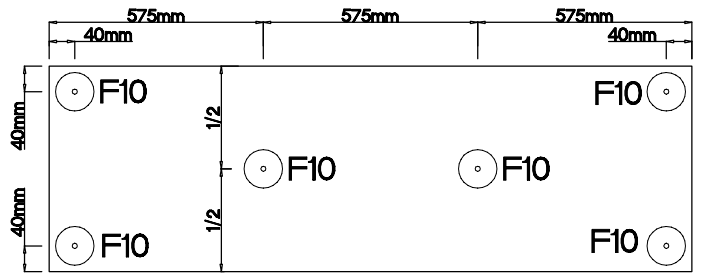
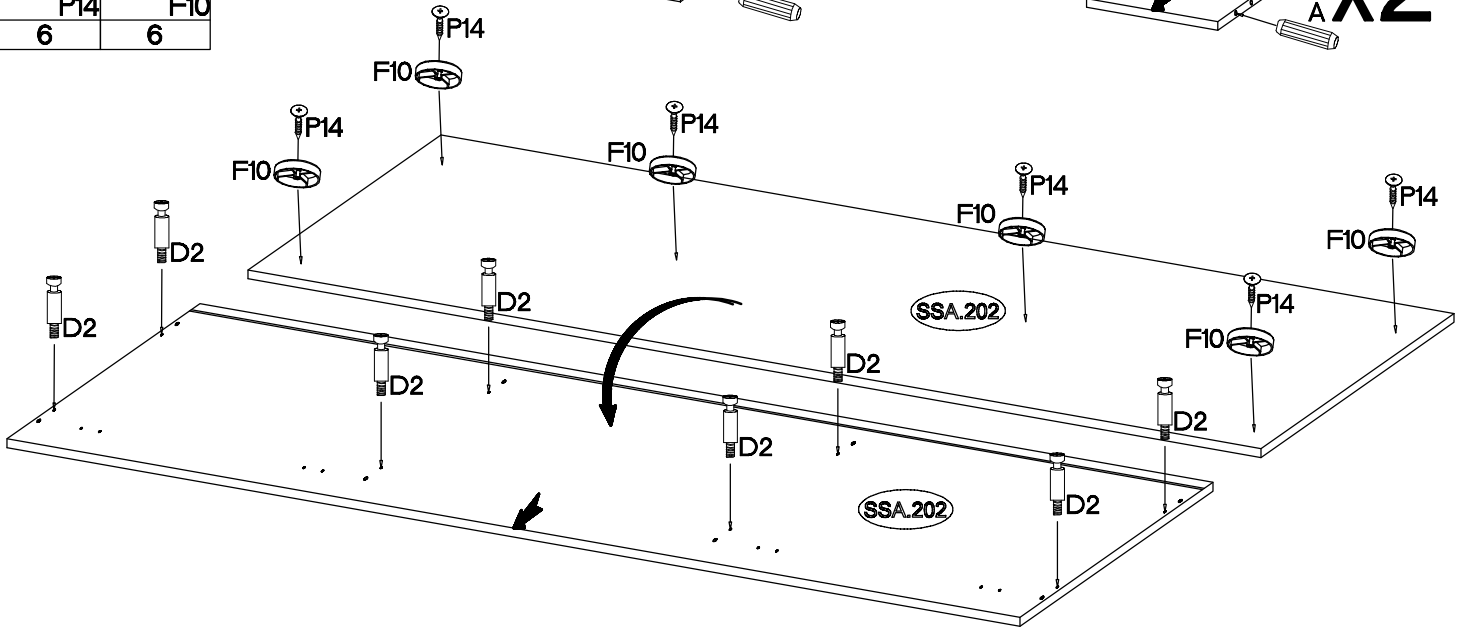
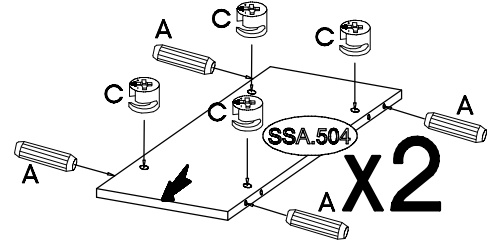
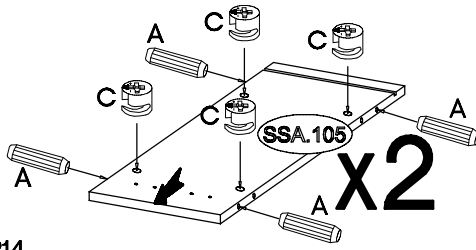
	$\pm 10 \times 50 \text{mm}$
O3	O7
2	2



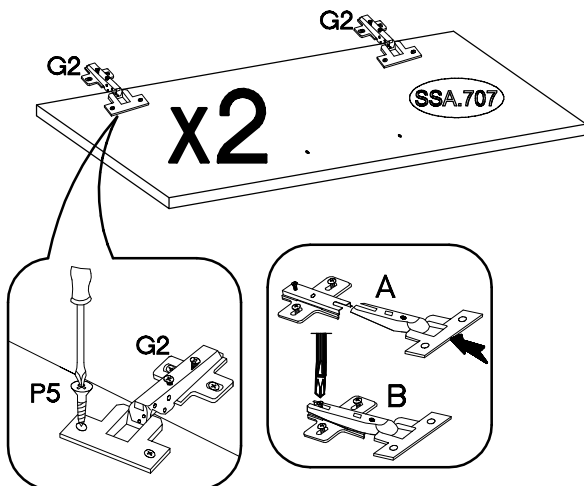
4





		
16	16	16

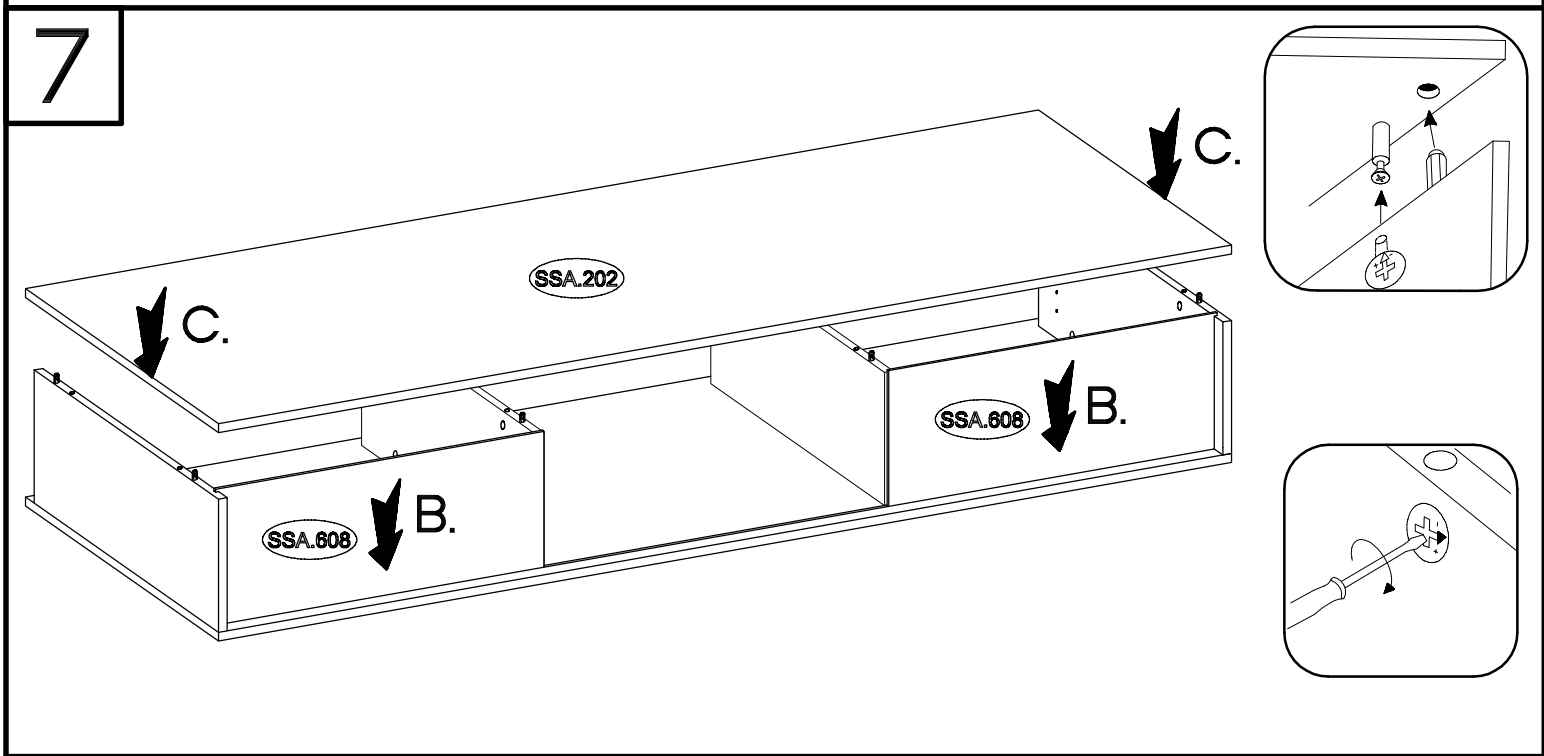
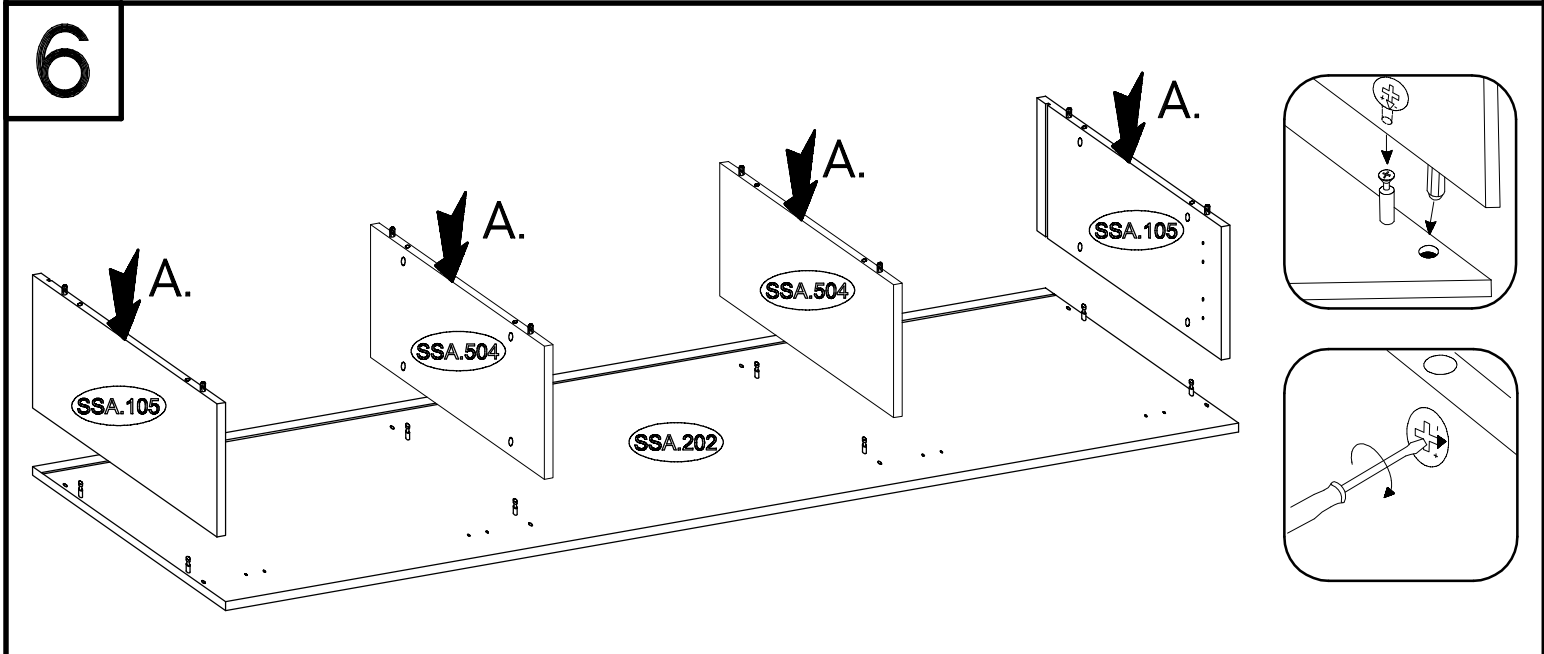
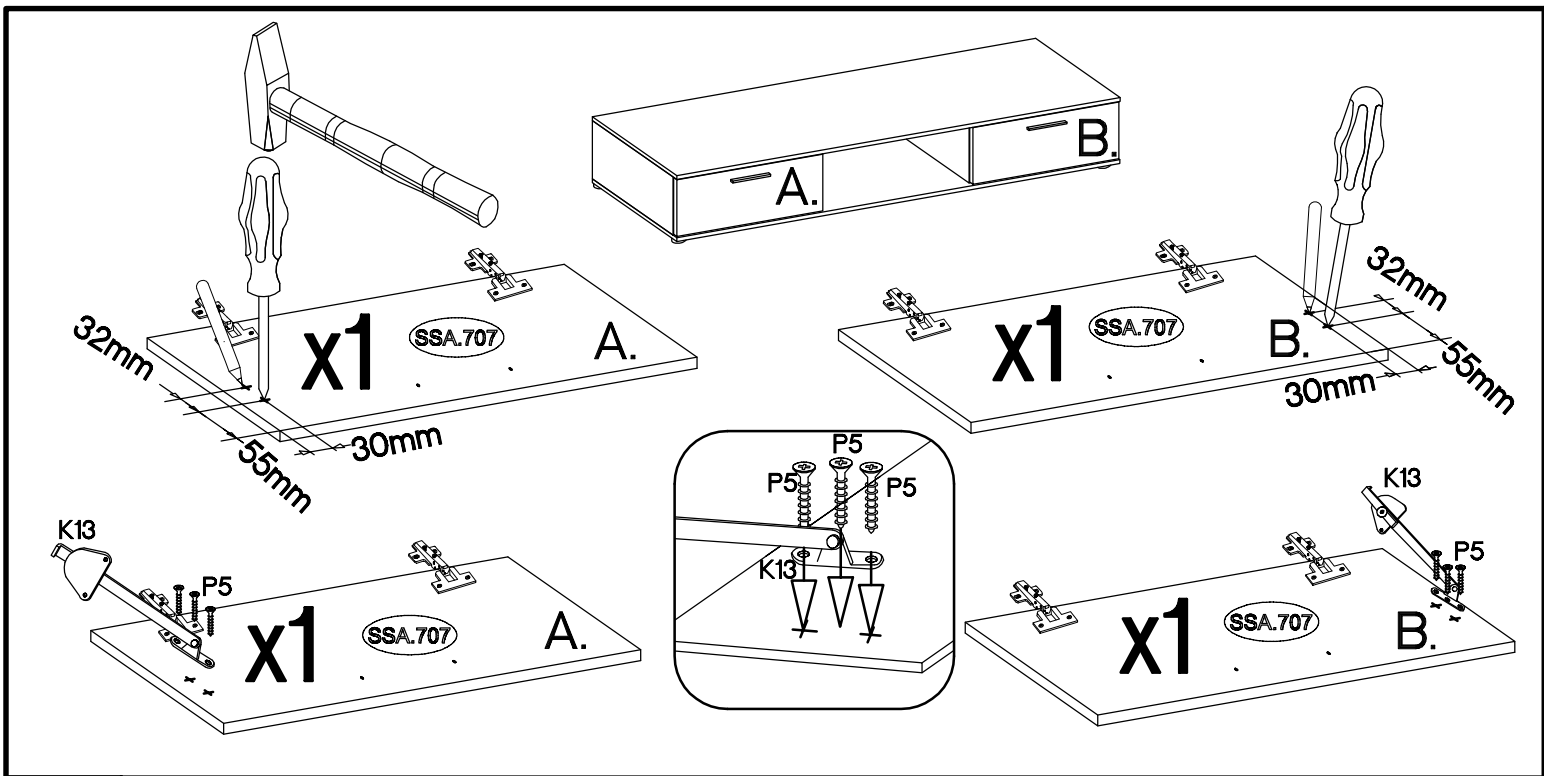
	
6	6



5

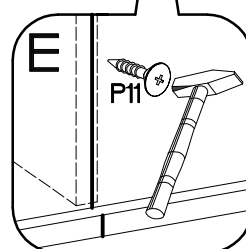
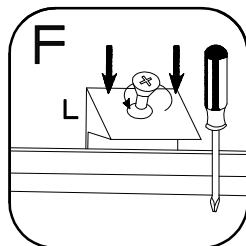
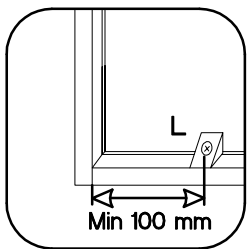
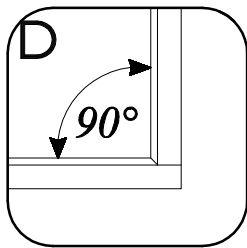
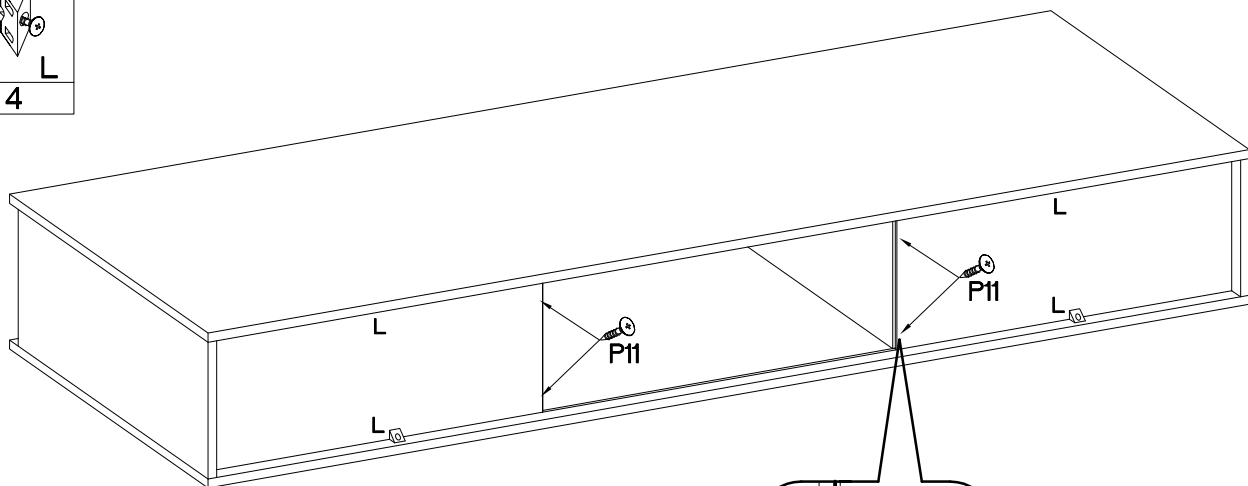


			
4	4	14	2



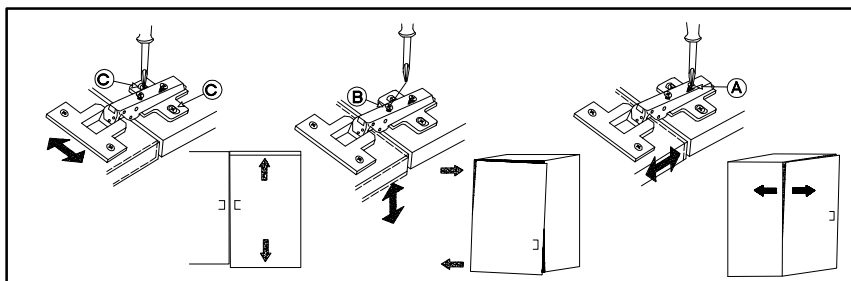
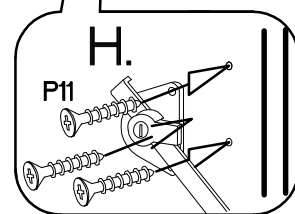
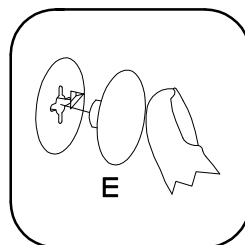
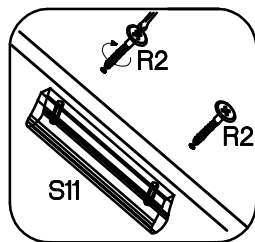
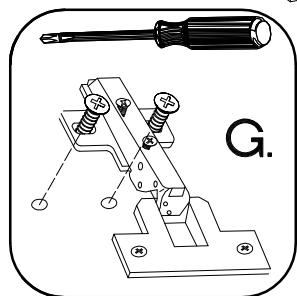
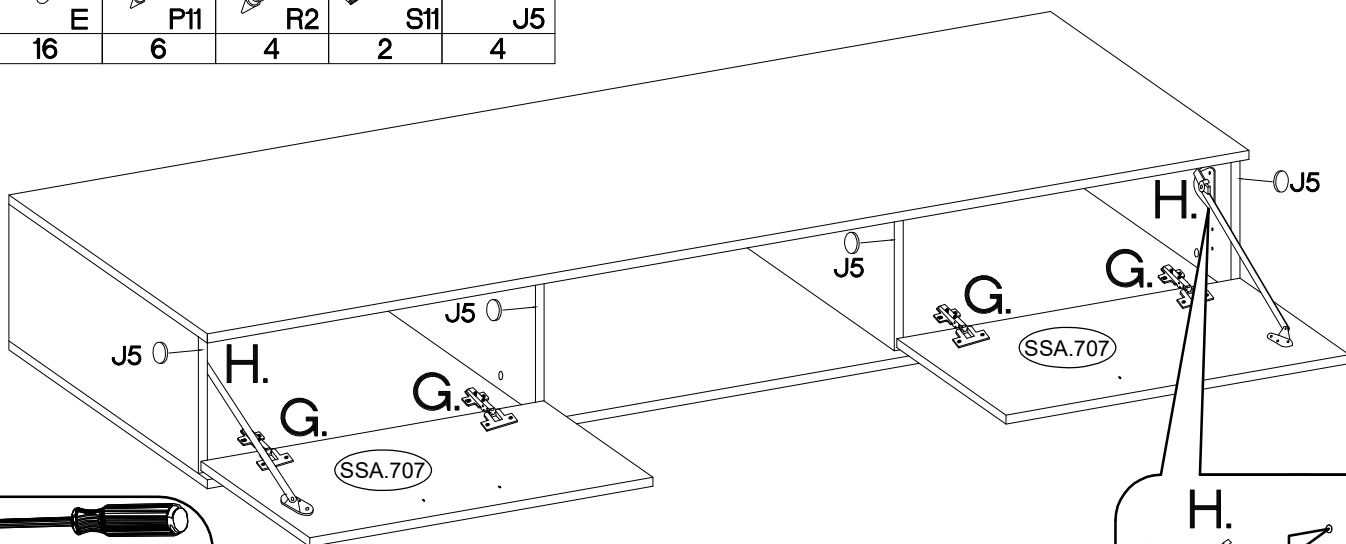
8

 #3.0x16mm P11 4	 L 4
---------------------------	------------



9

 E 16	 #3.0x16mm P11 6	 #4.0x30mm R2 4	 L=128mm S11 2	 J5 4
-------------	---------------------------	--------------------------	-------------------------	-------------



STOLARZ-LEMPERT

Stolarz – Lempert Sp. k.
 63-604 Baranów, Marianka Mroczeńska 3
www.stolarz-lempert.pl

