

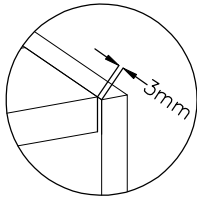


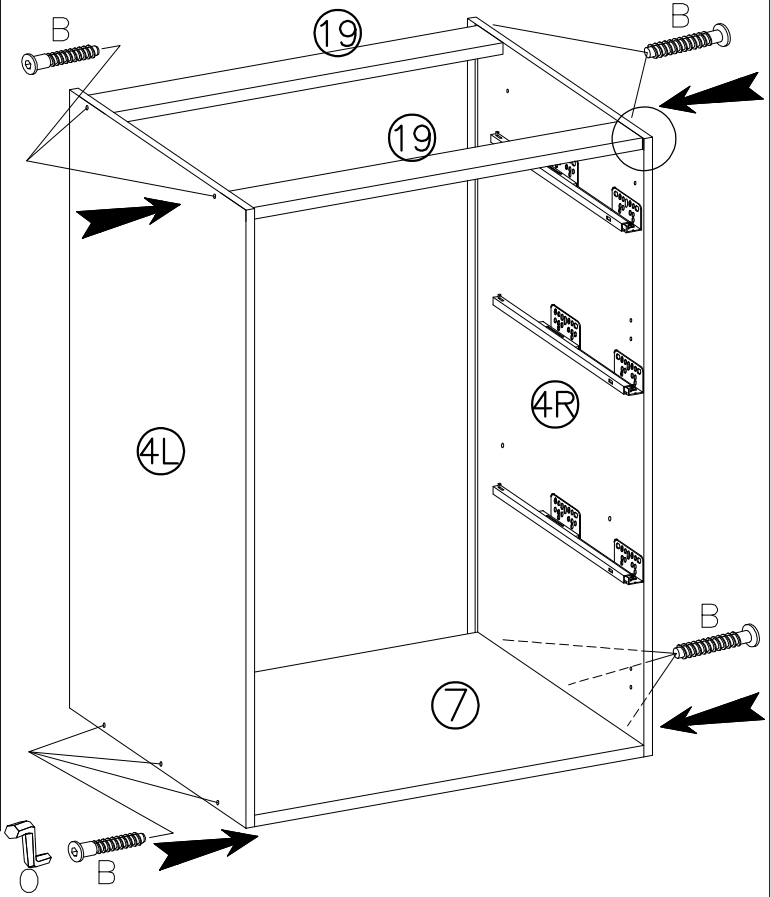
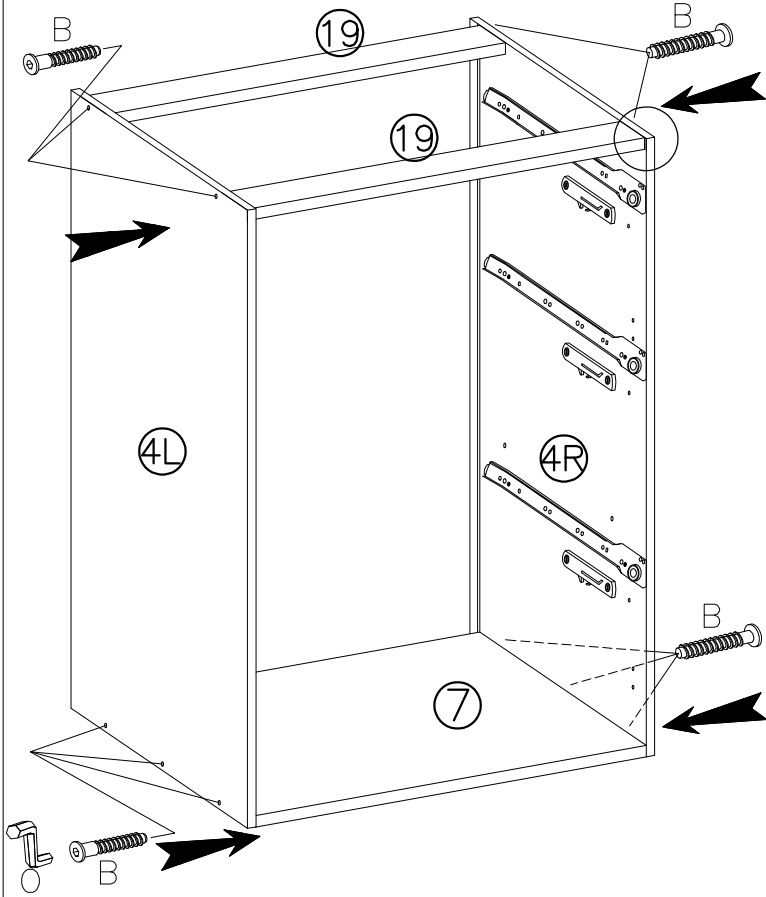
3

	
B	O
10	1


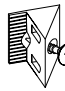

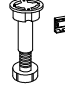


BASIC

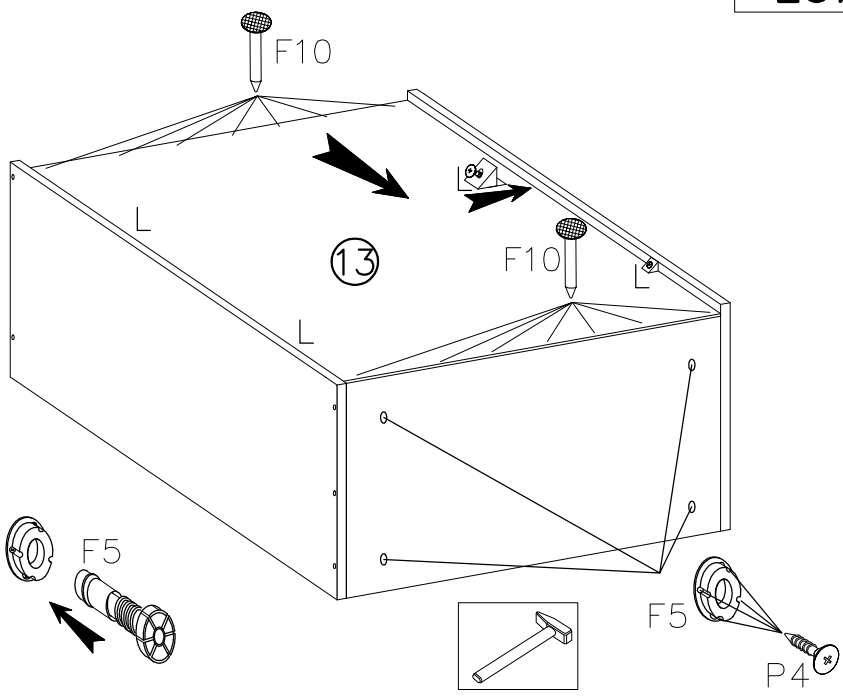
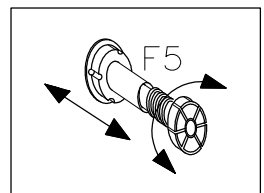
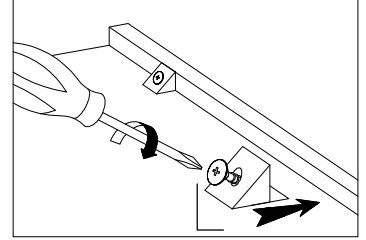
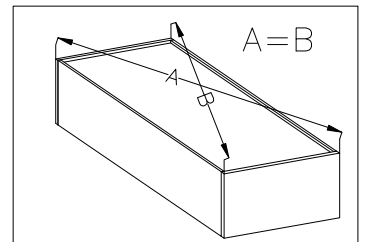
LUX

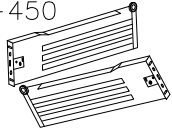
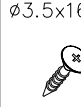
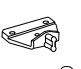




4

		$\varnothing 3.5 \times 16 \text{mm}$ 	
F10	L	P4	F5
16	4	16	4+2

BASIC
+
LUX



L-450  3KPL	PR  60	∅3.5x16mm  P4 3
---	--	---

S1  3	M4.0x27mm  R2 6
--	---

BASIC

