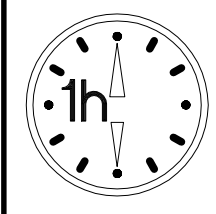
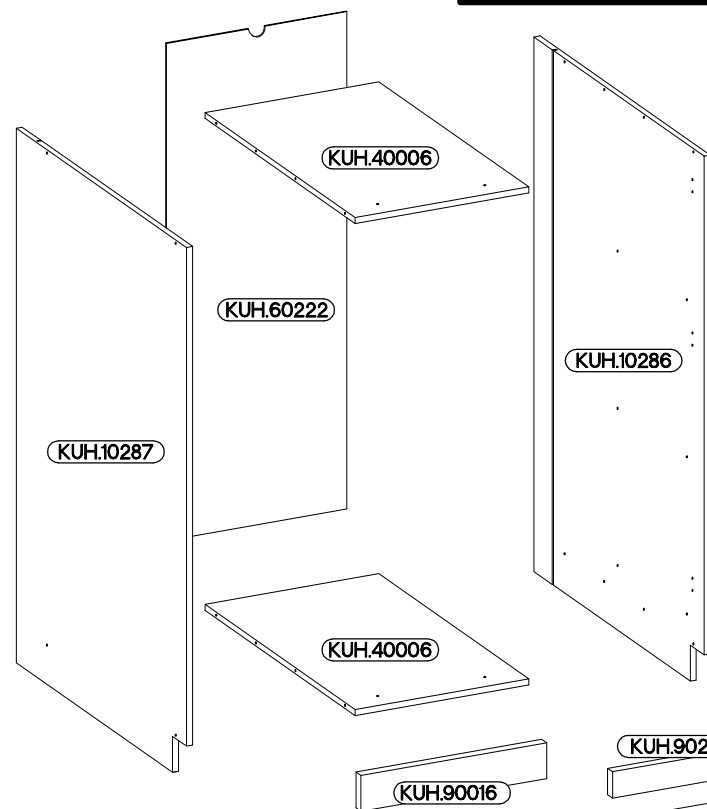
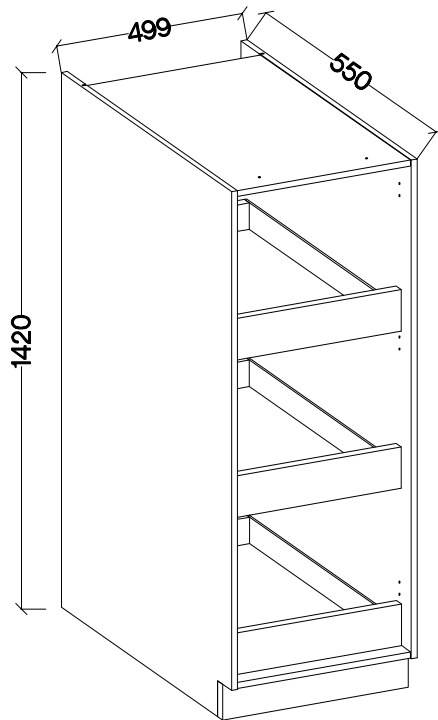
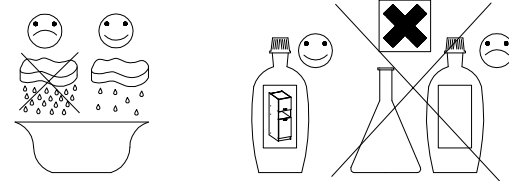
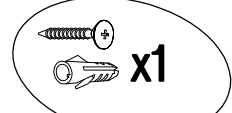


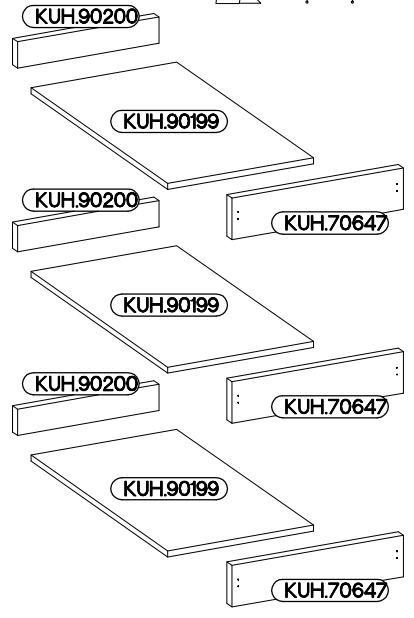
50 DK-1450



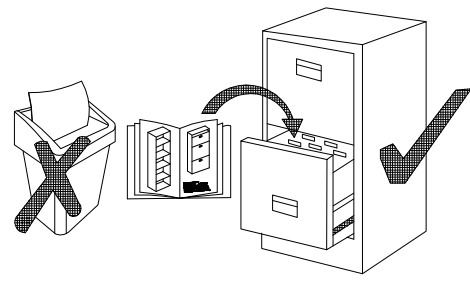
max. 25kg **KUH.90199**



| Ersatzteil Nummer | Dimension |
|-------------------|--------------|
| KUH.10286 | 1415x550x16 |
| KUH.10287 | 1415x550x16 |
| KUH.40006 x2 | 467x485x16 |
| KUH.60222 | 1316x485x2,5 |
| KUH.70647 x3 | 461x110x16 |
| KUH.90199 x3 | 442x392x16 |
| KUH.90200 x3 | 380x70x16 |
| KUH.90016 | 499x95x16 |

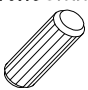
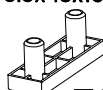


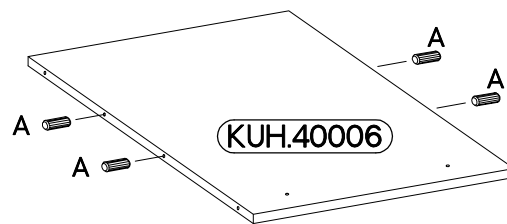
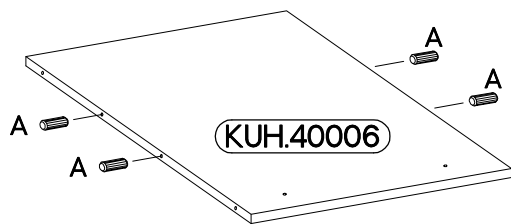
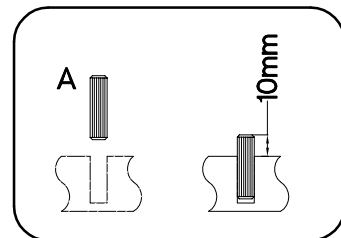
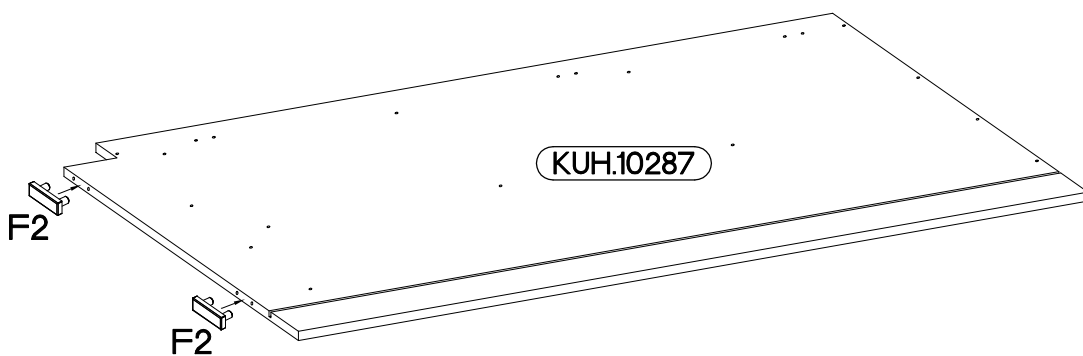
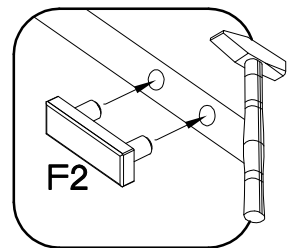
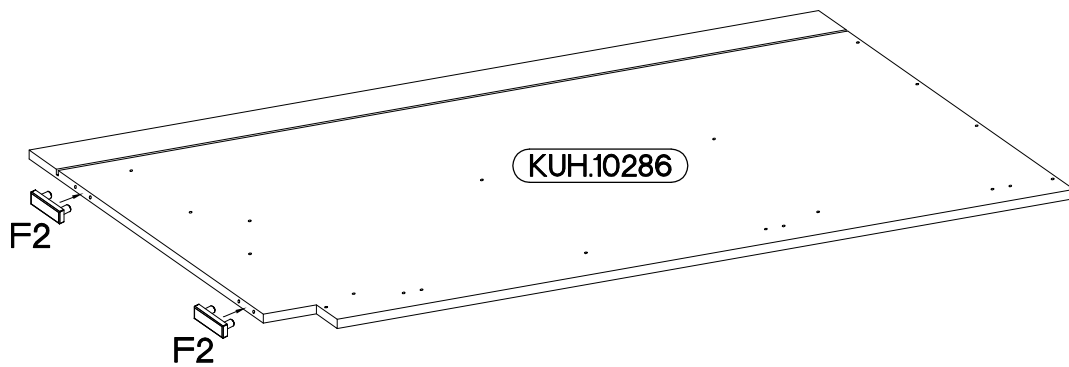
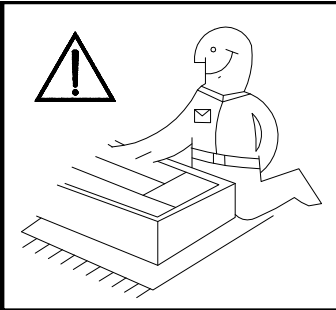
| | | | | | | |
|-----------|------------|------------|------------|------------|------------|----------|
| A | B | E1 | E5 | E9 | F2 | |
| 8 | 8 | 8 | 3 | 2 | 4 | |
| G8 | H | K28 | K29 | L25 | M3 | O |
| 3 | 3 | 4 | 2 | 1 | 12 | 1 |
| P1 | P4 | P5 | P7 | P11 | R3 | U |
| 12 | 2 | 40 | 8-10 | 12 | 4 | 2 |
| S | 11A | 11C | 11D | 11E | 11G | |
| 1 | 3 | 3 | 3 | 6 | 6 | |



ISM-KUH-02160

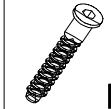
1

| | |
|---|--|
| $\varnothing 8 \times 30 \text{mm}$  A 8 | $6.5 \times 48 \times 16$  F2 4 |
|---|--|



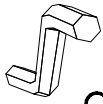
2

6,4 x 50mm



B

4



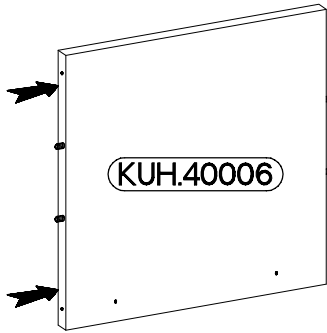
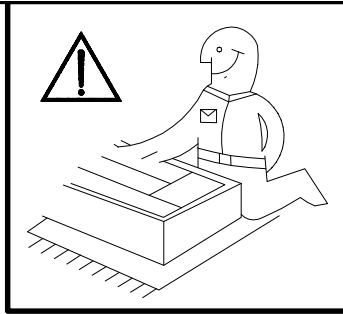
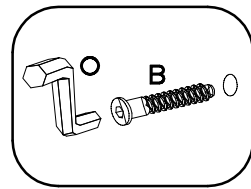
O

1

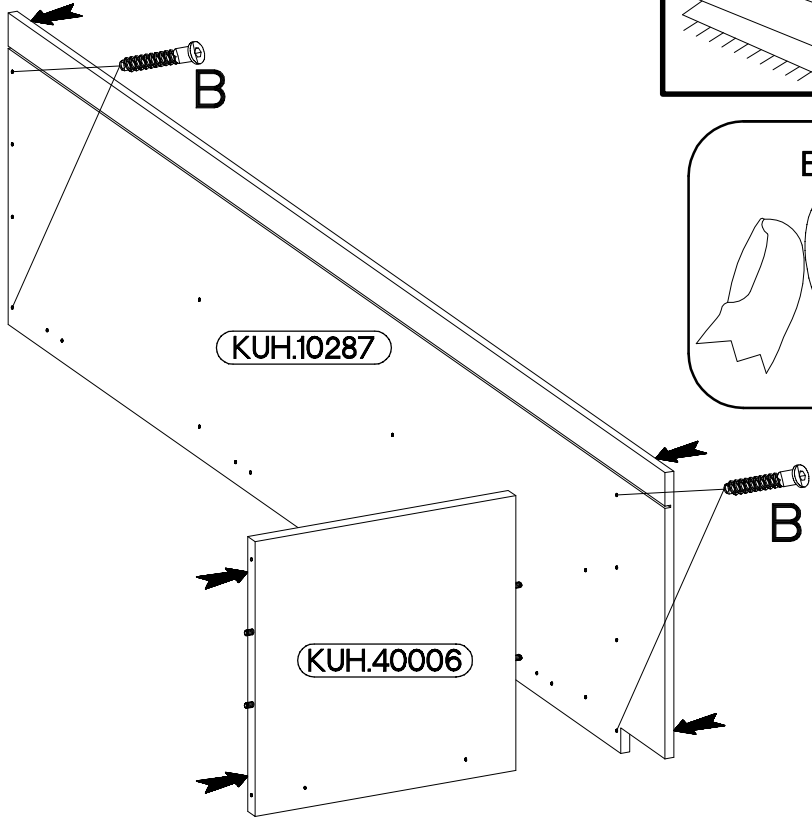


E1

4

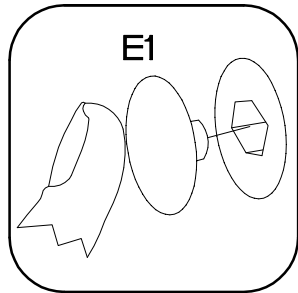


KUH.40006



KUH.10287

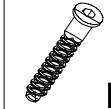
KUH.40006



E1

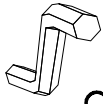
3

6,4 x 50mm



B

4



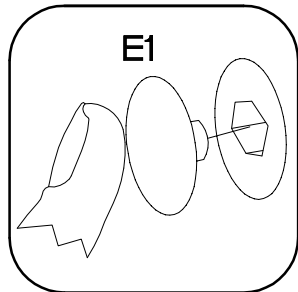
O

1

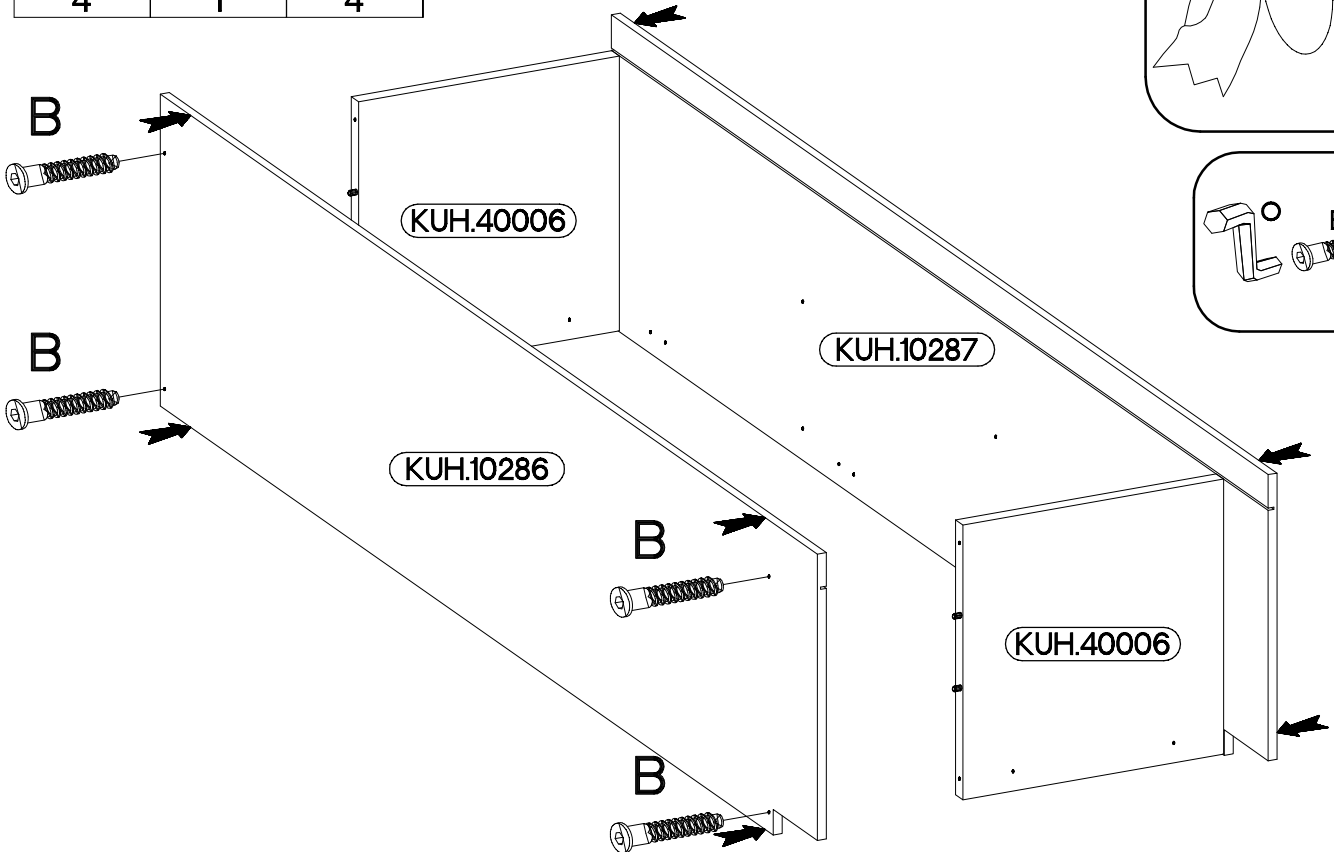
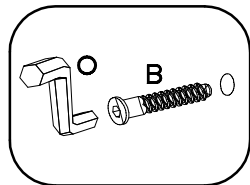


E1

4



E1



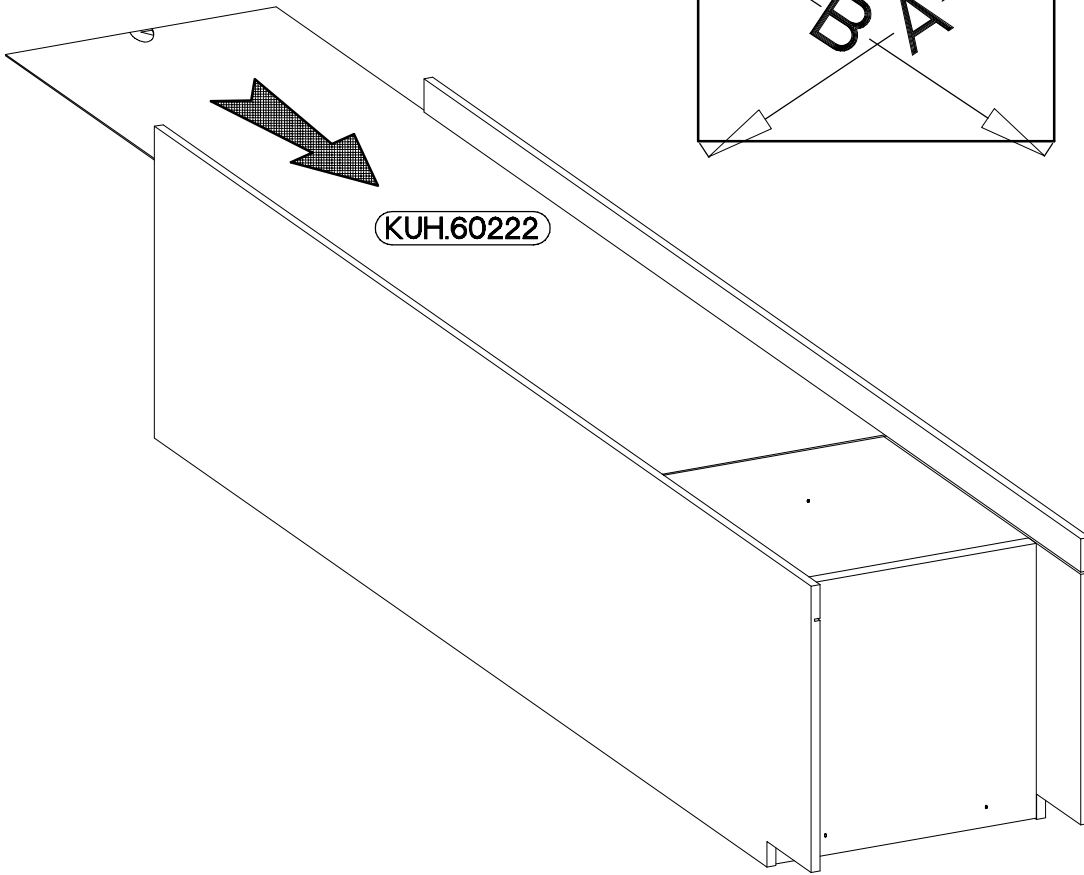
KUH.40006

KUH.10286

KUH.10287

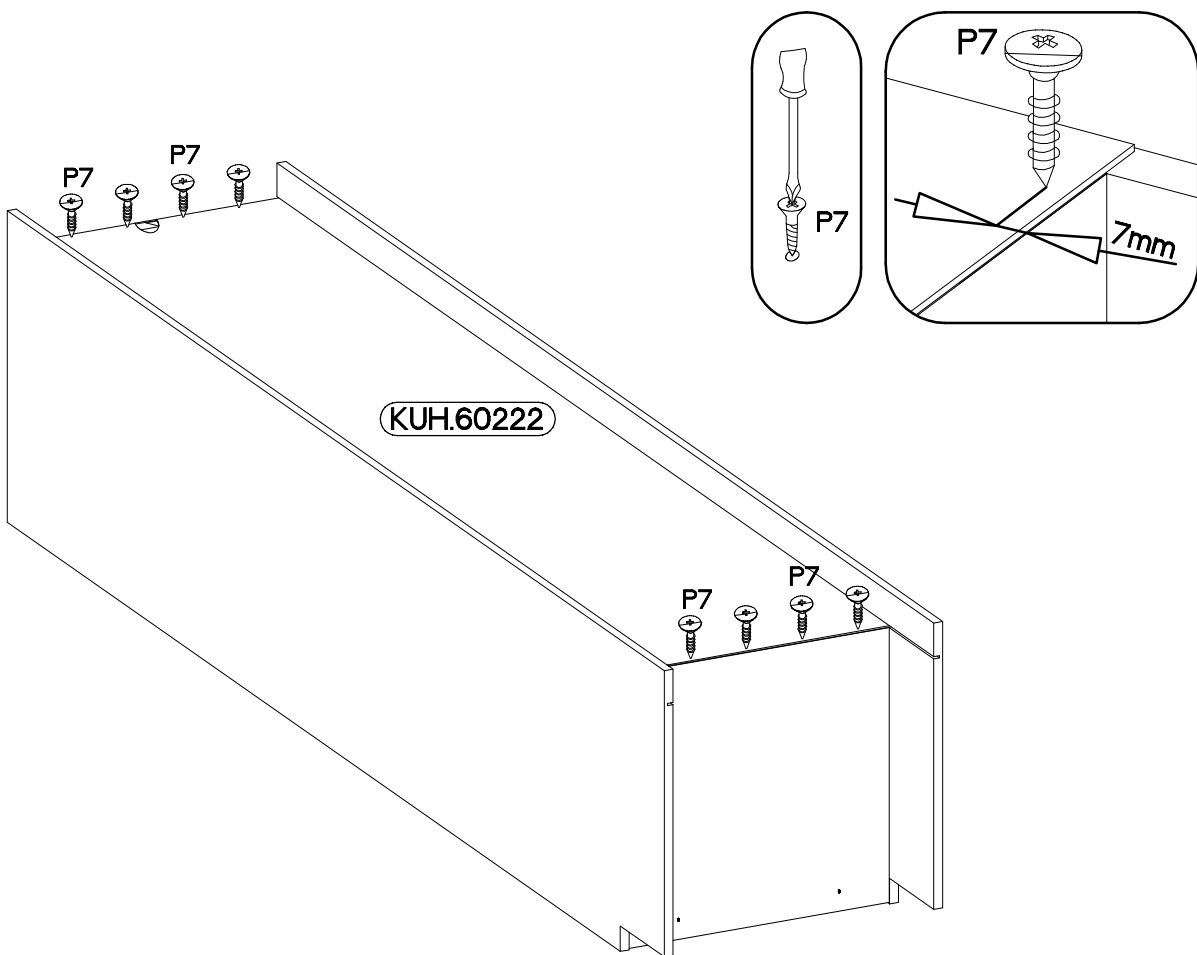
KUH.40006

4





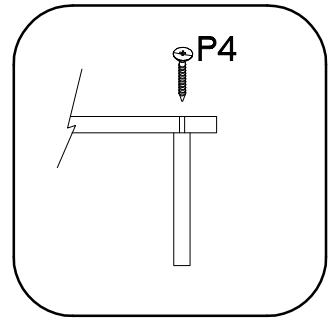
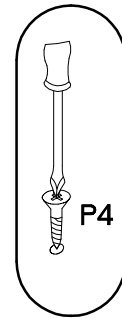
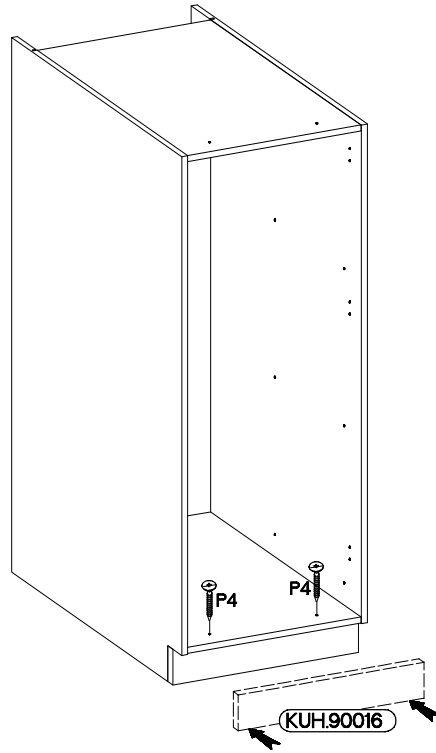
5

±3.0x20mm
P7
8-10





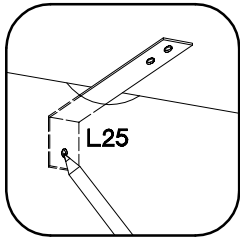
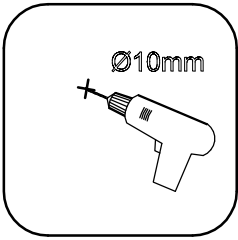
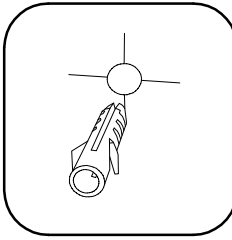
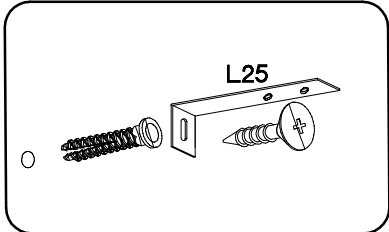
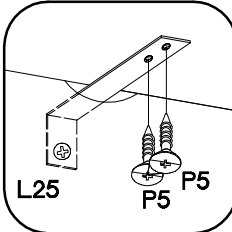
6

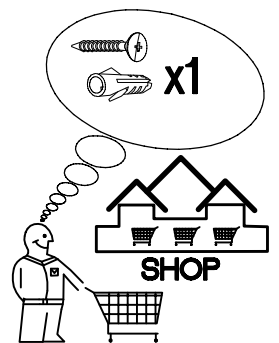
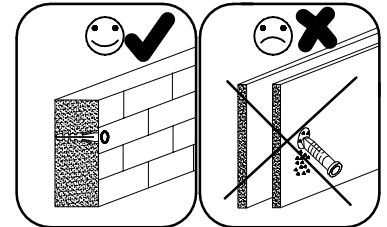
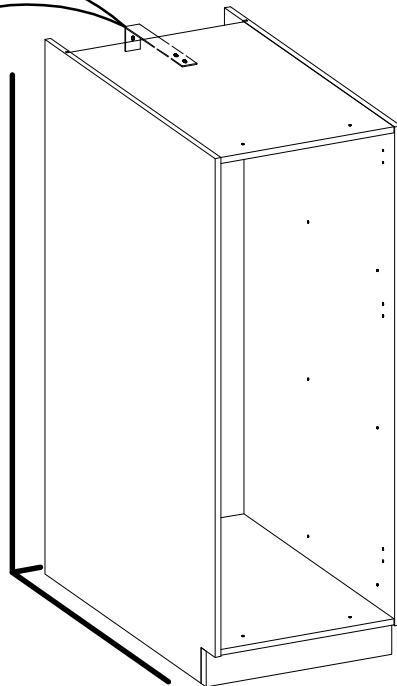
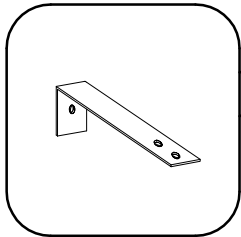
| | |
|--|---|
| $\pm 4.0 \times 45 \text{mm}$  P4 2 |  E9 2 |
|--|---|




7

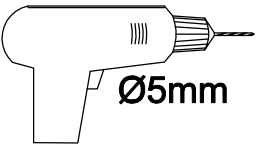
| | |
|---|---|
|  L25 1 | $\pm 3.5 \times 13 \text{mm}$  P5 2 |
|---|---|

- 
- 
- 
- 
- 

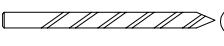

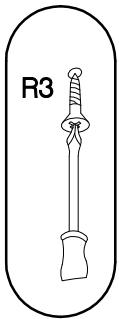
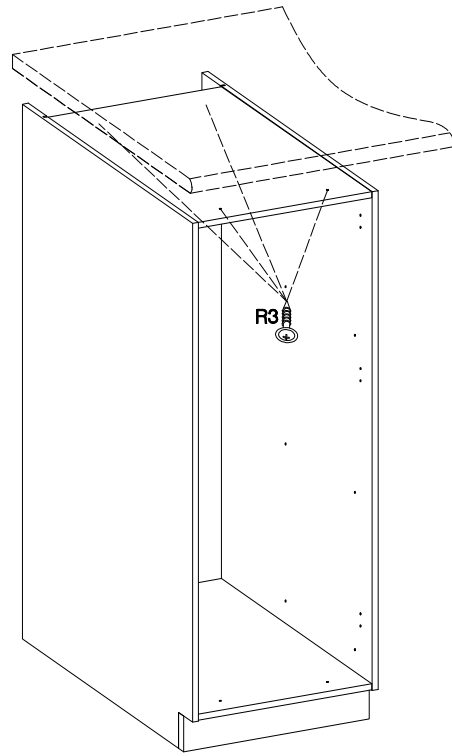
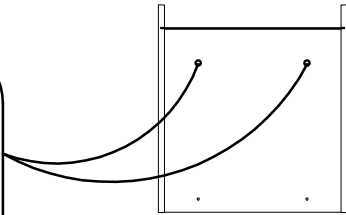


8

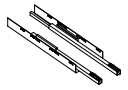
| |
|--|
| +4.0x35mm |
|  |
| R3 |
| 4 |

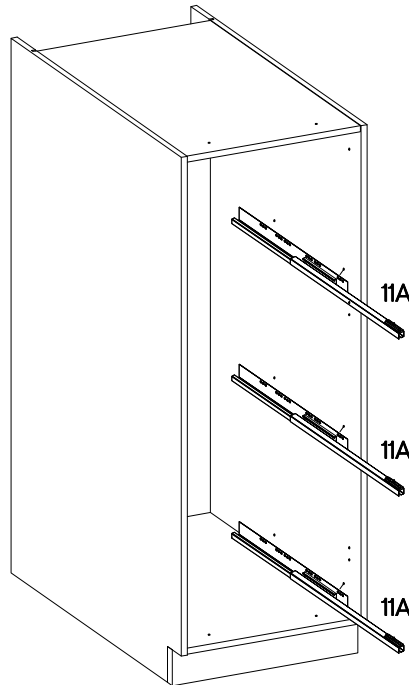
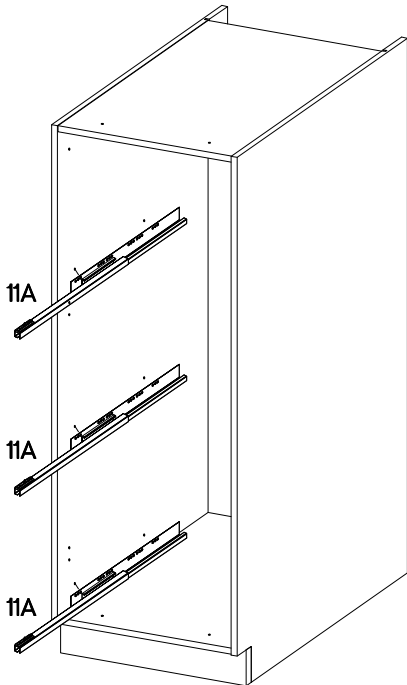
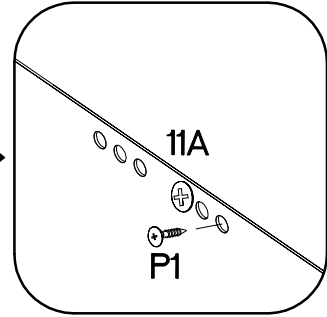
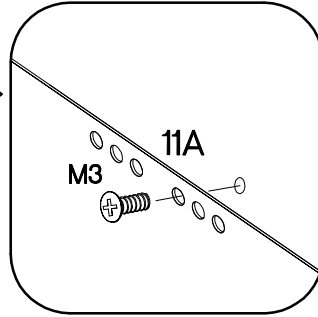
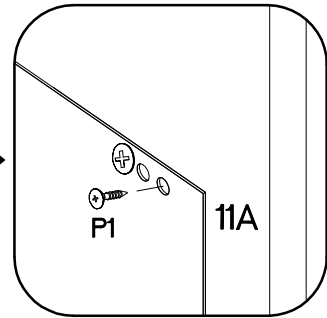
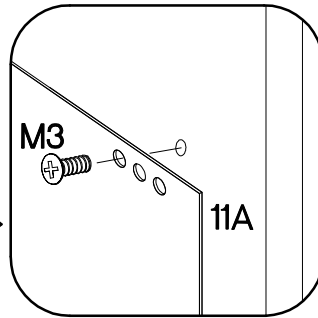
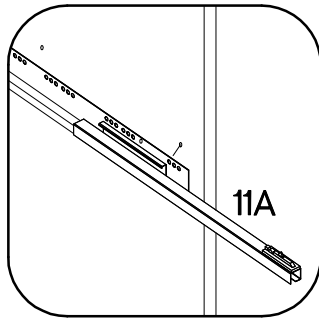


Ø5mm

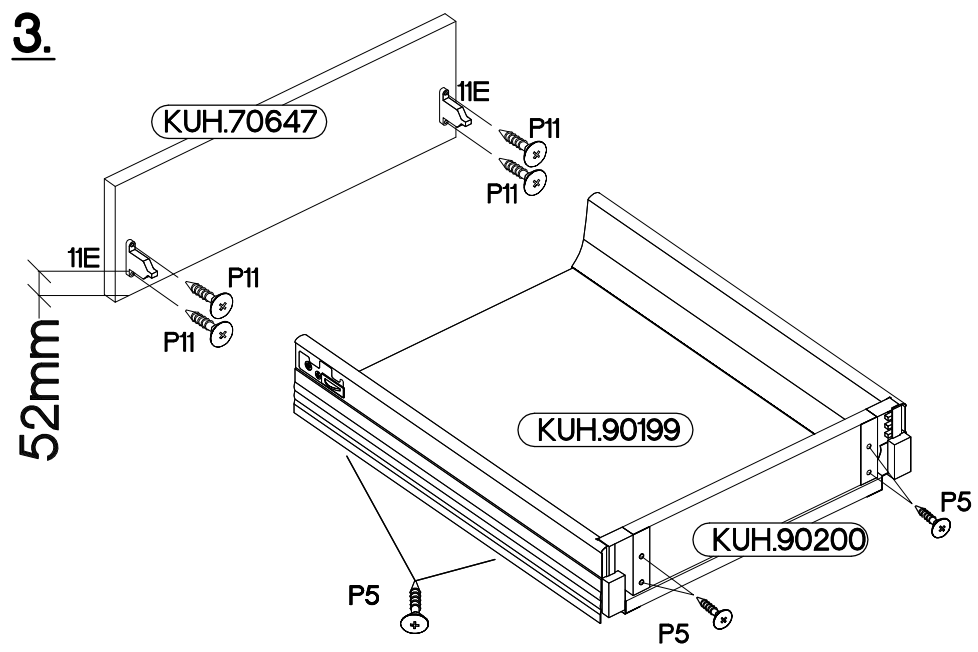
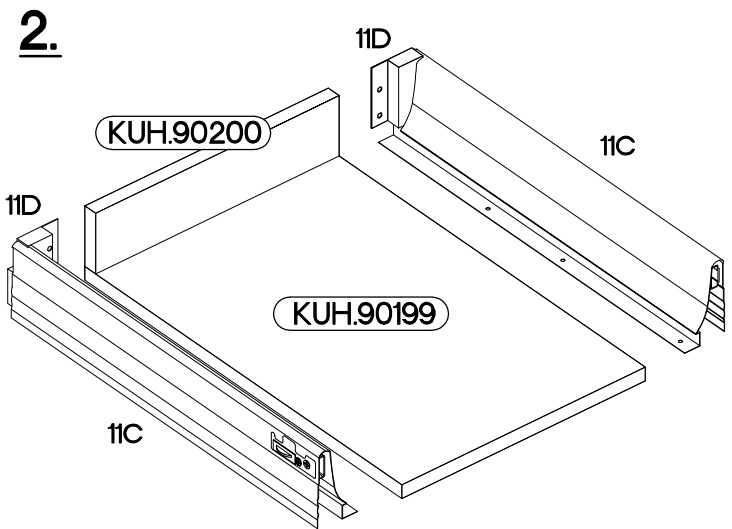
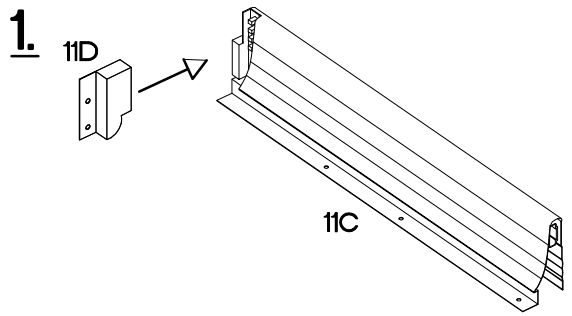




9

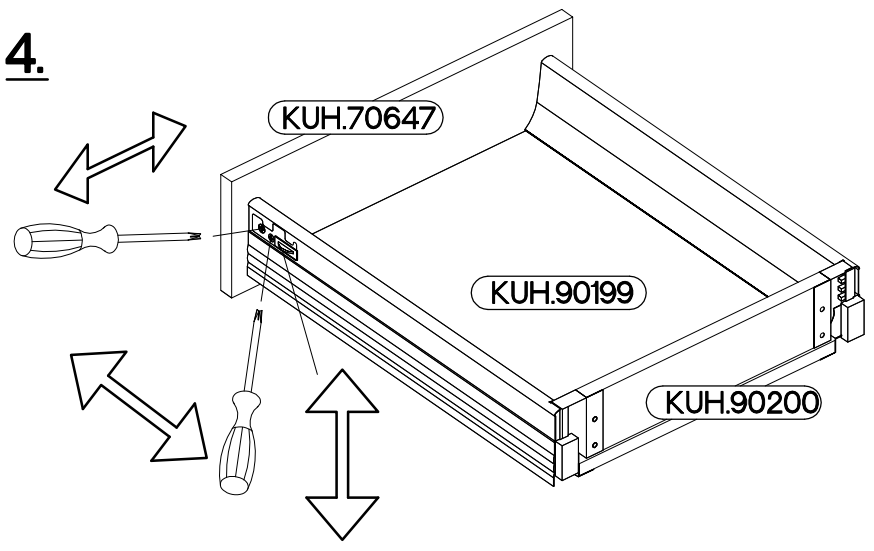
| | | |
|---|-----------|-----------|
|  | +6.3x13mm | +4.0x16mm |
| 11A | M3 | P1 |
| 3 | 12 | 12 |



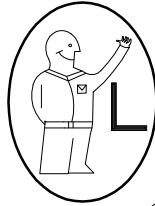
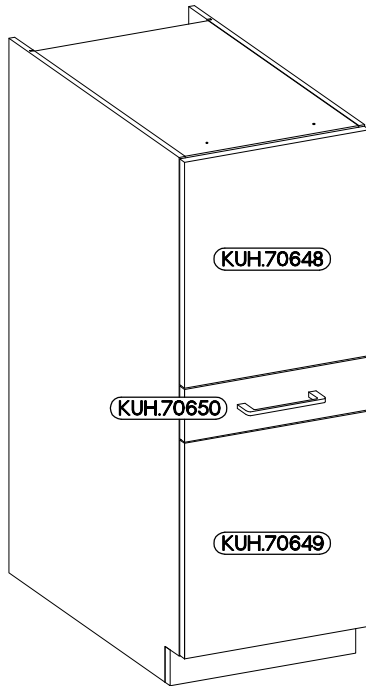
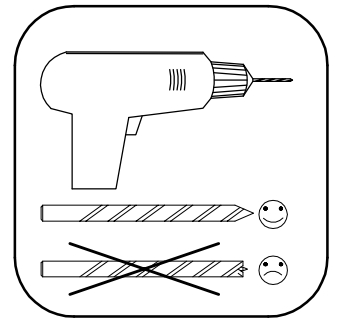
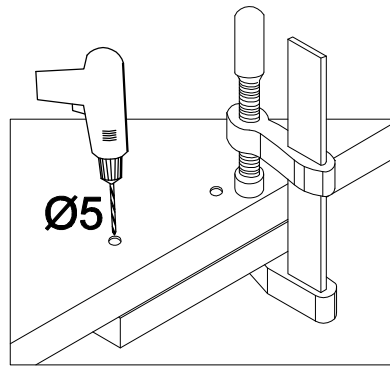
| | | | | | |
|-----|-----|-----|------------------------------------|------------------------------------|-----|
| | | | $\uparrow 3.0 \times 16 \text{mm}$ | $\uparrow 3.5 \times 13 \text{mm}$ | |
| 11D | 11C | 11E | P11 | P5 | 11G |
| 3 | 3 | 6 | 12 | 24 | 6 |



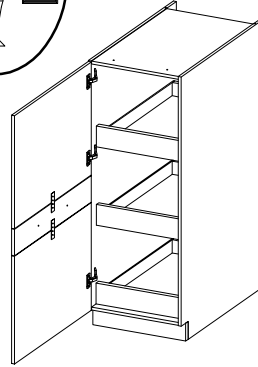
x3



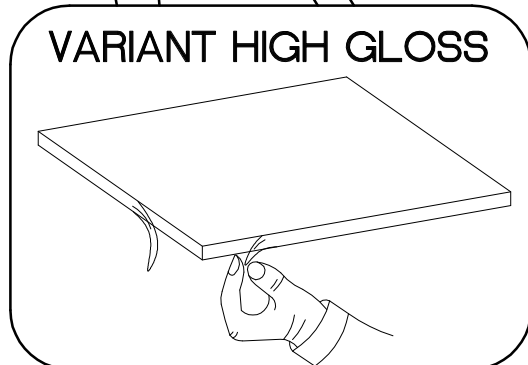
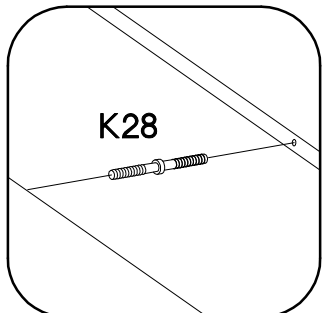
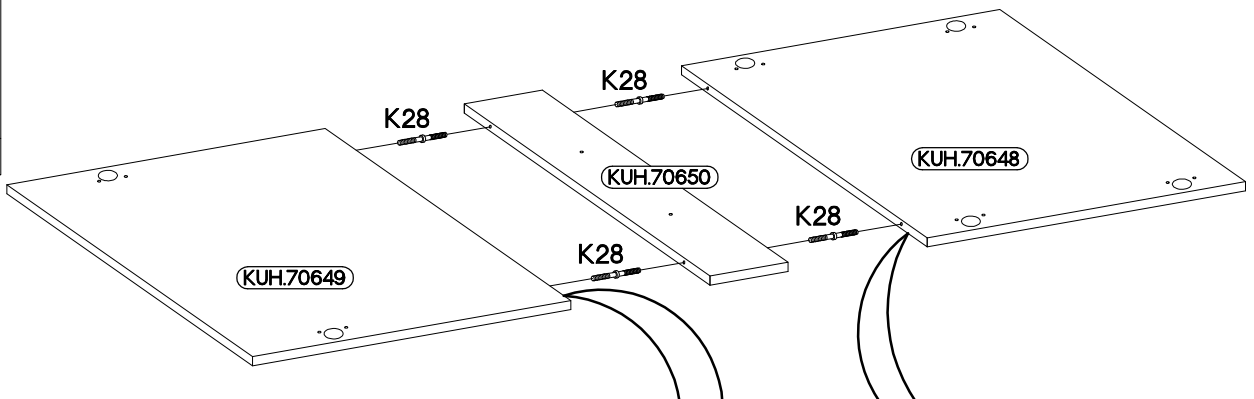
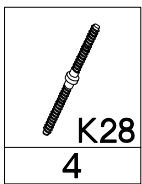
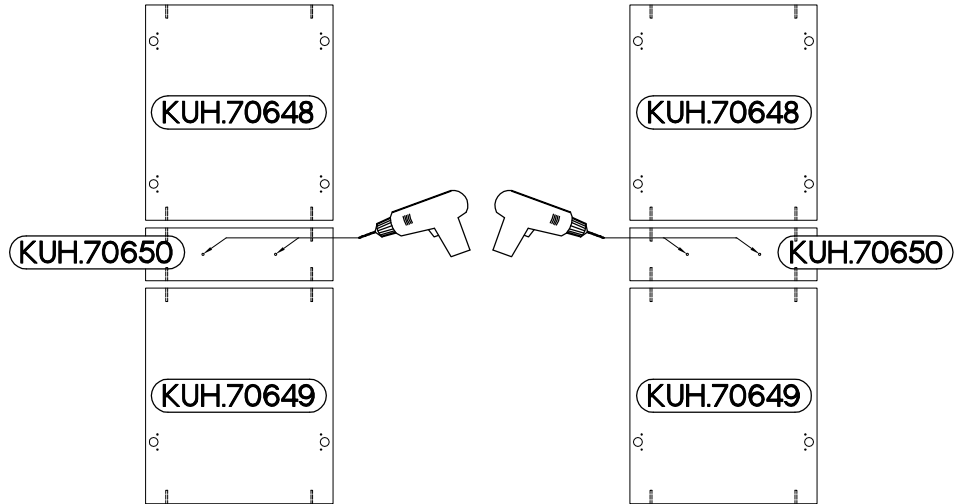
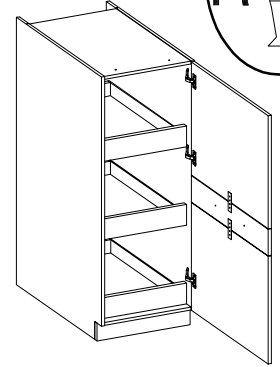
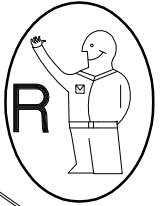
| Ersatzteil Nummer | Dimension |
|-------------------|------------|
| KUH.10648 | 496x598x16 |
| KUH.10650 | 496x140x16 |
| KUH.40649 | 496x570x16 |



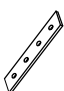

LEFT

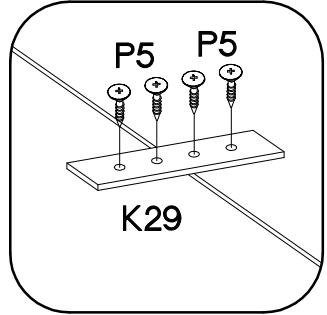
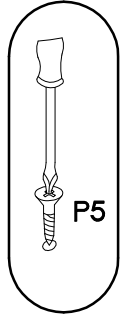
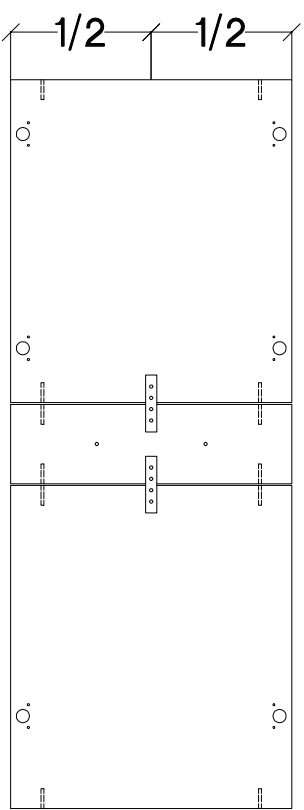
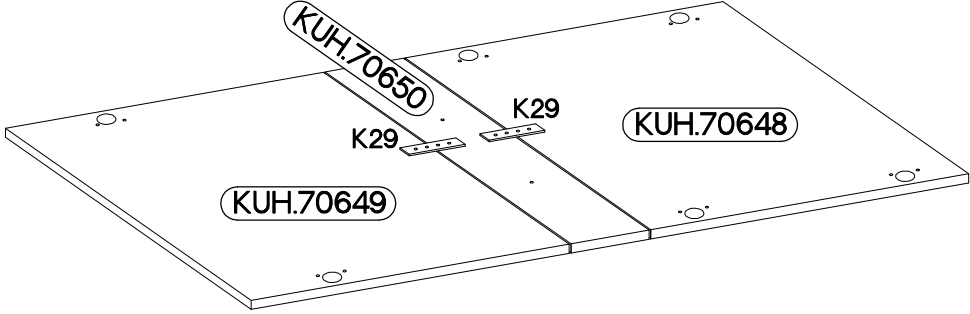


RIGHT

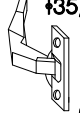

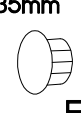


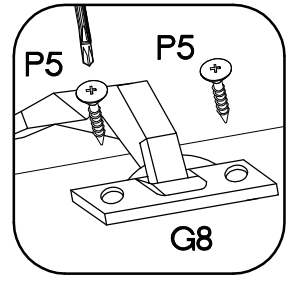
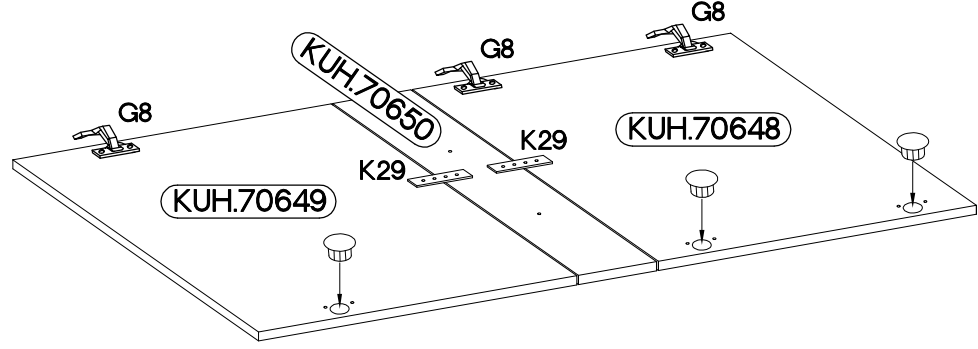
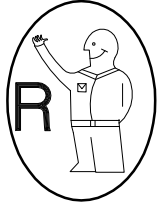
13

| | | |
|--|-----------|--|
|  | ±3.5x13mm |  |
| K29 | | P5 |
| 2 | | 8 |



14

| | | | | | |
|---|---------|-----------|---|-------|---|
|  | ±35/155 | ±3.5x13mm |  | ±35mm |  |
| G8 | | | P5 | | E5 |
| 3 | | | 6 | | 3 |



VARIANT HIGH GLOSS

