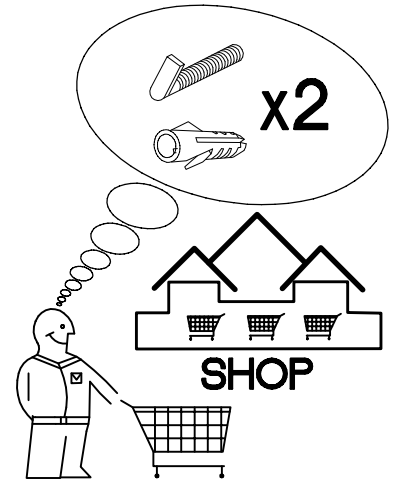
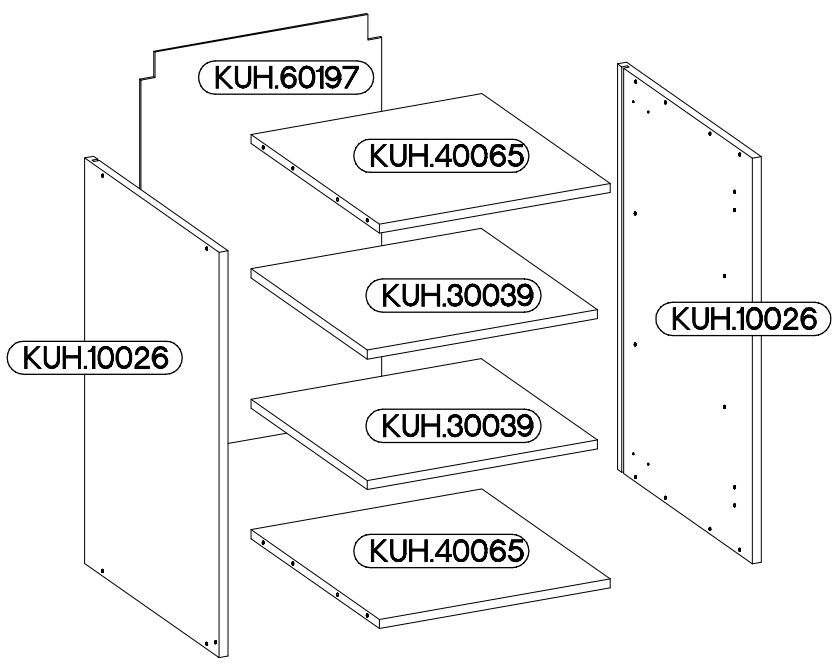
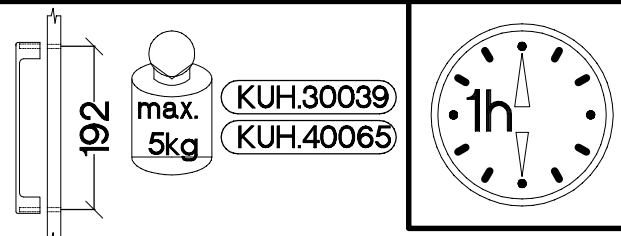
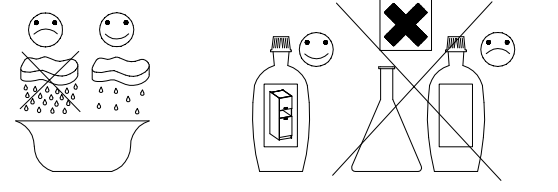
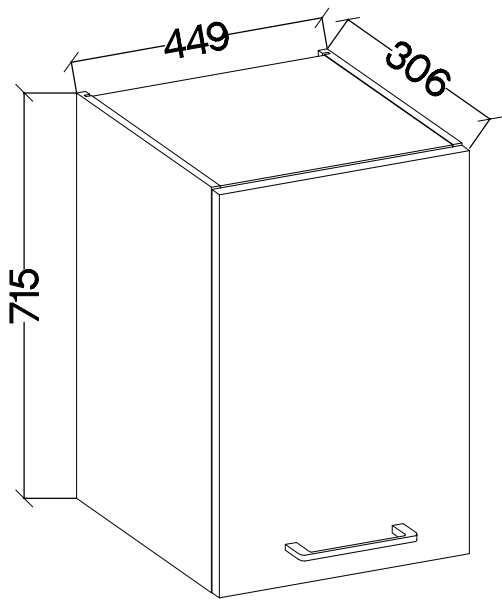
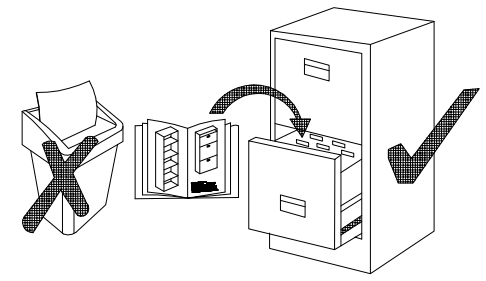


45 G-72 1F

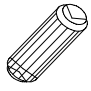

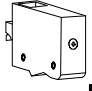


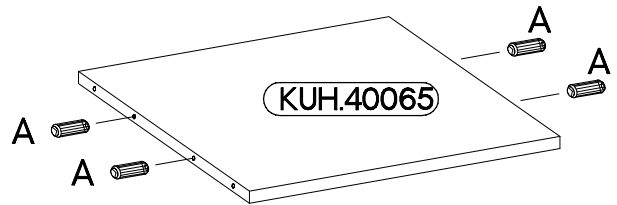
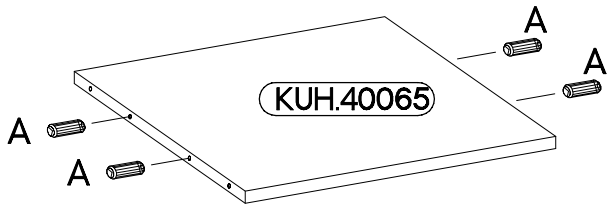
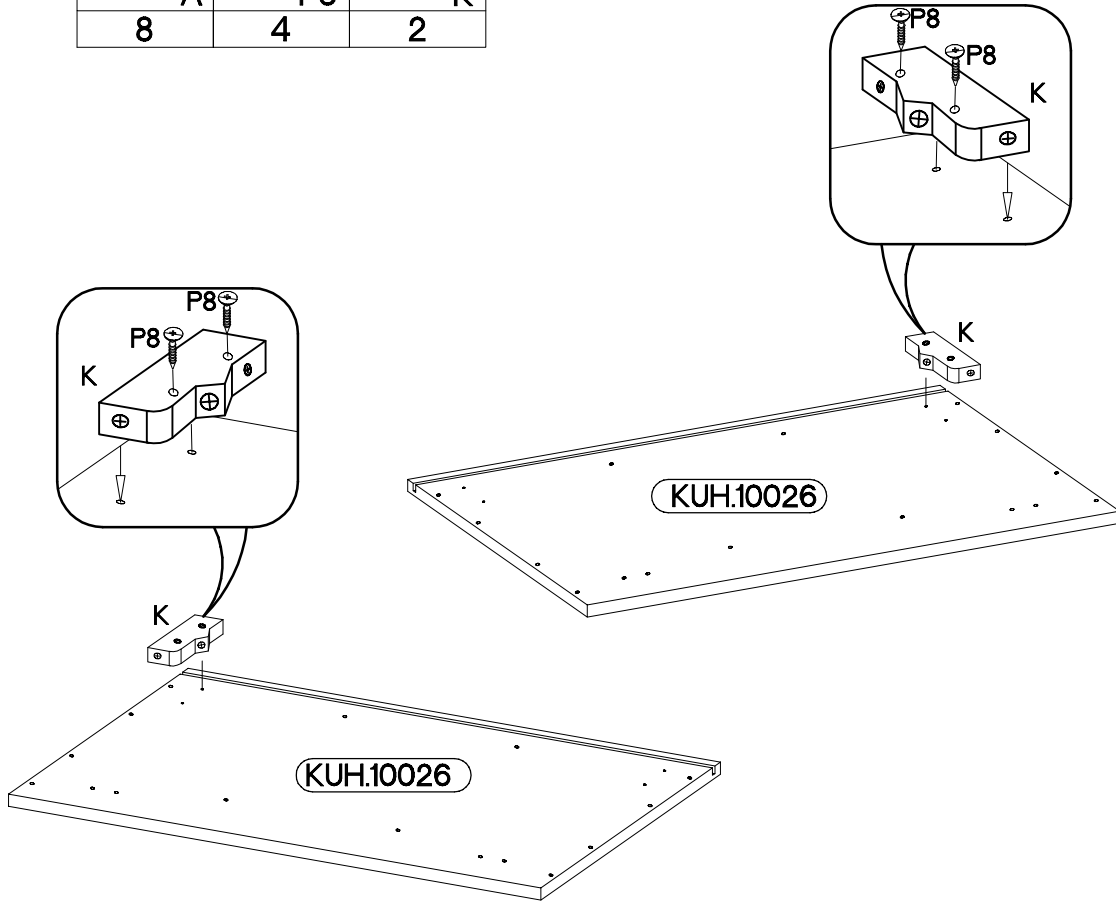
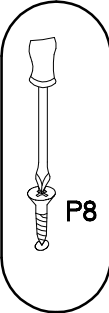
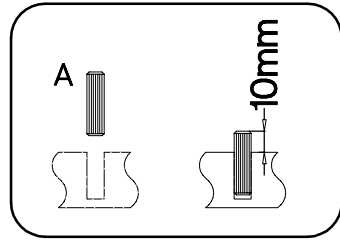
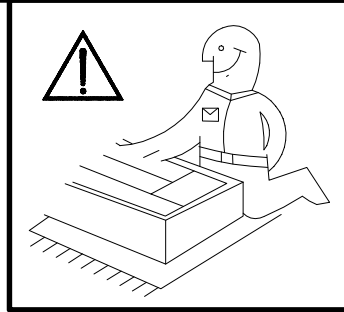
 <b>†8x30mm</b> <b>A</b> 8	 <b>6,4 x 50mm</b> <b>B</b> 8	 <b>E1</b> 8	 <b>†35/0mm</b> <b>HG</b> 2	 <b>†5/19mm</b> <b>J</b> 8	 <b>K</b> 2
 <b>O</b> 1	 <b>†3.5x13mm</b> <b>P5</b> 4	 <b>†3.0x20mm</b> <b>P7</b> 8-10	 <b>†4.0x30mm</b> <b>P8</b> 4	 <b>†4.0x30mm</b> <b>R2</b> 2	 <b>S15</b> 1



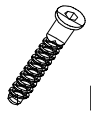
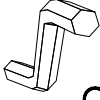

ISM-KUH-00967

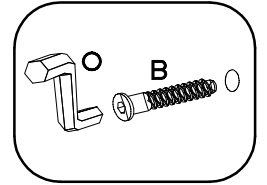
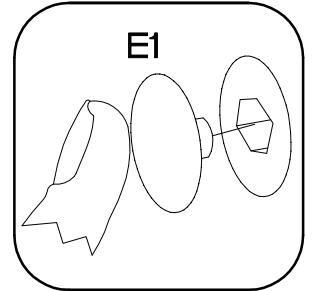
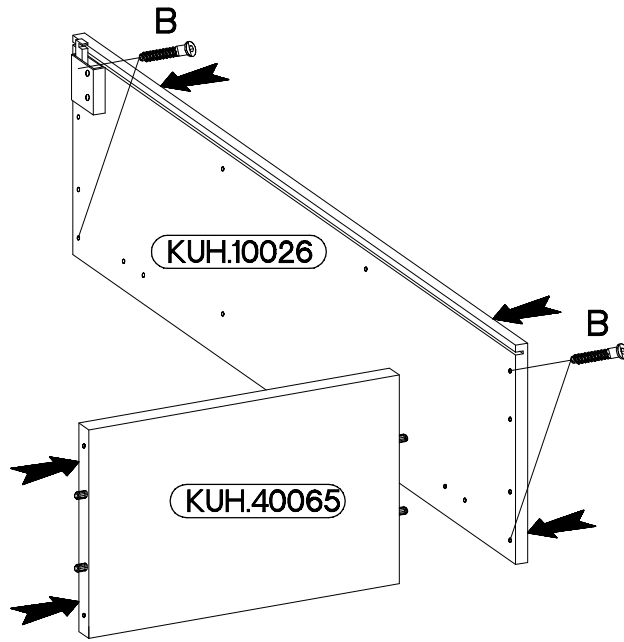
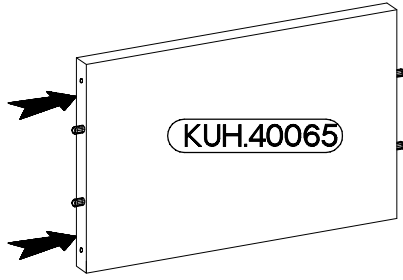
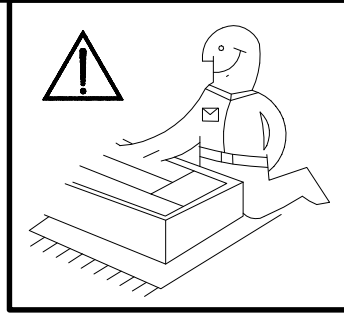
1

 +8x30mm A	 +4.0x30mm P8	 K
8	4	2


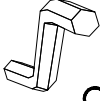



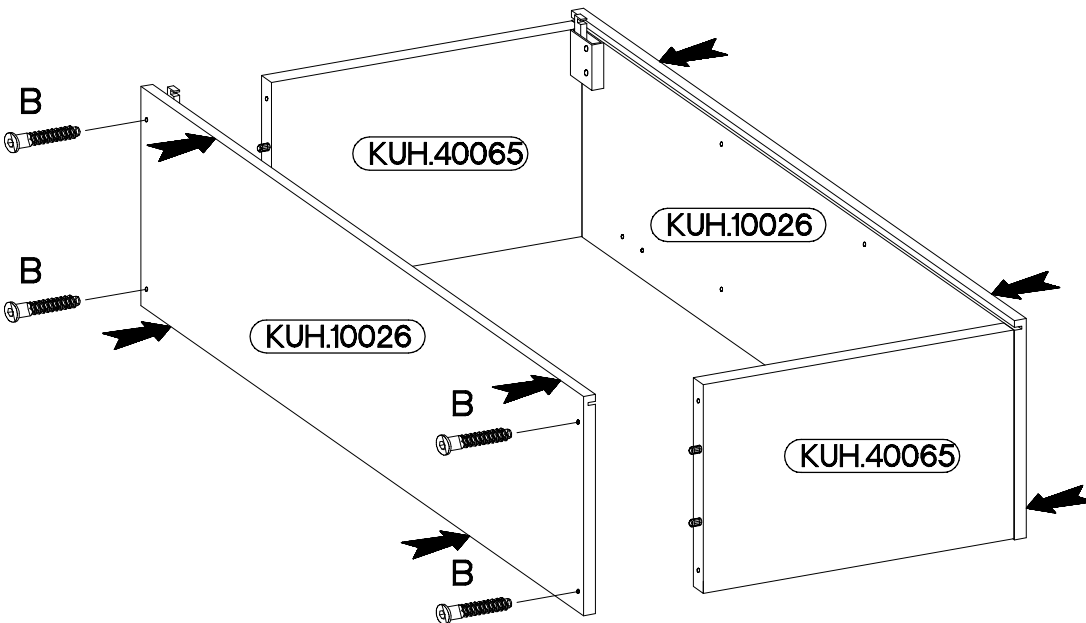
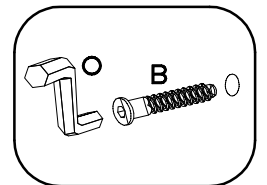
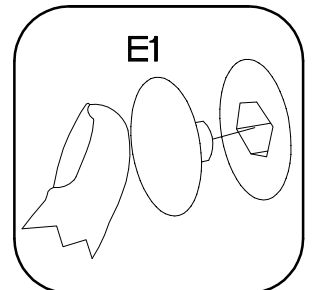
2

6,4 x 50mm		
		
<b>B</b>	<b>O</b>	<b>E1</b>
4	1	4

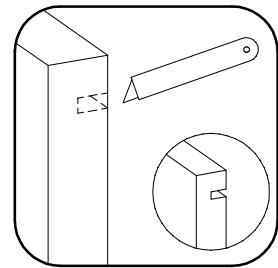
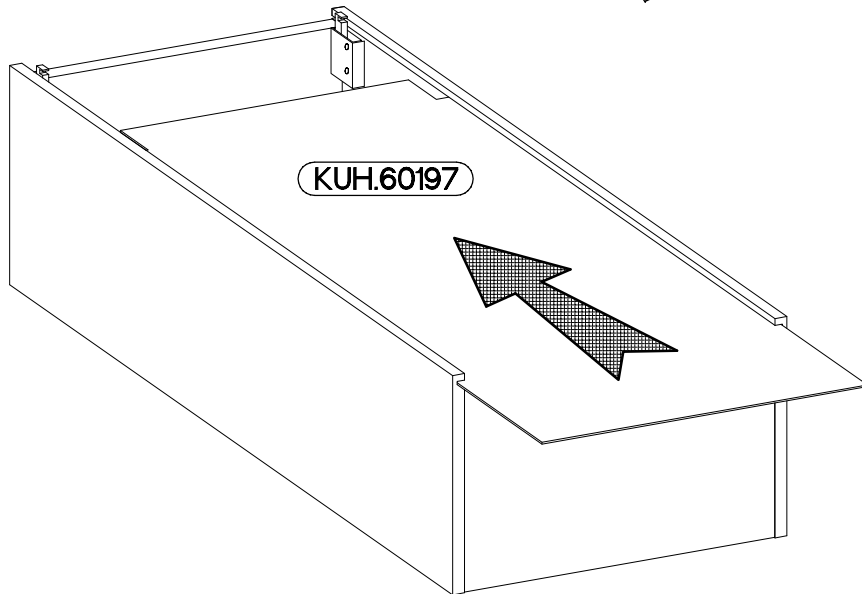
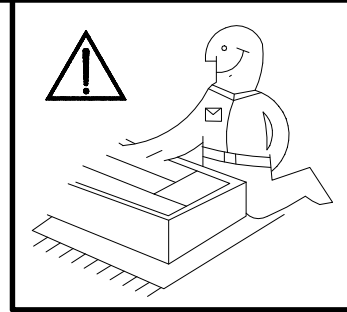
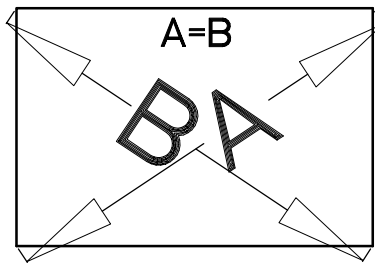


3

6,4 x 50mm		
		
<b>B</b>	<b>O</b>	<b>E1</b>
4	1	4

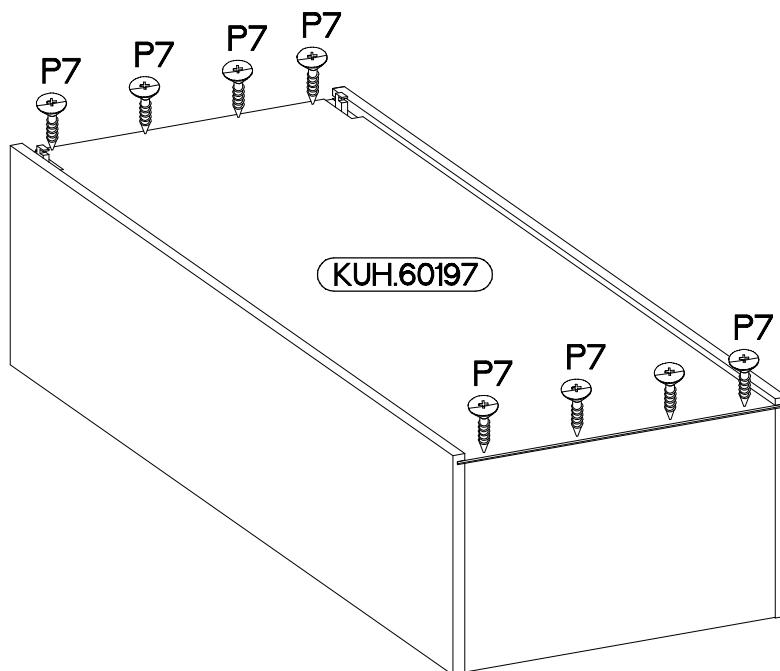
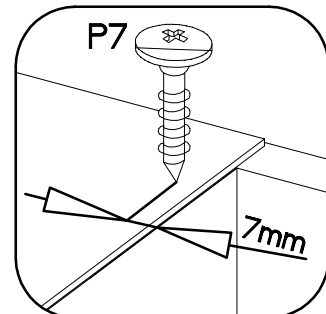
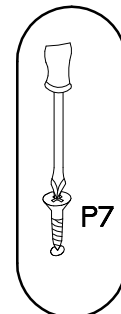


4

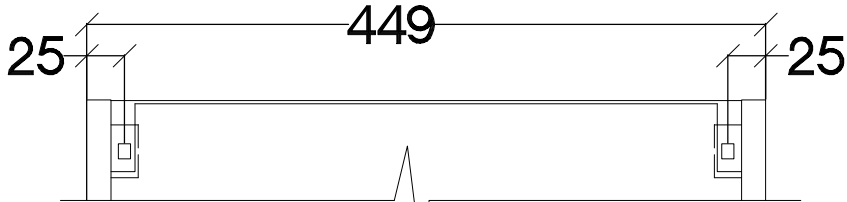
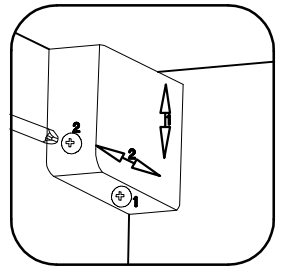
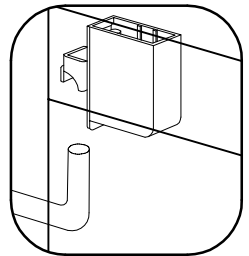
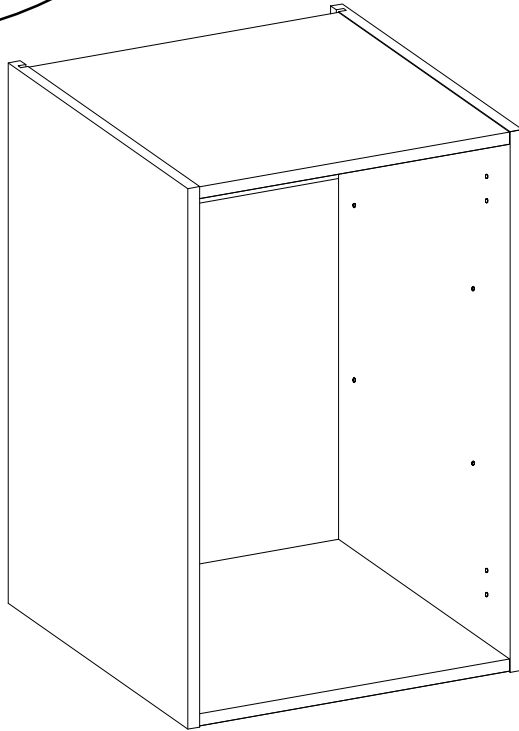
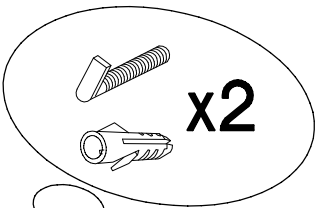
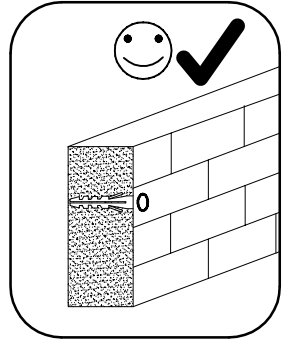
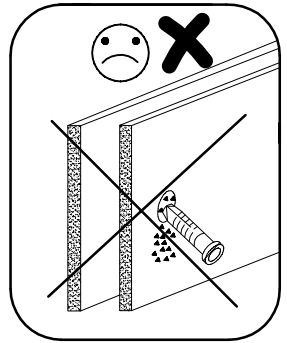
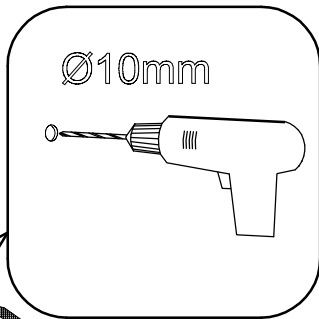
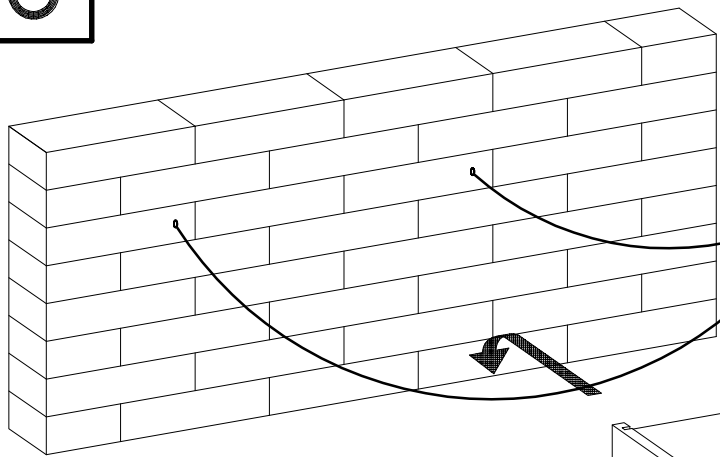


5

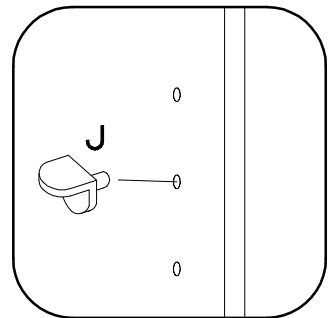
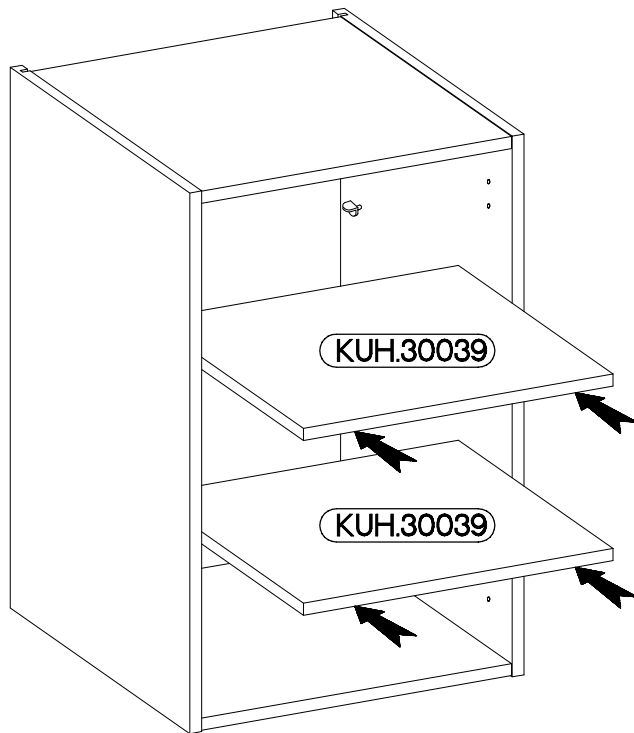
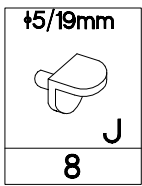
±3.0x20mm  
P7  
8-10



6

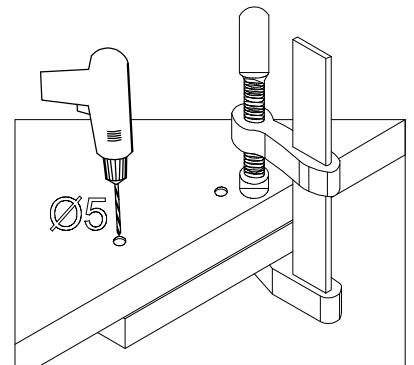
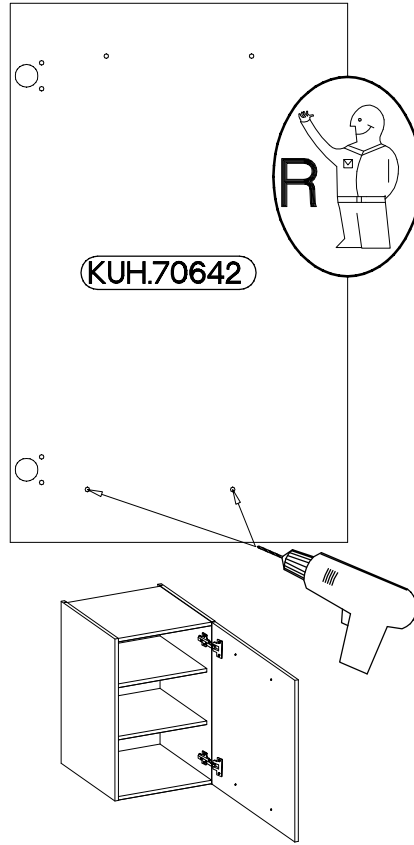
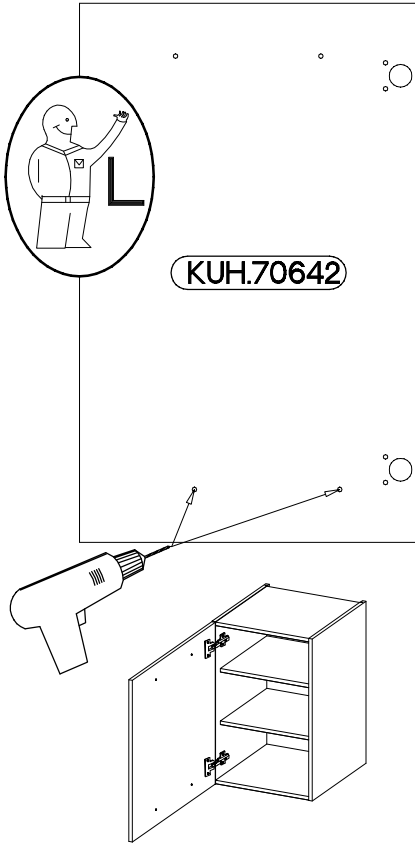
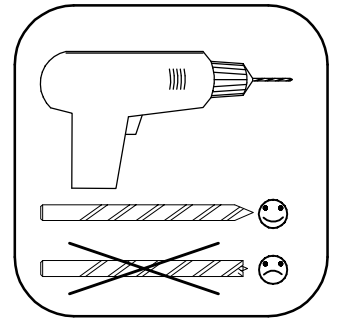




7

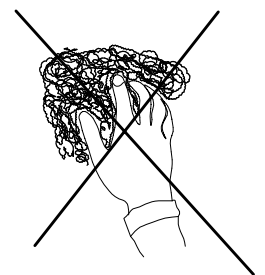
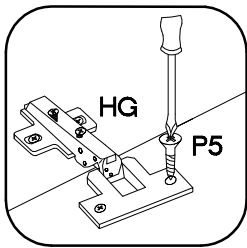
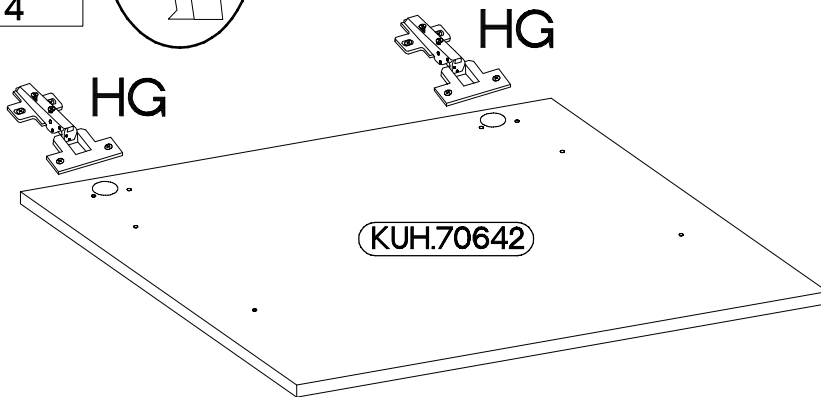
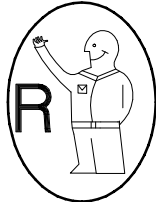


LEFT

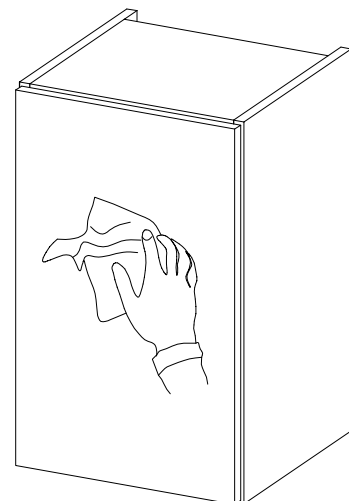
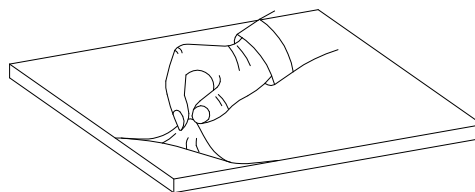
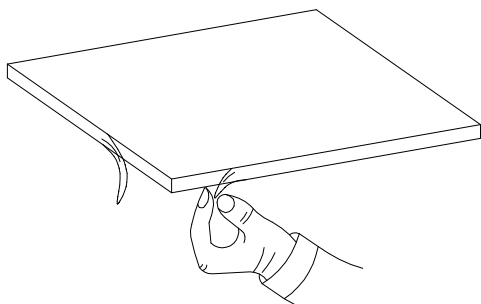
RIGHT





 †35/0mm HG 2	 †3.5x13mm P5 4
---	---



VARIANT HIGH GLOSS



4.0x30mm		
	R2	S15
	2	1

