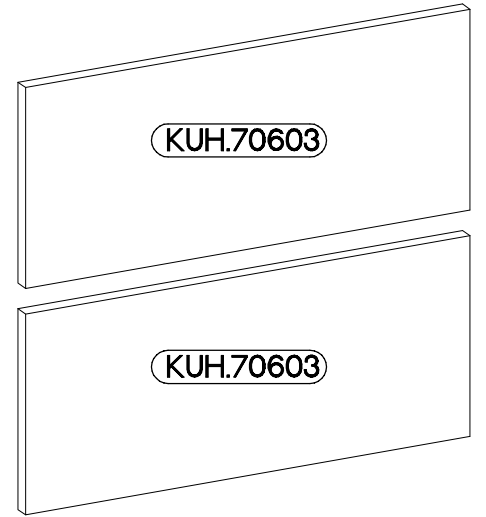
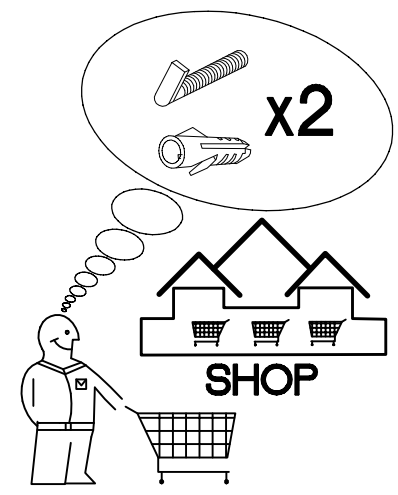
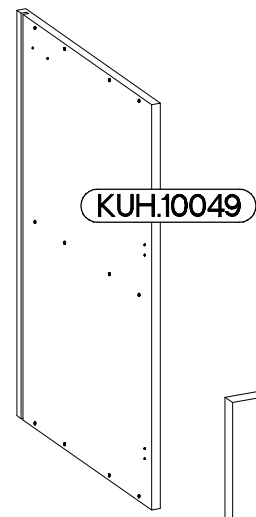
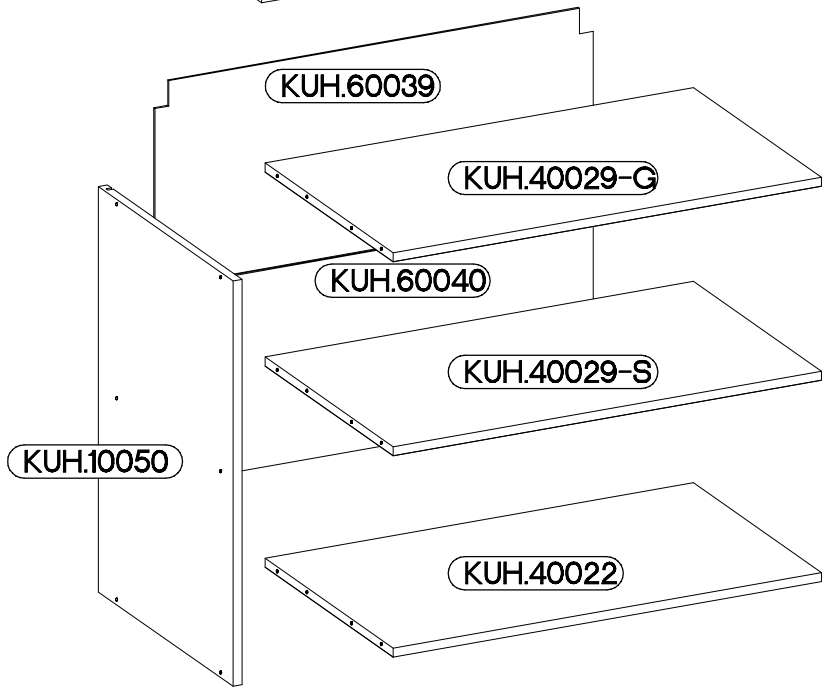
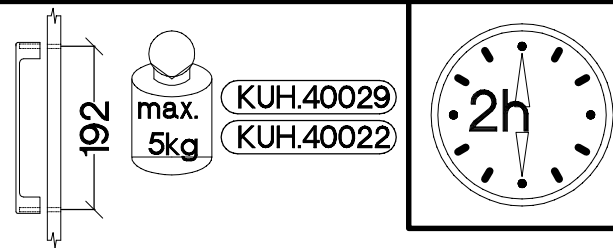
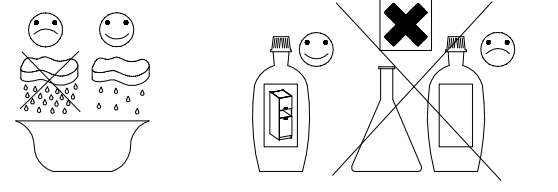
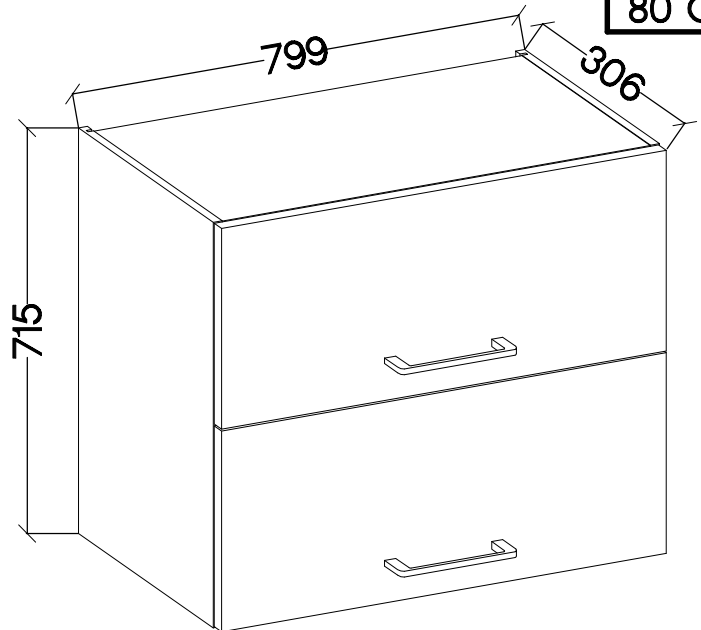
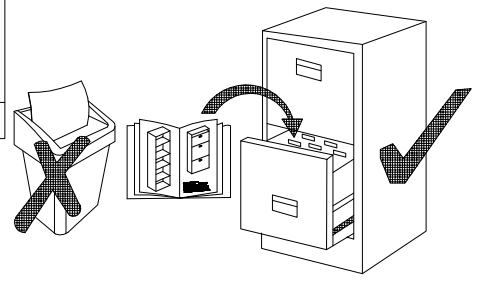


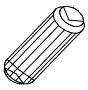
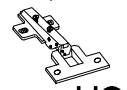

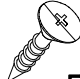
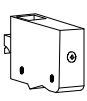
80 GU-72 2F

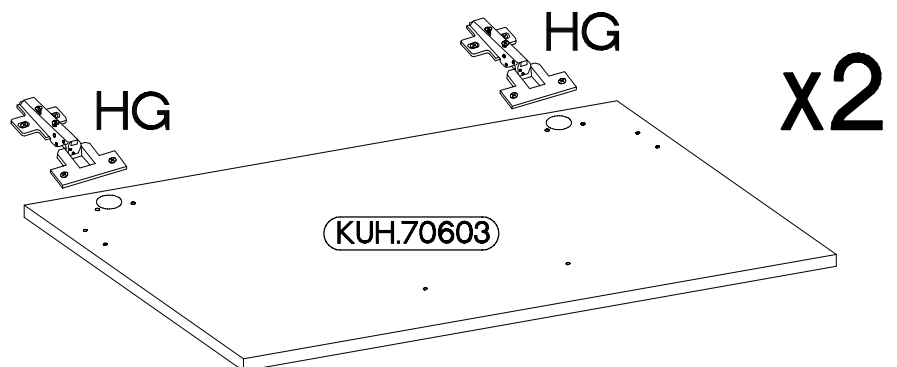
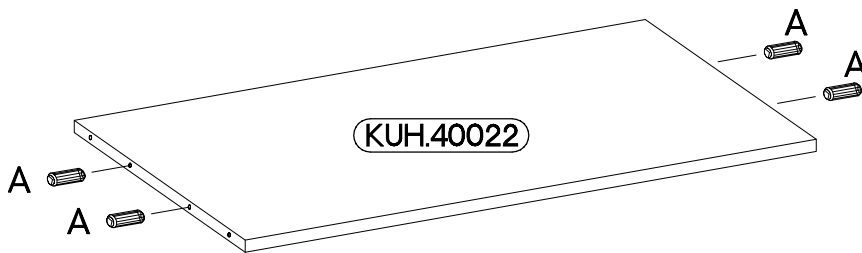
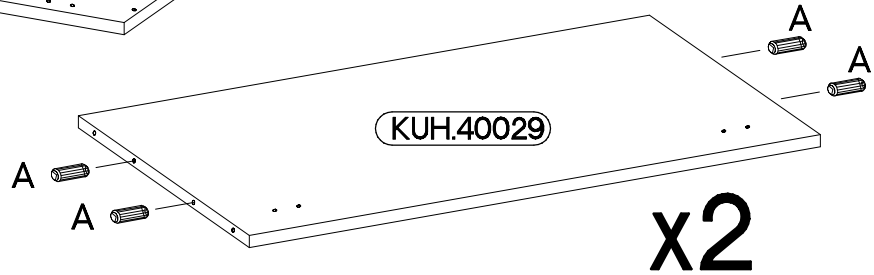
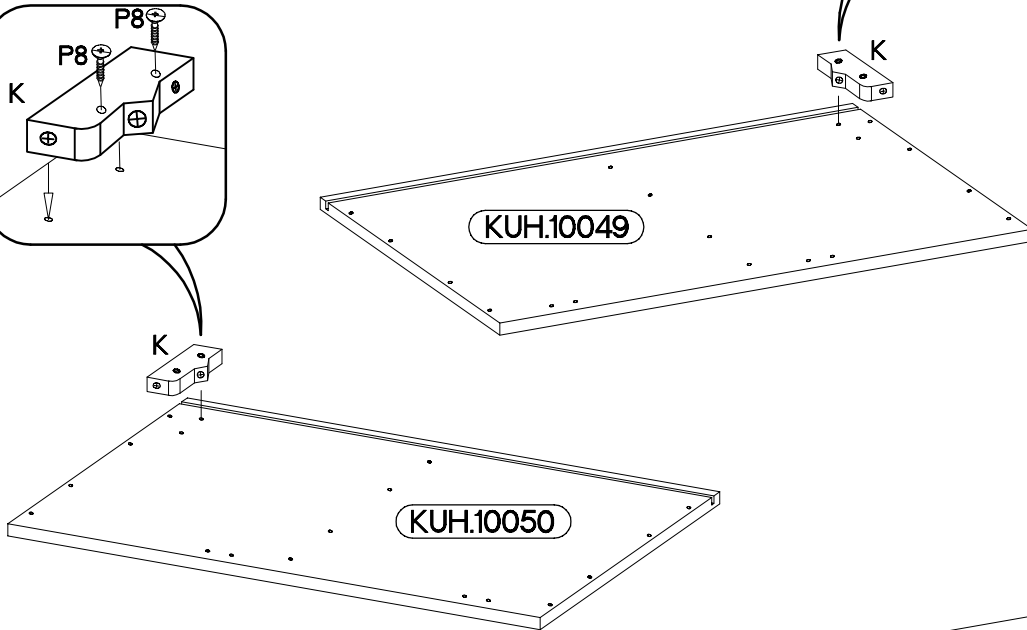
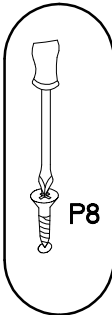
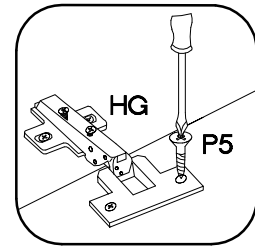
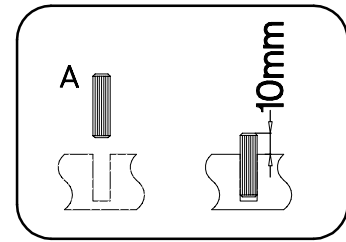
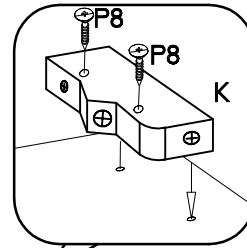
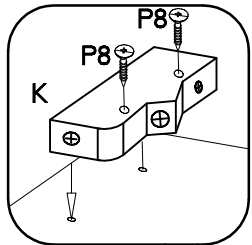
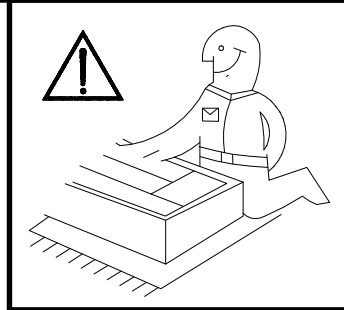


 A 12	 B 12	 E1 12	 HG 4	 J5 4	 K 2	 K24 4
 L2 5	 O 1	 P5 8	 P7 10-15	 P8 4	 R2 4	 S15 2



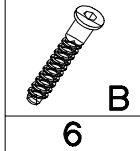
ISM-KUH-00994

±8x30mm  A 12	±35/0mm  HG 4	±3.5x13mm  P5 8	±4.0x30mm  P8 4	 K 2
--------------------------------------------------------------------------------------------------------	--------------------------------------------------------------------------------------------------------	----------------------------------------------------------------------------------------------------------	----------------------------------------------------------------------------------------------------------	--------------------------------------------------------------------------------------------



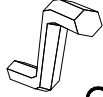
2

6,4 x 50mm



B

6



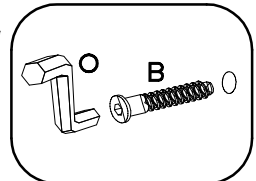
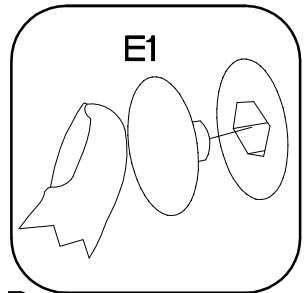
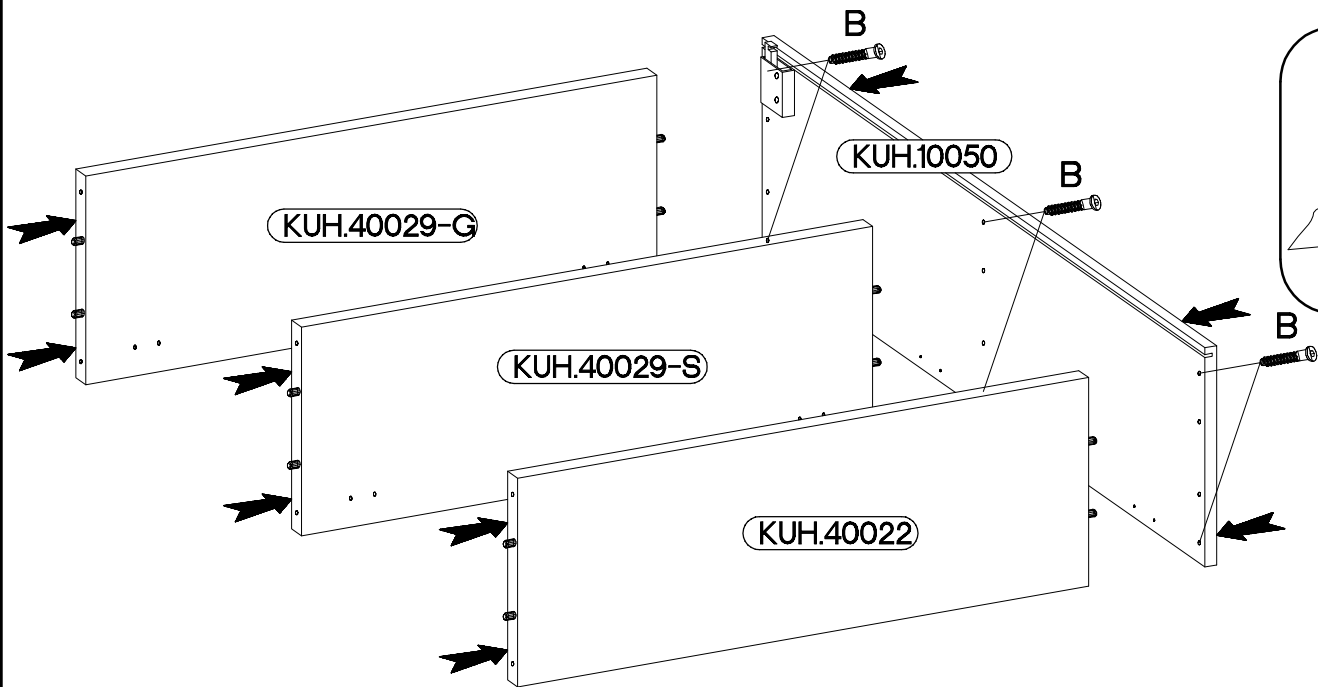
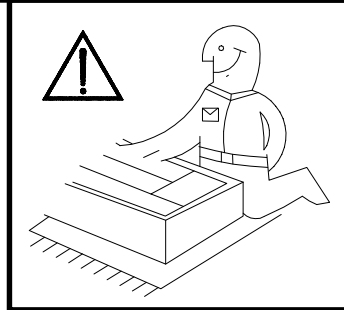
O

1



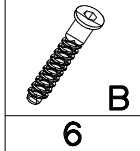
E1

6



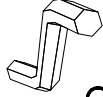
3

6,4 x 50mm



B

6



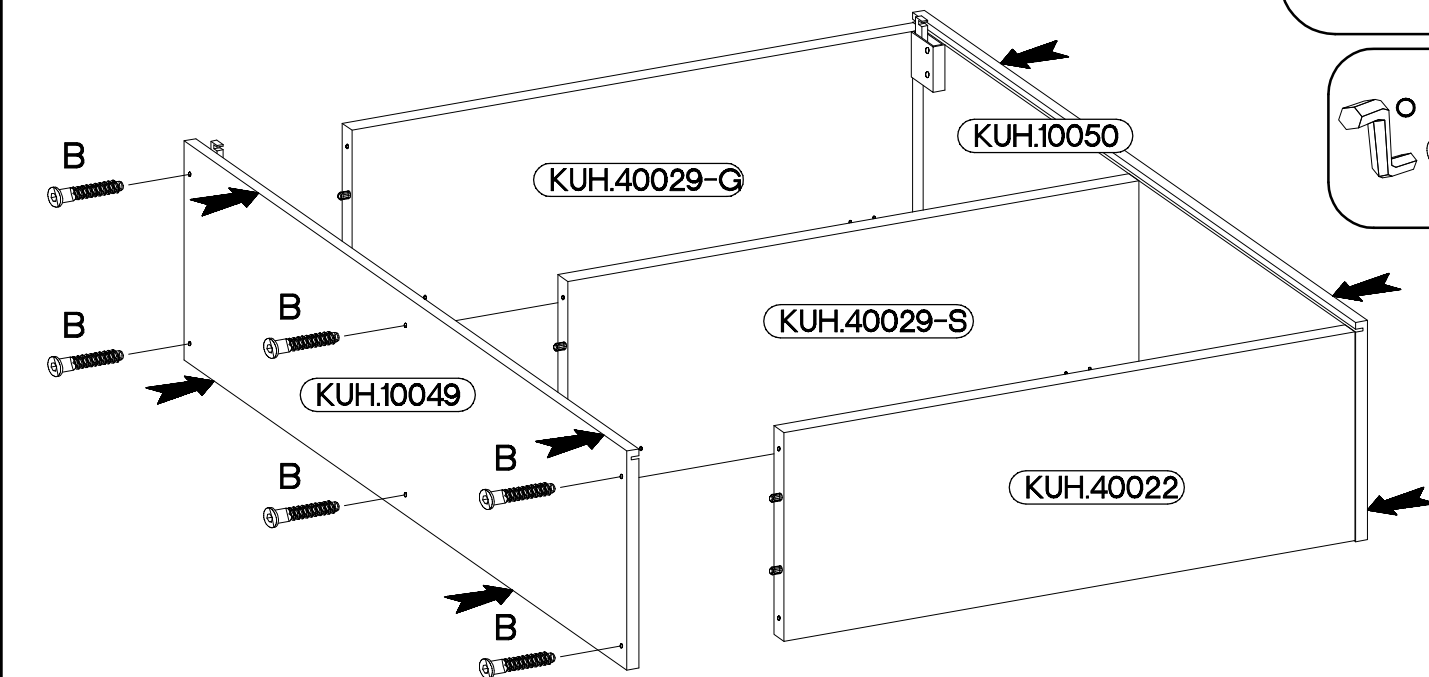
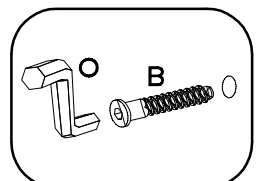
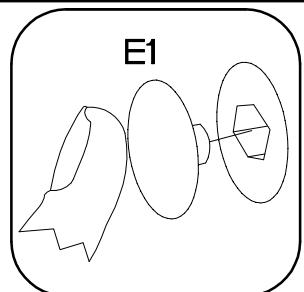
O

1

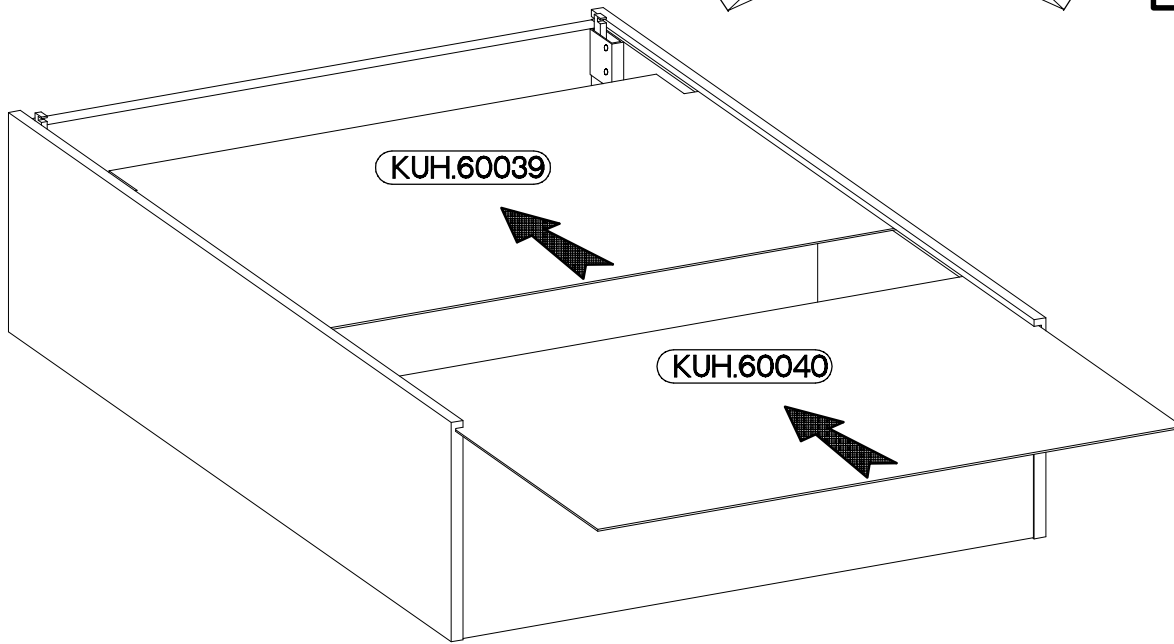
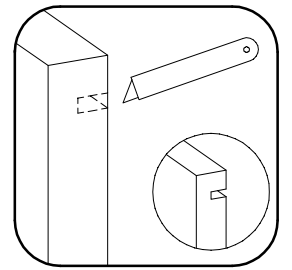
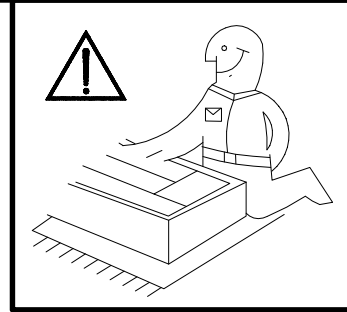
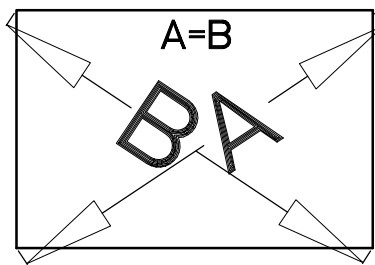


E1

6

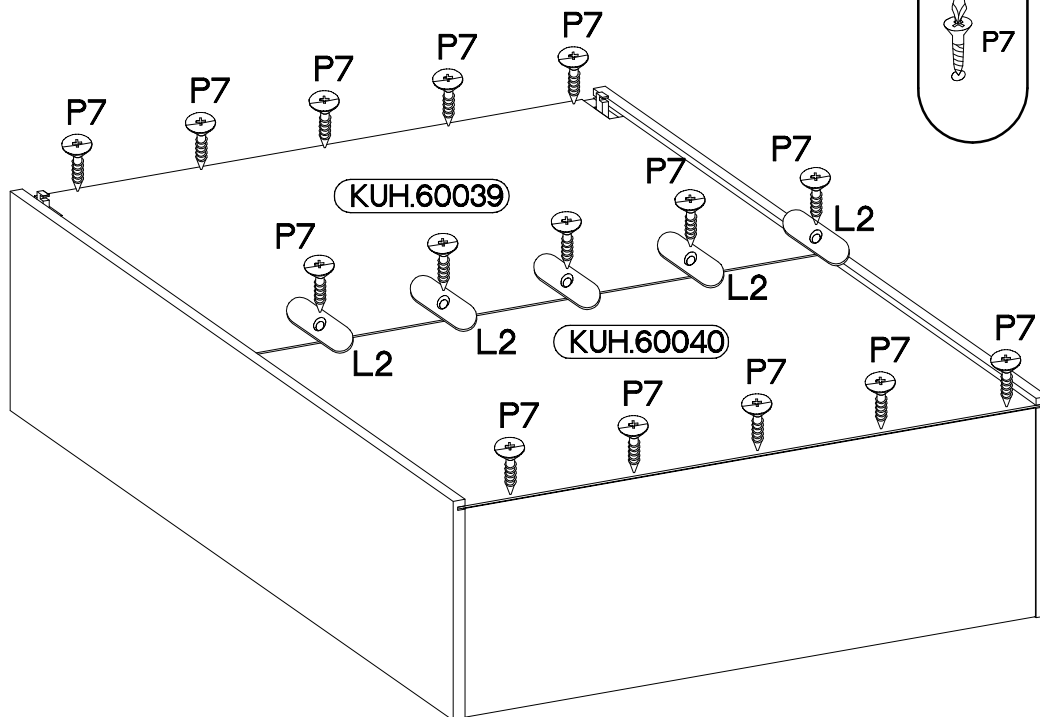
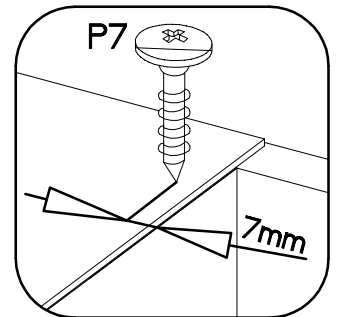
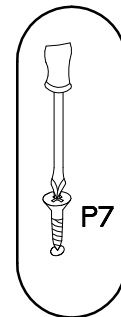


4

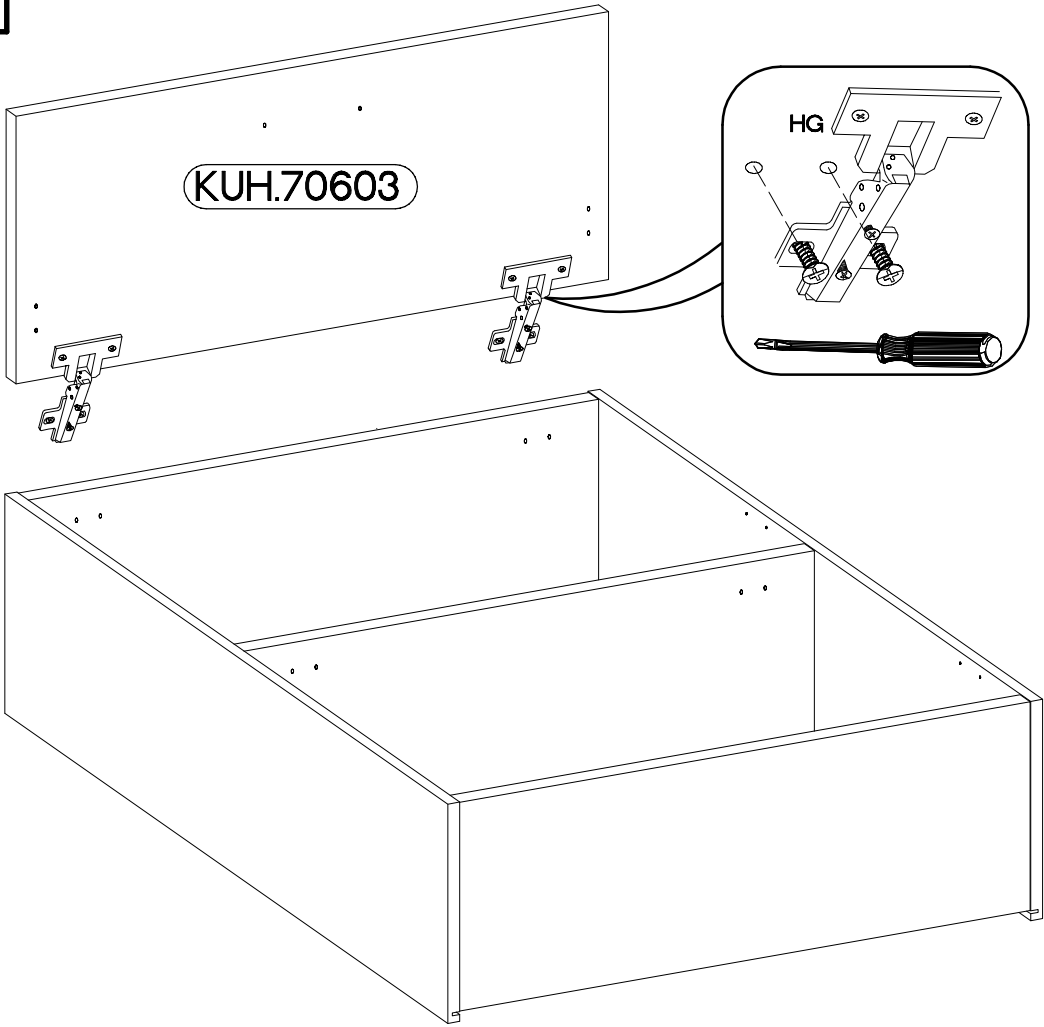
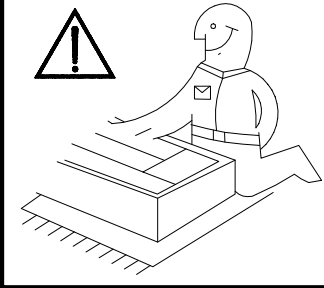


5

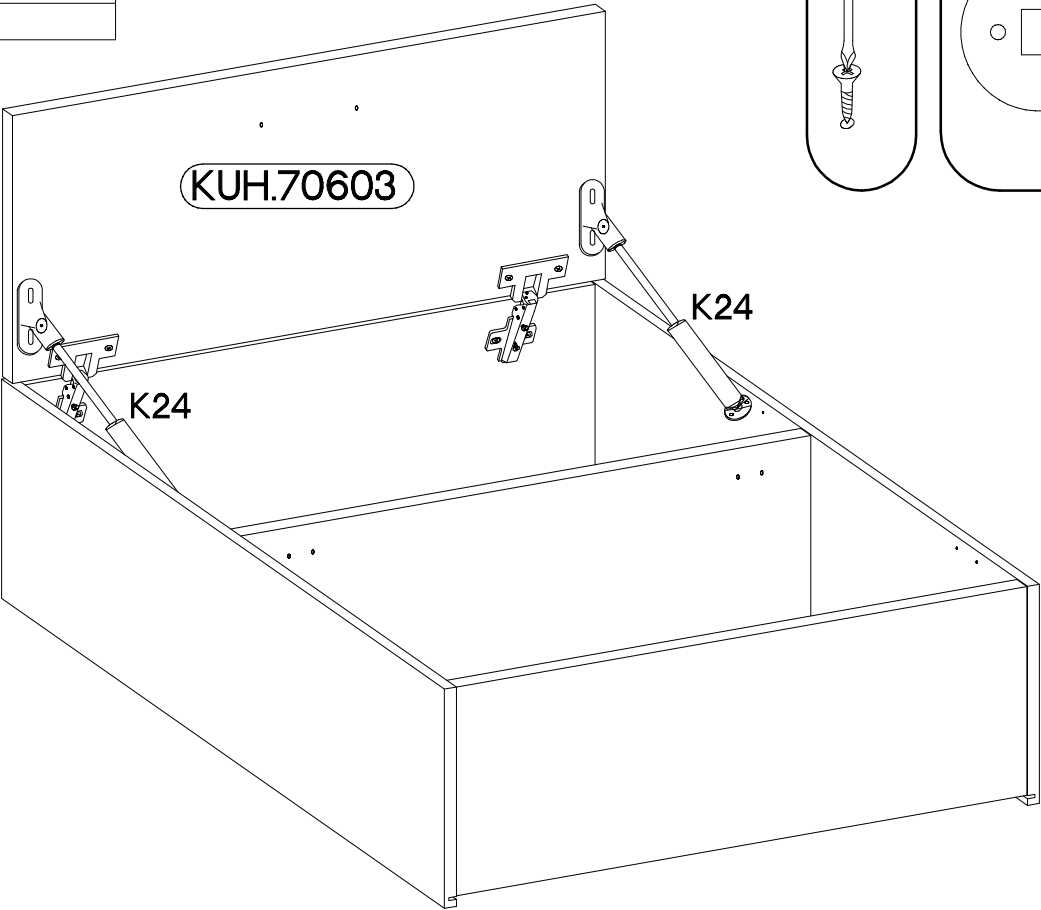
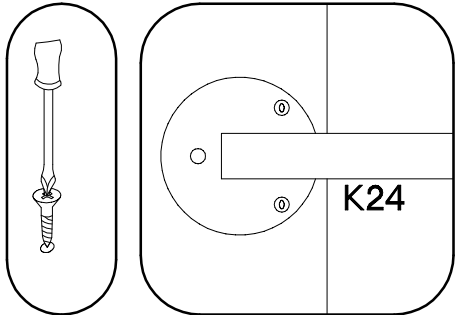
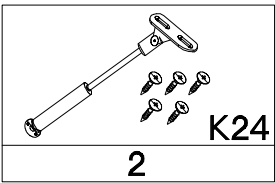
$\varnothing 3.0 \times 20 \text{mm}$ P7 10-15	 L2 5
-----------------------------------------------------------------	--------------------



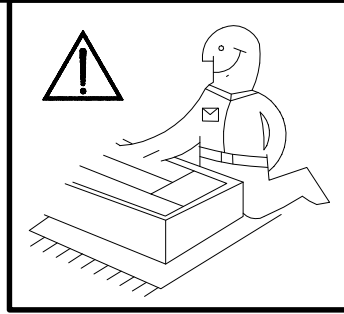
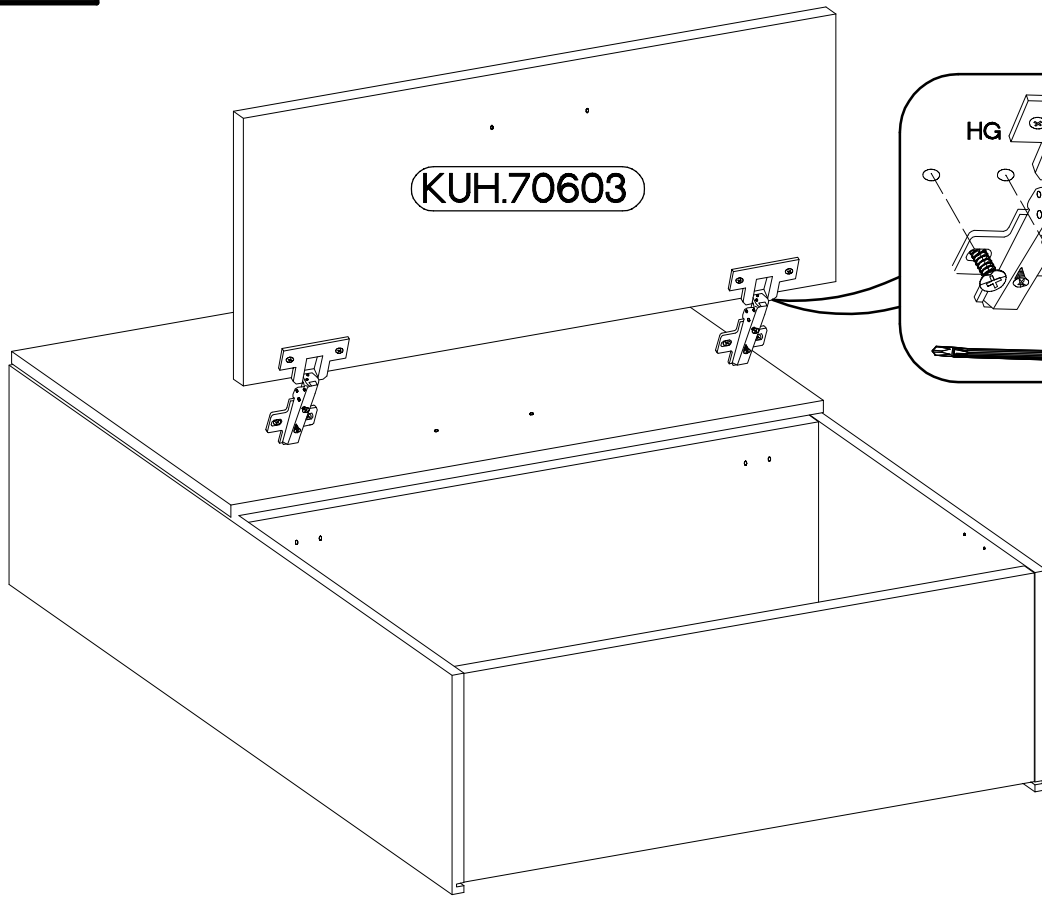
6



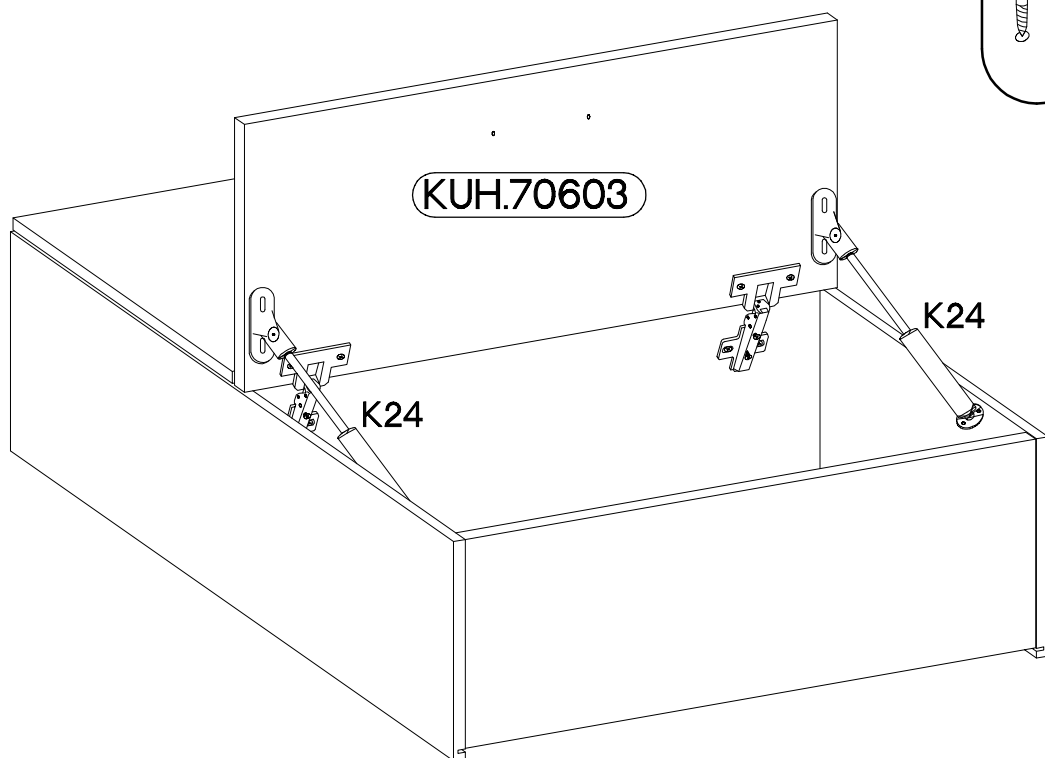
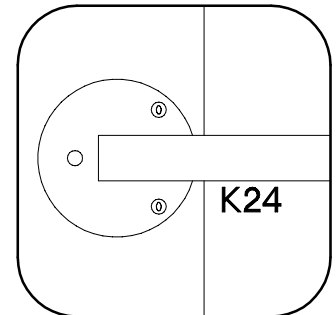
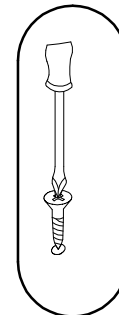
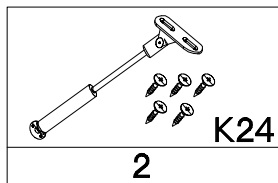
7


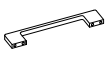



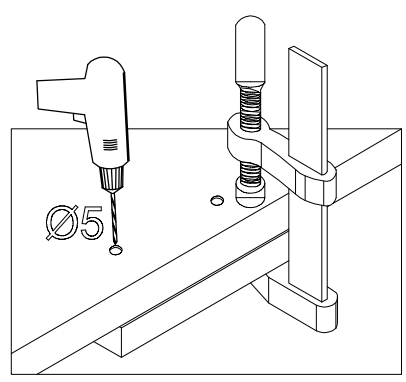
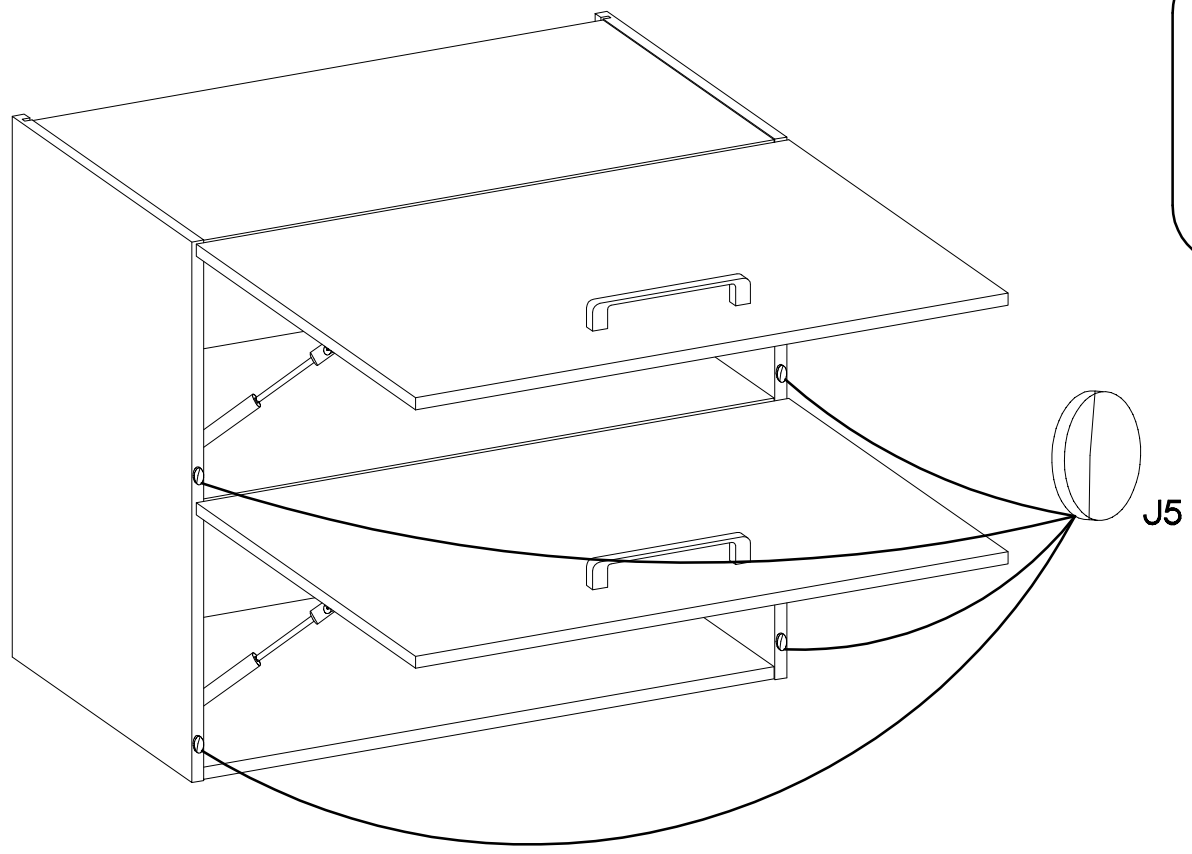
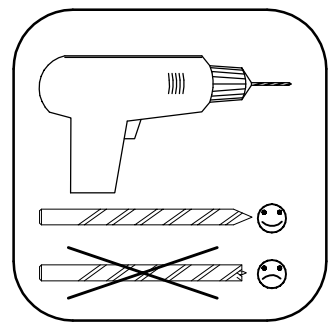
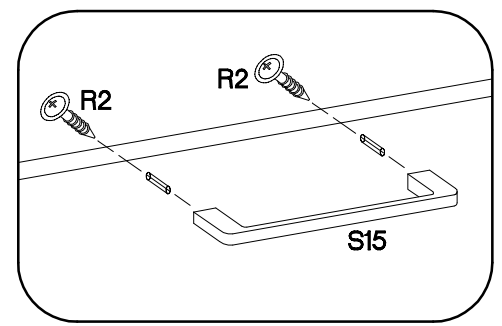
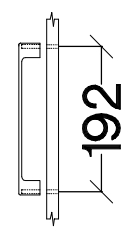
8



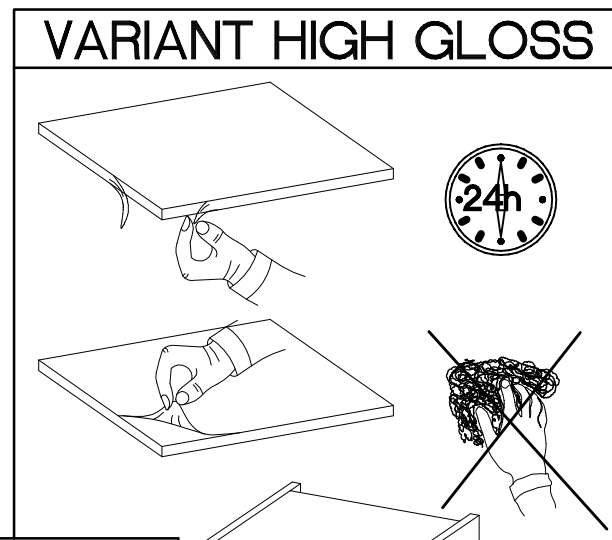
9



+4.0x30mm		
 R2	 S15	 J5
4	2	4



VARIANT HIGH GLOSS



24h

