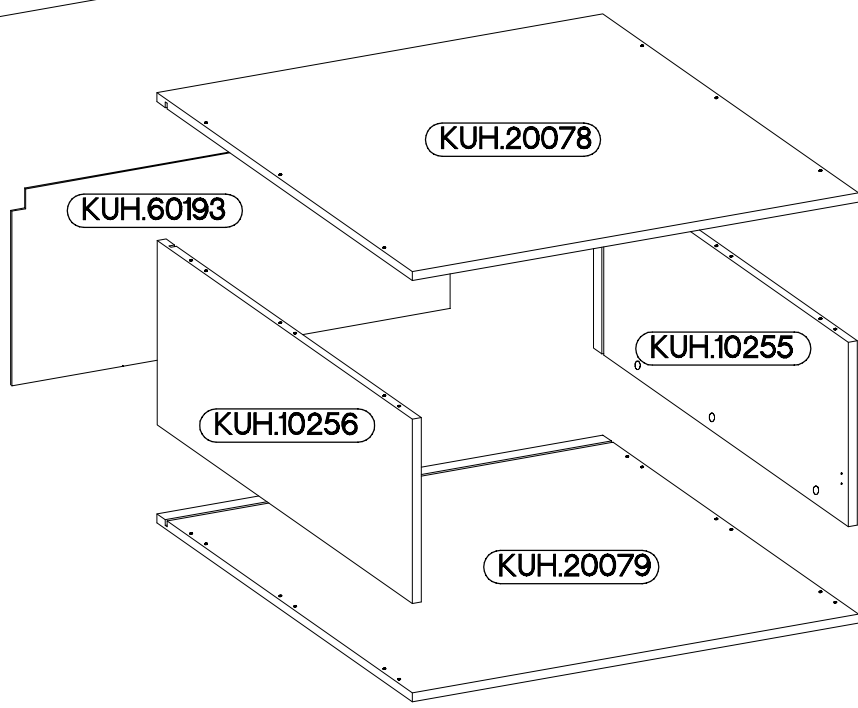
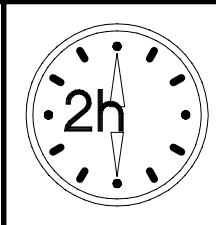
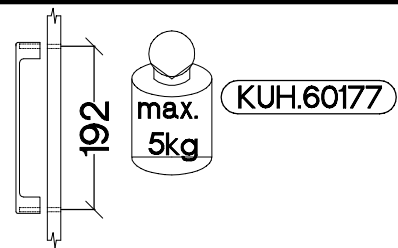
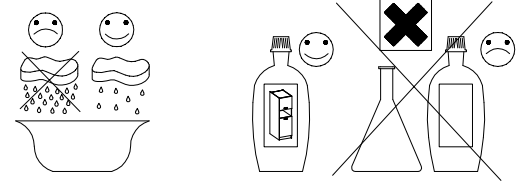
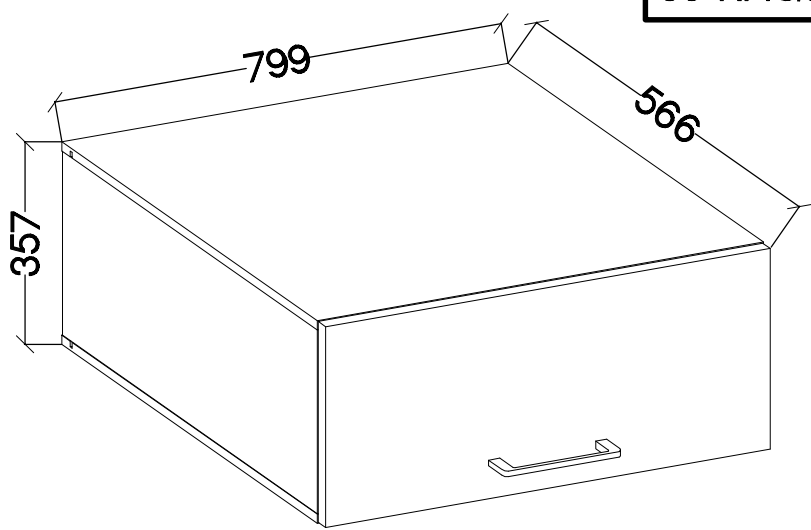


80 NAGU-36



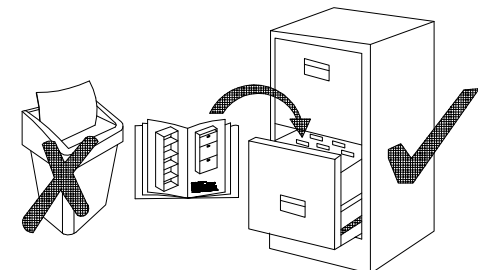
<p>±8x30mm</p> <p>A</p>	<p>6,4 x 50mm</p> <p>B</p>
-------------------------	----------------------------

<p>12</p> <p>C</p>	<p>6</p> <p>D2</p>
--------------------	--------------------

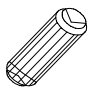
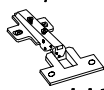

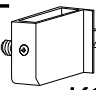
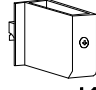
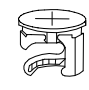

<p>K24</p> <p>2</p>	<p>L</p> <p>6</p>
---------------------	-------------------

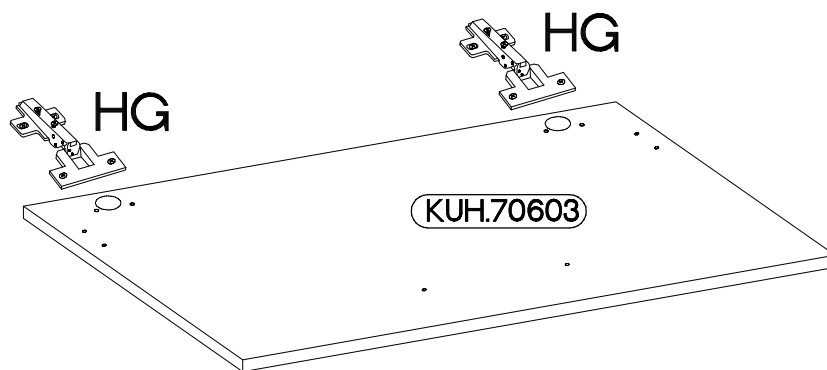
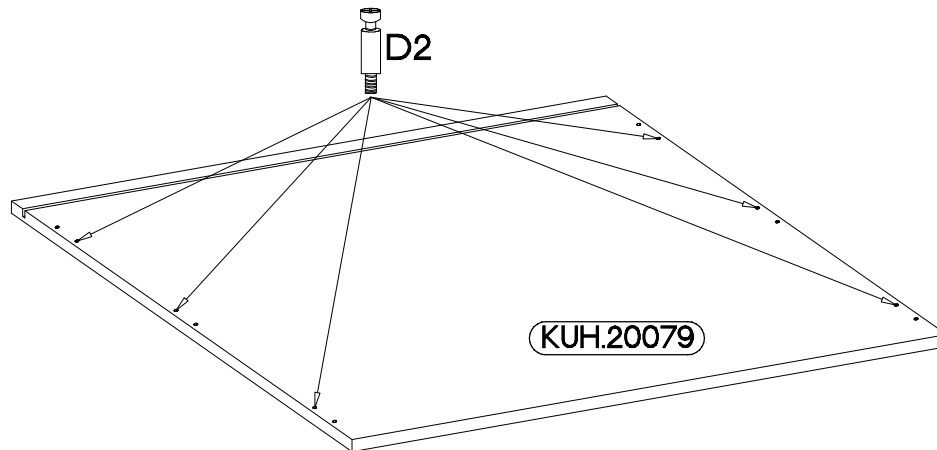
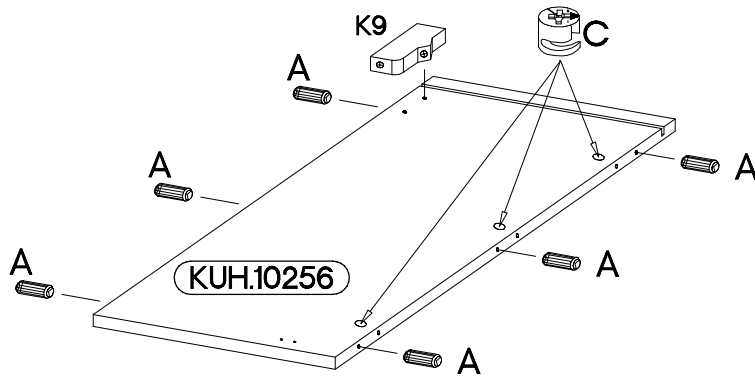
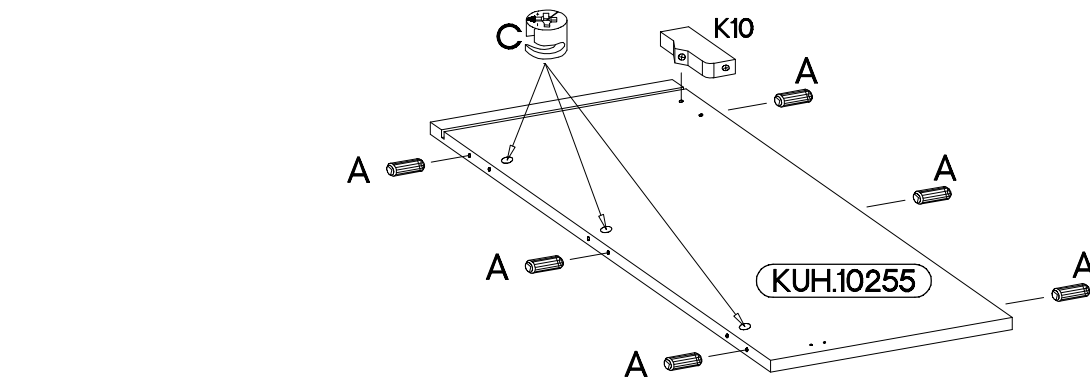
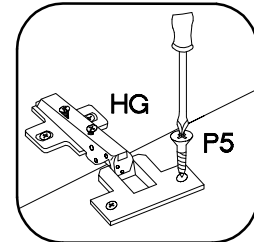
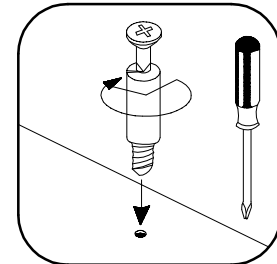
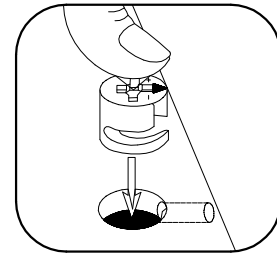
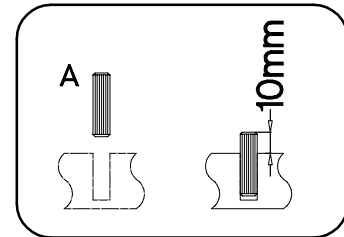
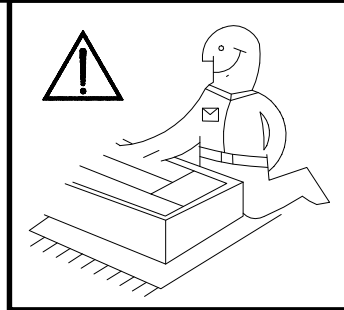
<p>E</p> <p>6</p>	<p>±35/0mm</p> <p>HG</p> <p>2</p>	<p>L</p> <p>K9</p> <p>1</p>	<p>R</p> <p>K10</p> <p>1</p>
-------------------	-----------------------------------	-----------------------------	------------------------------

<p>O</p> <p>1</p>	<p>±3.5x13mm</p> <p>P5</p> <p>4</p>	<p>±4.0x30mm</p> <p>R2</p> <p>2</p>	<p>S15</p> <p>1</p>
-------------------	-------------------------------------	-------------------------------------	---------------------

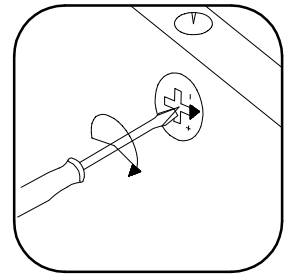
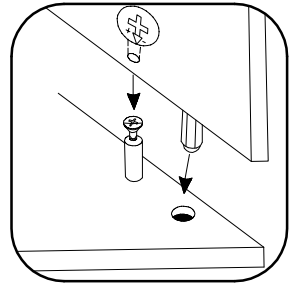
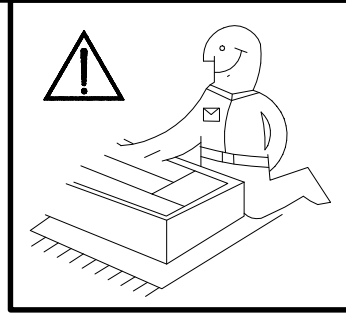
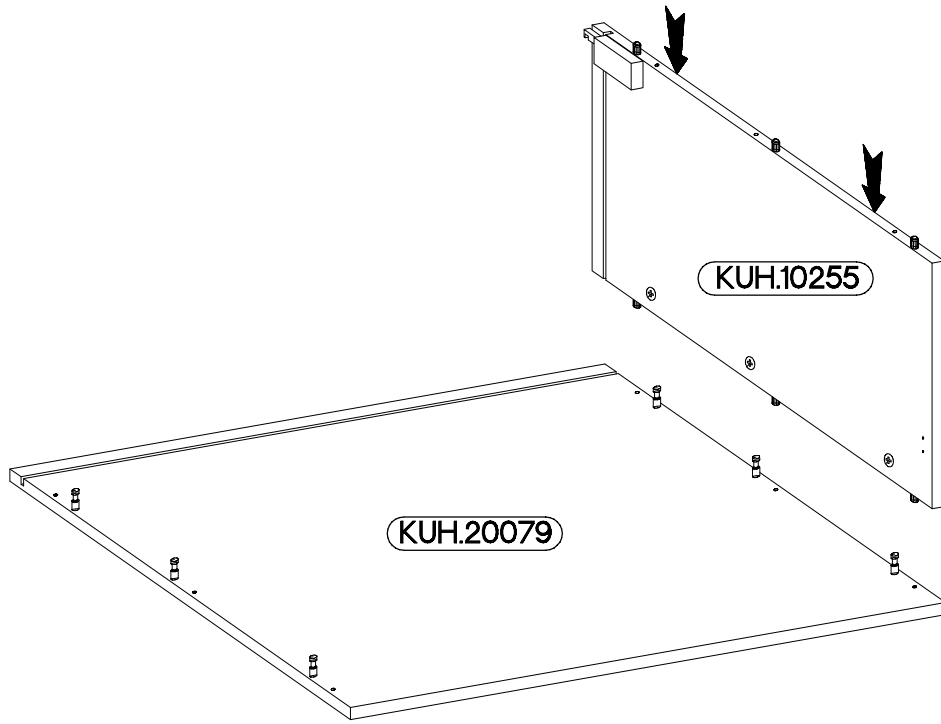


ISM-KUH-00958

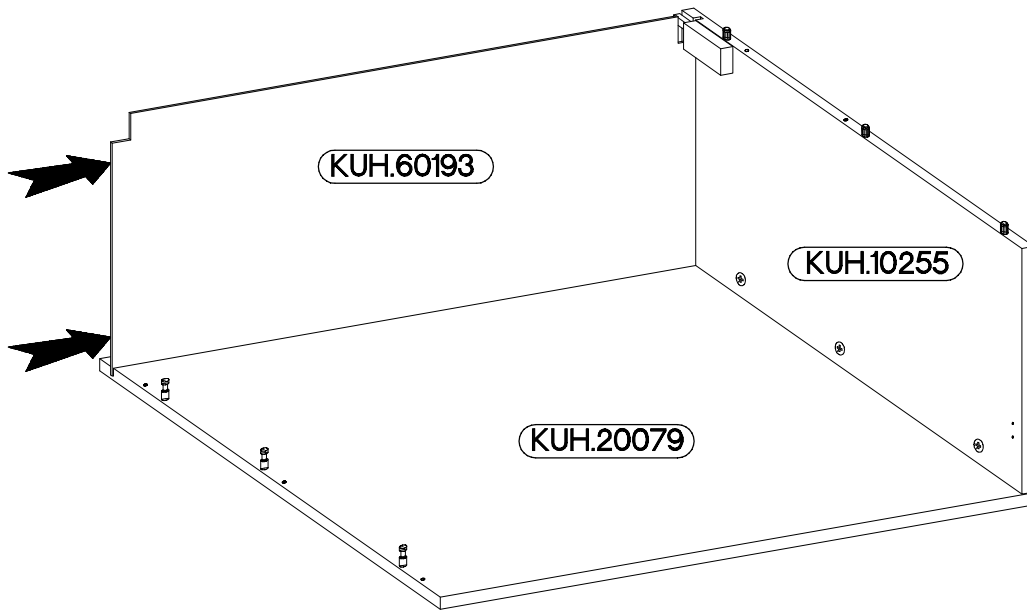
 A 12	 HG 2	 P5 4	 L 1	 R 1	 C 6	 D2 6
--	--	--	---	---	---	---



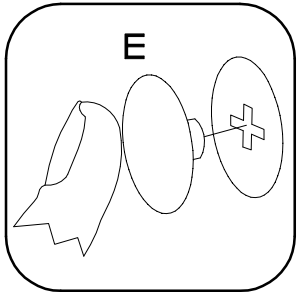
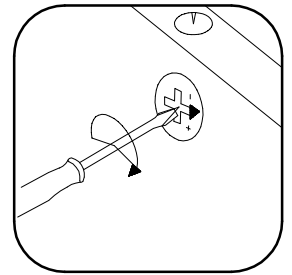
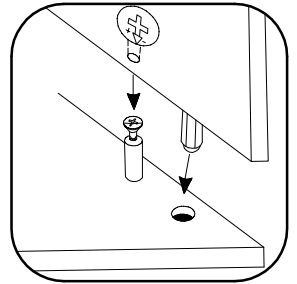
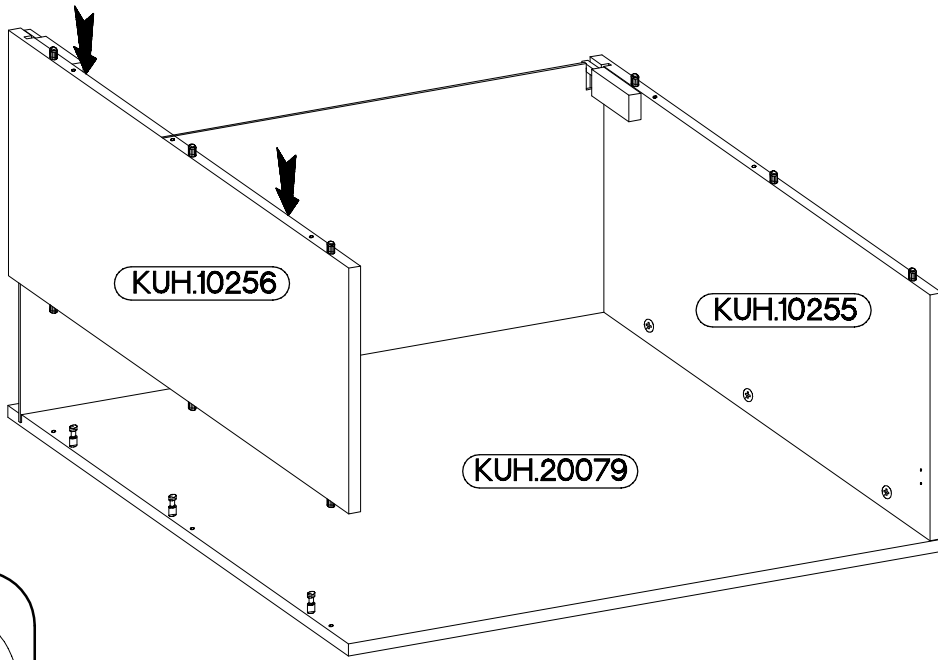
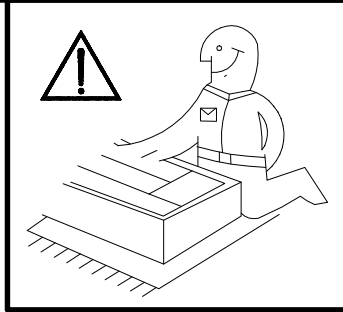
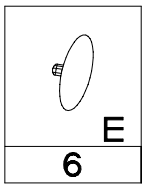
2



3



4



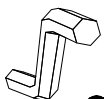
5

6,4 x 50mm



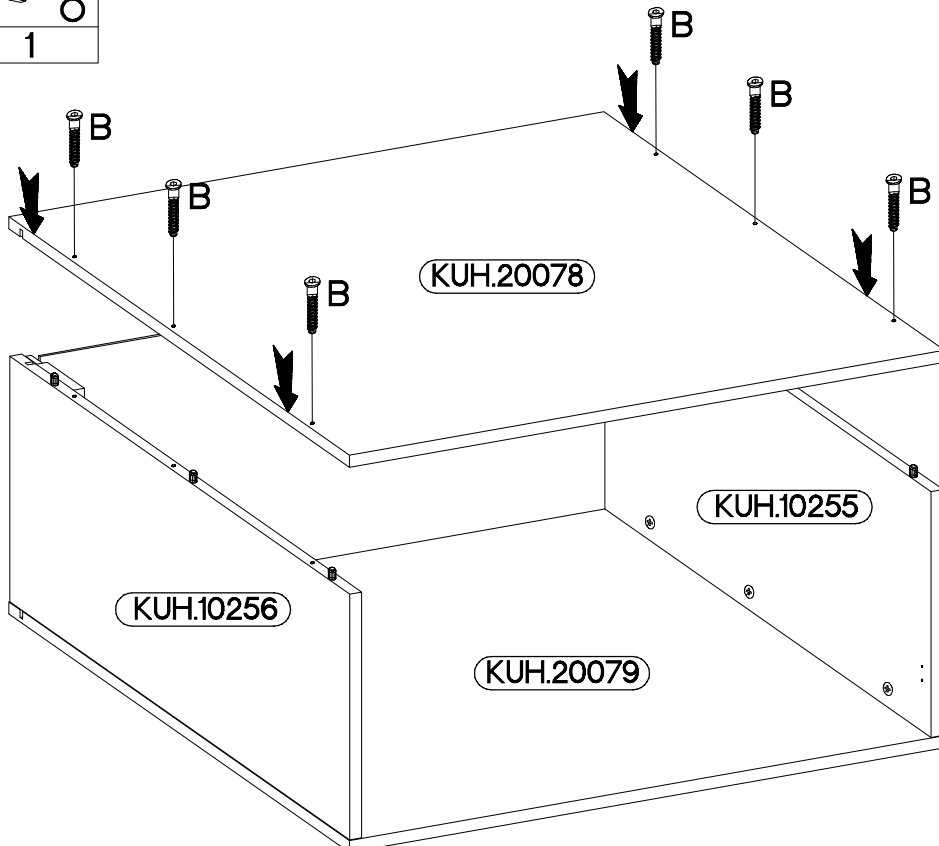
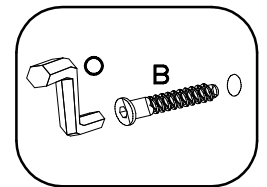
B

6

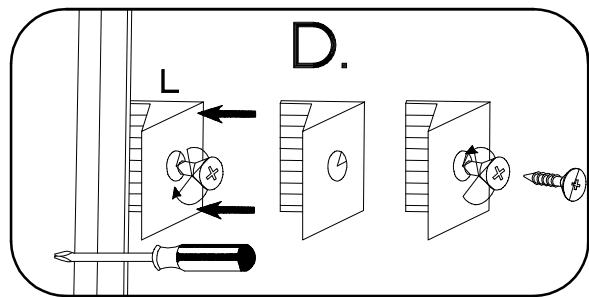
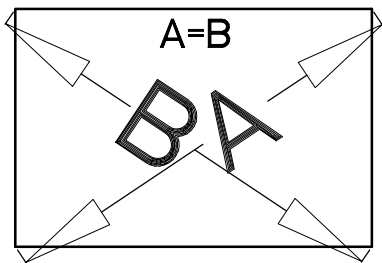
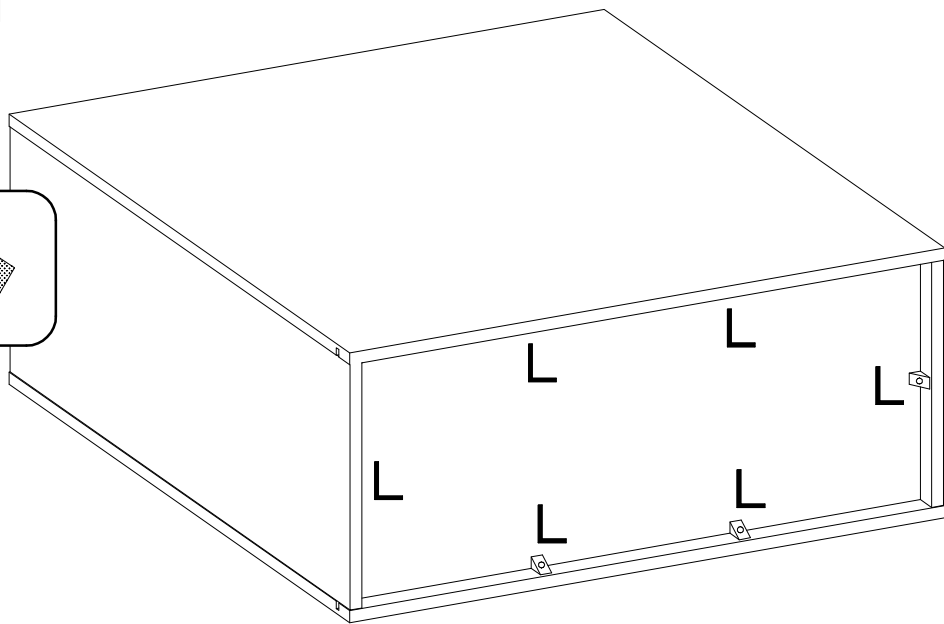
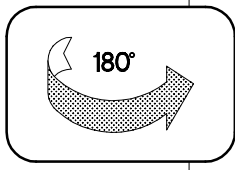
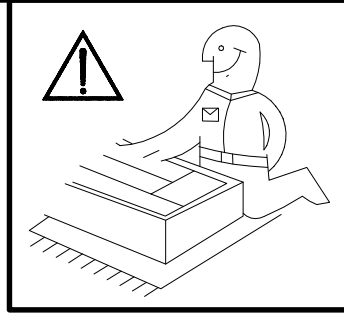
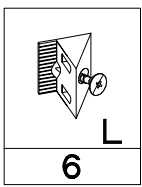


O

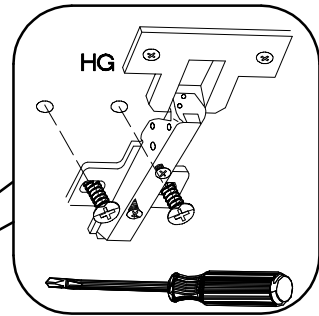
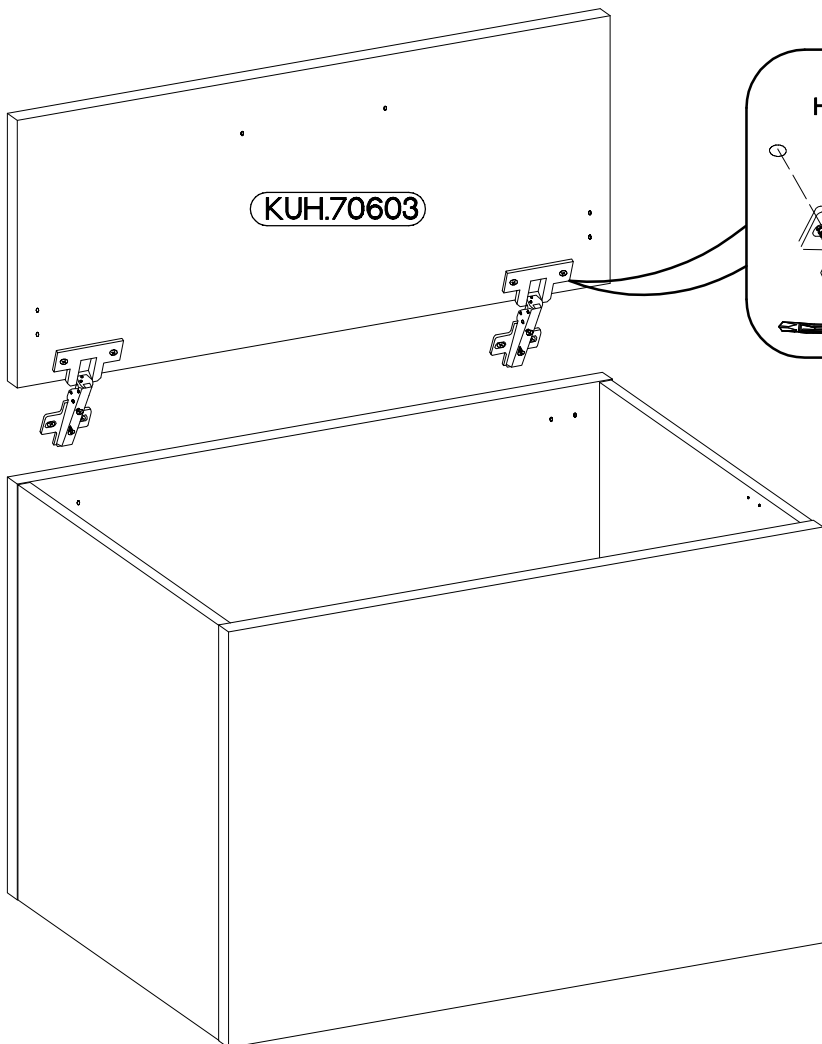
1



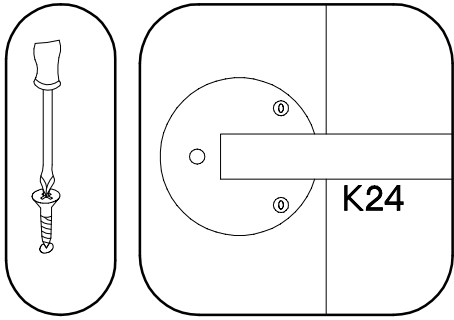
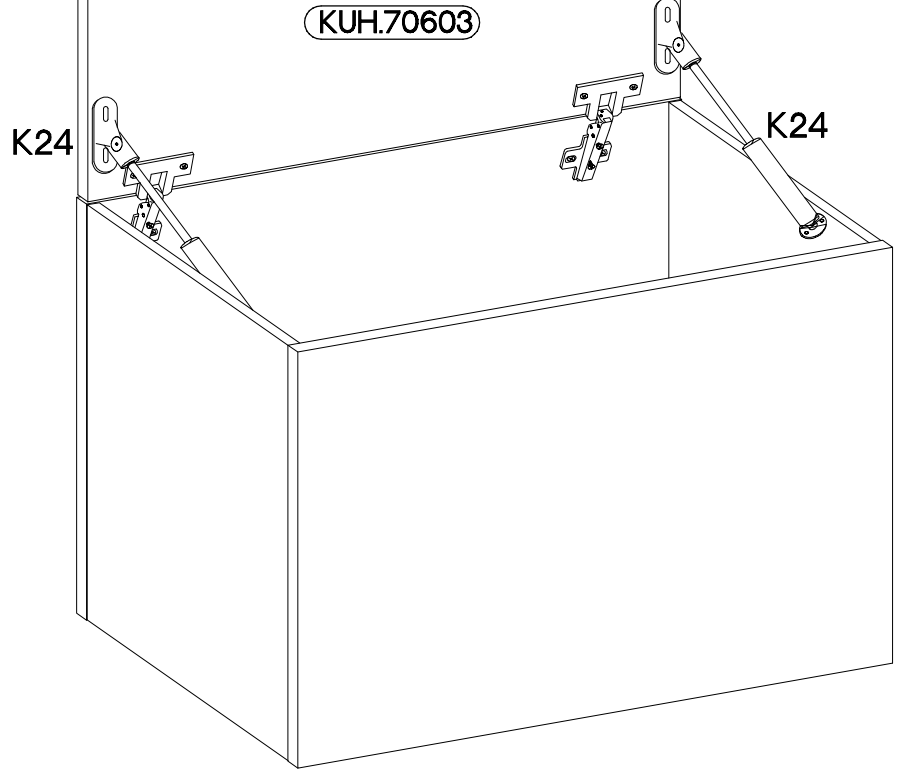
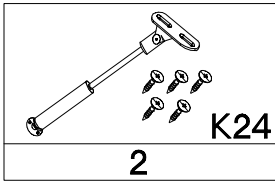
6



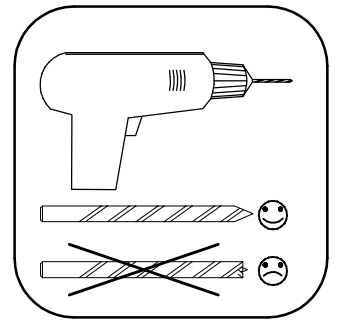
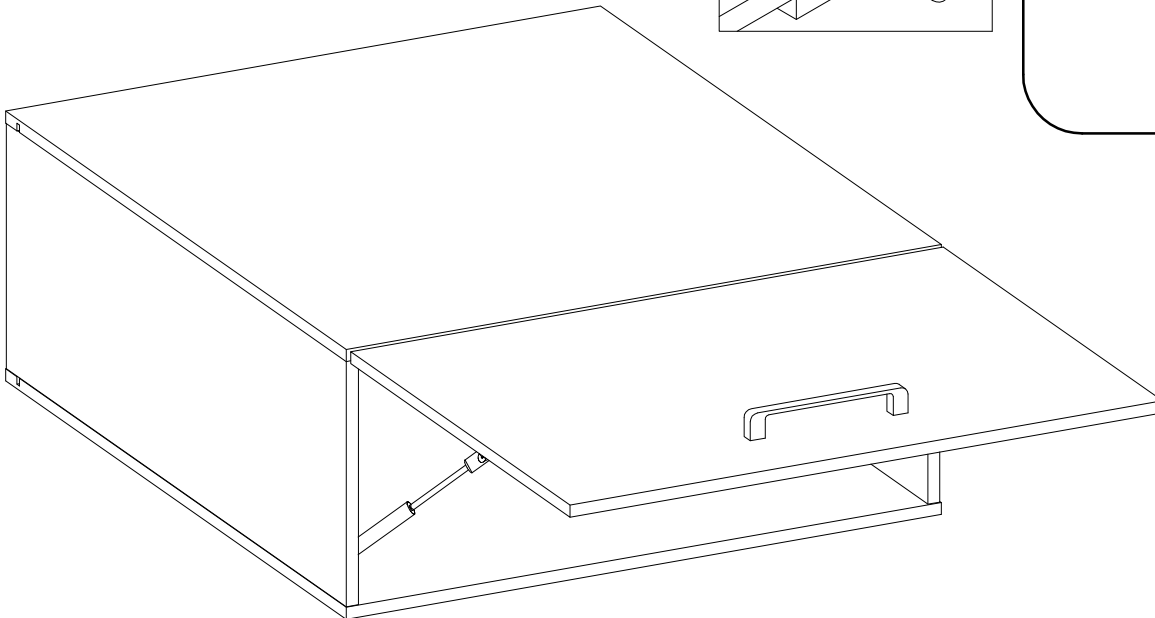
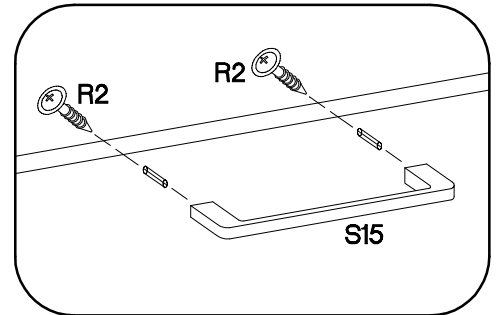
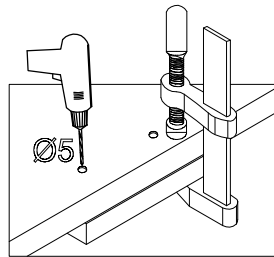
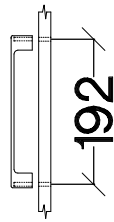
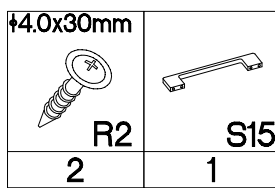
7



8



9



VARIANT HIGH GLOSS

