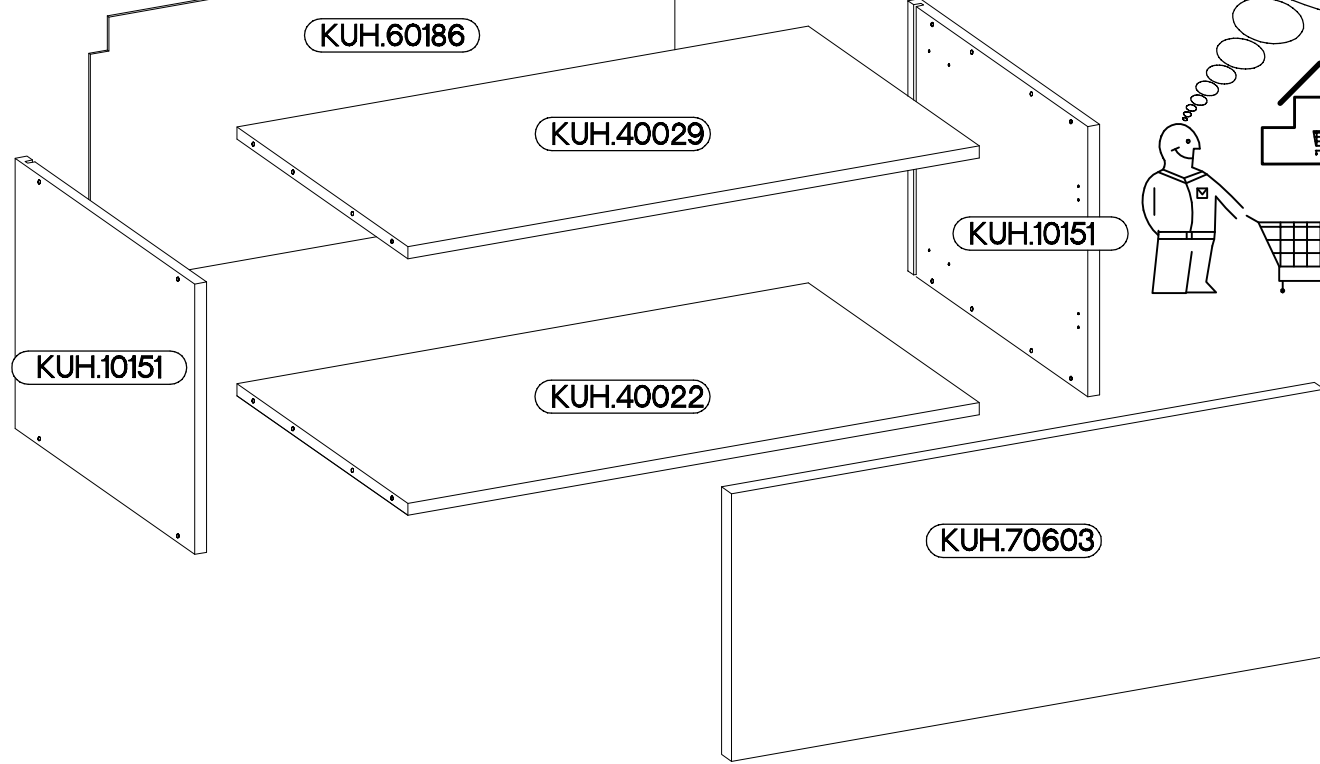
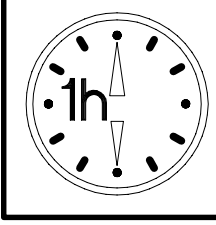
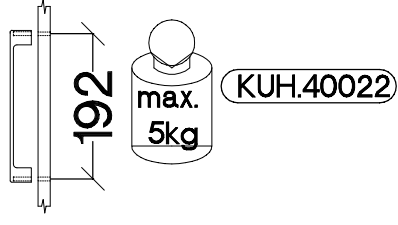
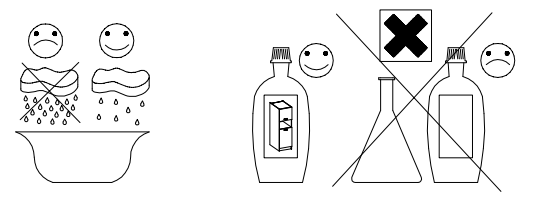
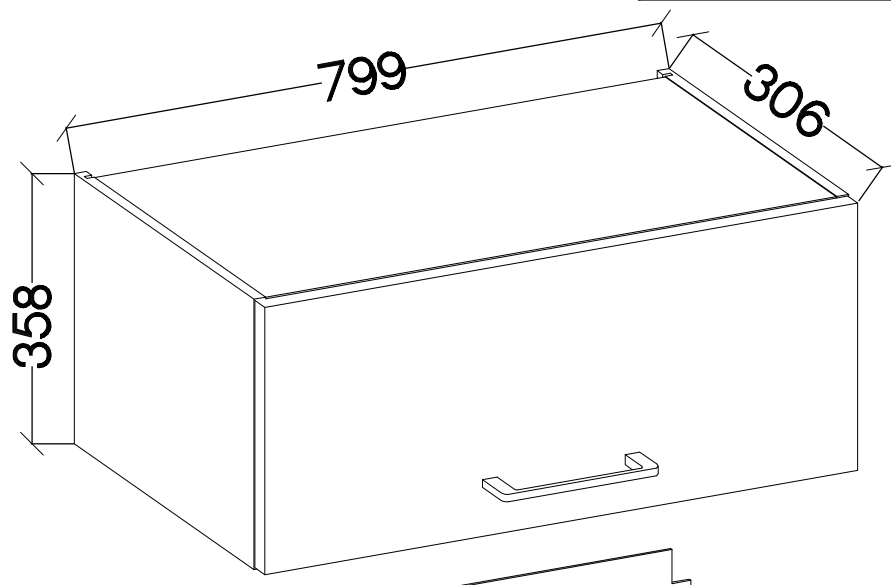
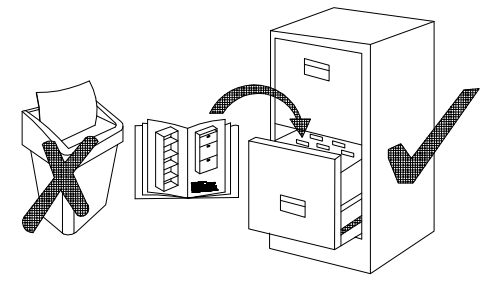


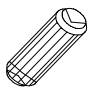
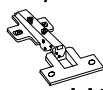


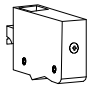
80 GU-36

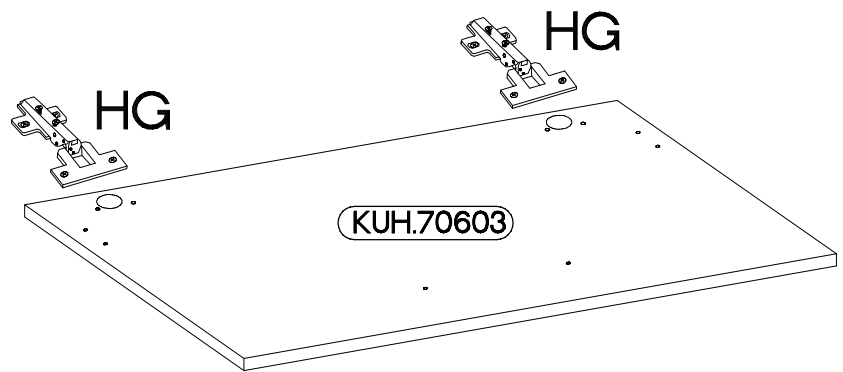
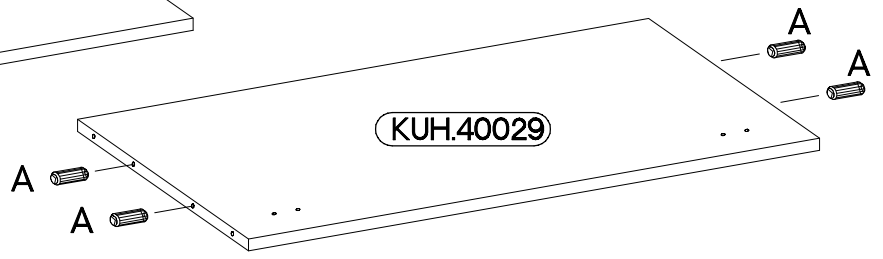
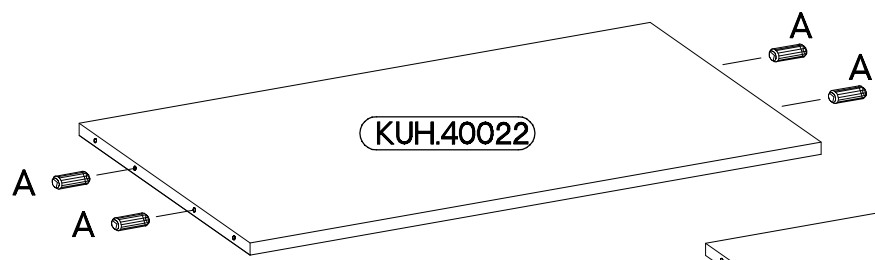
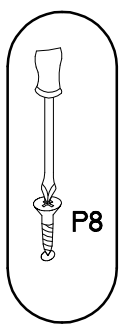
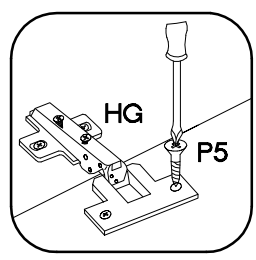
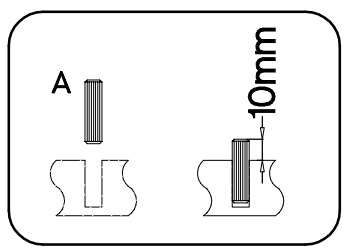
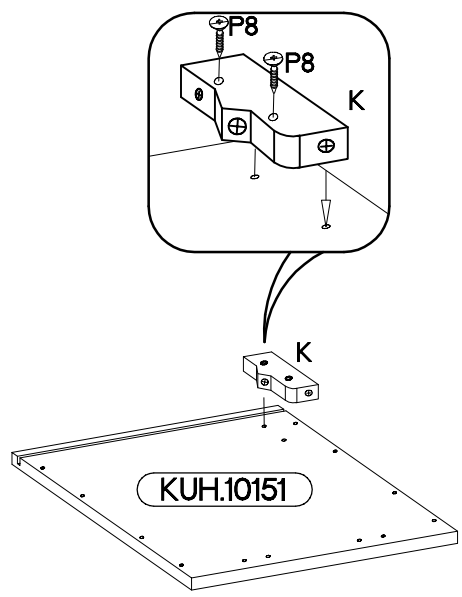
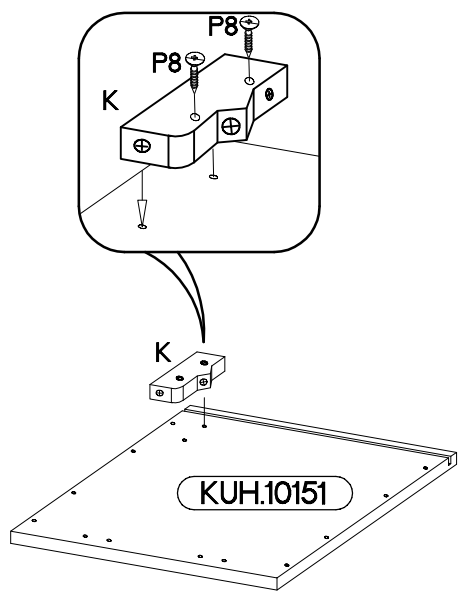
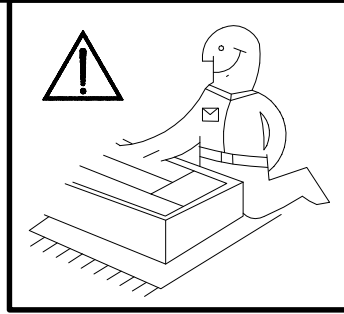


<p>8x30mm A</p>	<p>6,4 x 50mm B</p>	<p>E1</p>	<p>35/0mm HG</p>	<p>K</p>	<p>K24</p>
8	8	8	2	2	2
<p>O</p>	<p>3.5x13mm P5</p>	<p>3.0x20mm P7</p>	<p>4.0x30mm P8</p>	<p>4.0x30mm R2</p>	<p>S15</p>
1	4	10-15	4	2	1



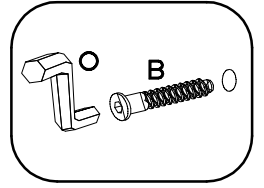
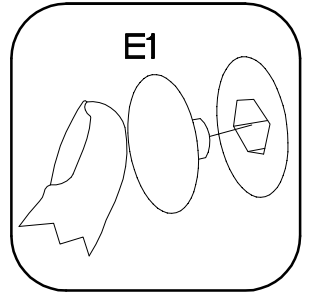
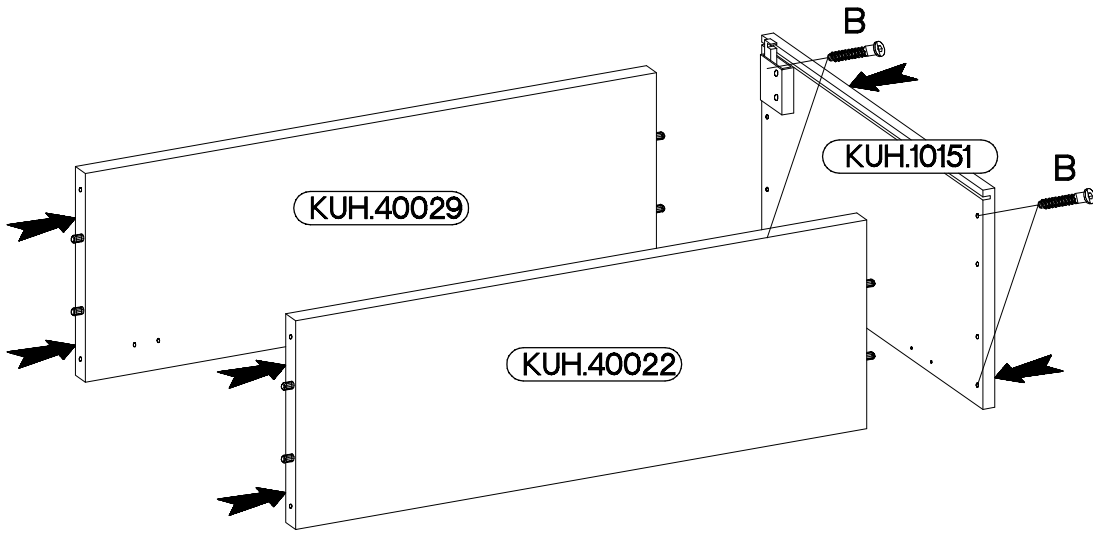
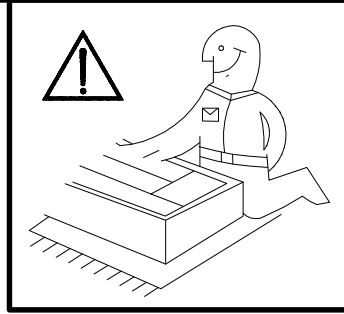
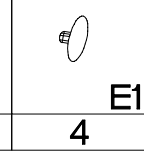
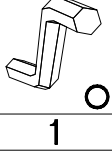
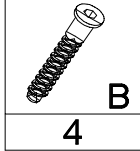
ISM-KUH-00980

±8x30mm  A 8	±35/0mm  HG 2	±3.5x13mm  P5 4	±4.0x30mm  P8 4	 K 2
---	--	--	--	--



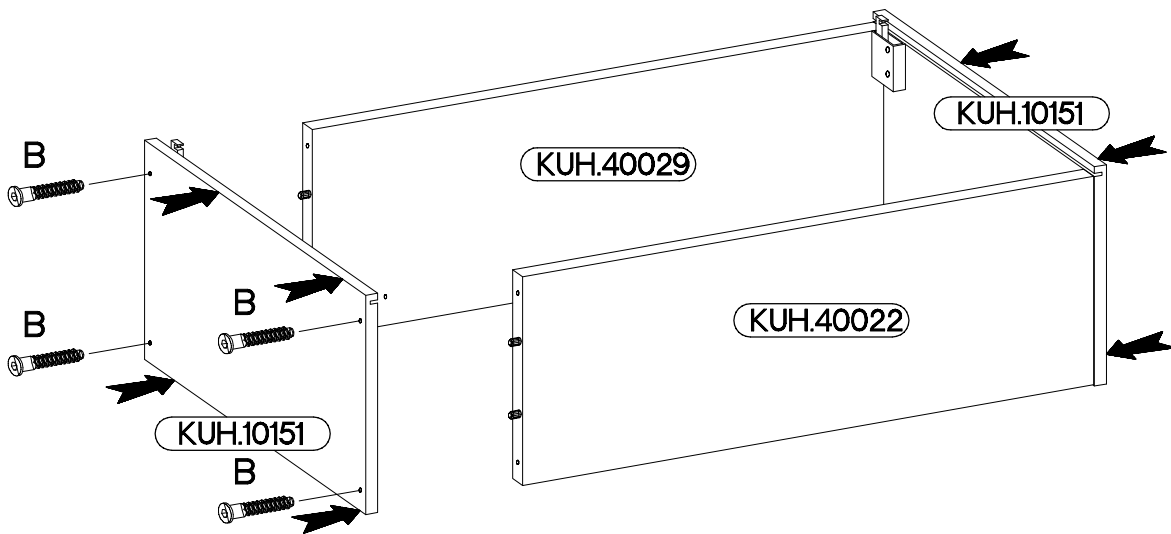
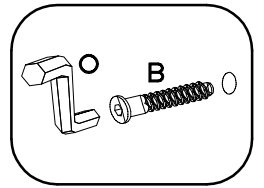
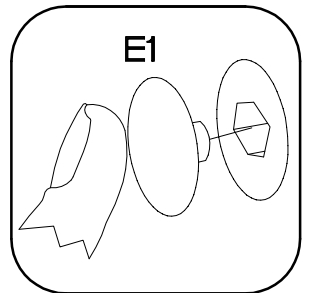
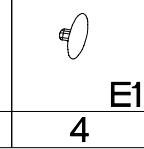
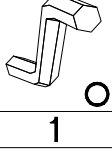
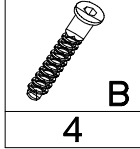
2

6,4 x 50mm

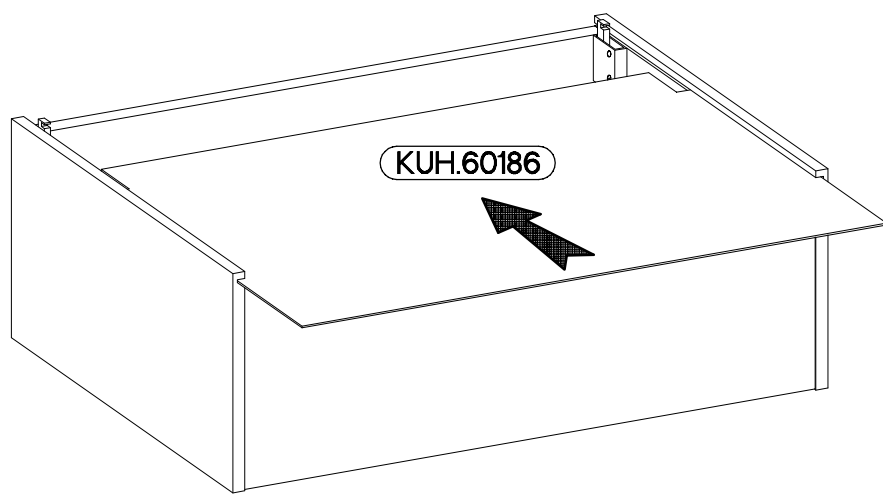
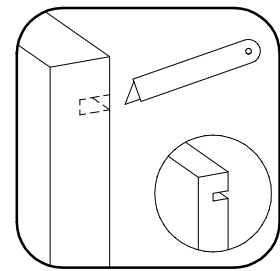
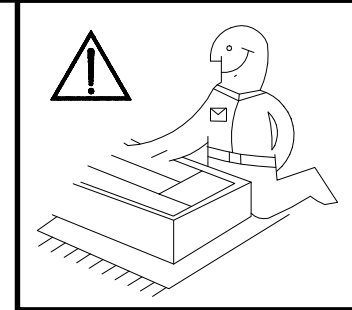
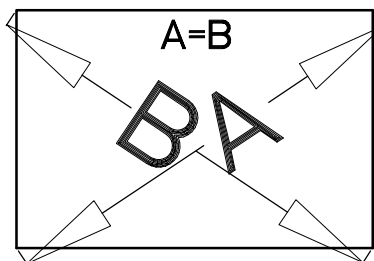


3

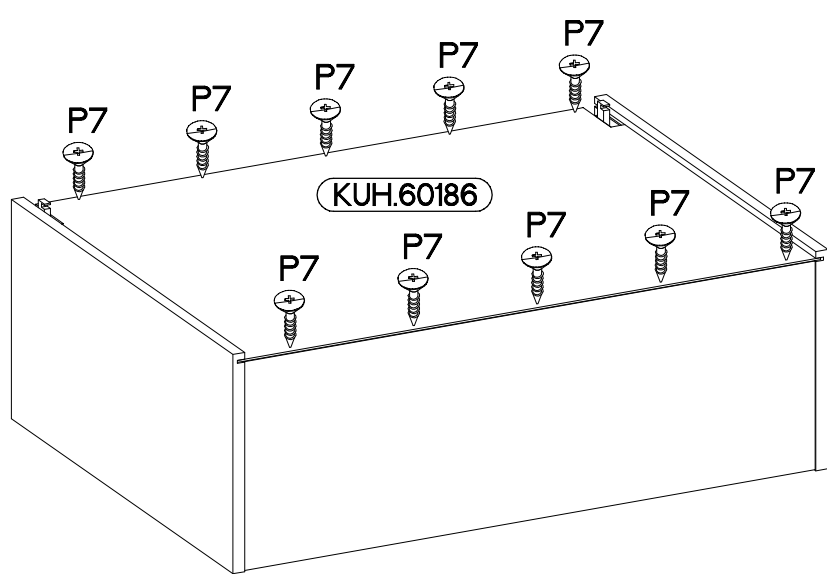
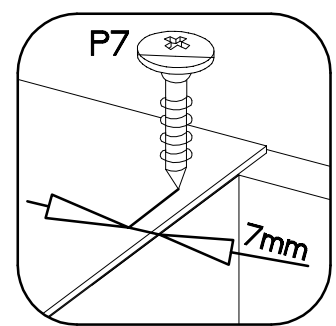
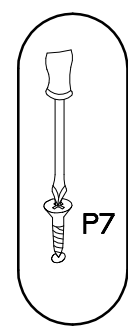
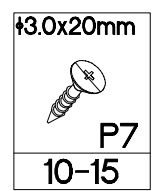
6,4 x 50mm



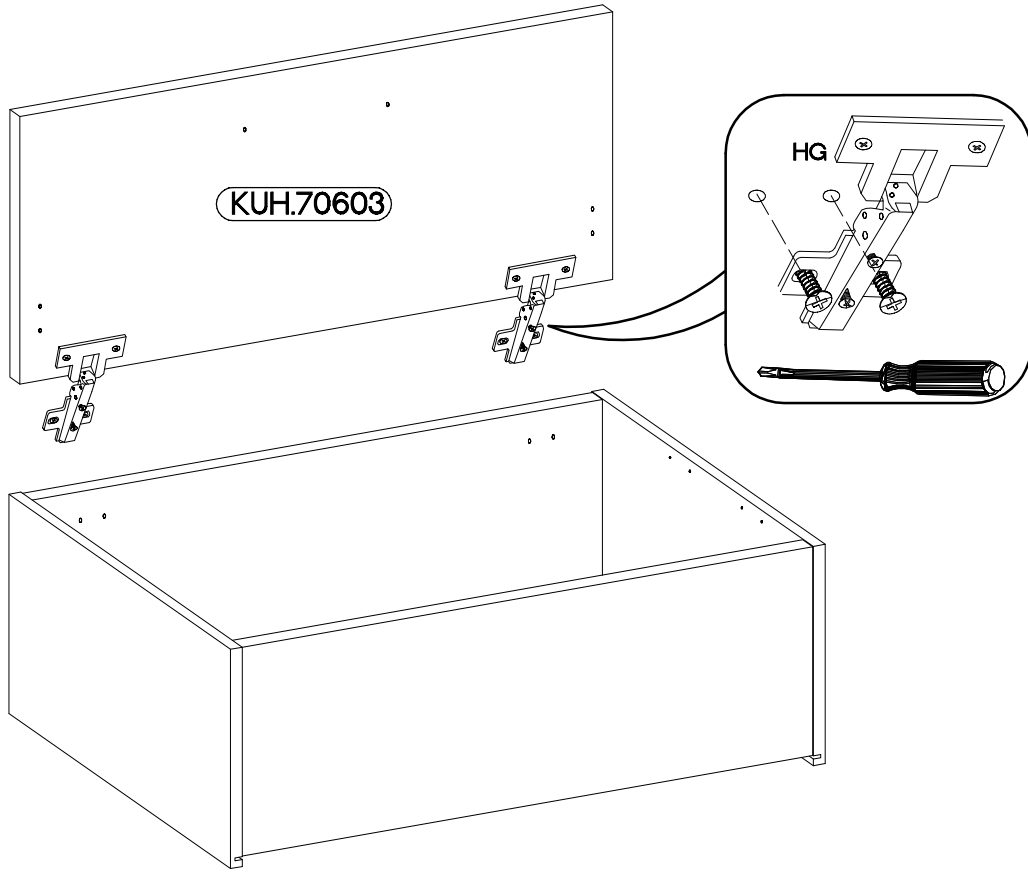
4



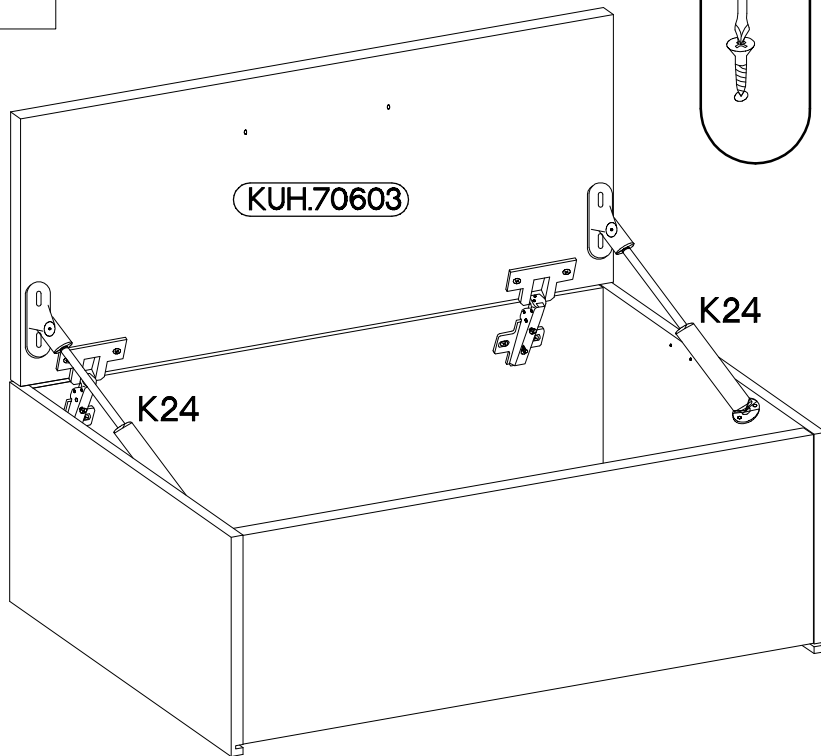
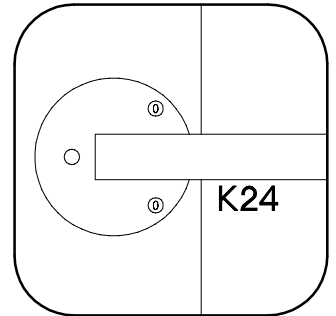
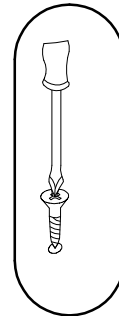
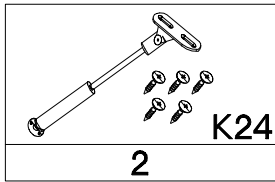
5





6

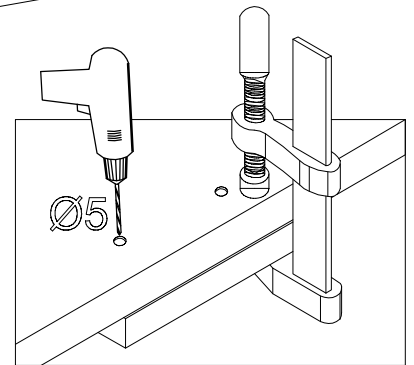
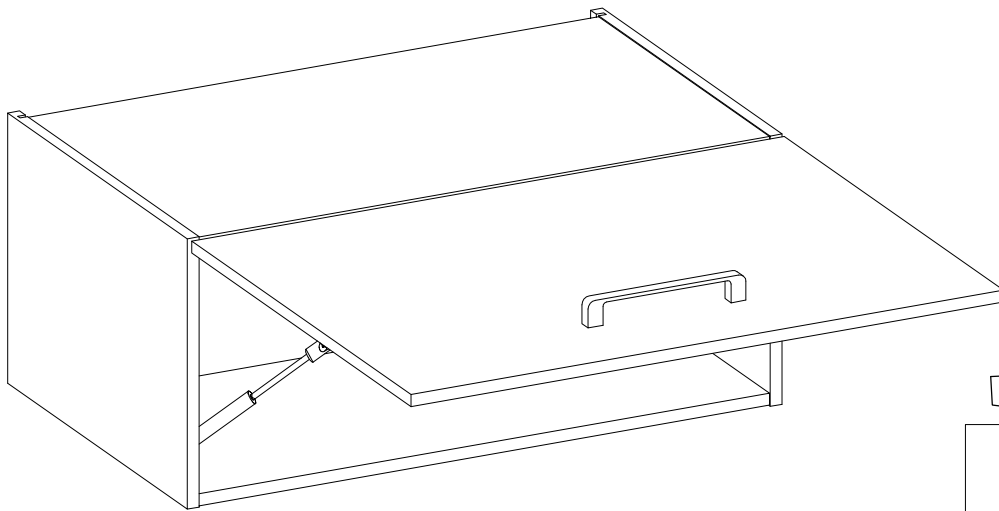
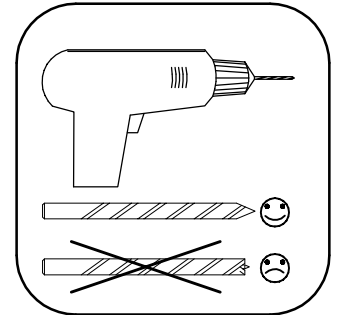
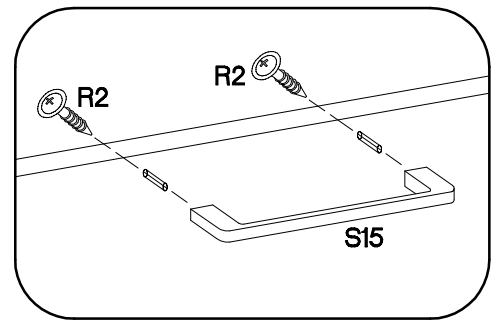


7



+4.0x30mm

	
R2	S15
2	1



VARIANT HIGH GLOSS

