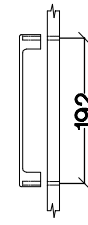
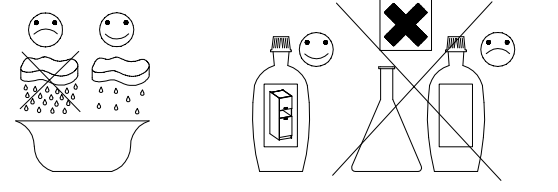
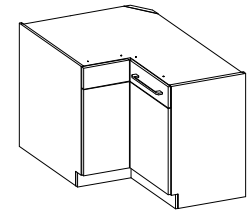
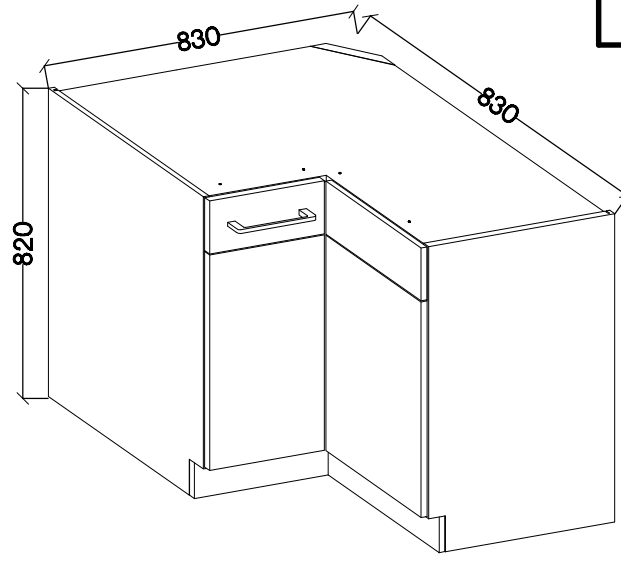
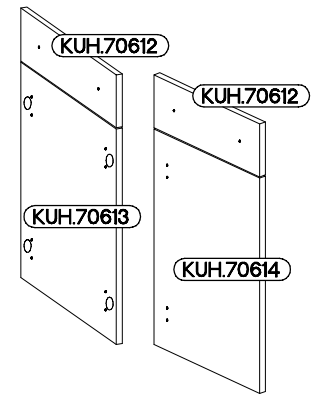
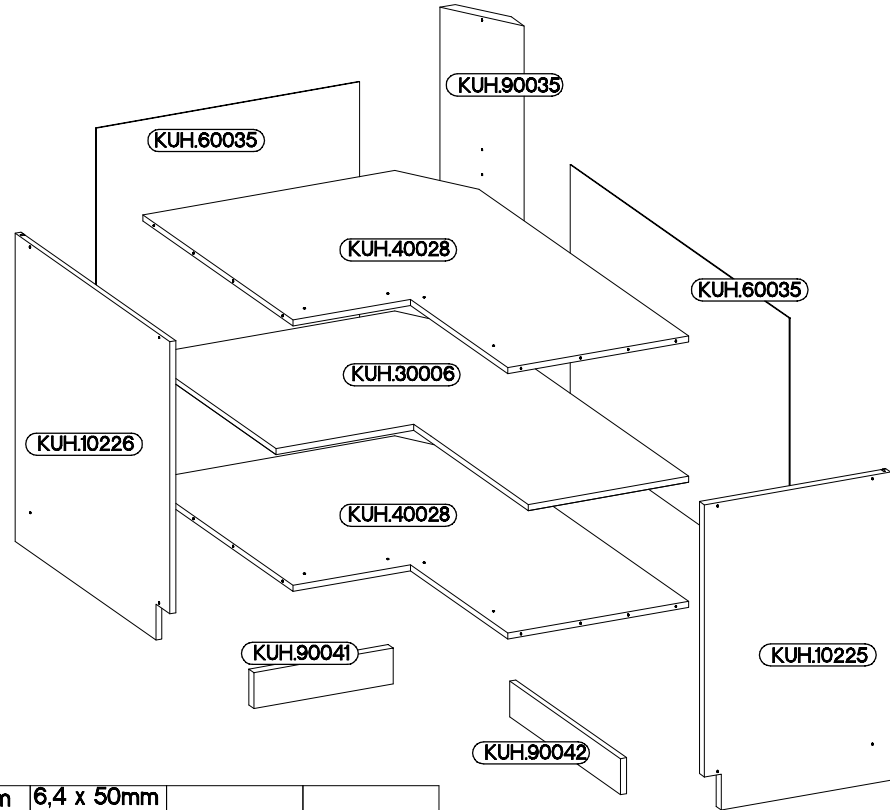
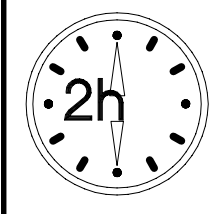
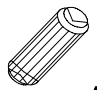



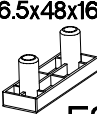
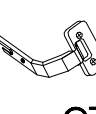
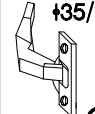
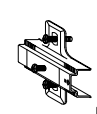


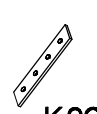
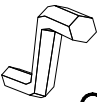
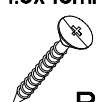




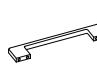


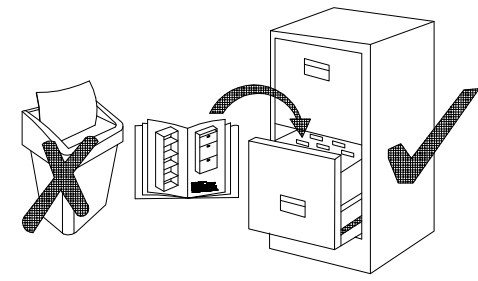
**89x89 ND 2F BB**



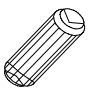
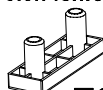
KUH.30006  
KUH.40028

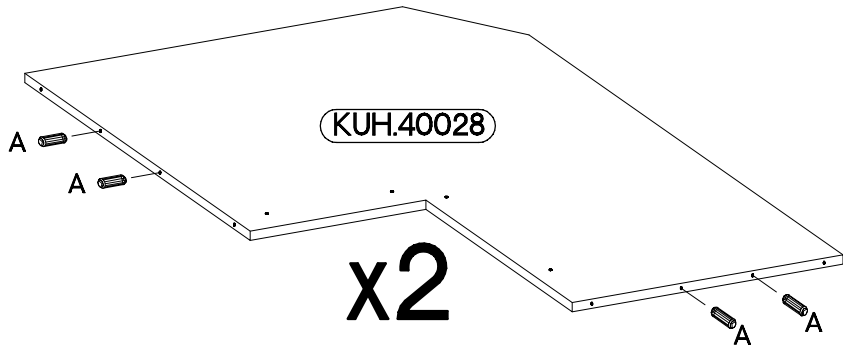
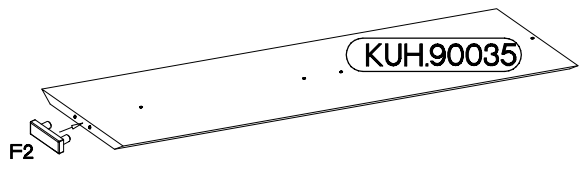
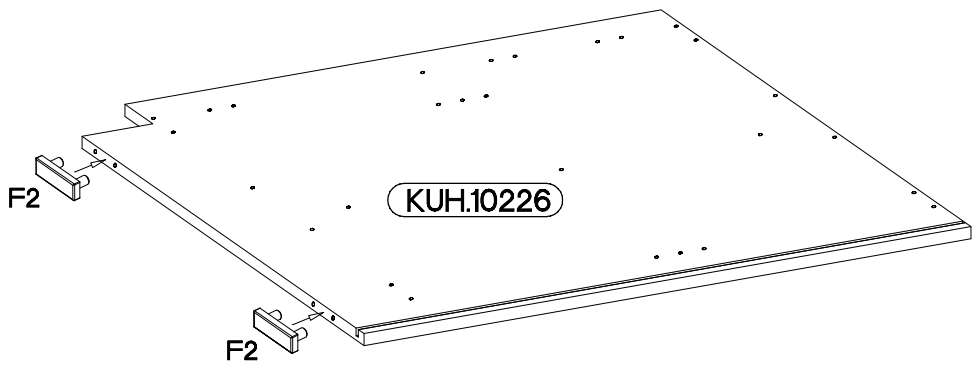
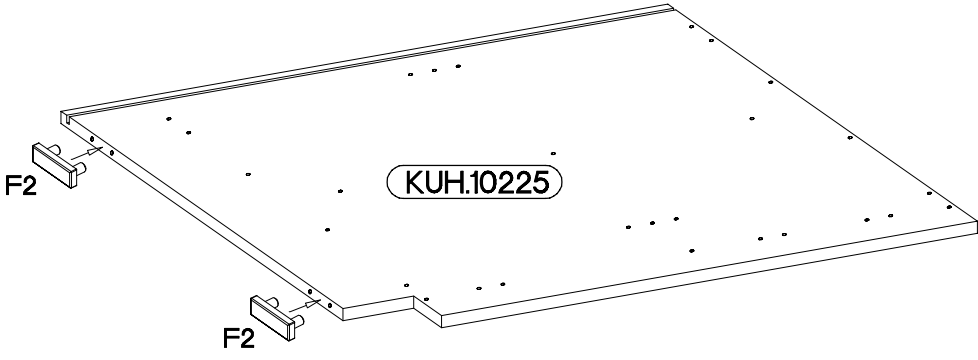
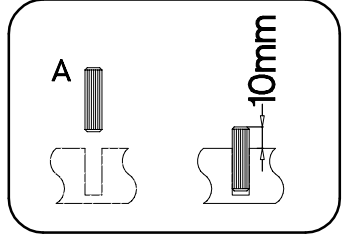
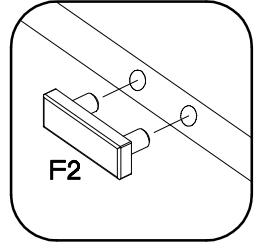
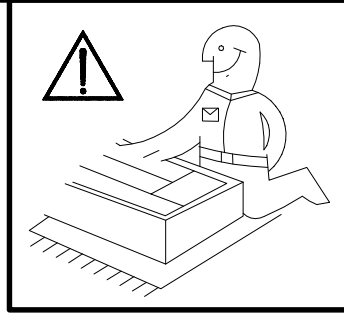


 A 8	 B 10	 E1 8	 E9 4	 F2 5	 G7 2	 G8 2	 H 4	 J 5	 K28 4	 K29 2
 O 1	 P4 4	 P5 16	 P7 20-25	 R2 2	 R3 4	 S15 1				



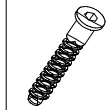
1

18x30mm  A 8	6.5x48x16  F2 5
---	--



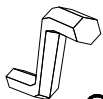
2

6,4 x 50mm



B

4



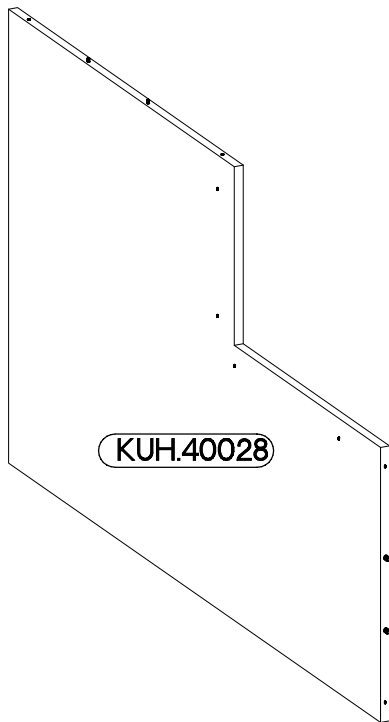
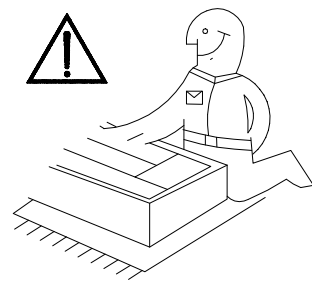
O

1

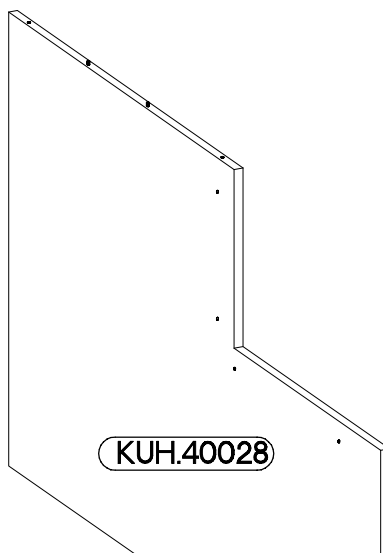


E1

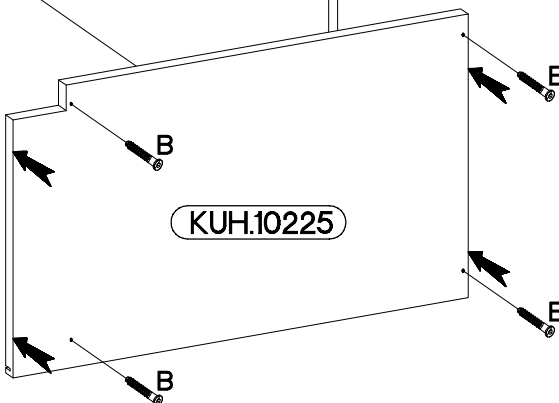
4



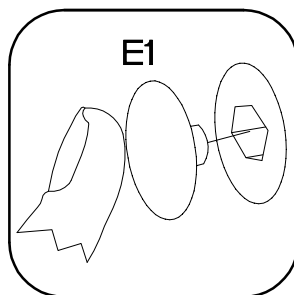
KUH.40028



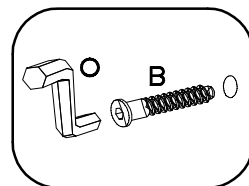
KUH.40028



KUH.10225

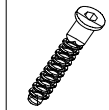


E1



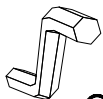
3

6,4 x 50mm



B

4



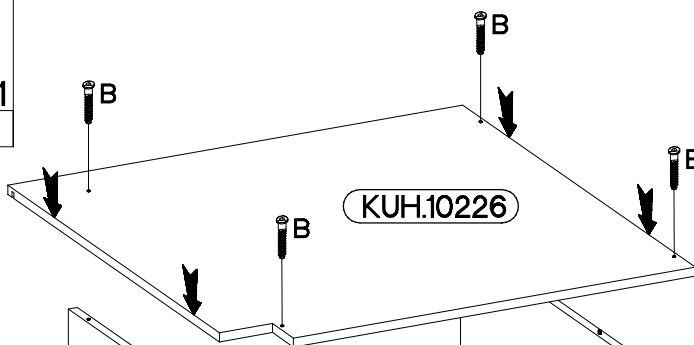
O

1

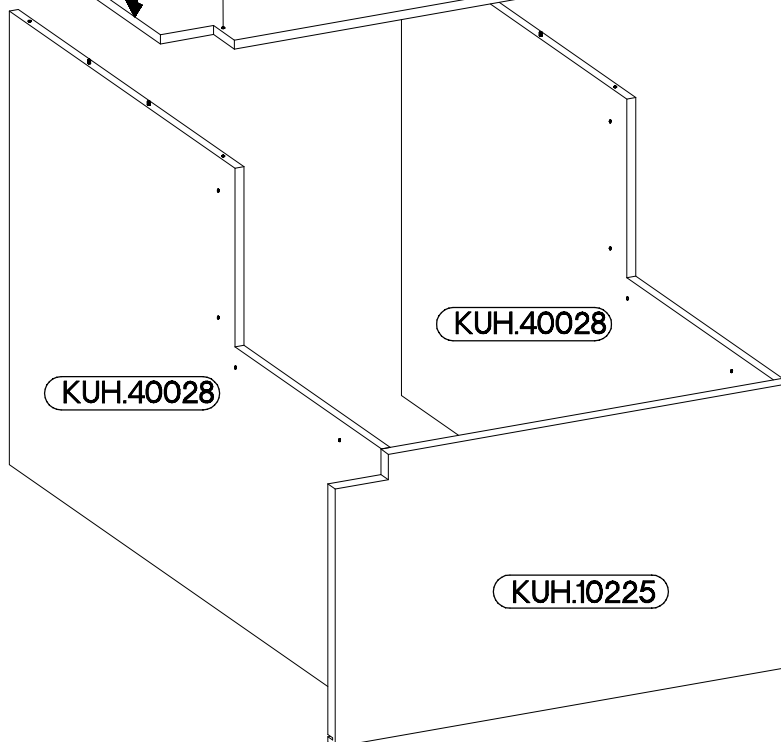


E1

4



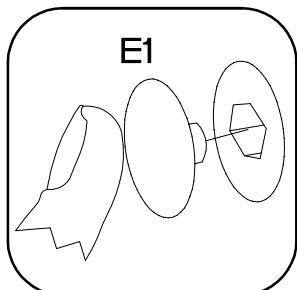
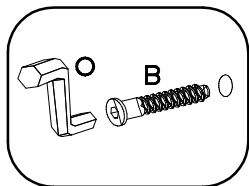
KUH.10226



KUH.40028

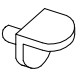
KUH.40028

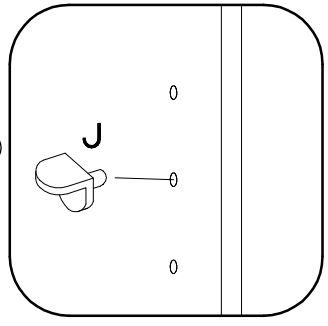
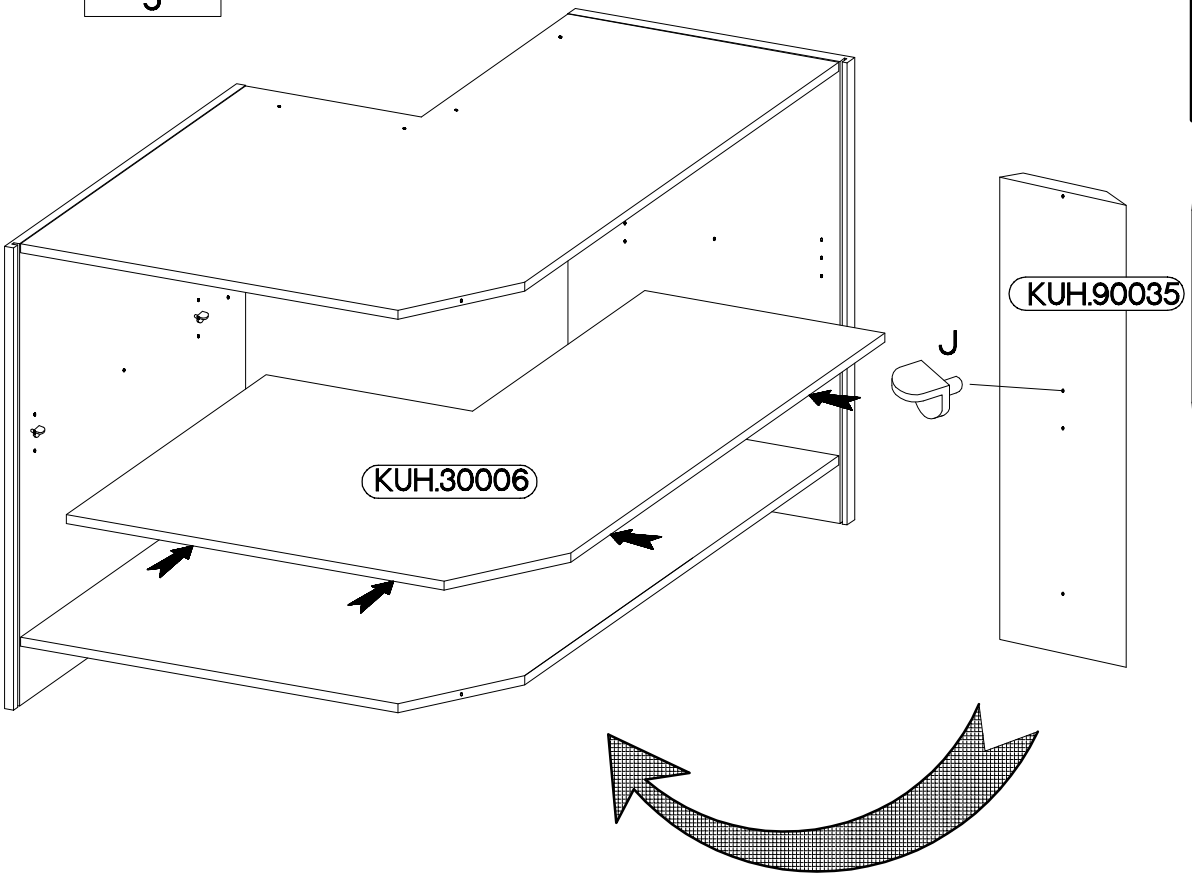
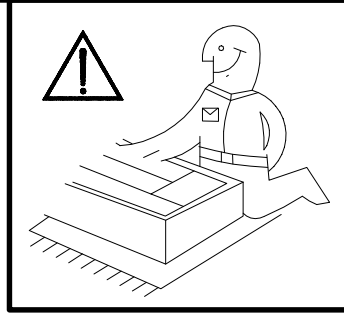
KUH.10225




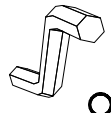
E1

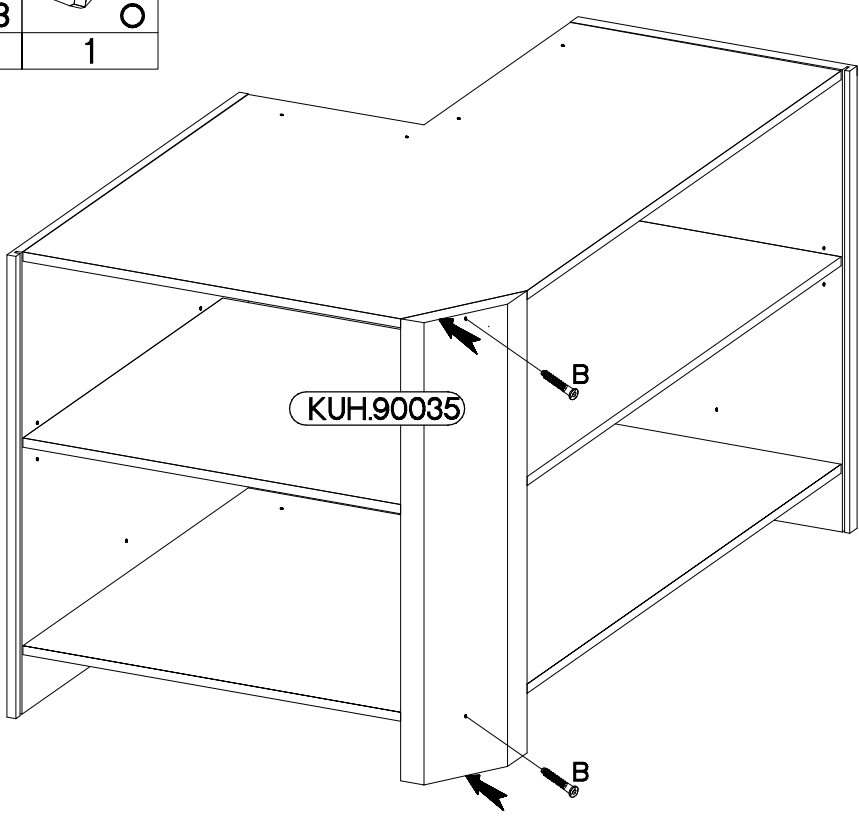
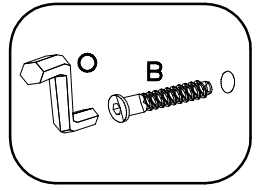
4

±5/19mm

J
5



5

6,4 x 50mm	
	
B	O
2	1



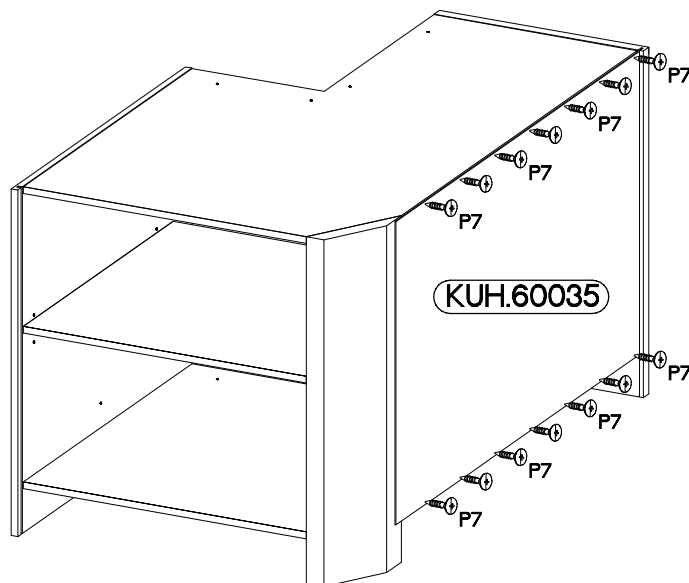
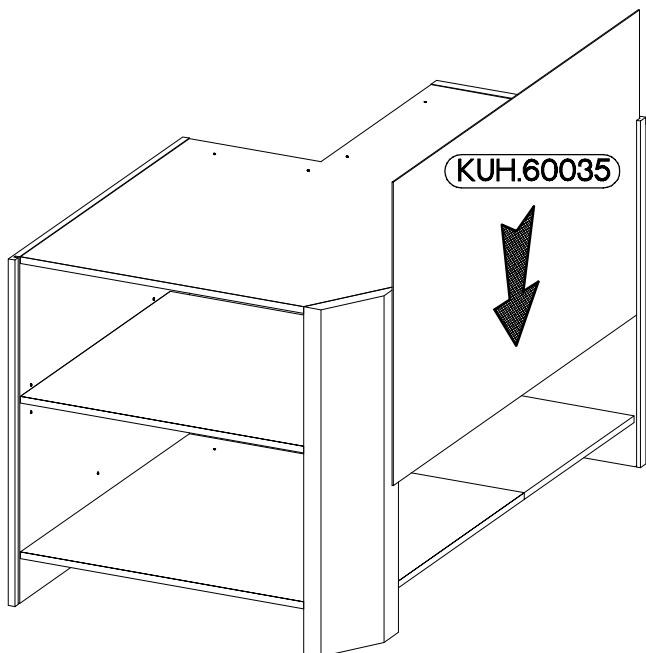
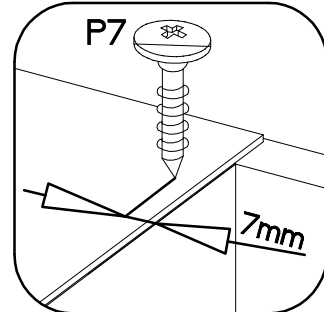
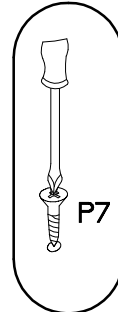
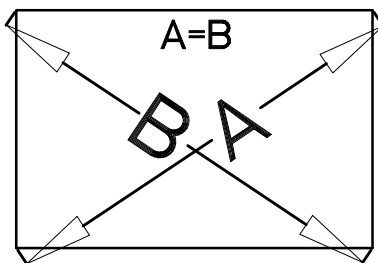
6

±3.0x20mm



P7

10-15



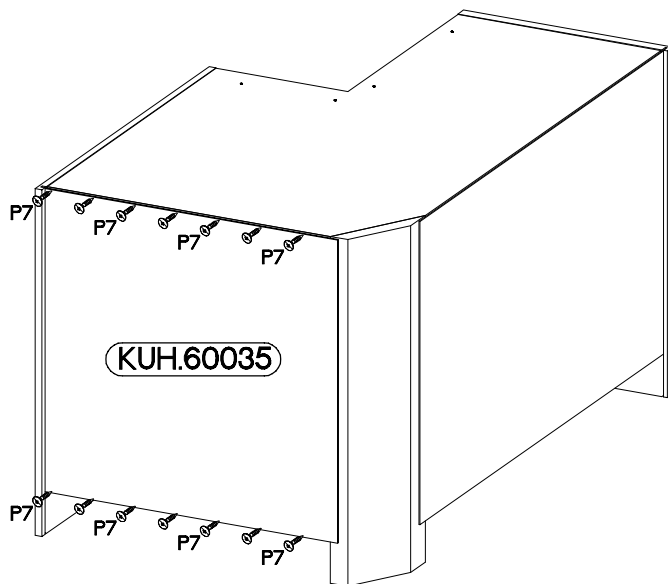
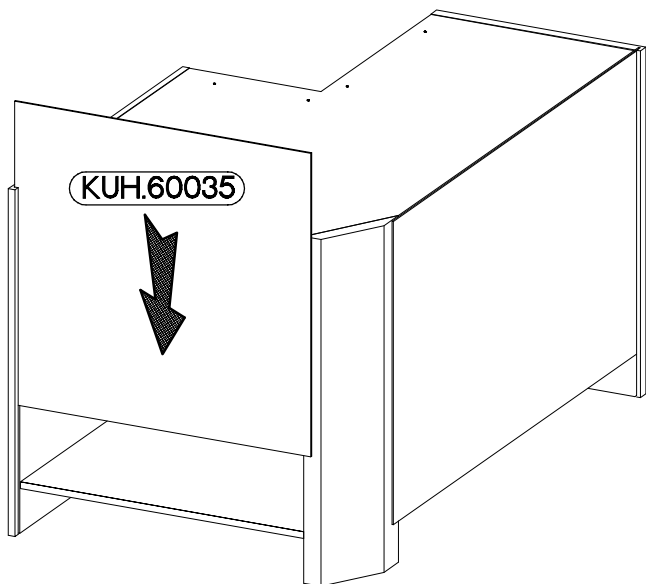
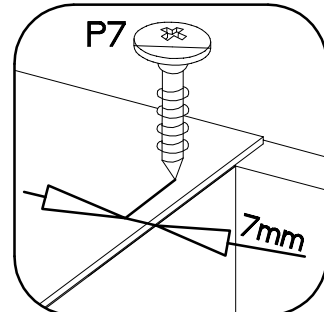
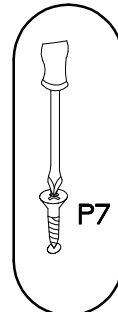
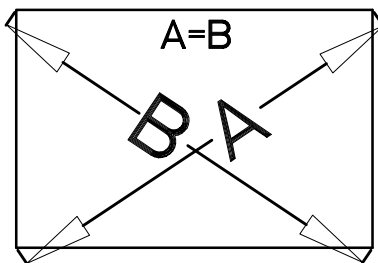
7

±3.0x20mm





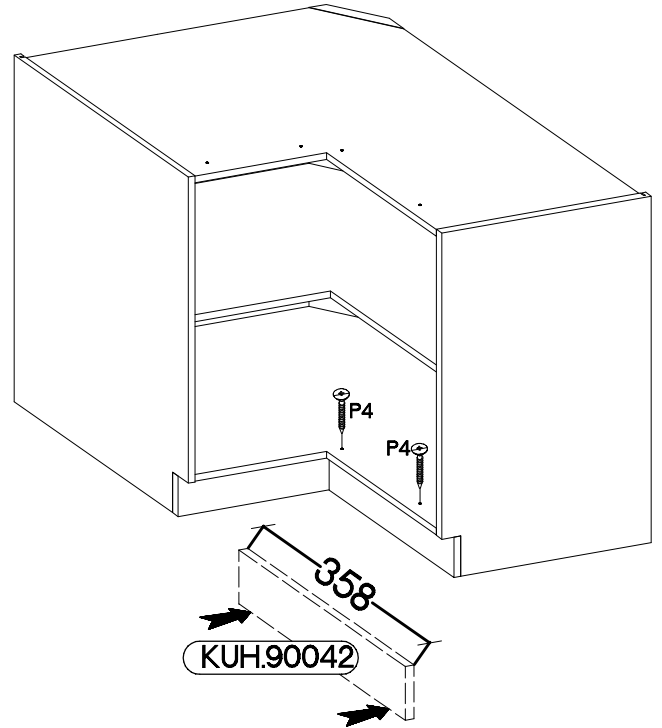
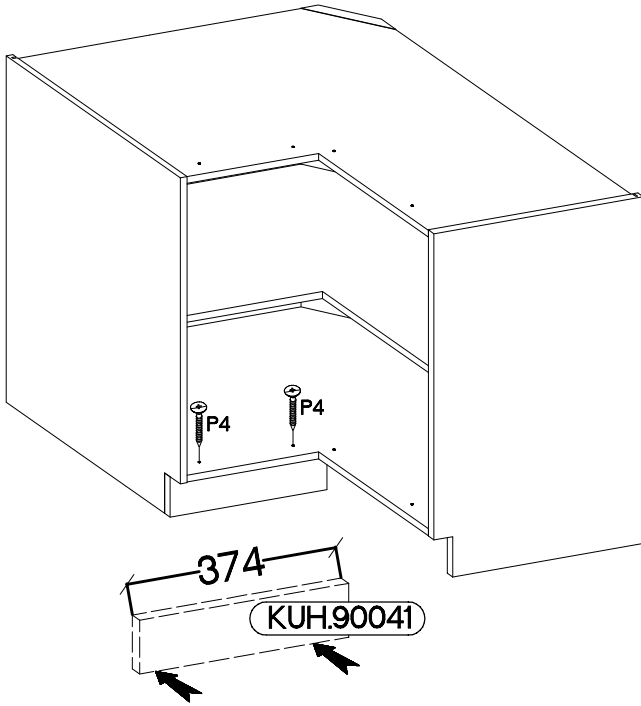
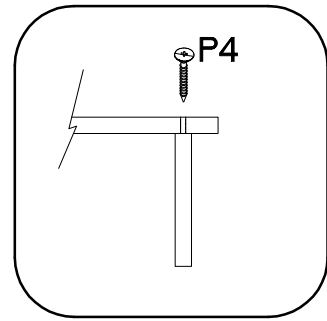
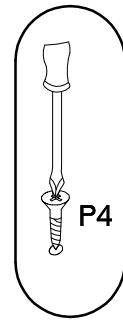
P7

10-15




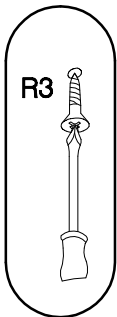
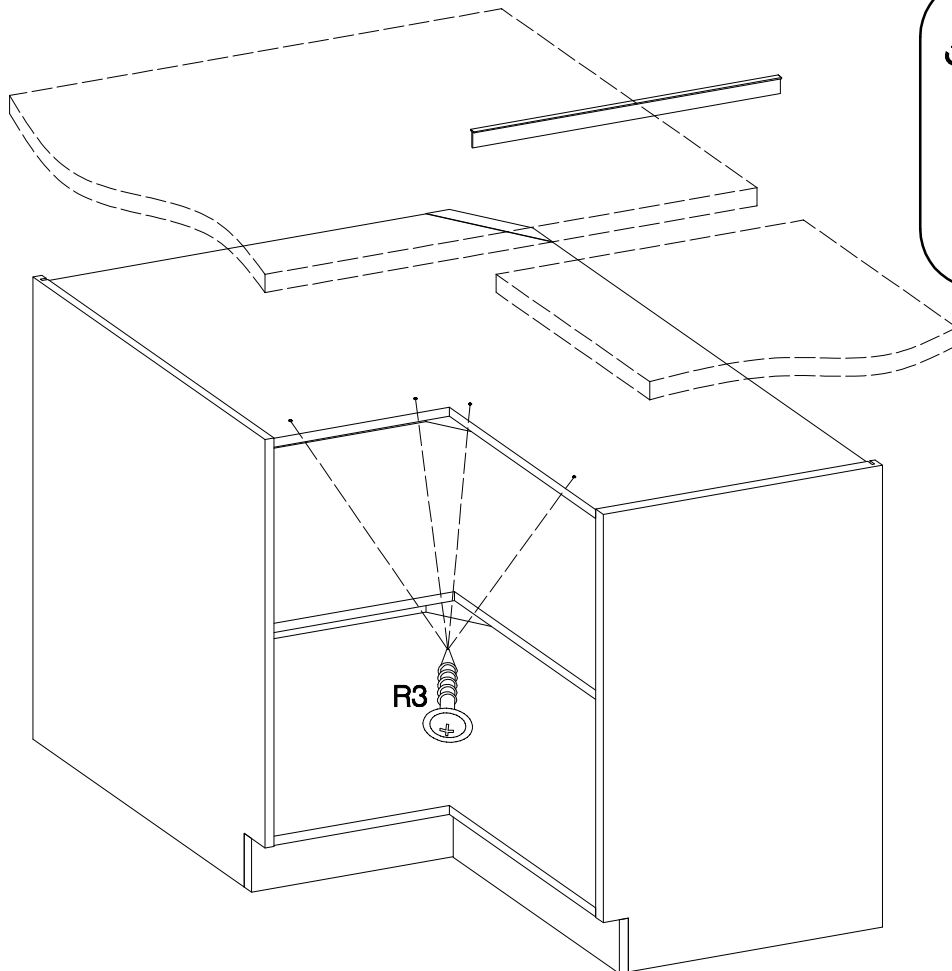
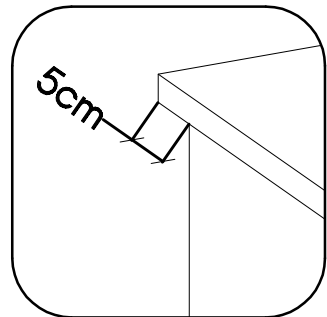
8

$\pm 4.0 \times 45 \text{mm}$  P4 4	 E9 4
--	---



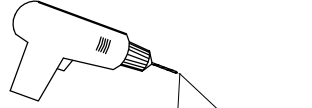
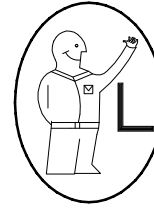
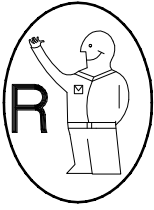
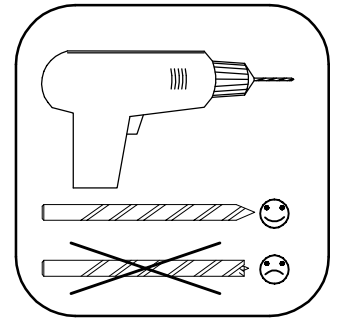
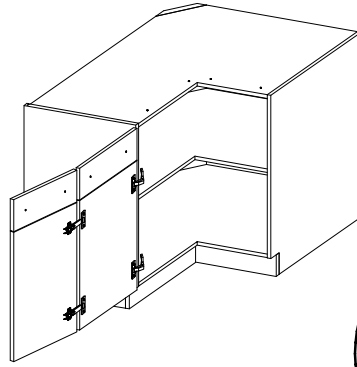
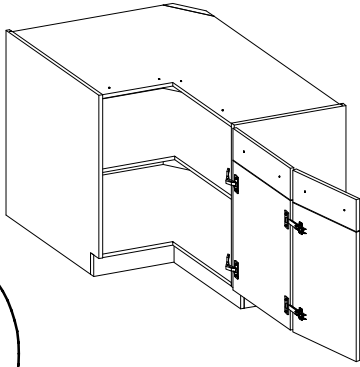
9

$\pm 4.0 \times 35 \text{mm}$  R3 4
---

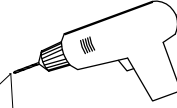


RIGHT

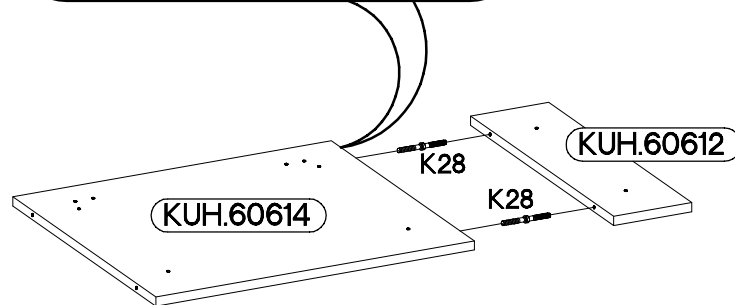
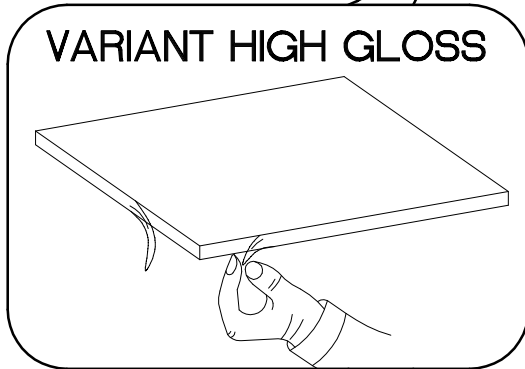
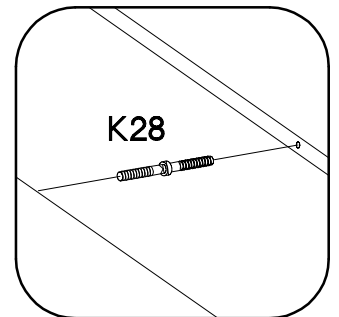
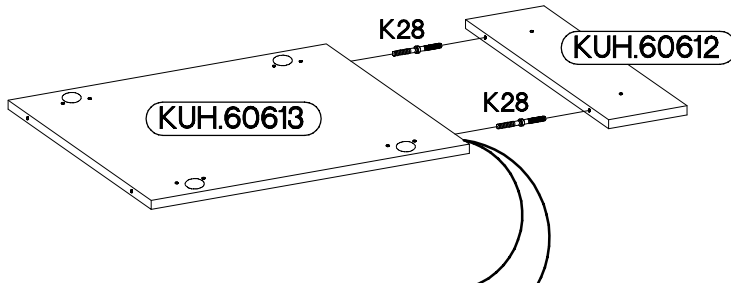
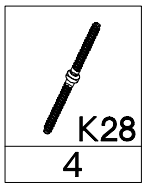
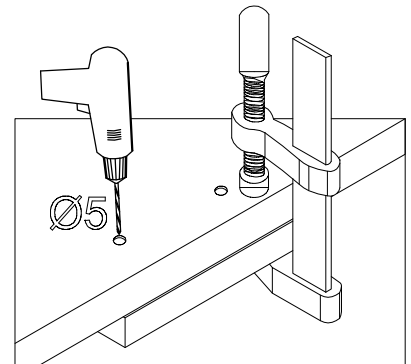
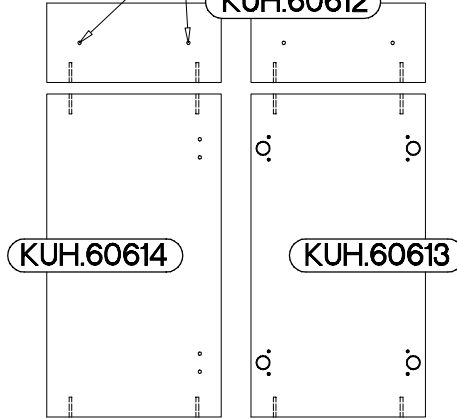
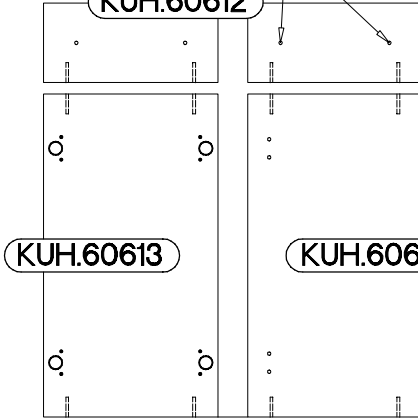
LEFT



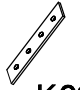

KUH.60612

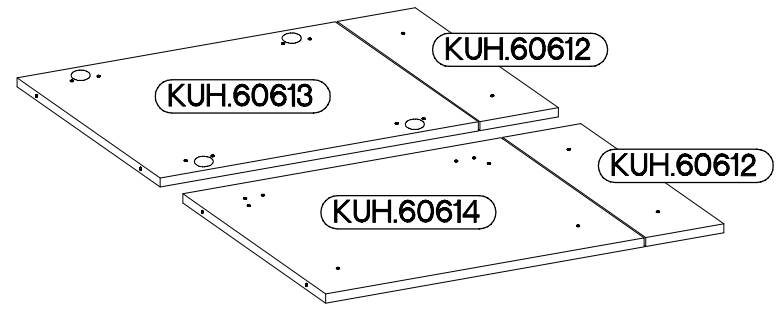
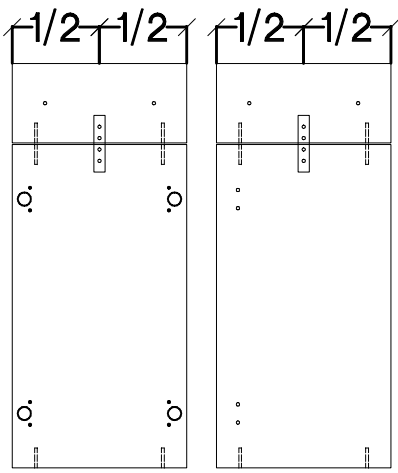
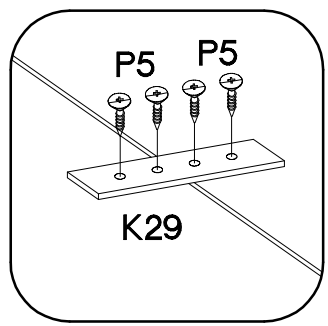
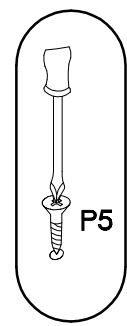


KUH.60612

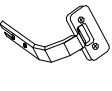
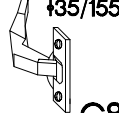
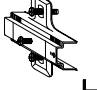



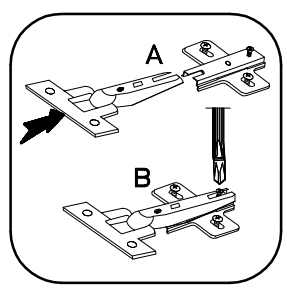
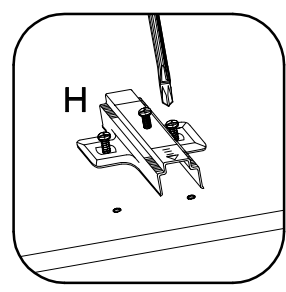
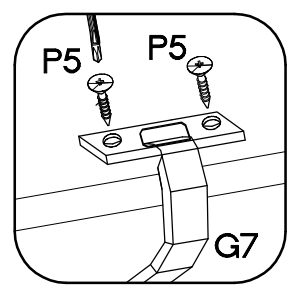
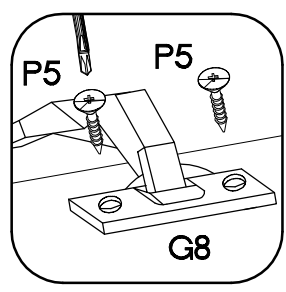
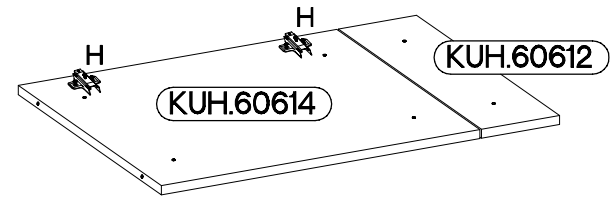
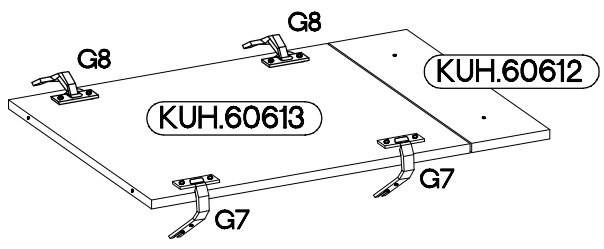
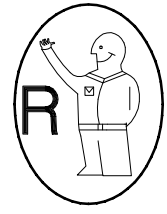
# 12

	$\pm 3.5 \times 13 \text{mm}$ 
<b>K29</b>	<b>P5</b>
<b>2</b>	<b>8</b>



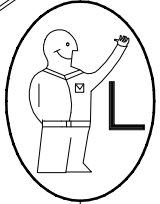
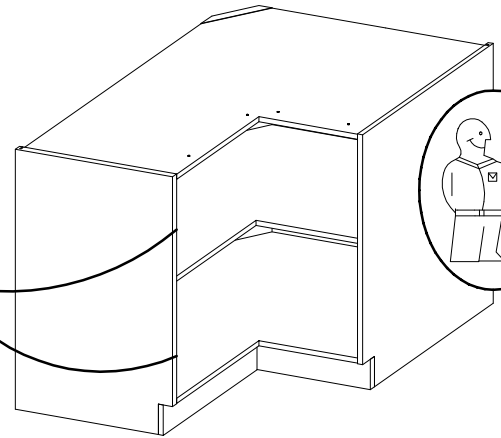
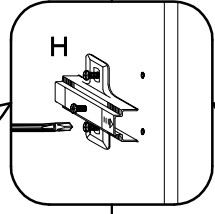
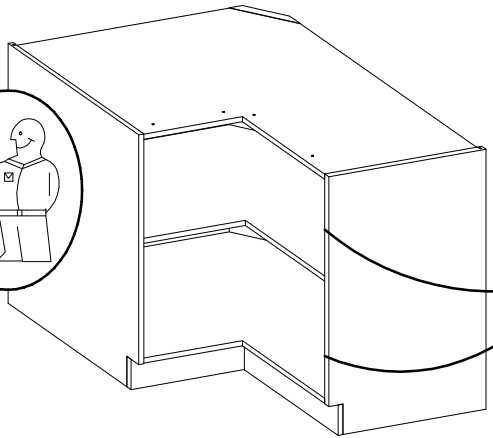
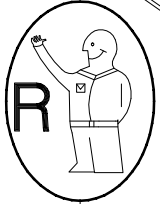
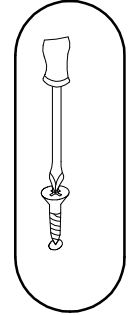
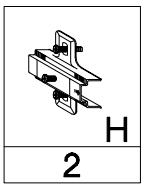
# 13

	$\pm 35/155$ 		$\pm 3.5 \times 13 \text{mm}$ 
<b>G7</b>	<b>G8</b>	<b>H</b>	<b>P5</b>
<b>2</b>	<b>2</b>	<b>2</b>	<b>8</b>

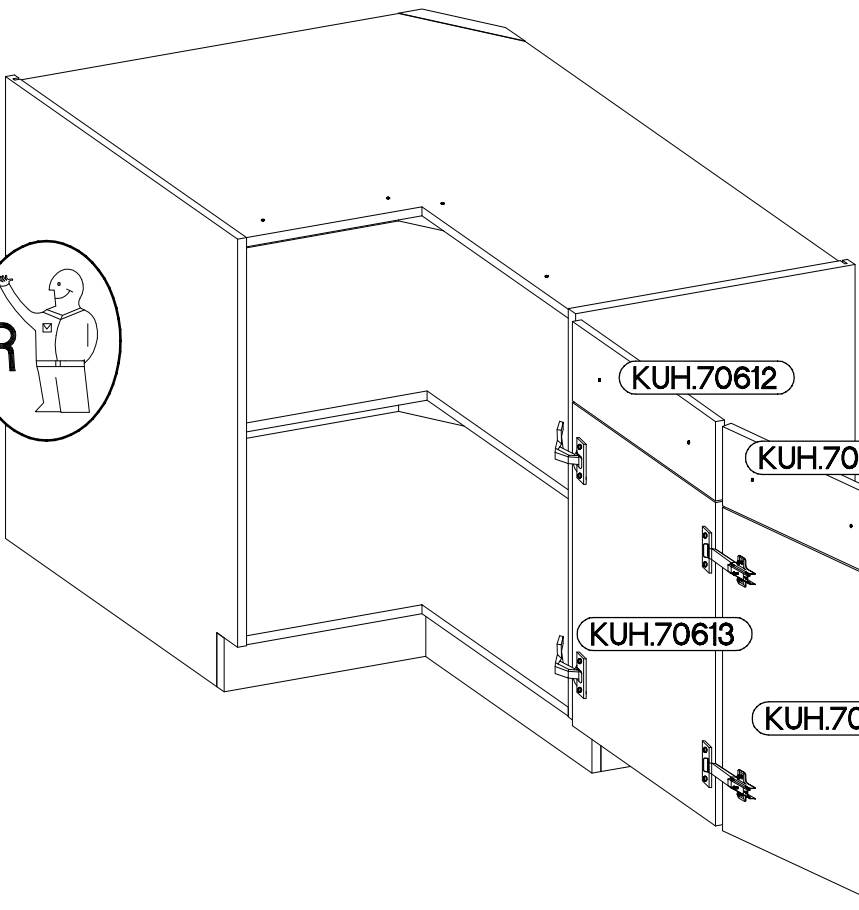
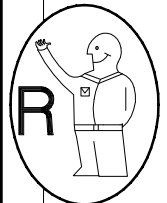
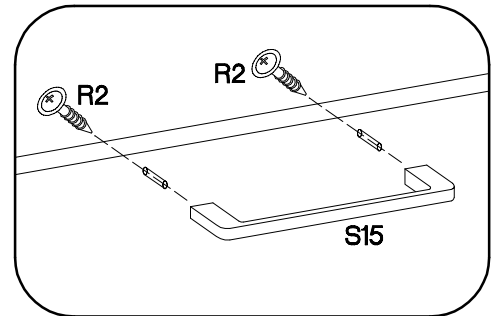
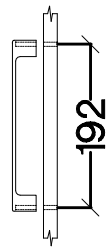
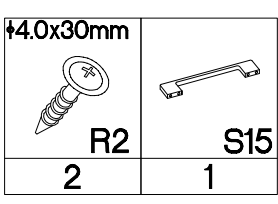




14



15



### VARIANT HIGH GLOSS

