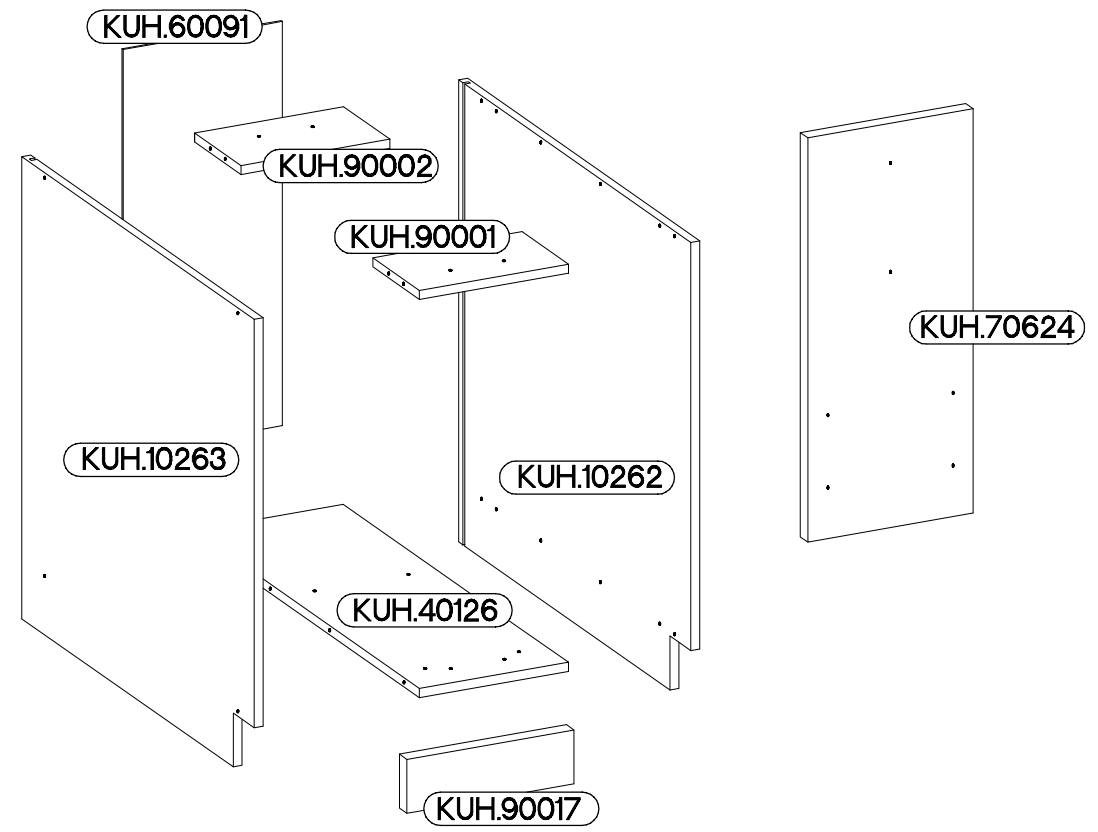
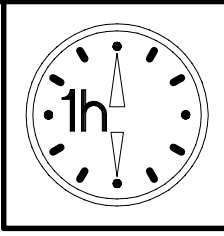
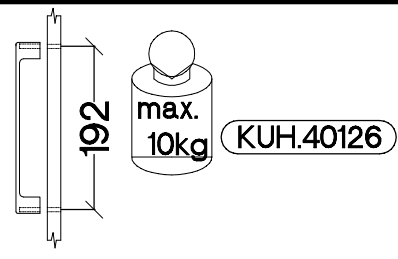
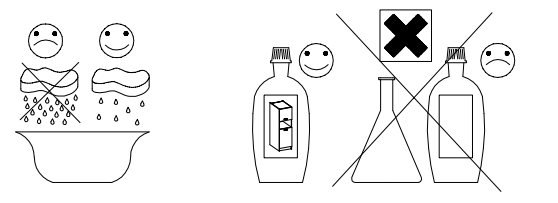
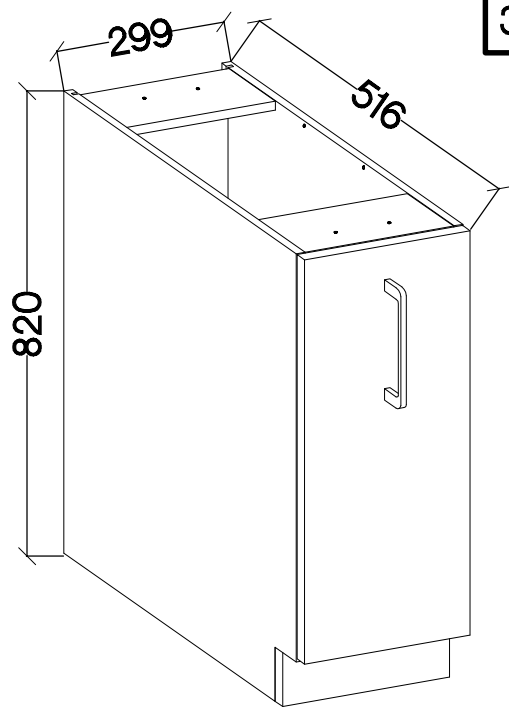





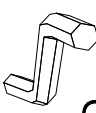
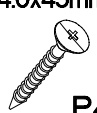
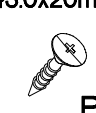


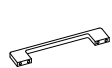
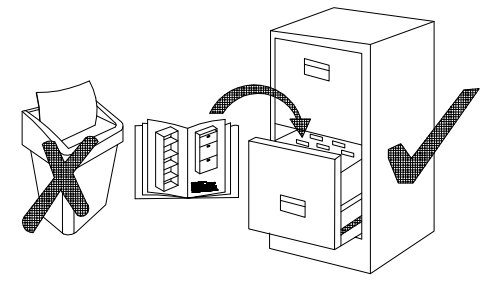


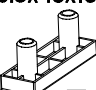
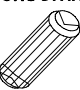
**30 D CARGO BB**

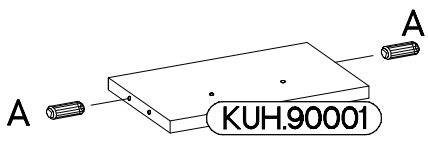
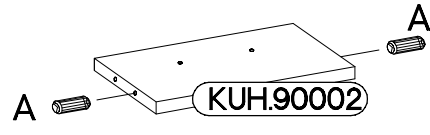
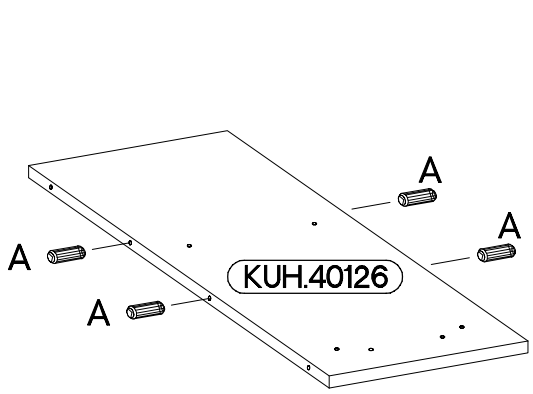
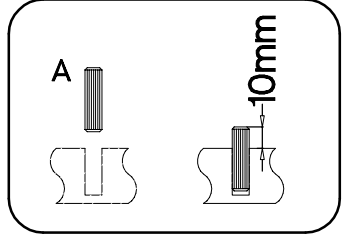
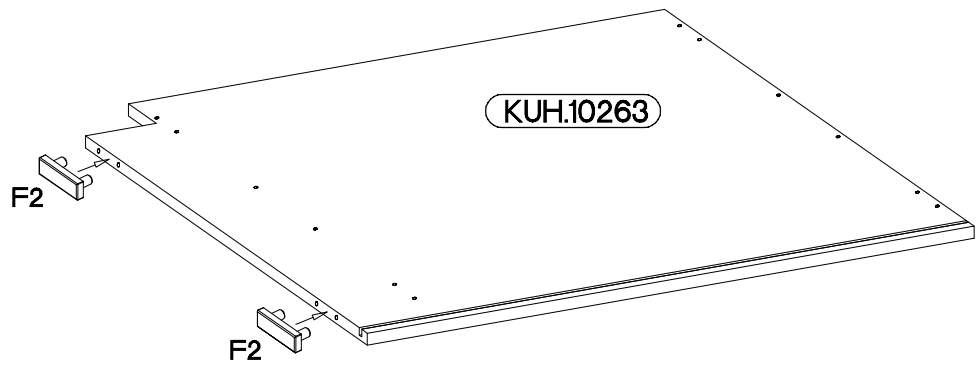
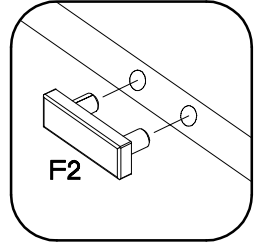
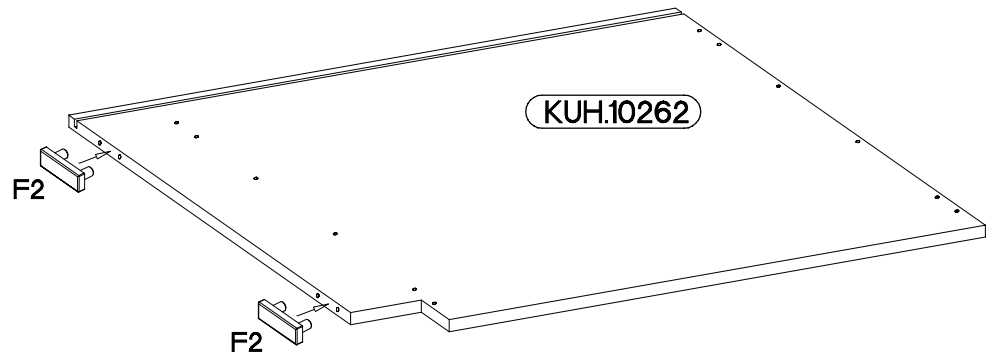
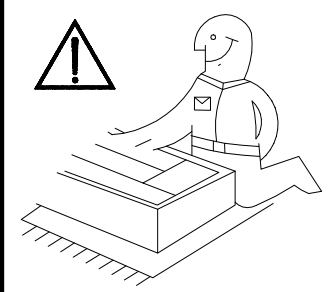


 A	 B	 E1	 E9	 F2	 O
8	8	8	2	4	1
 P4	 P7	 R2	 R3	 S15	
2	8-10	2	4	1	


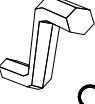



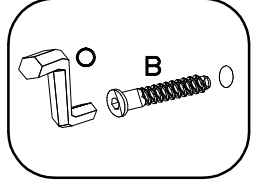
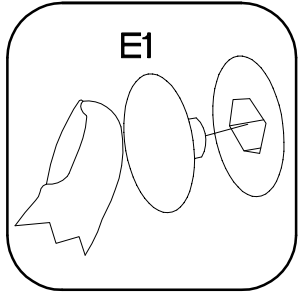
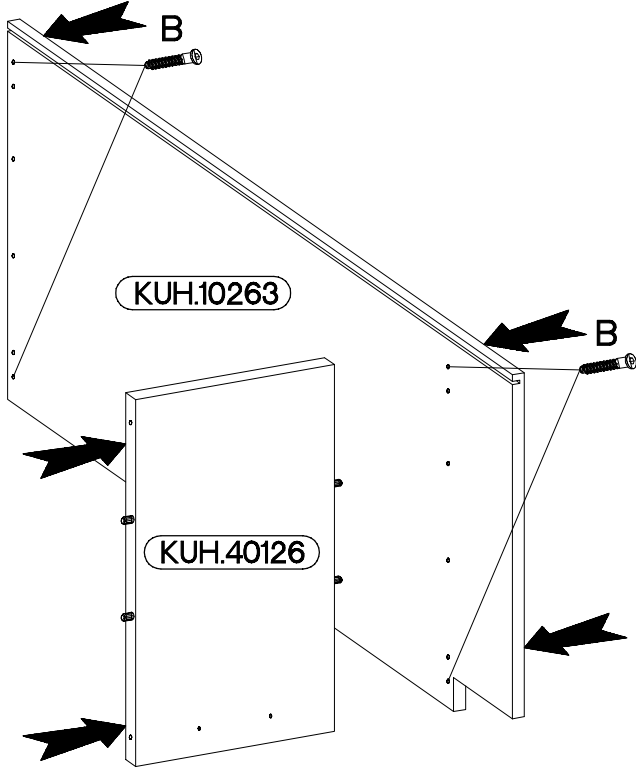
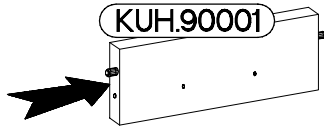
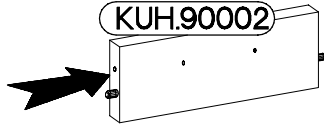
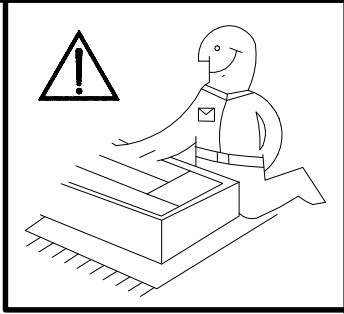
1

6.5x48x16  F2 4	+8x30mm  A 8
--	---


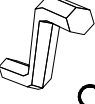



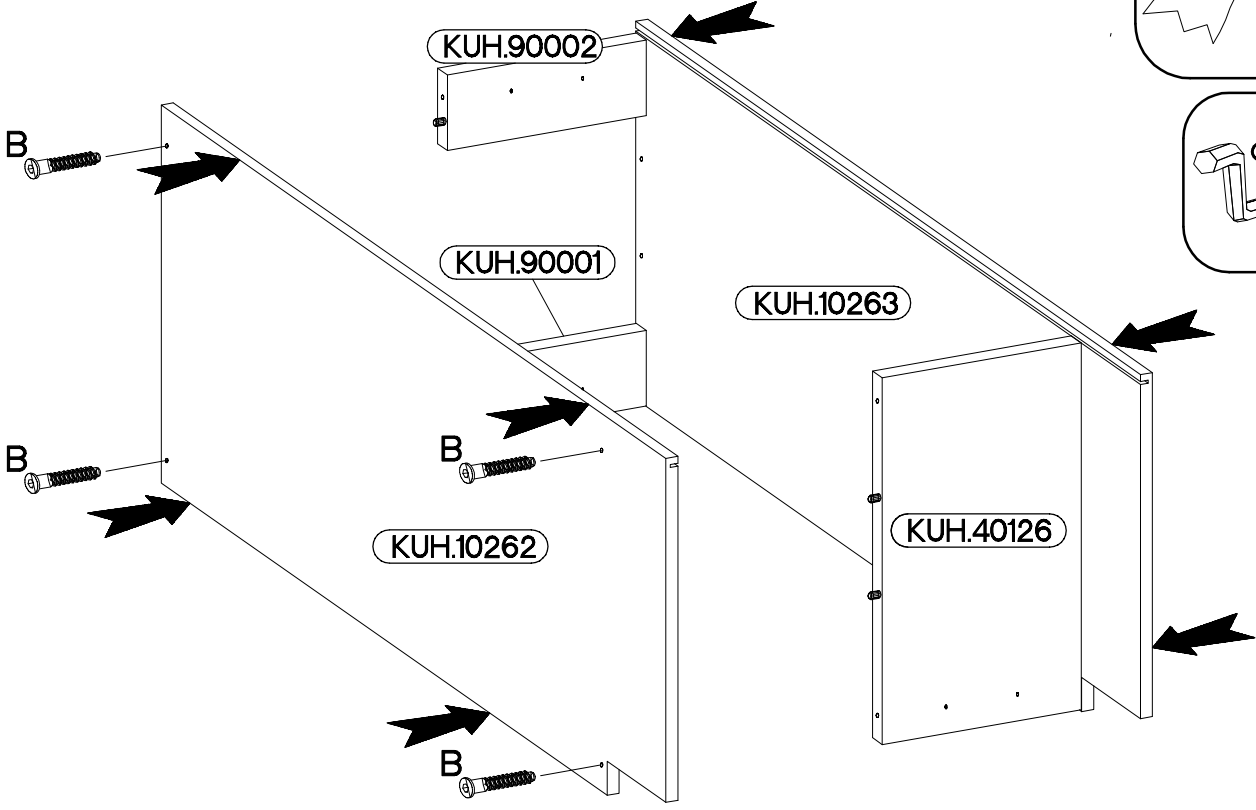
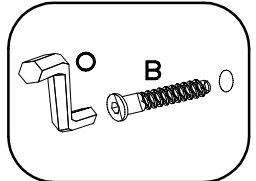
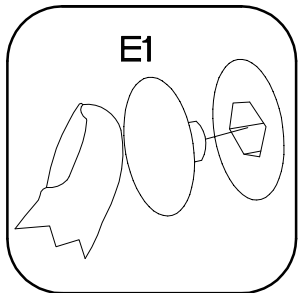
2

6,4 x 50mm		
		
<b>B</b>	<b>O</b>	<b>E1</b>
4	1	4

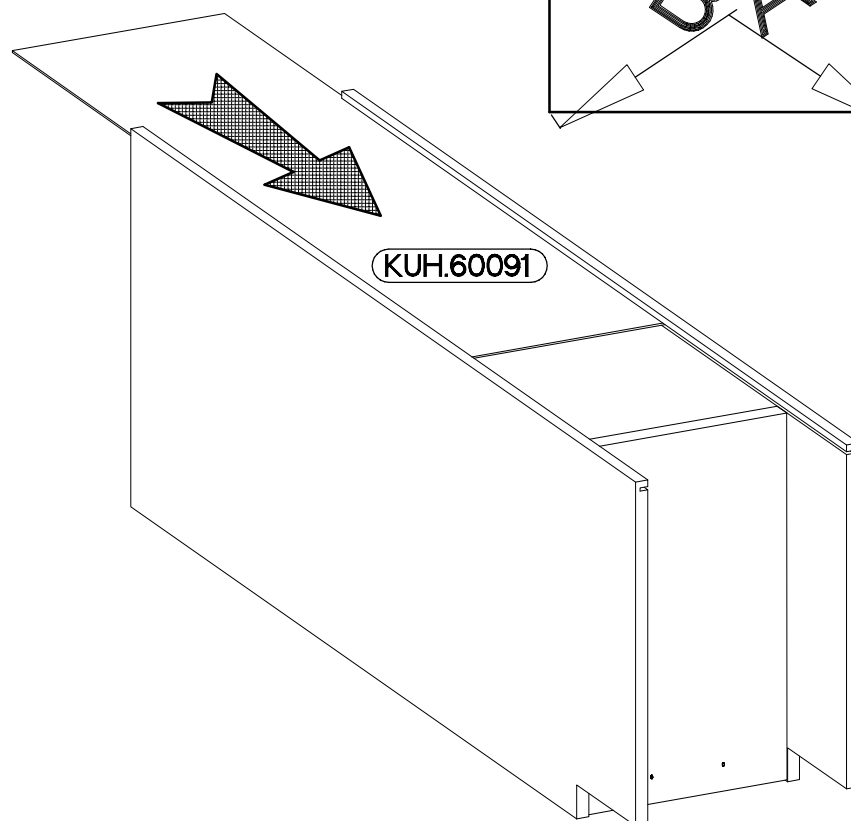
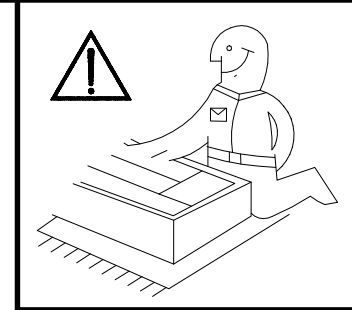
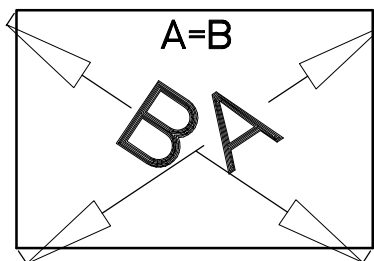


3

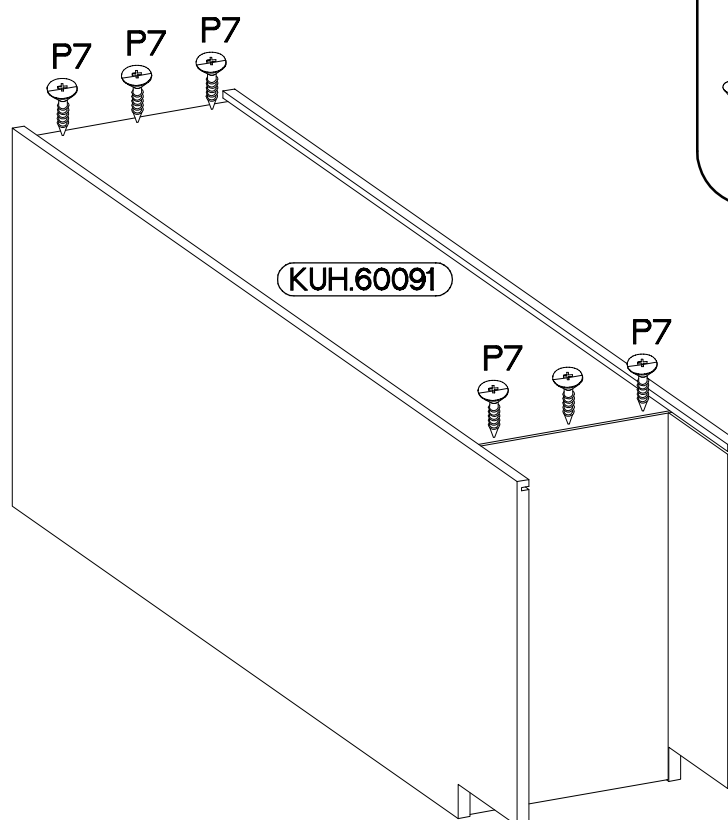
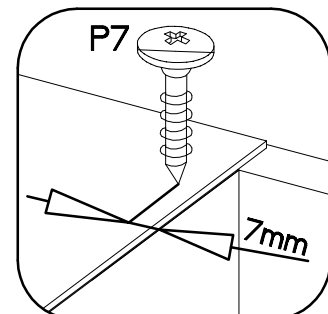
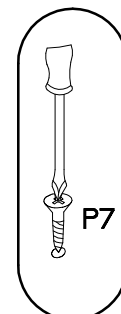
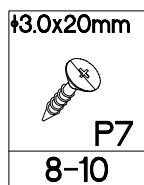
6,4 x 50mm		
		
<b>B</b>	<b>O</b>	<b>E1</b>
4	1	4





4

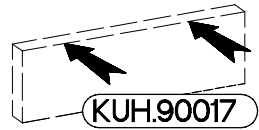
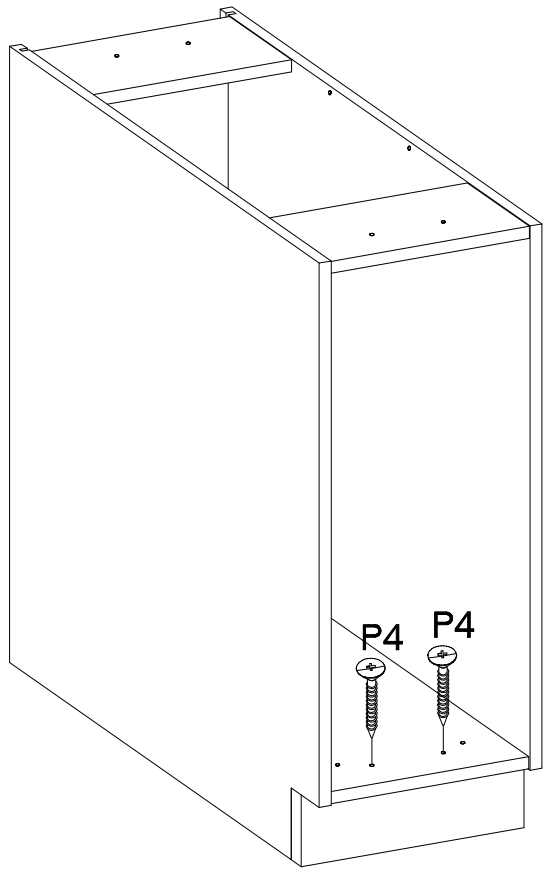
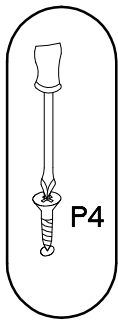
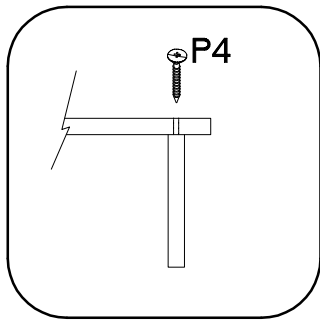


5




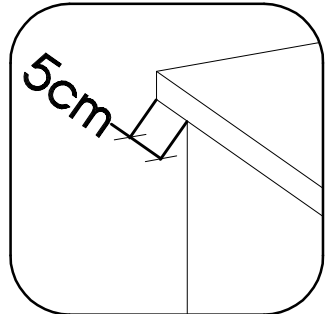
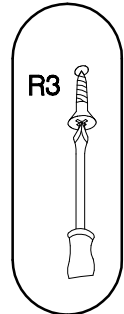
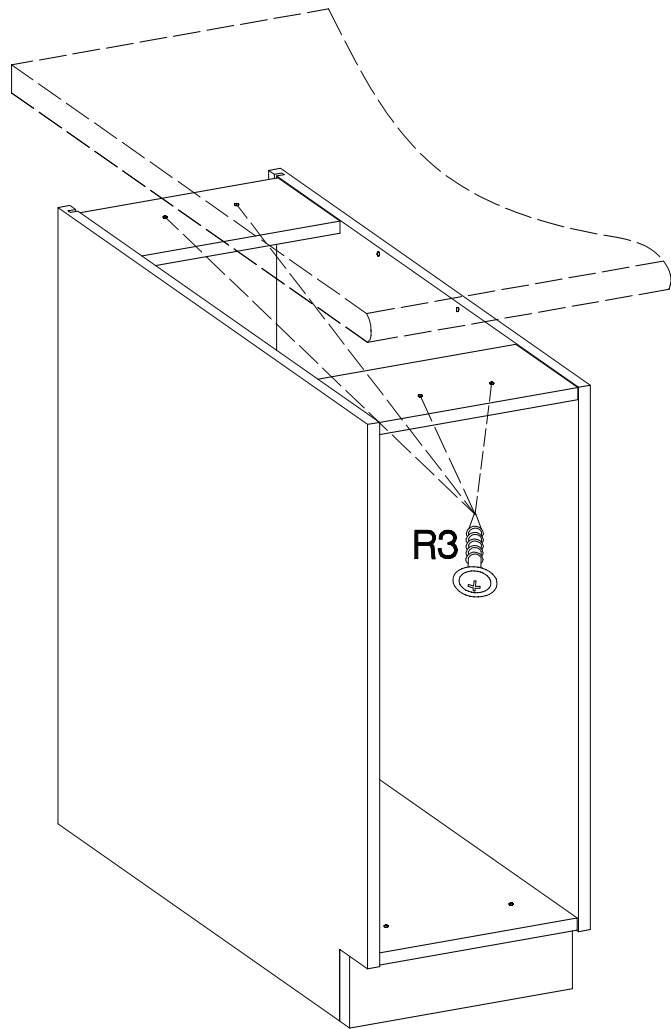
6

4.0x45mm	
	E9
P4	
2	2

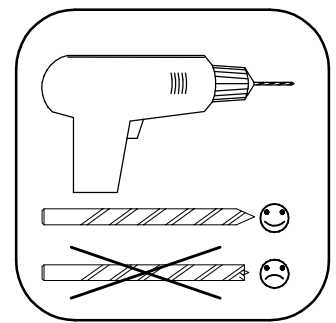
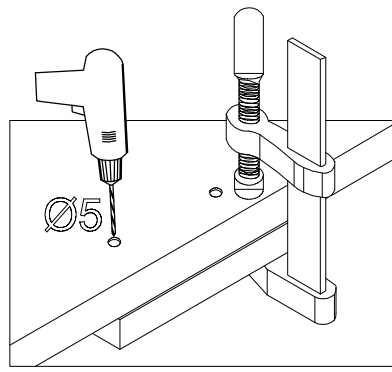
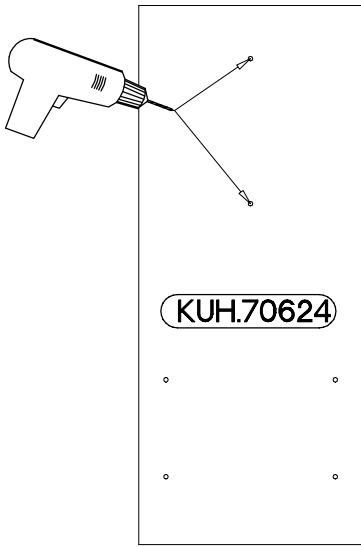


7

4.0x35mm	
R3	
4	

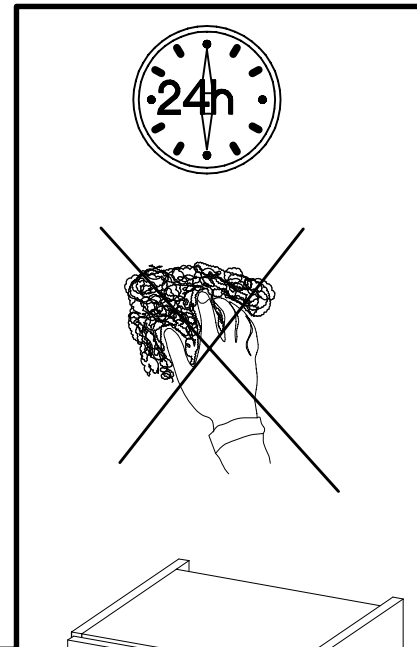
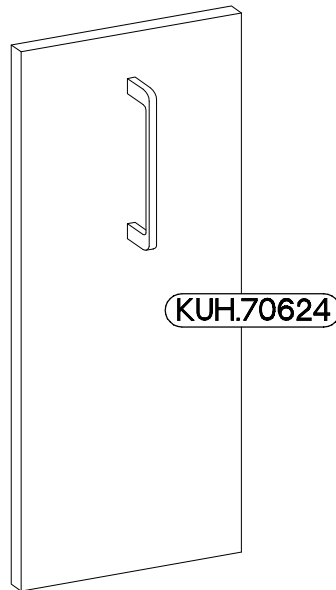
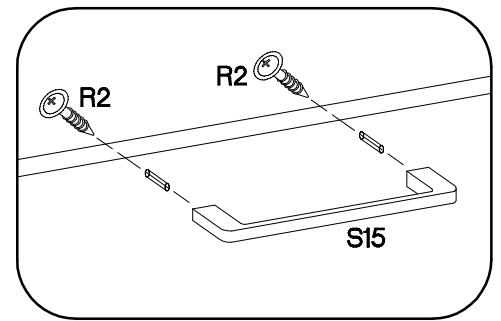
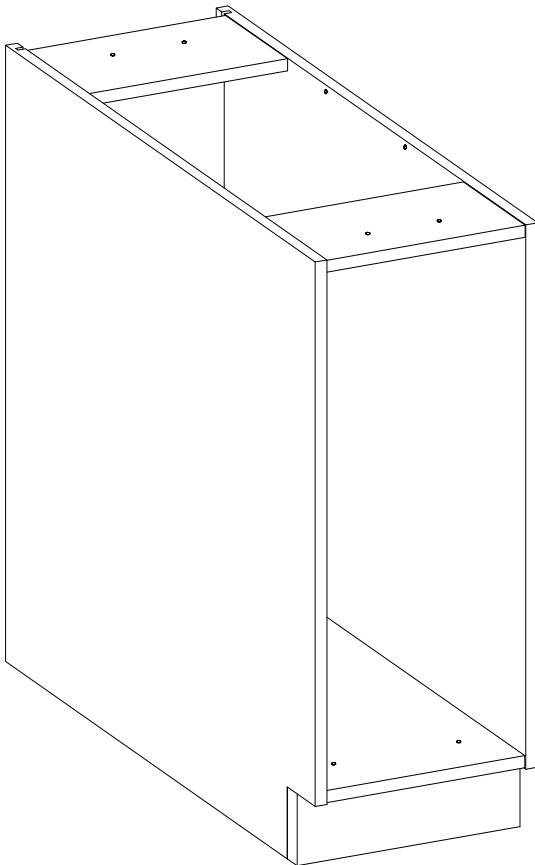


8



9

<p>±4.0x30mm</p> <p>R2</p> <p>2</p>	<p>S15</p> <p>1</p>
-------------------------------------	---------------------



VARIANT HIGH GLOSS

