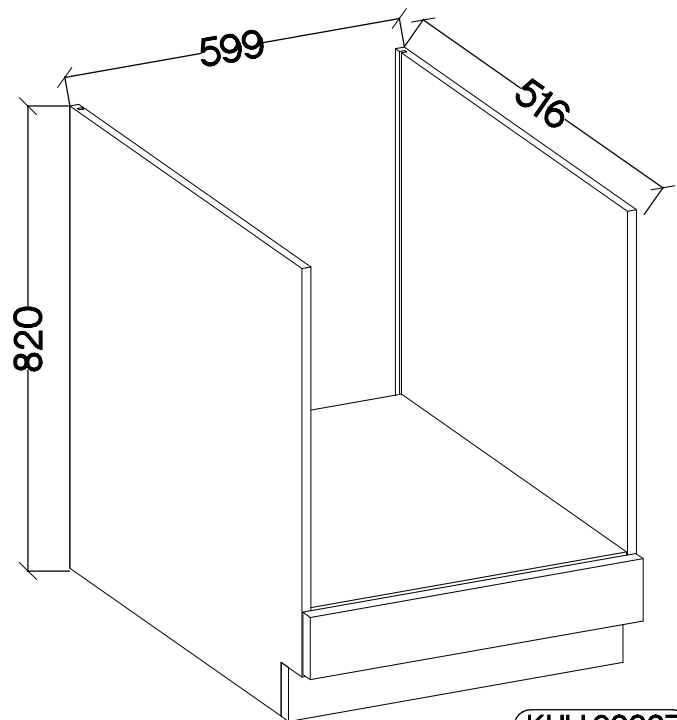
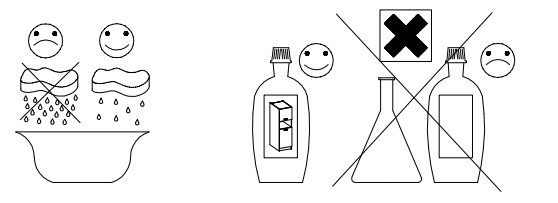
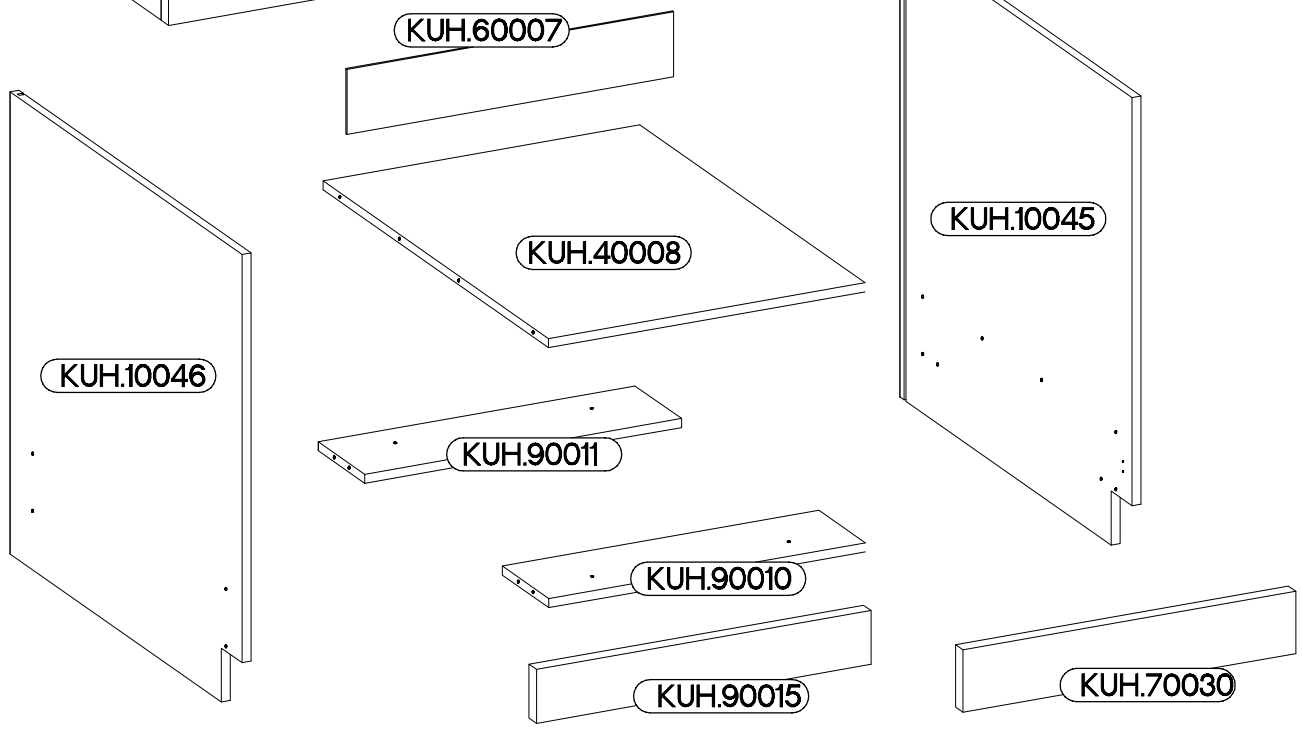
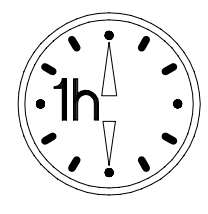


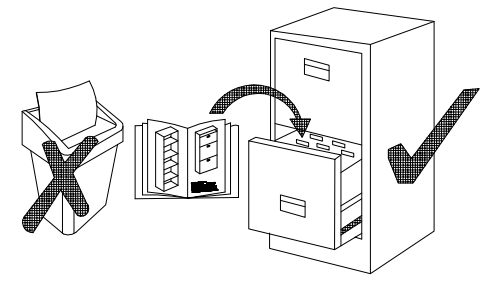
60 D GAZ BB



KUH.40008

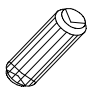
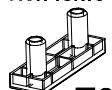




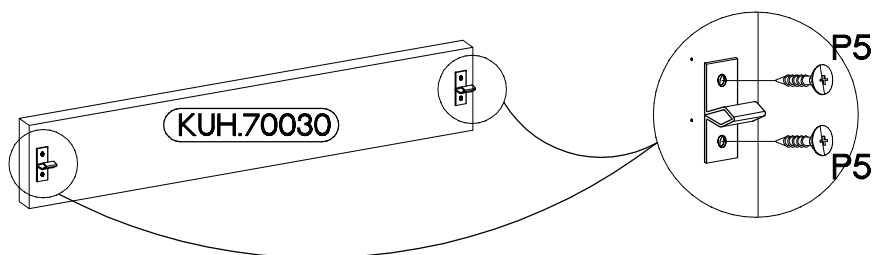
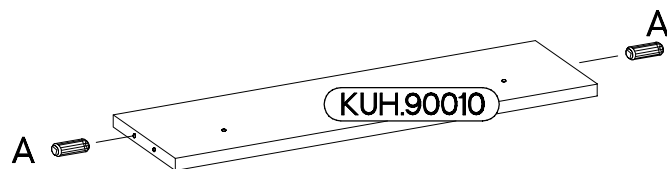
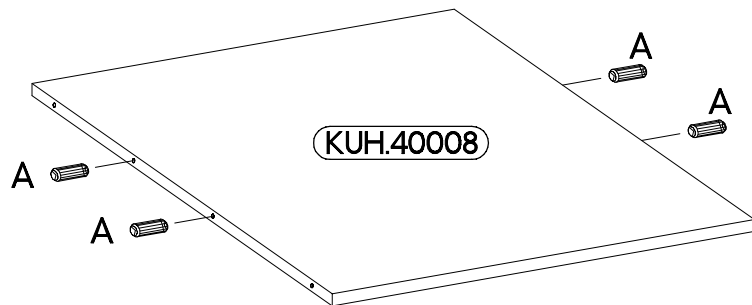
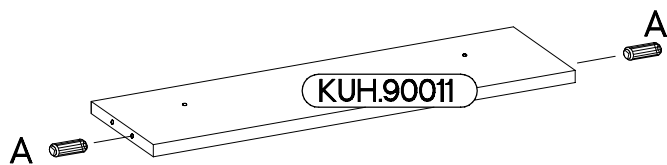
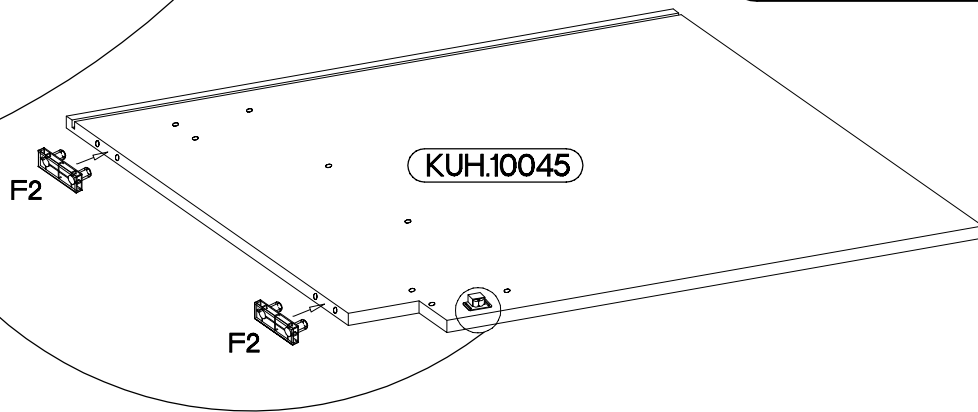
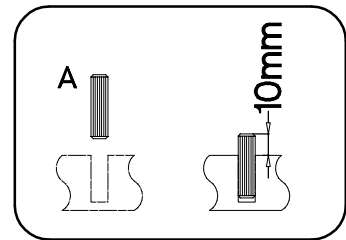
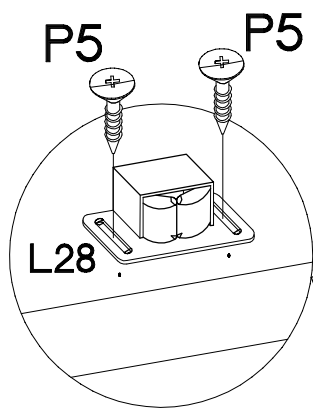
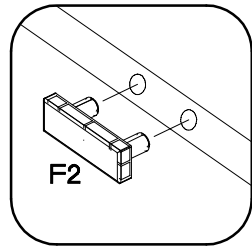
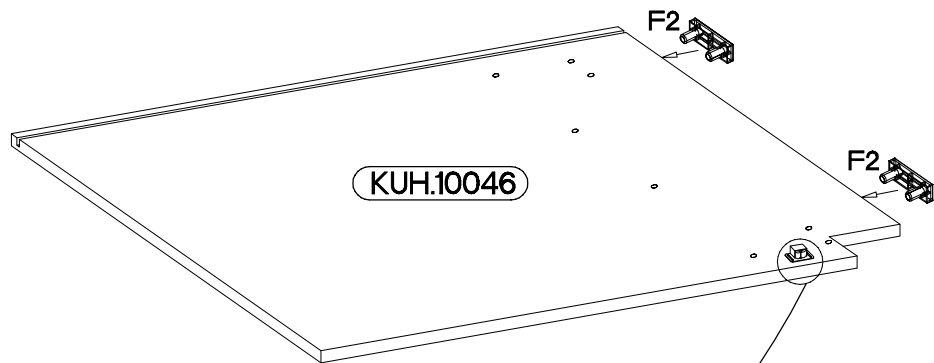
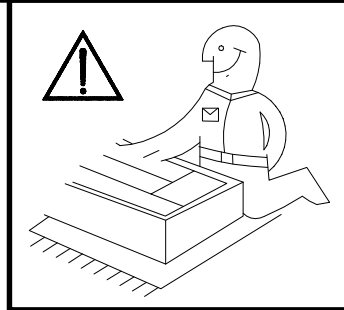
$\pm 8 \times 30 \text{mm}$ A	$6,4 \times 50 \text{mm}$ B	 E1	 E9	$6.5 \times 48 \times 16$ F2
8	8	8	2	4
 L28	 O	$\pm 4.0 \times 45 \text{mm}$ P4	$\pm 3.5 \times 13 \text{mm}$ P5	$\pm 3.0 \times 20 \text{mm}$ P7
2	1	2	8	8-10



ISM-KUH-00978

1

$\varnothing 8 \times 30 \text{mm}$  A 8	$6.5 \times 48 \times 16$  F2 4	 L28 2	$\varnothing 3.5 \times 13 \text{mm}$  P5 8
-----------------------------------------------------------------------------------------------------------------------------------	--------------------------------------------------------------------------------------------------------------------------	----------------------------------------------------------------------------------------------	--------------------------------------------------------------------------------------------------------------------------------------



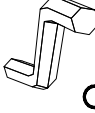
2

6,4 x 50mm



B

2



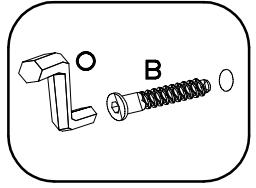
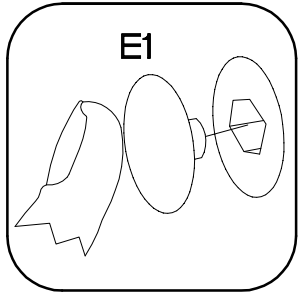
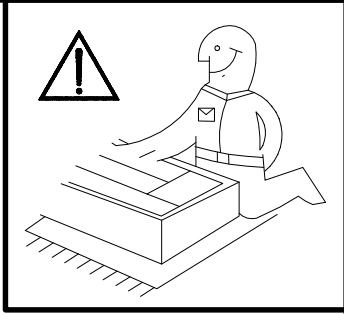
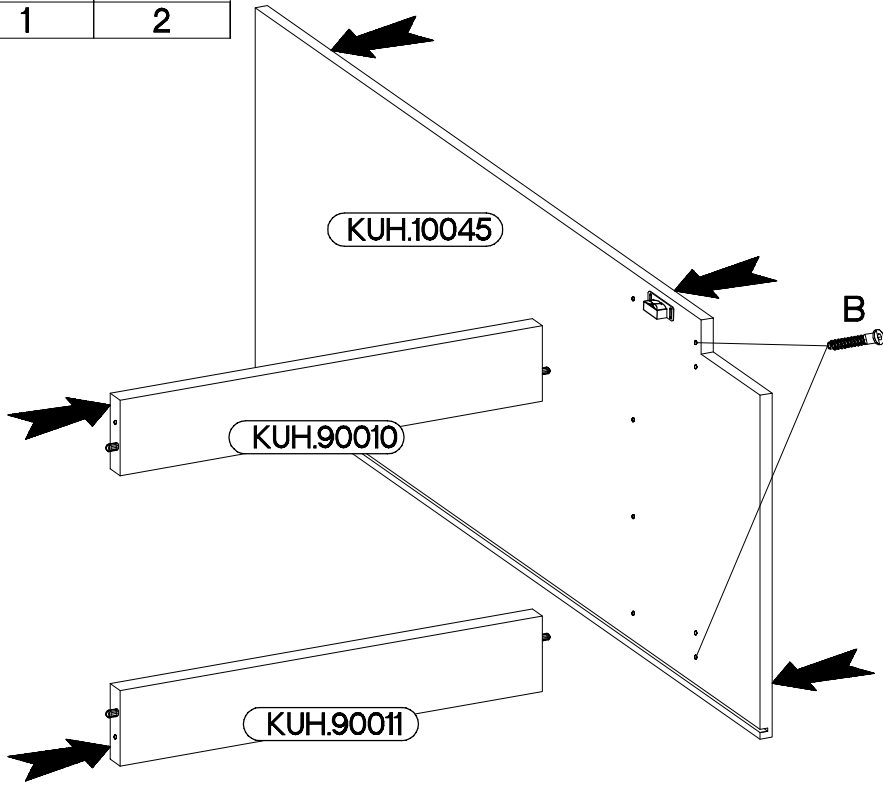
O

1



E1

2



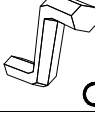
3

6,4 x 50mm



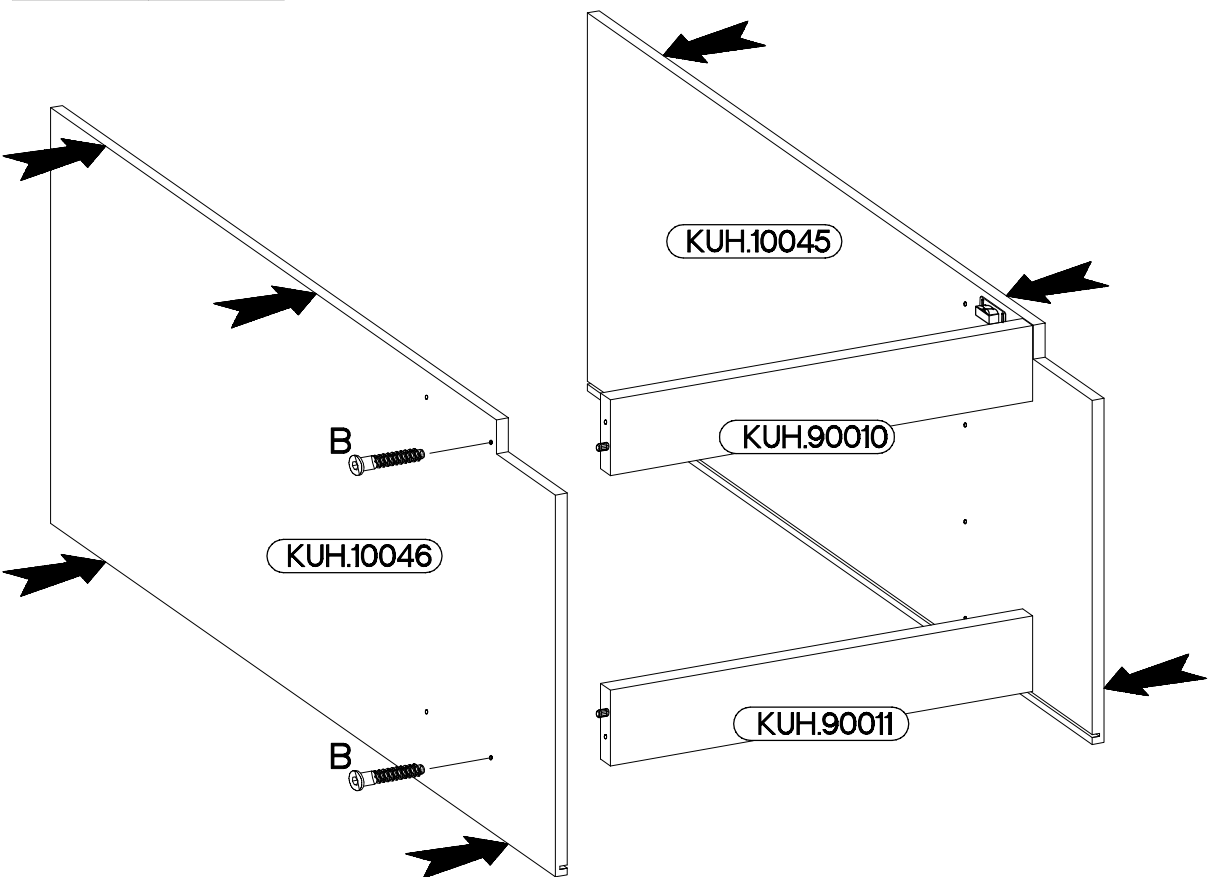
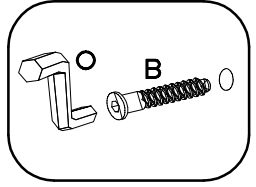
B

2




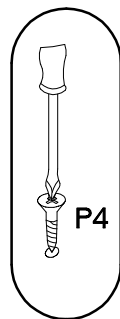
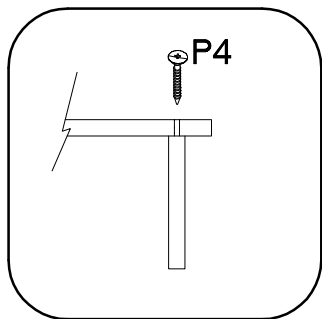
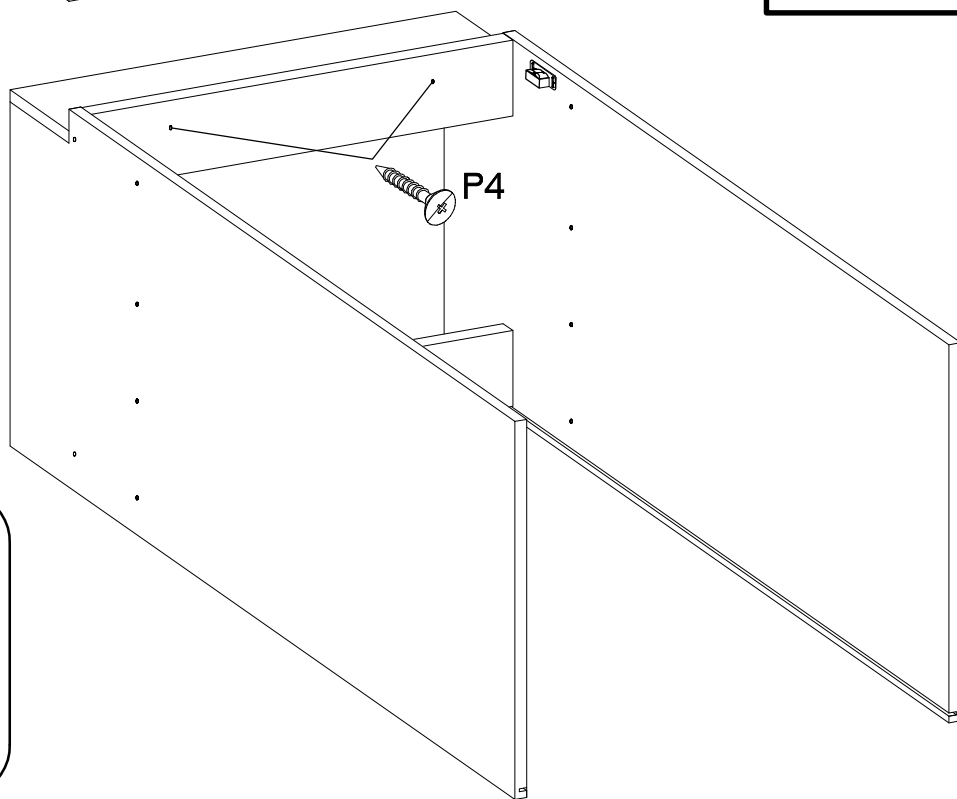
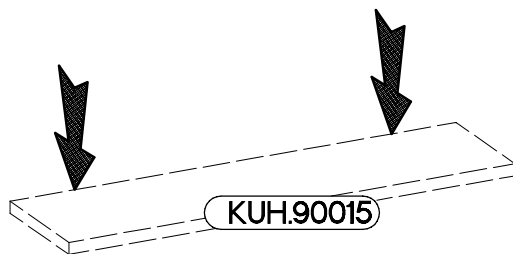
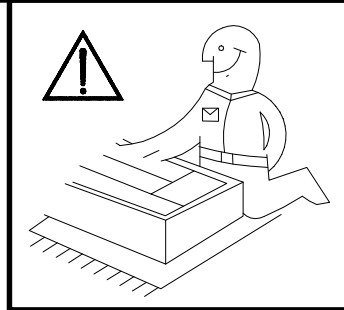
O

1

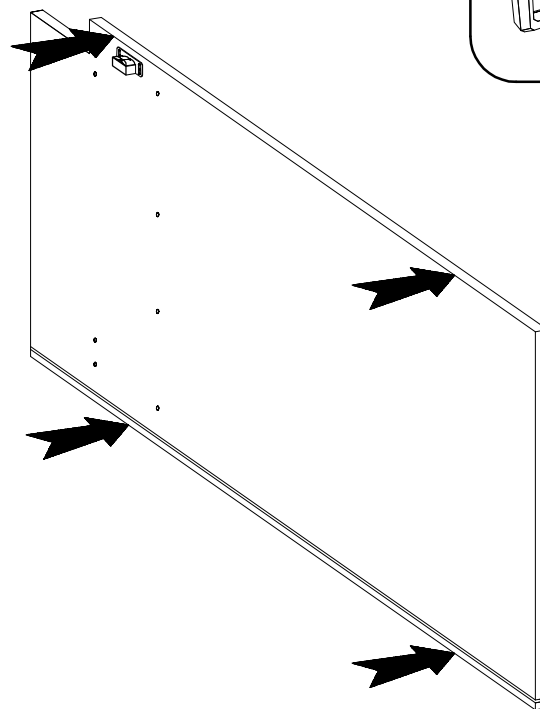
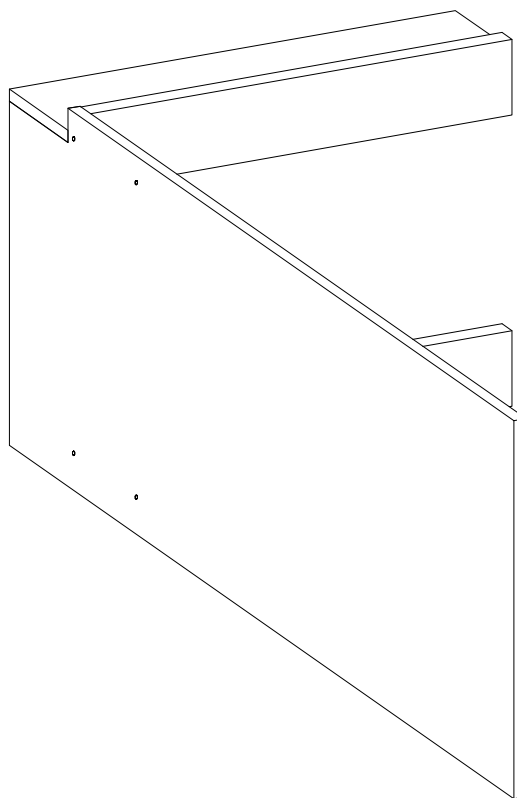
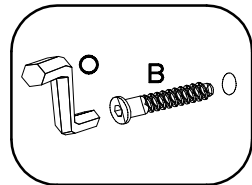


4

	$\pm 4.0 \times 45 \text{mm}$
E9	P4
2	2

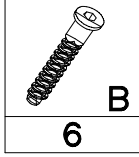


5



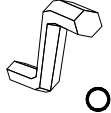
6

6,4 x 50mm



B

6



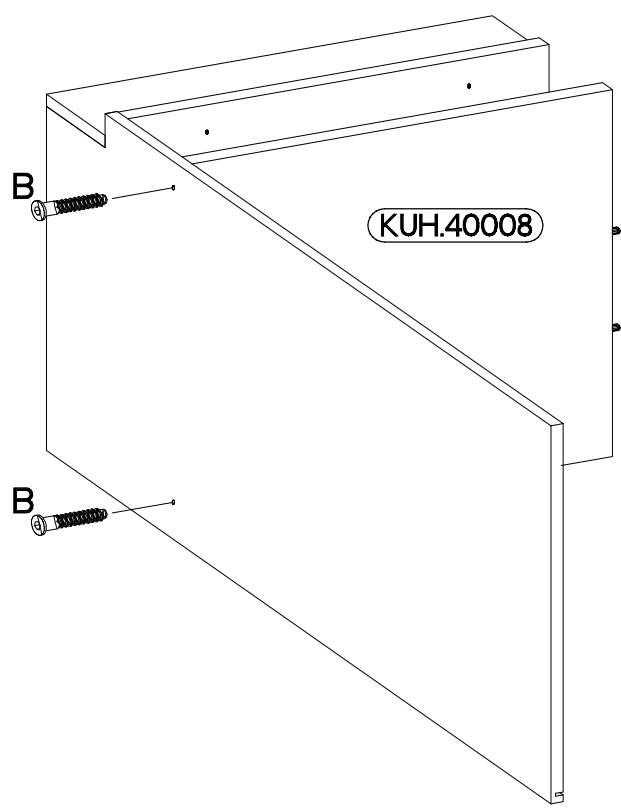
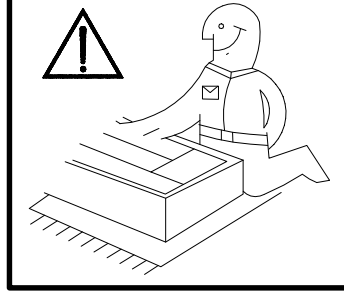
O

1

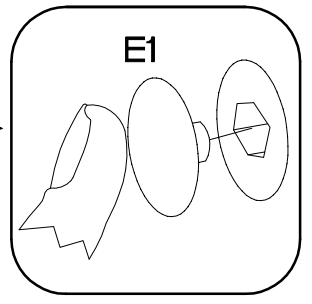
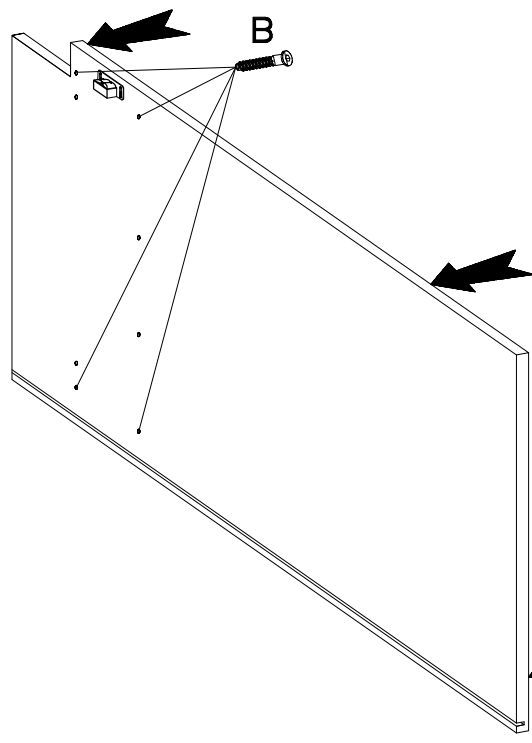


E1

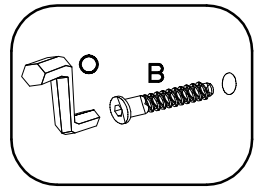
6



KUH.40008



E1

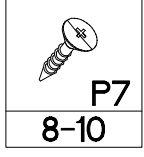


O

B

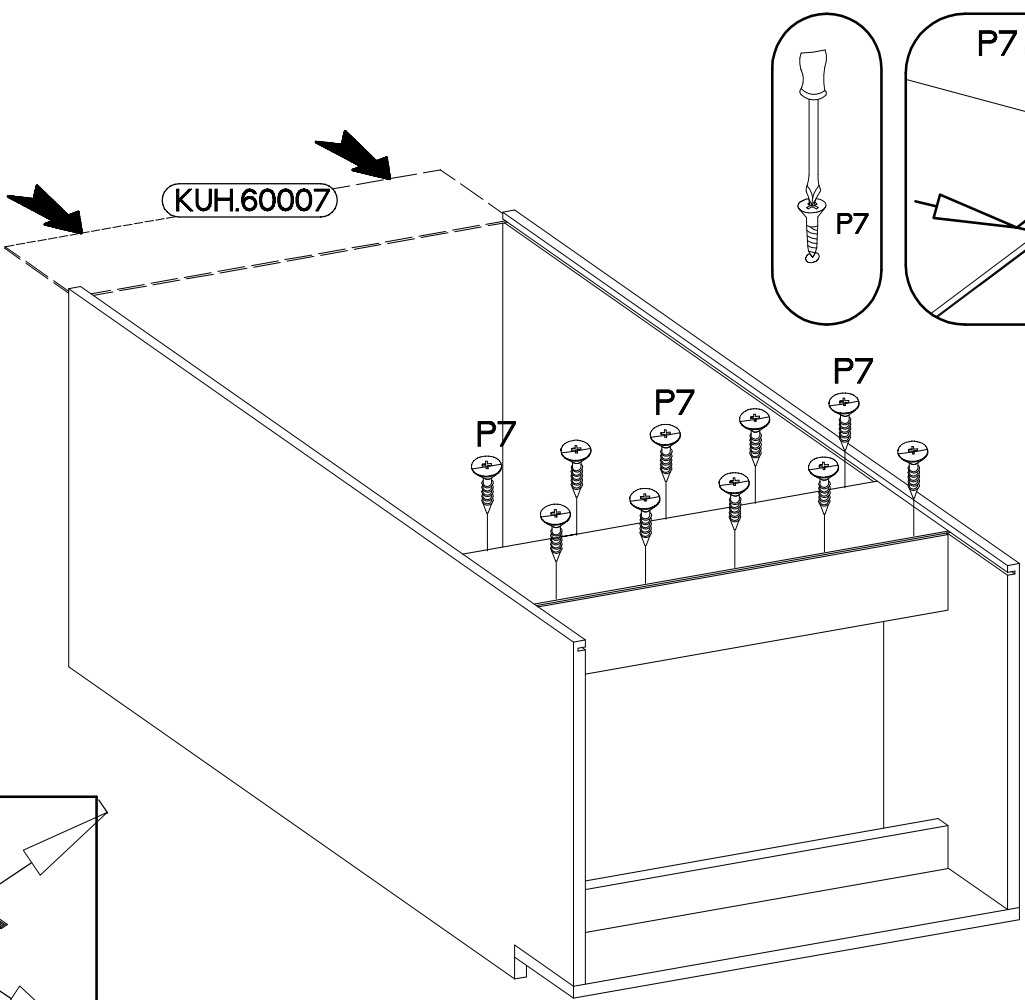
7

±3.0x20mm

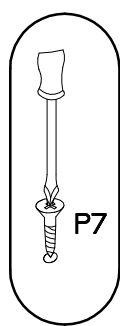


P7

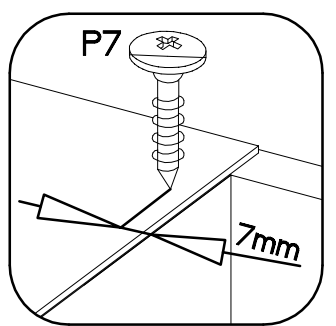
8-10



KUH.60007

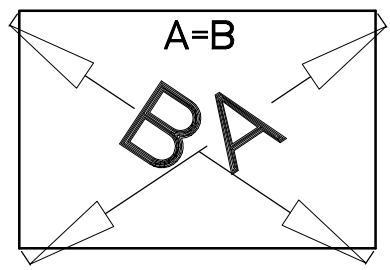


P7



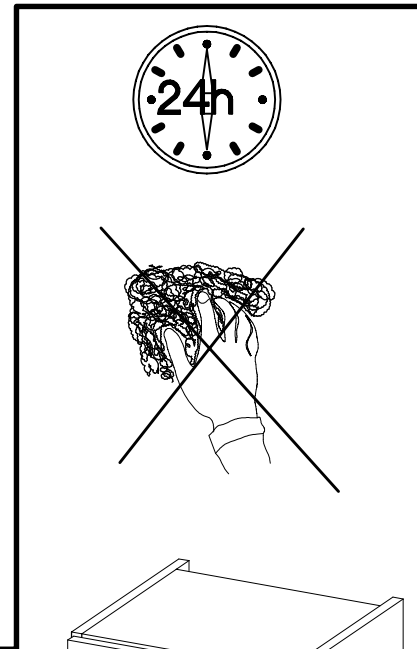
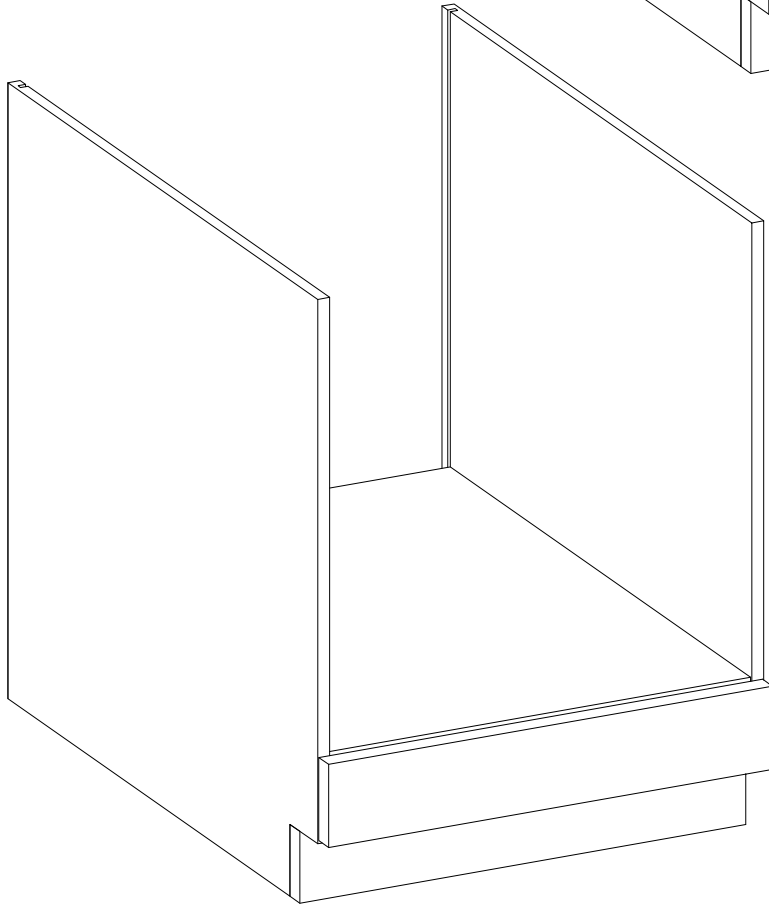
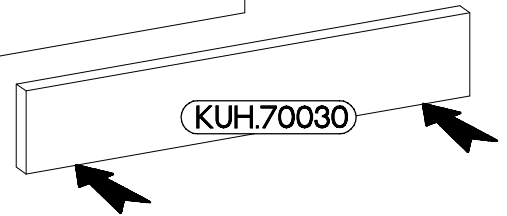
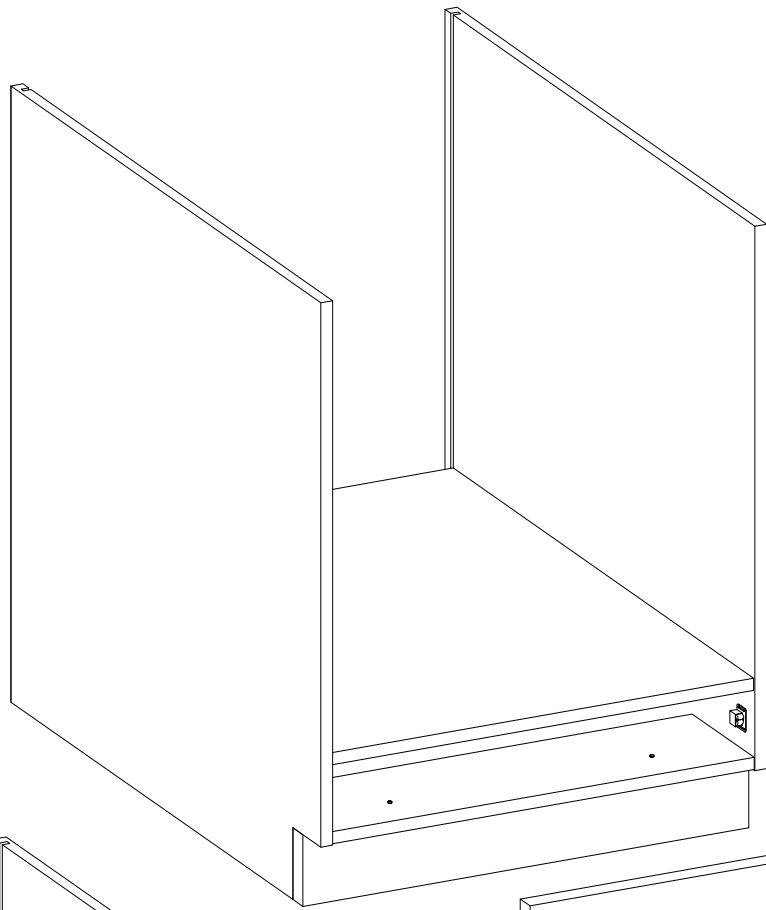
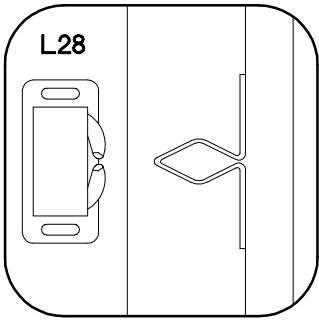
P7

7mm



A=B

BA



VARIANT HIGH GLOSS

