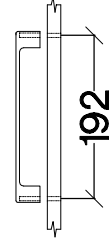
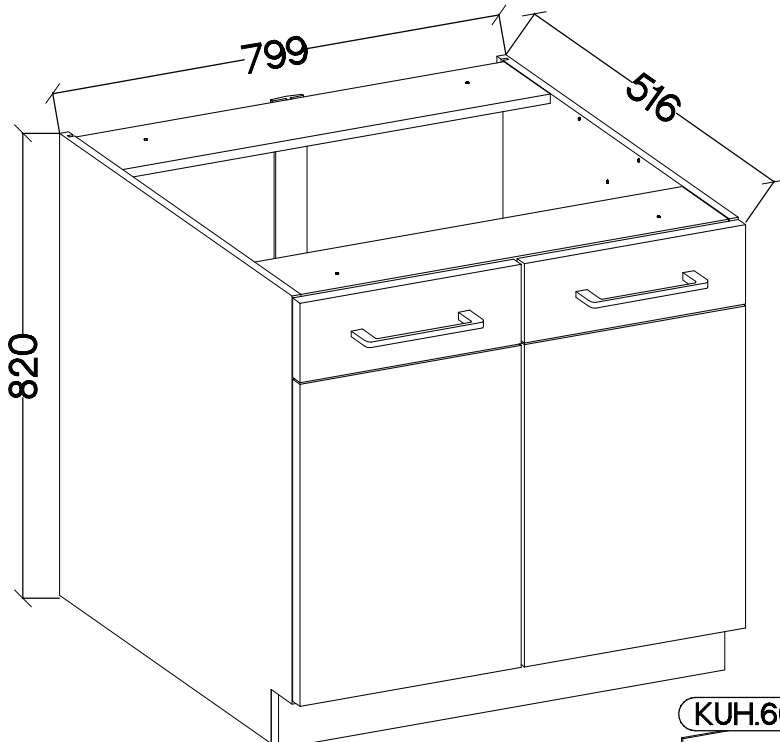
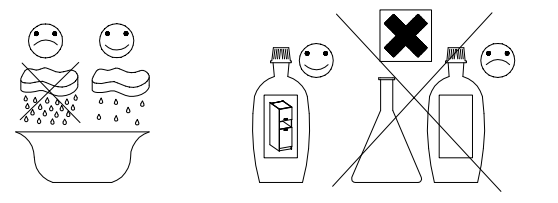
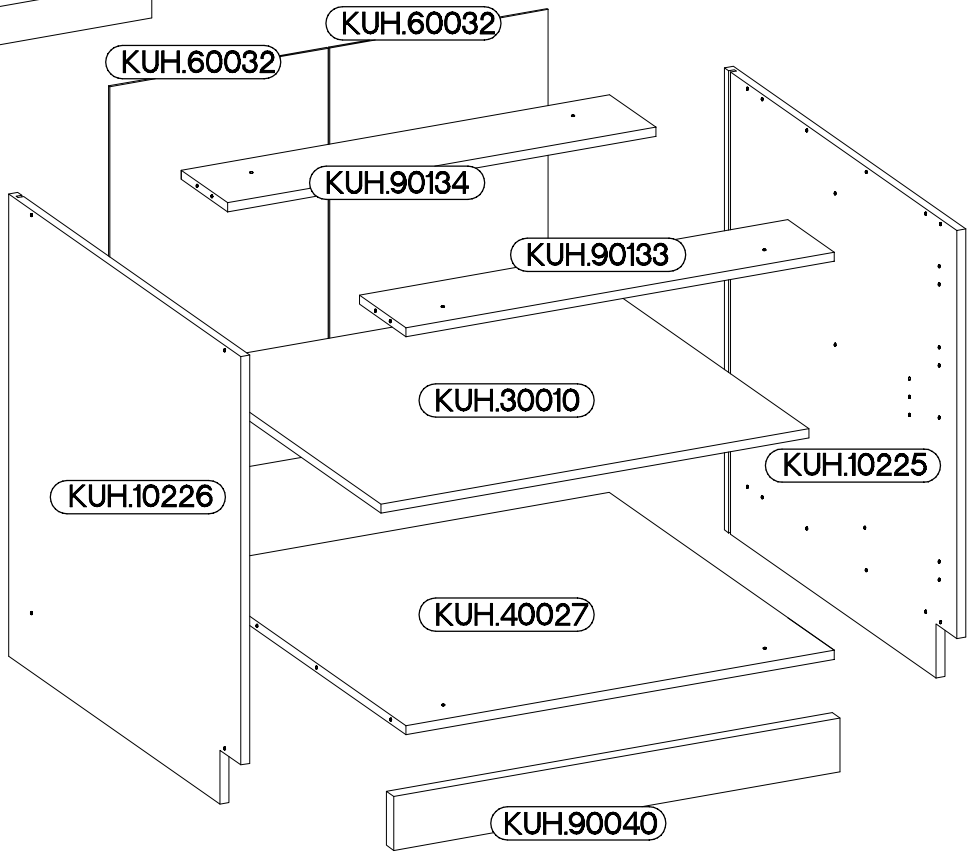
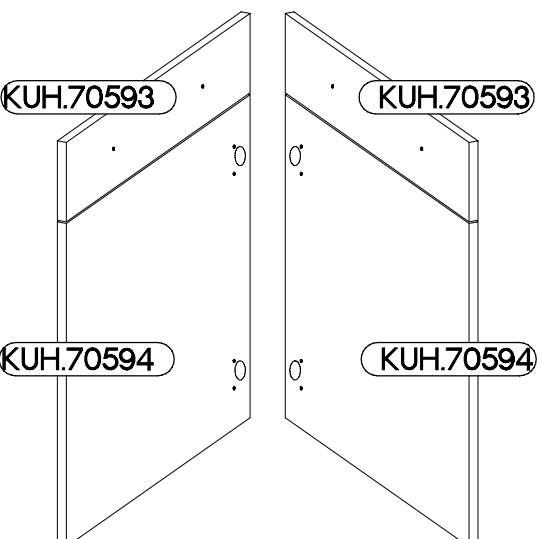
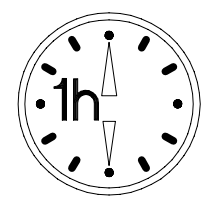


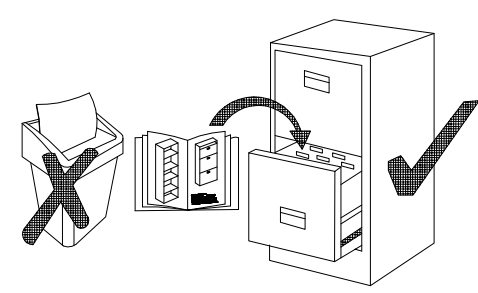
80 D 2F BB



max. 10kg
 KUH.30010
 KUH.40027

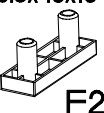
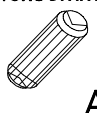


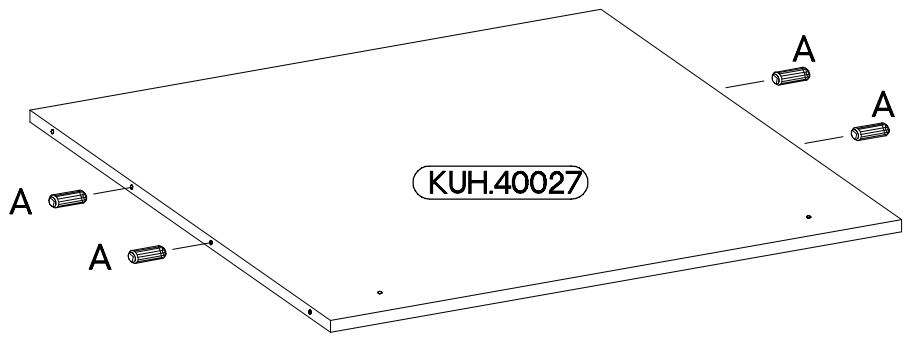
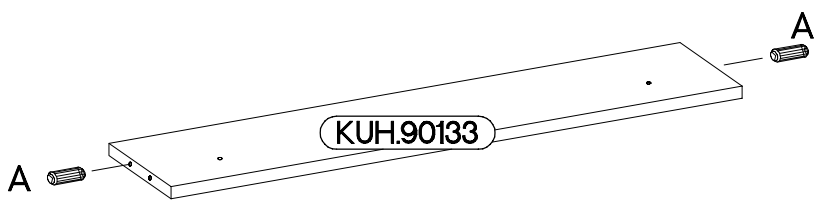
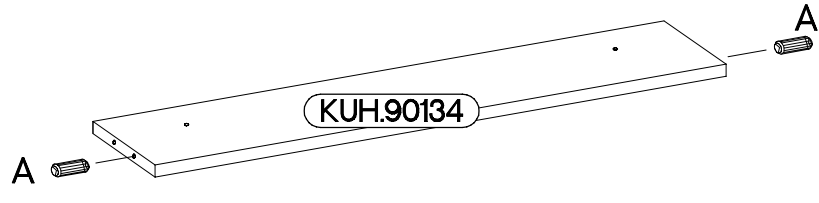
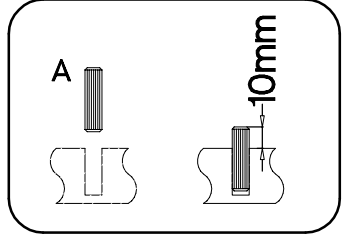
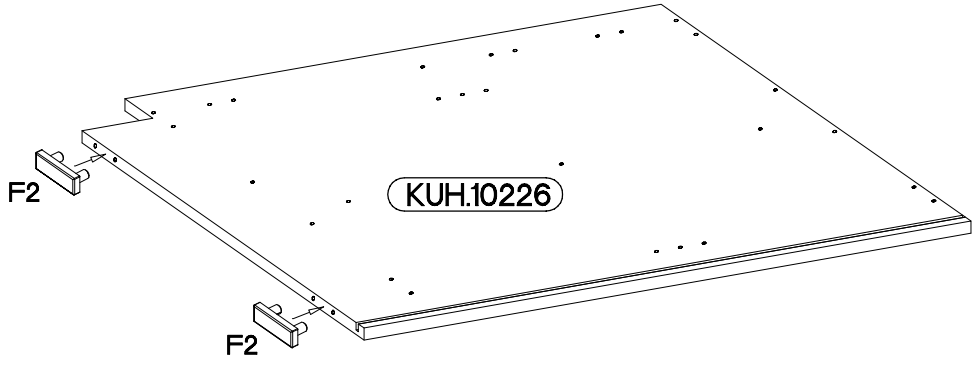
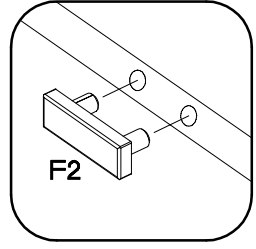
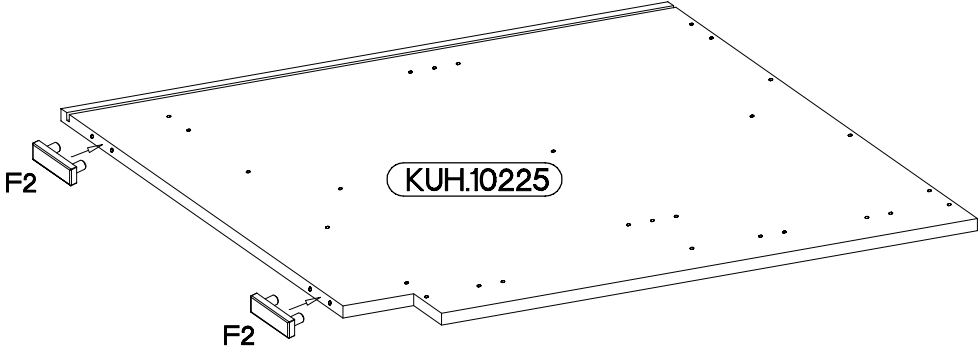
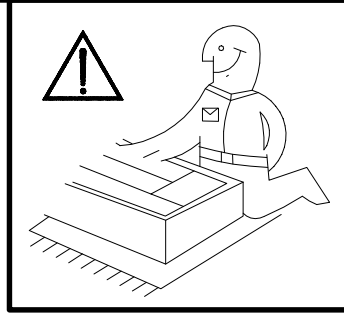
+8x30mm	6,4 x 50mm					
8	8	8				
	6.5x48x16	+35/0mm	+5/19mm			L1=680mm
2	4	4	4	4	2	1
	+4.0x45mm	+3.5x13mm	+3.0x20mm	+4.0x35mm	+4.0x30mm	
1	2	16	10-15	4	4	2



ISM-KUH-00975

1

6.5x48x16  F2 4	+8x30mm  A 8
--	---



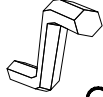
2

6,4 x 50mm



B

4



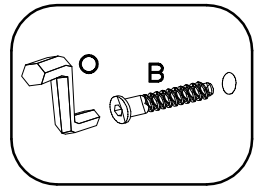
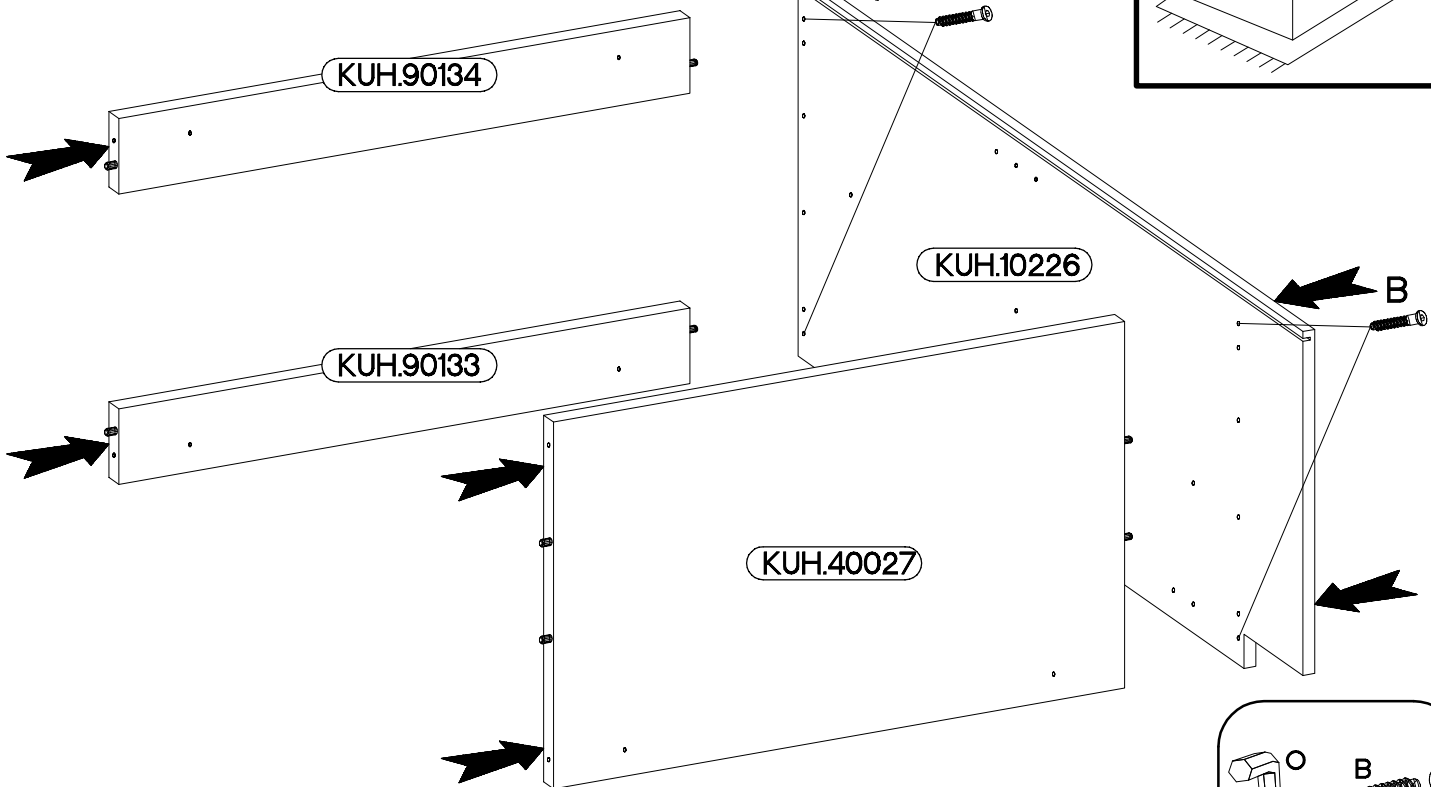
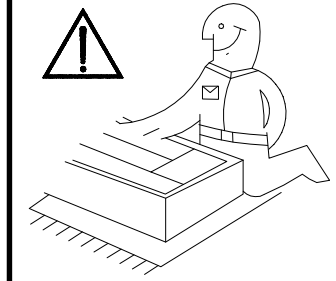
O

1



E1

4



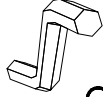
3

6,4 x 50mm



B

4



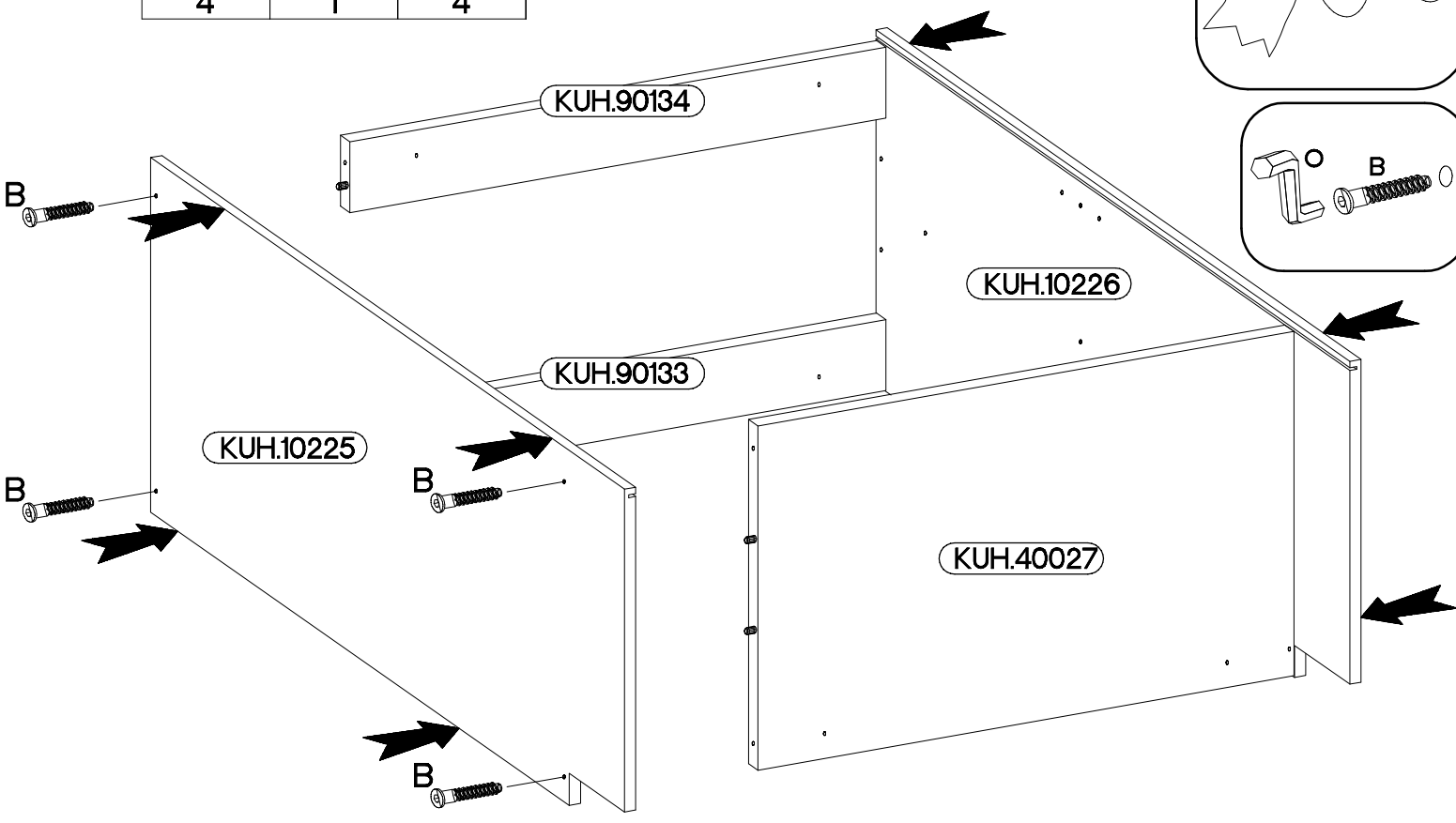
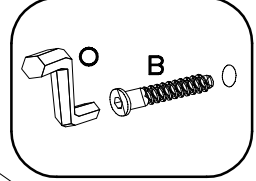
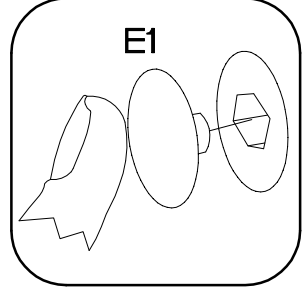
O

1




E1

4



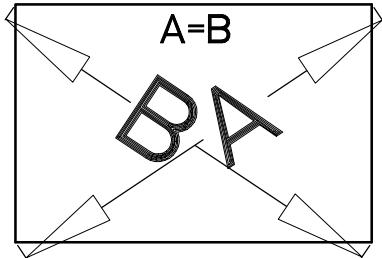
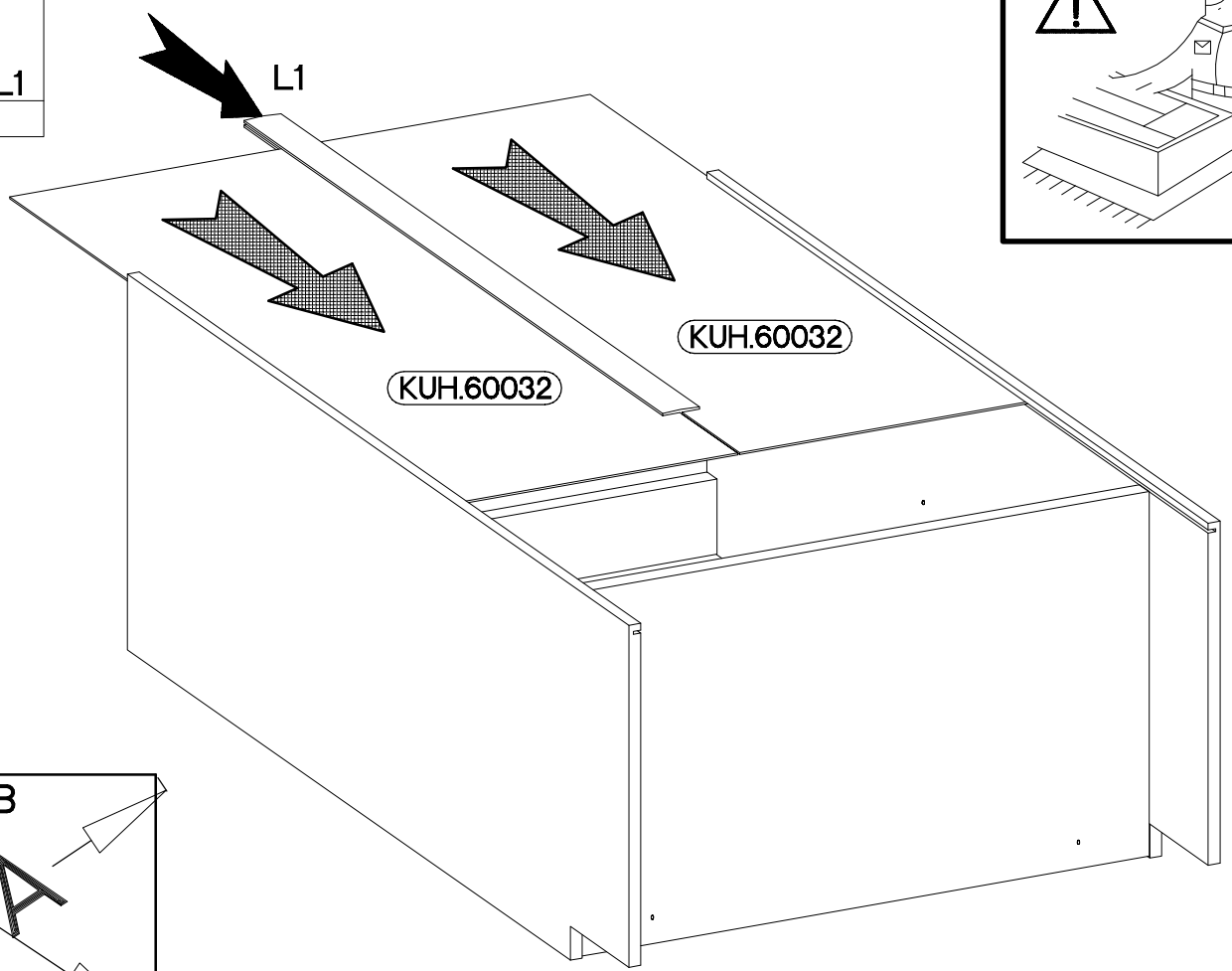
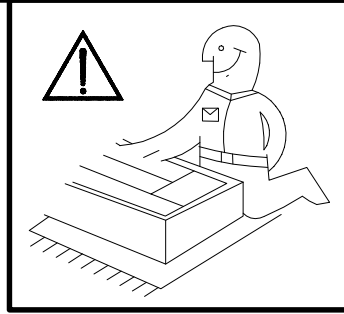
4

L1=680mm




L1

1



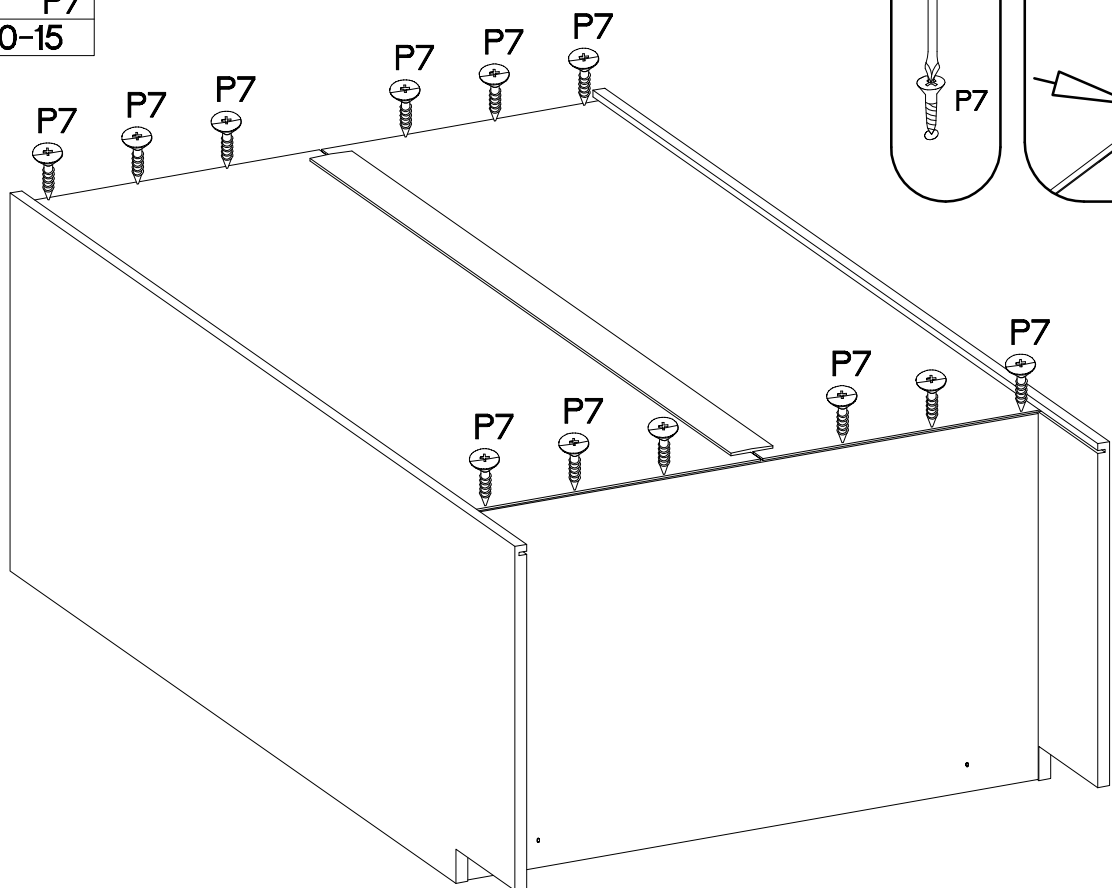
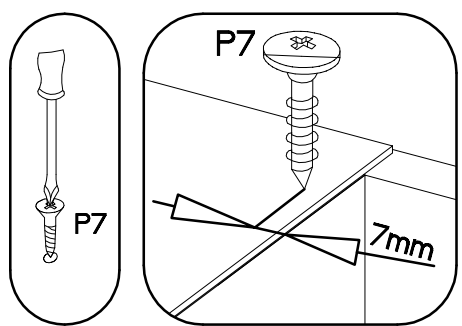
5

φ3.0x20mm



P7

10-15



6

±4.0x45mm



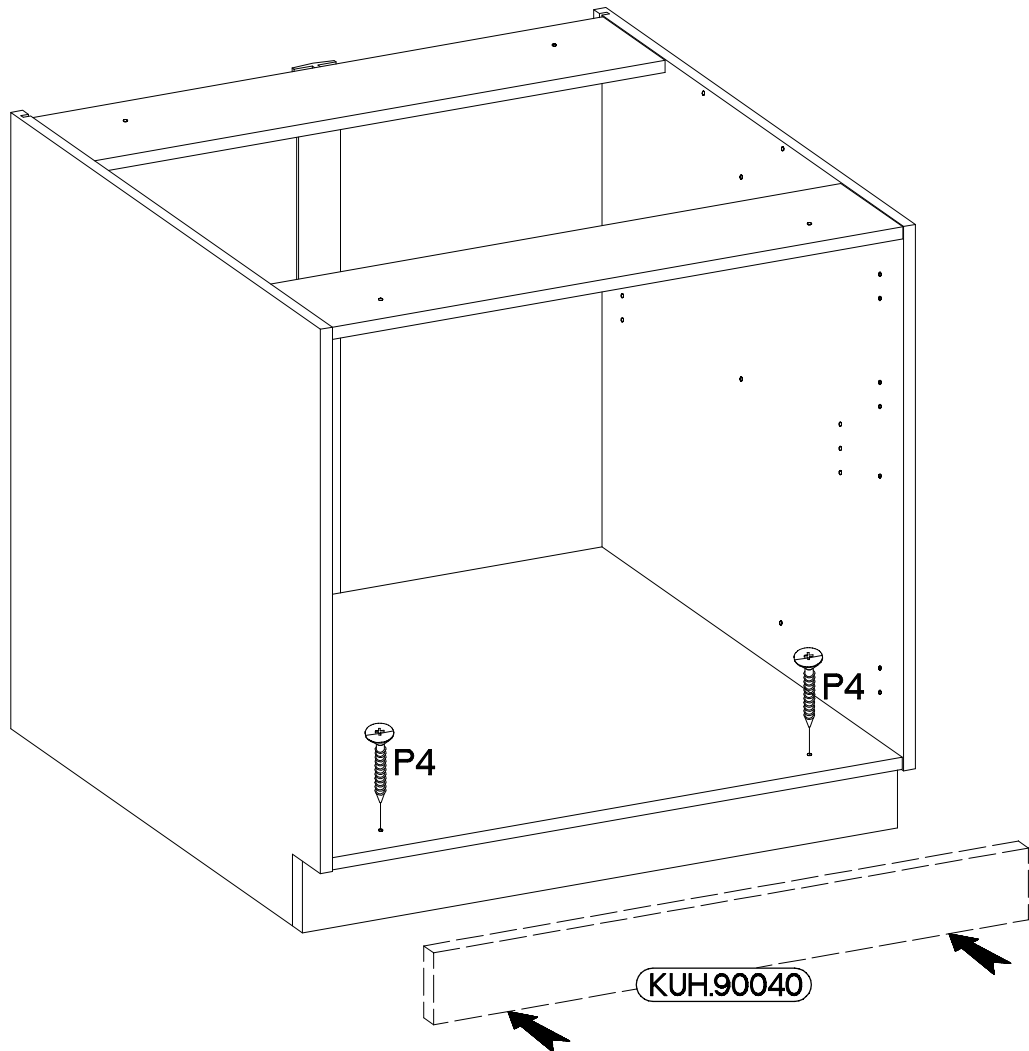
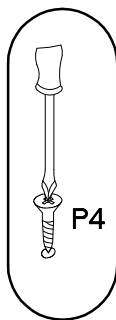
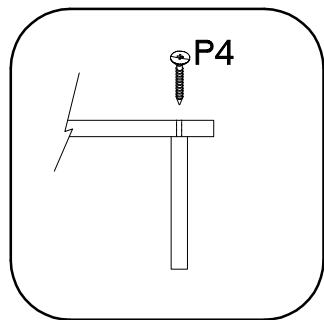
P4

2



E9

2



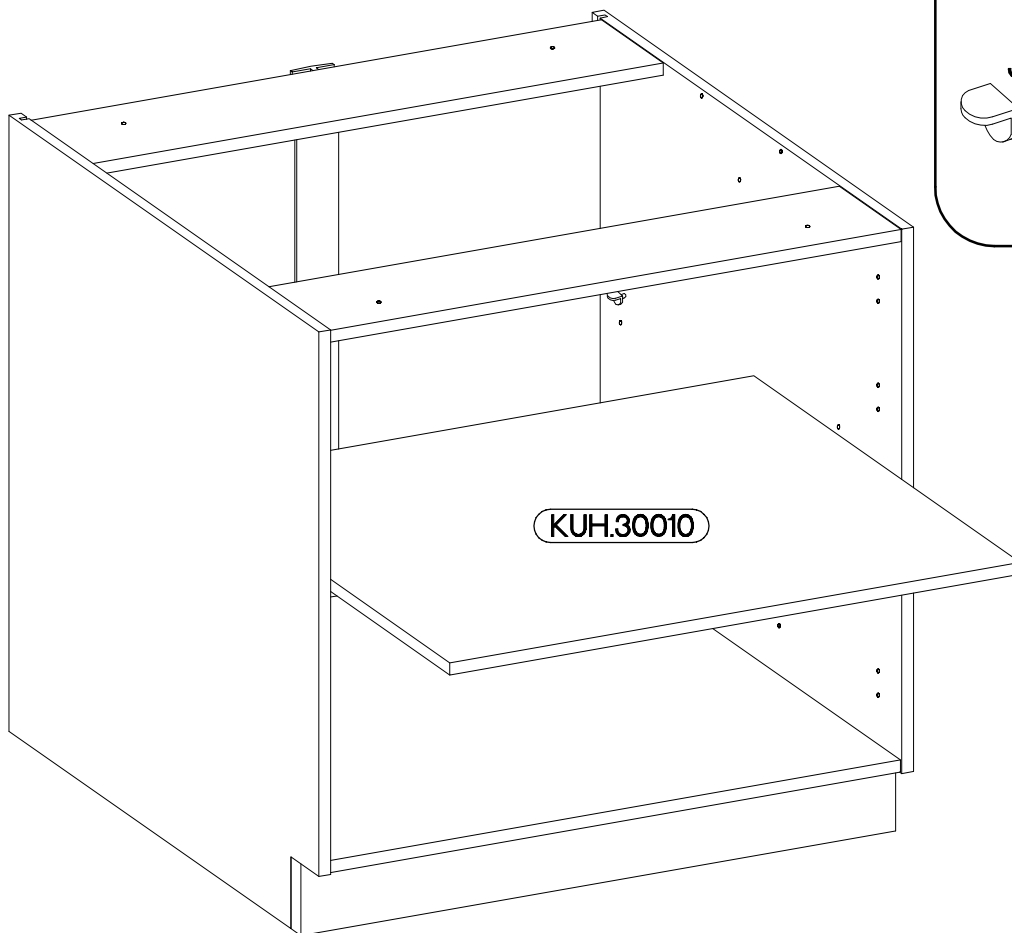
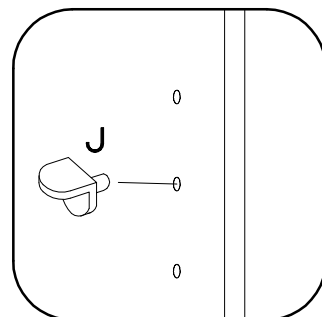
7

±5/19mm



J

4



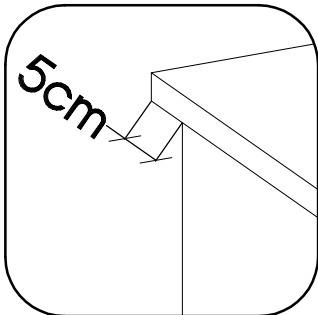
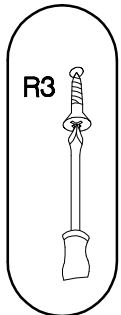
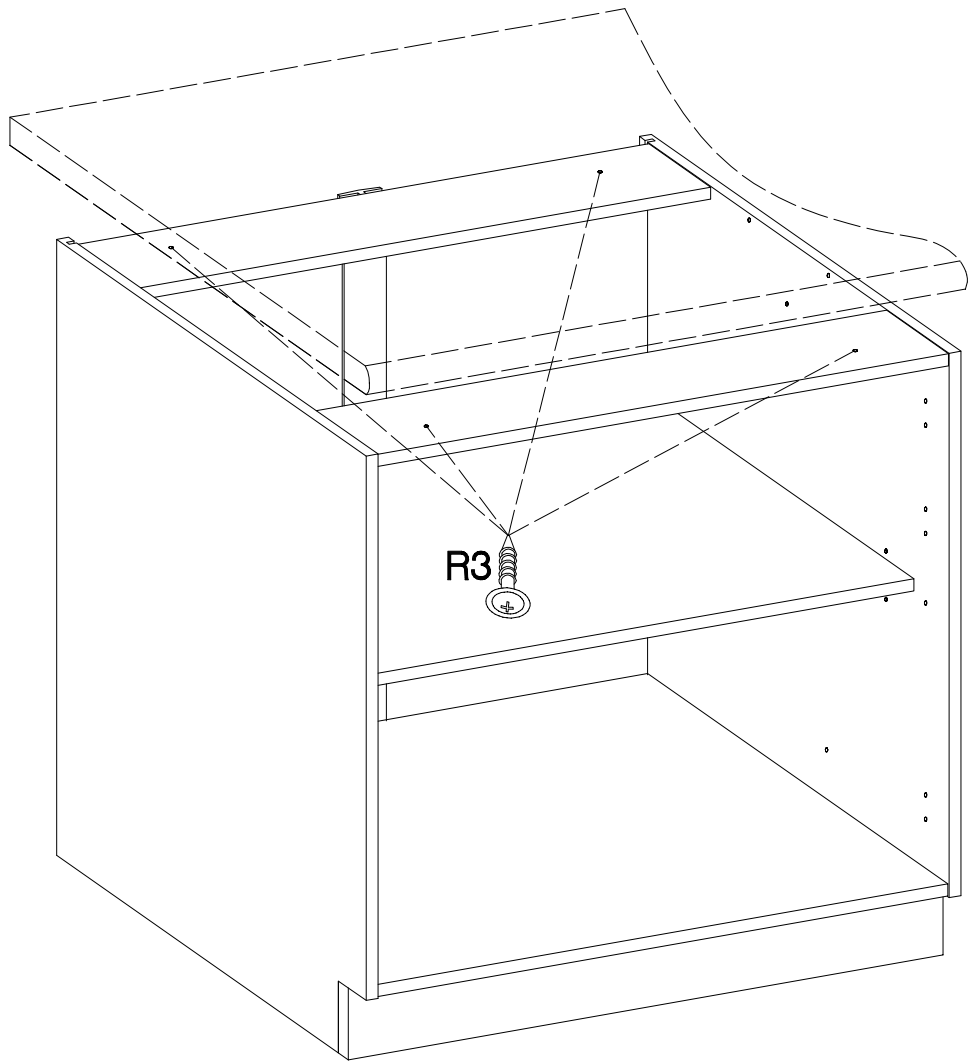
8

4.0x35mm

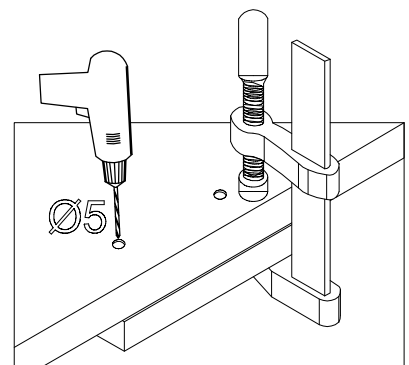
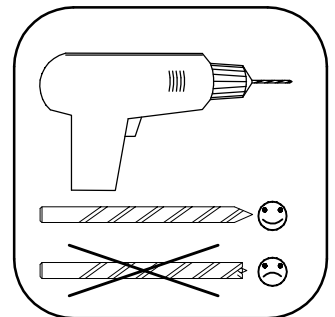
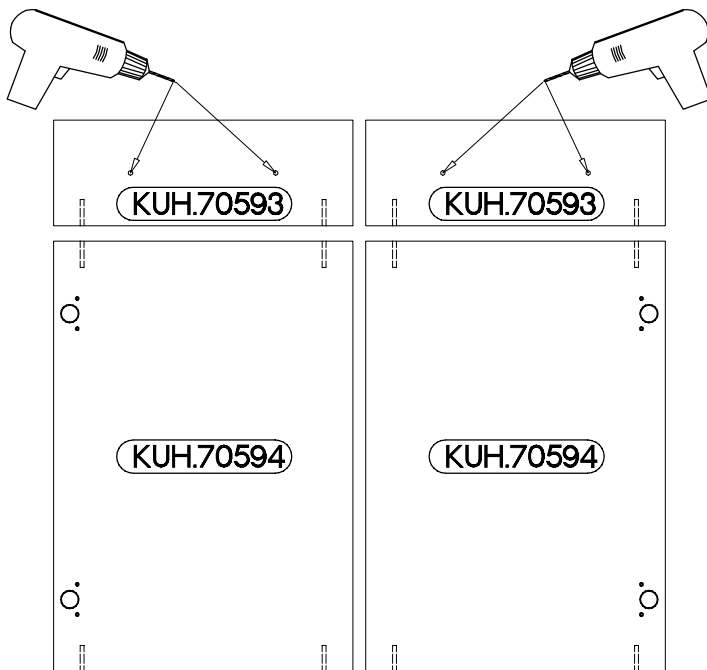


R3

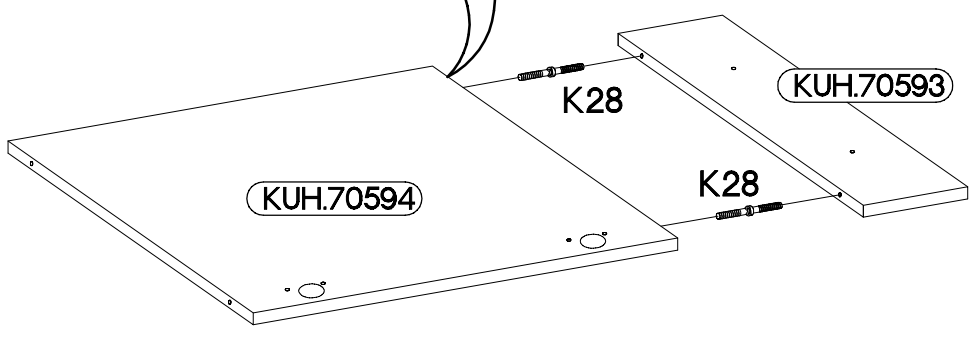
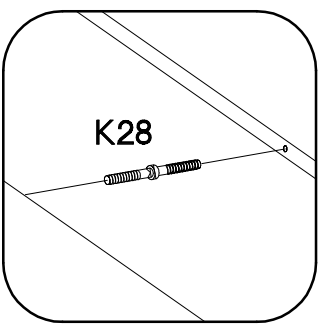
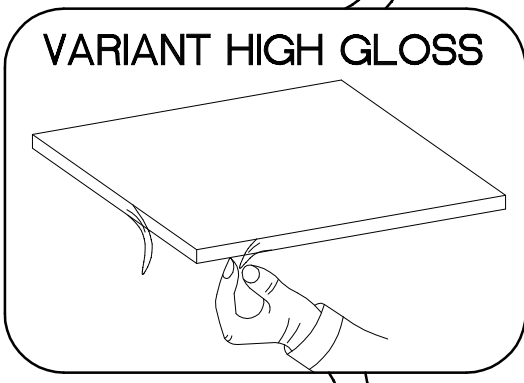
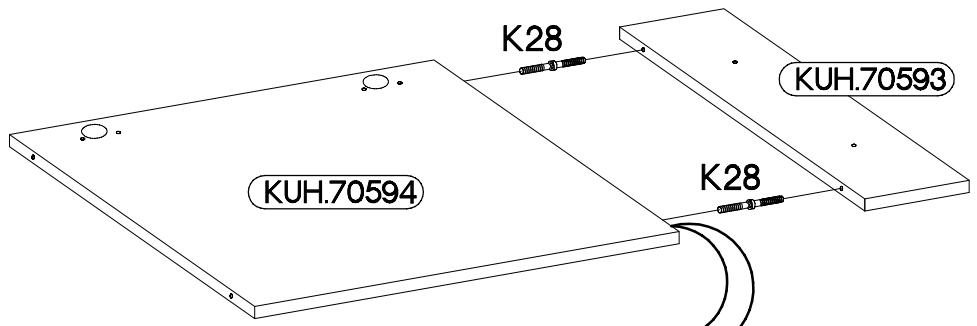
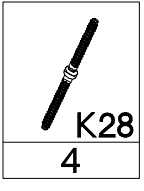
4



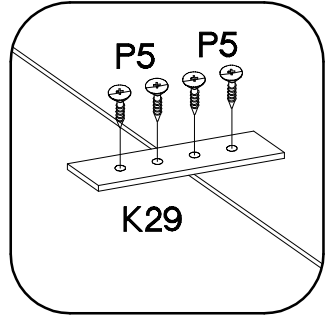
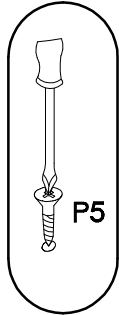
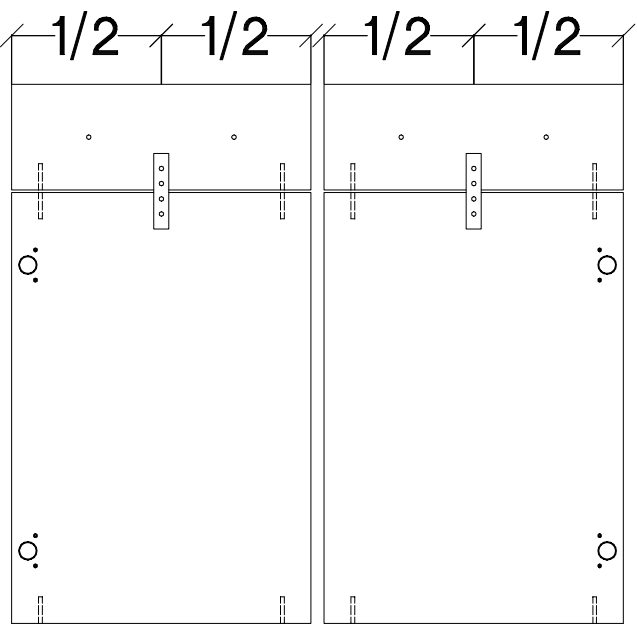
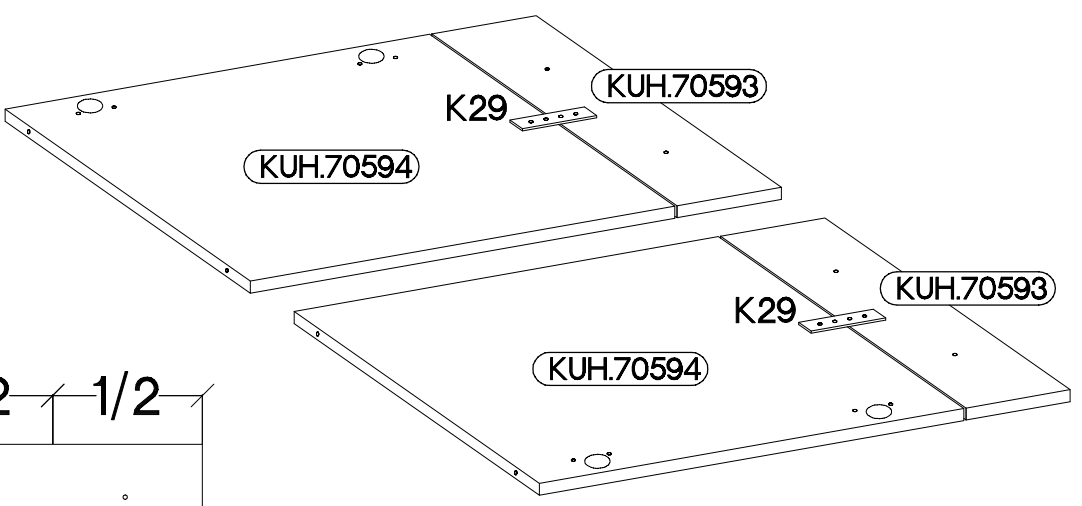
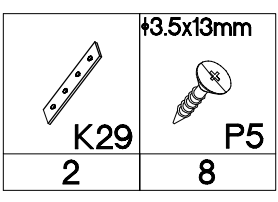
9



10

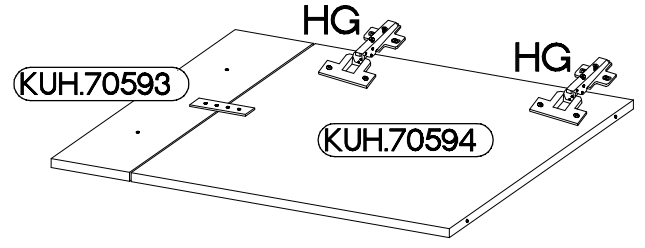
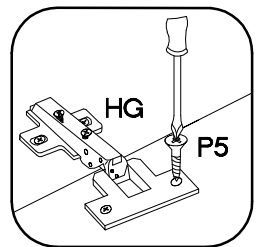
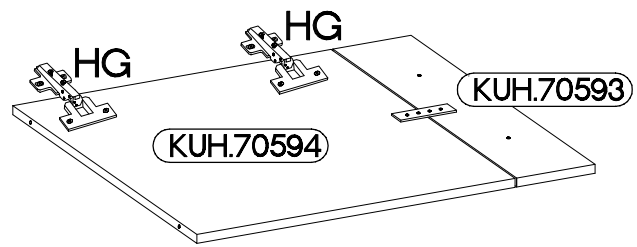


11



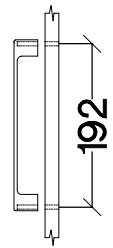
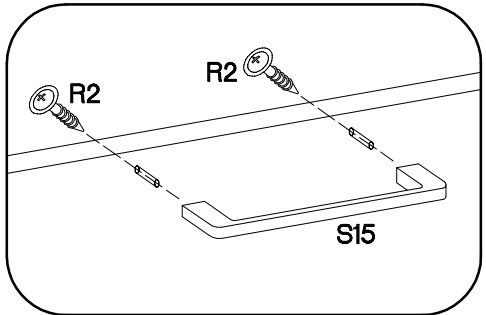
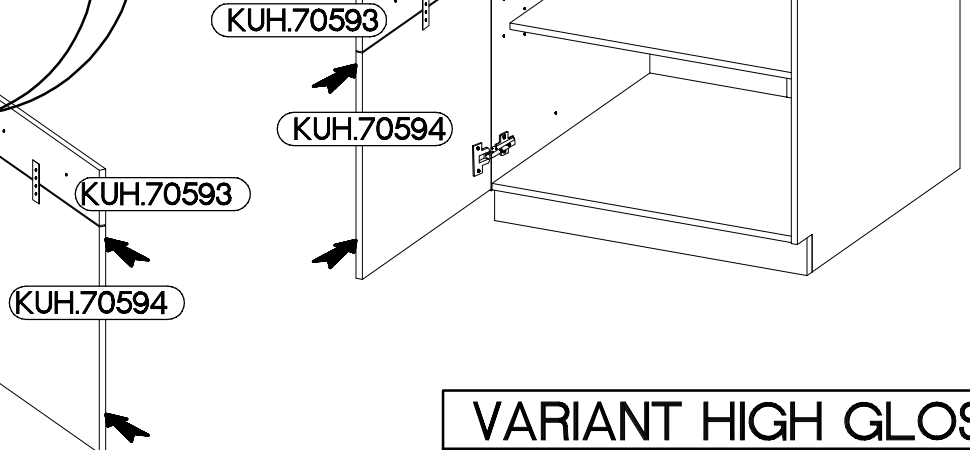
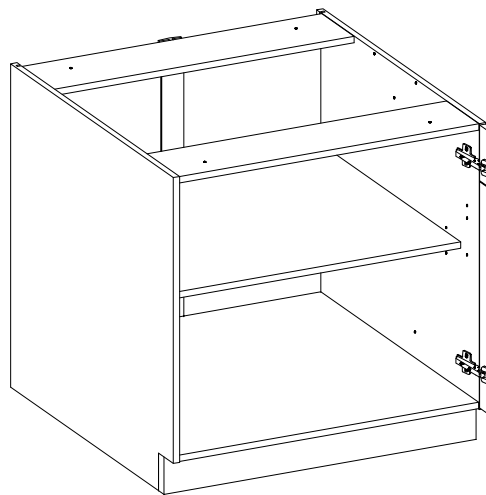
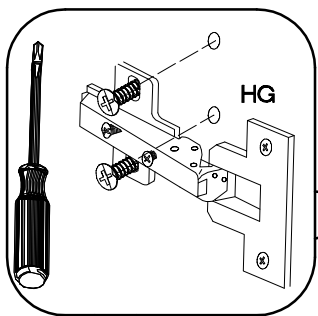
12

±35/0mm	±3.5x13mm
HG	P5
4	8



13

±4.0x30mm	
R2	S15
4	2



VARIANT HIGH GLOSS

