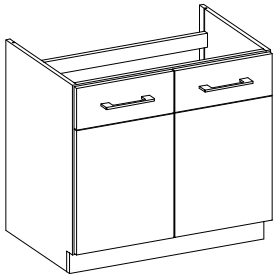




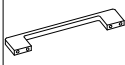

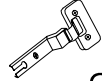
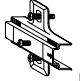

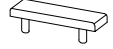



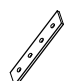
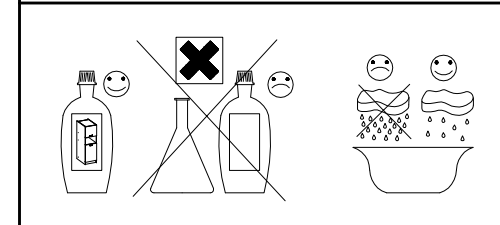
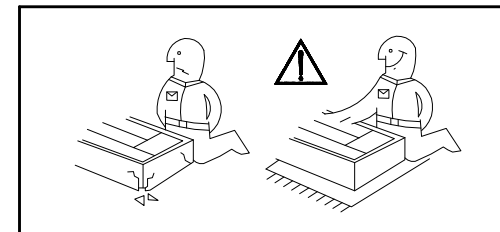
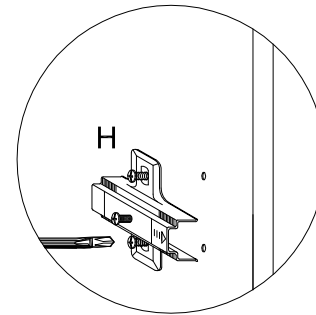
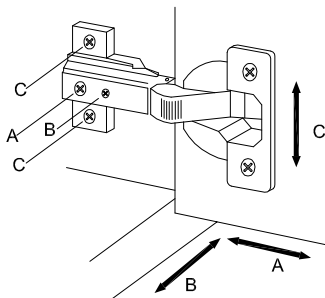
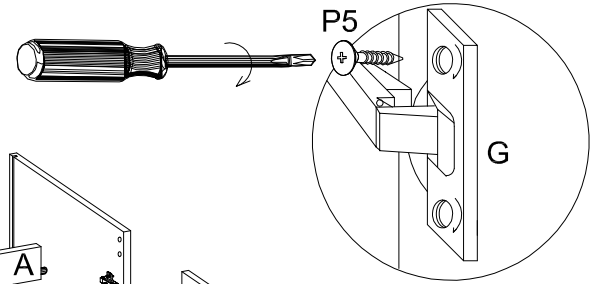
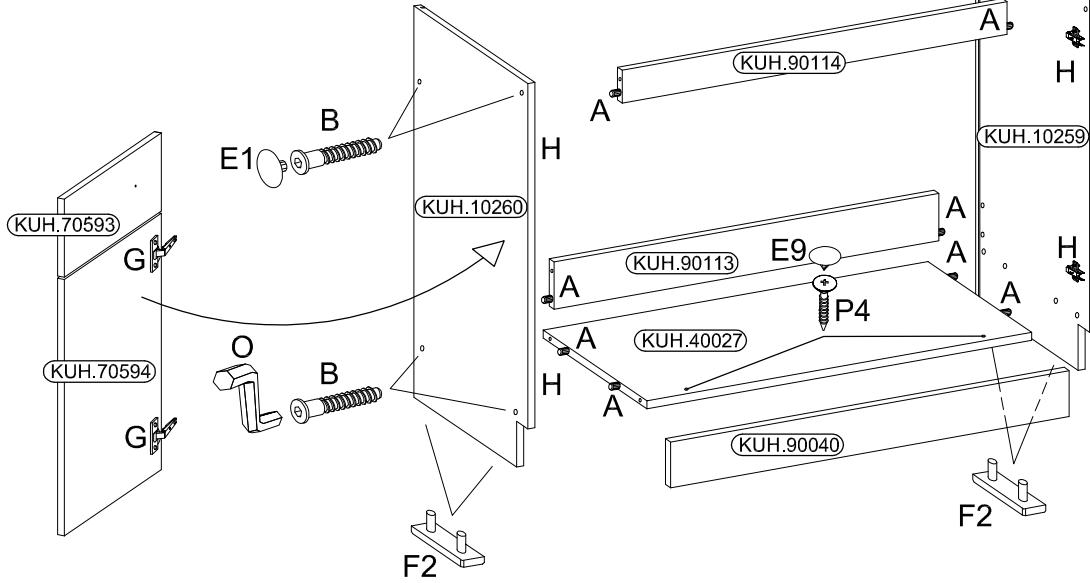
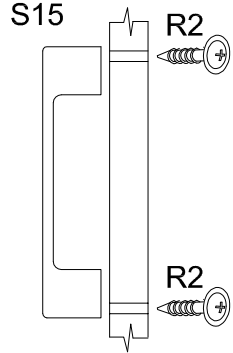
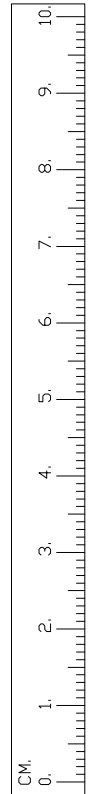
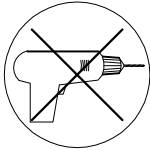
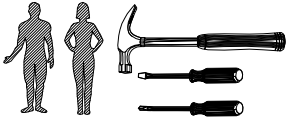


80 ZL 2F BB



 B 8	 E1 8	 A 8	 O 1	 S15 2	 R2 4	 G 4	 H 4	 P5 16	 F2 4	 P4 2	 E9 2
 K28 4	 K29 2										



ISM-KUH-00765

80 ZL 2F BB

