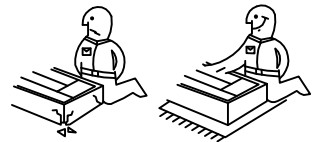
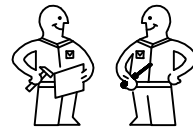
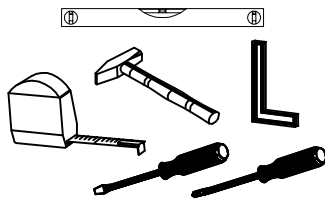
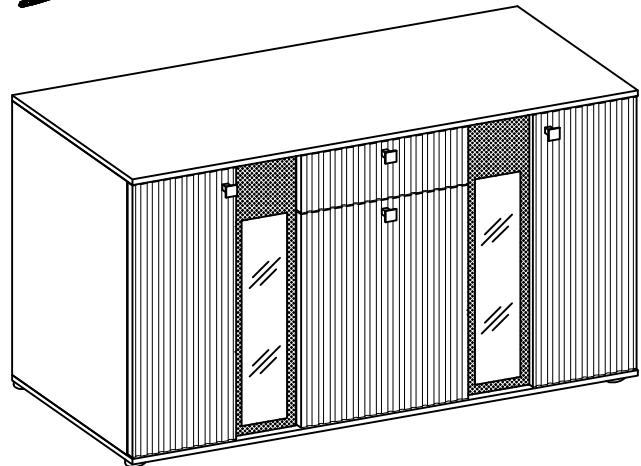
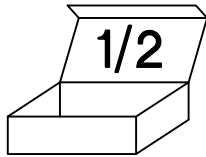


SALSA

Typ 20



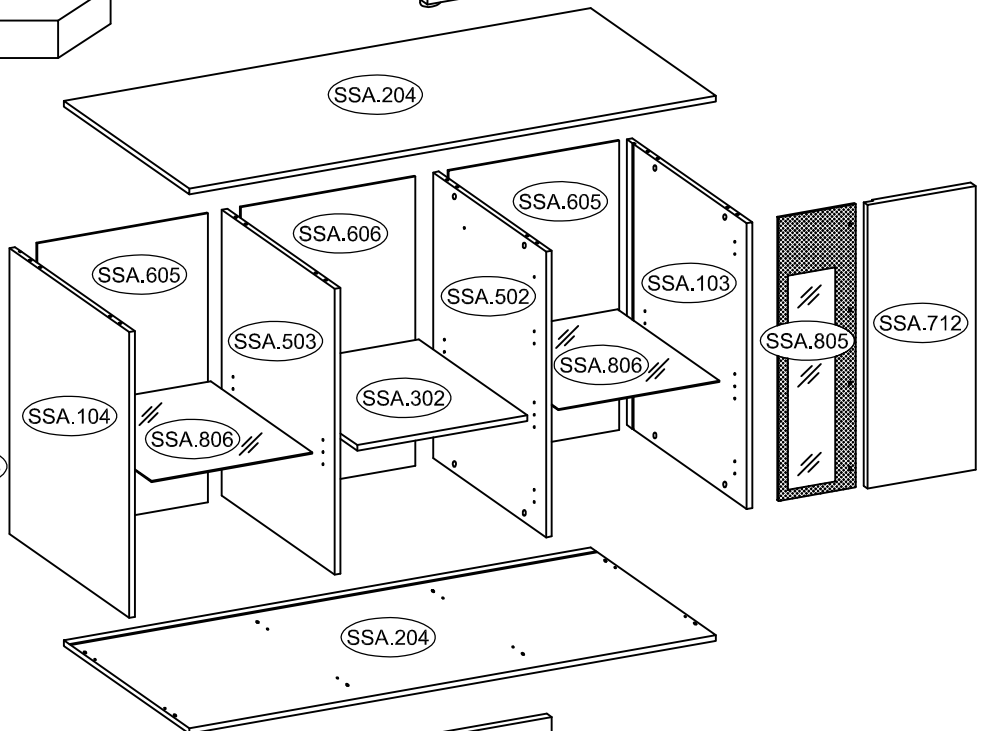
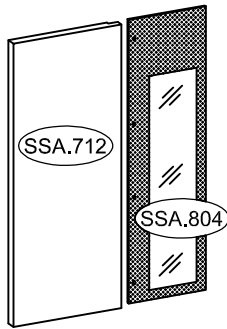
ELEMENT	DIMENSIONS
SSA.103 x1	750x384x15mm
SSA.104 x1	750x384x15mm
SSA.204 x2	1404x402x15mm
SSA.302 x1	453x347x15mm
SSA.502 x1	750x362x15mm
SSA.503 x1	750x362x15mm
SSA.607 x1	326x429x15mm
WST.0001 x1	330x100x12mm
WST.0002 x1	330x100x12mm
WST.0012 x1	419x100x12mm



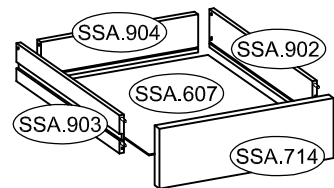
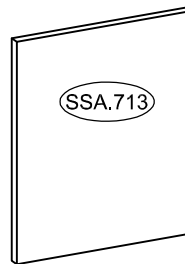
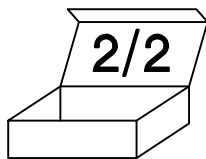
SSA.204 = max. 25kg

SSA.302 = max. 5kg

SSA.806 = max. 2kg



ELEMENT	DIMENSIONS
SSA.605 x2	759x455x2,5mm
SSA.606 x1	759x465x2,5mm
SSA.712 x1	288x744x16mm
SSA.712 x1	288x744x16mm
SSA.713 x1	464x584x16mm
SSA.714 x1	464x157x16mm
SSA.804 x1	744x206x4mm
SSA.805 x1	744x206x4mm
SSA.806 x2	443x347x5mm

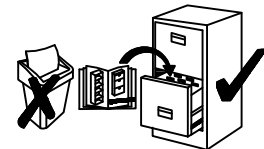


1B :

30x30mm	M4x22mm
S	U
4	4

2B :

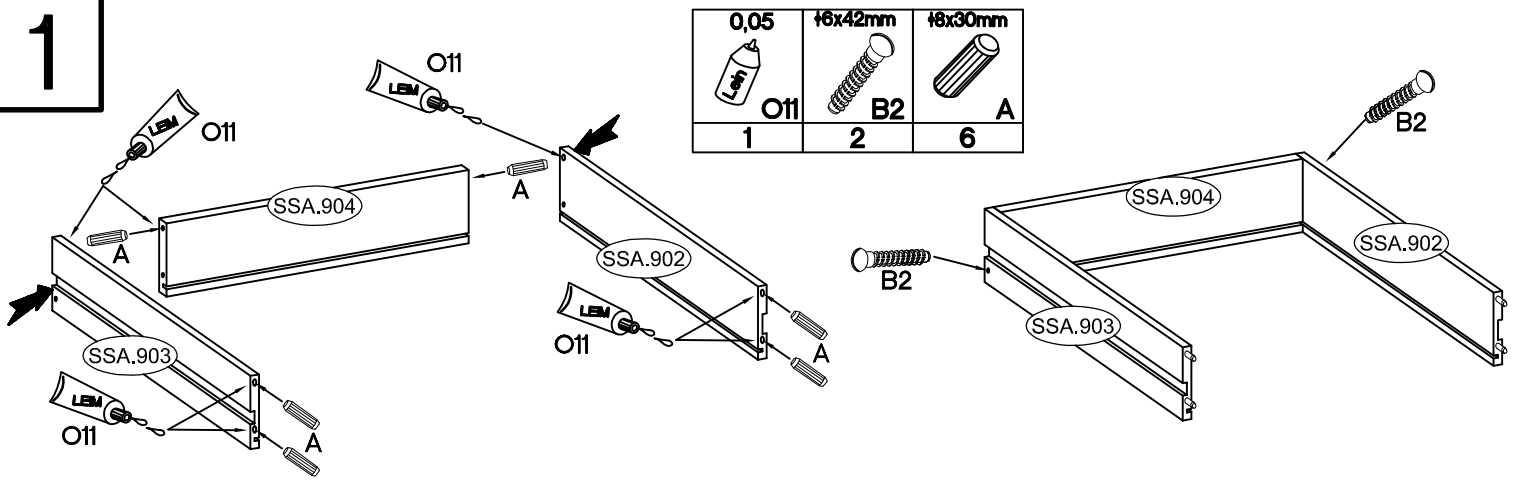
H-0	t35/0mm	t3.5x13mm	t35/9mm
H	G	P5	G1
6	4	12	2



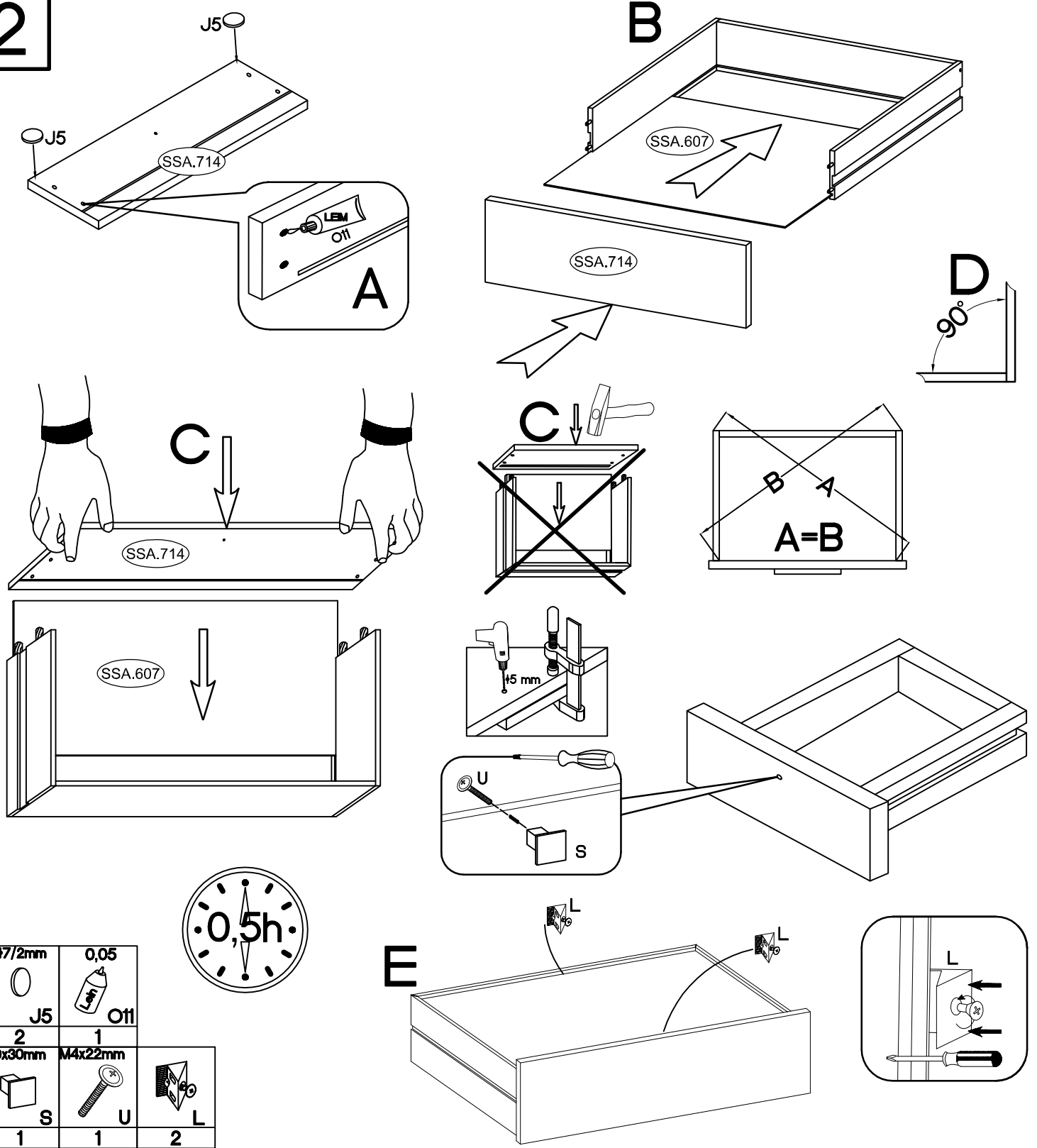
3B :

t15/12mm	t8x30mm	t7/3mm	t4.0x12mm	t5/16mm		t10x50mm		t8/11mm	t7/2mm	t6x42mm	L=20mm
C	A	J7	R5	J3	J12	O7	L2	J15	J5	B2	D2
16	22	8	8	4	8	2	10	8	8	2	16
t4.0x25mm	t60/20mm	t3.5x13mm			t6.3x13mm	27/30mm		M4x9mm	t3.0x20mm	0,05	
P14	F10	P5	L	E	M2	I4	L9	U1	P7	O11	
6	6	2	12	12	4	1	2	2	10	1	

1



2



3

SSA.712, J15, O11, G, P5, J15, SSA.804, J5, SSA.805, FARBE, HG, HG1

H=0	±35/0mm	±3.5x13mm	±7/2mm
H	G	P5	J5
4	4	8	4
±7/4mm	±4.0x12mm	±8/11mm	0,05
J7	R5	J15	O11
8	8	8	1

1h

FARBE

4

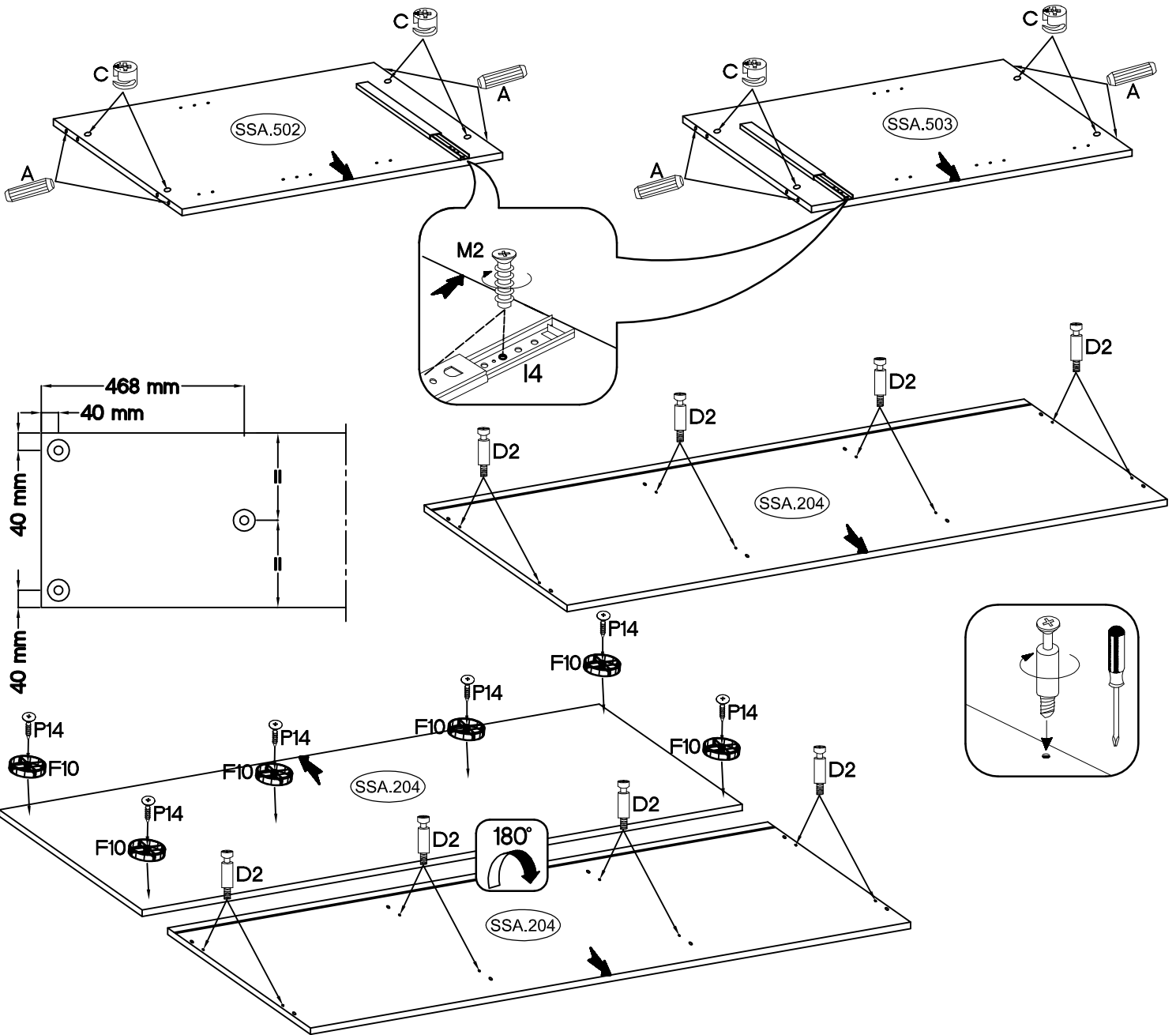
A, B, G1, P5, SSA.713, J5, G1, J5, P5, G1, J5

±3.5x13mm	±35/9mm	±7/2mm
P5	G1	J5
4	2	2
		H
		2

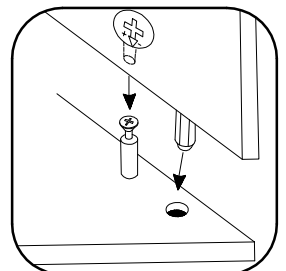
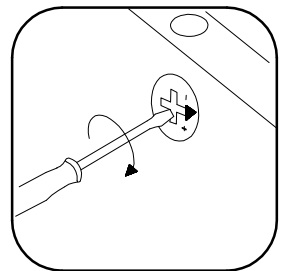
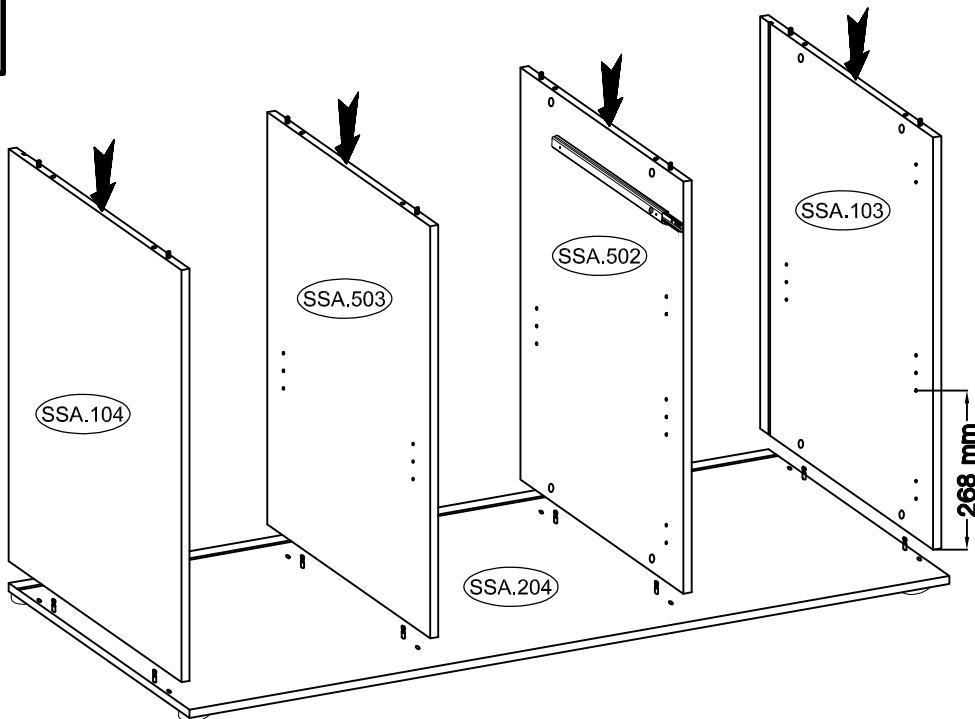
5

L=20mm, ±4.0x25mm, ±60/20mm, ±6.3x13mm, 27/90mm, ±15/12mm, ±8x30mm, D2, P14, F10, M2, I4, C, A, SSA.103, SSA.104, C, A

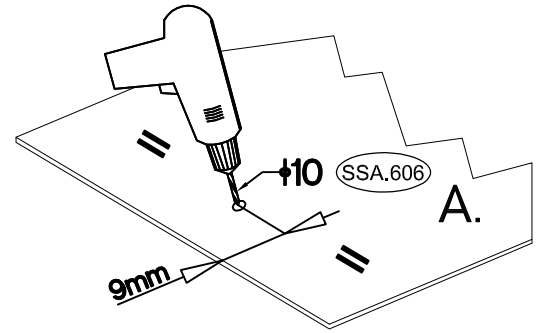
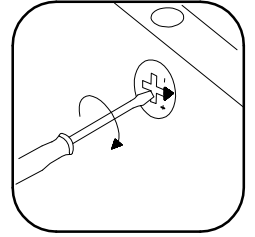
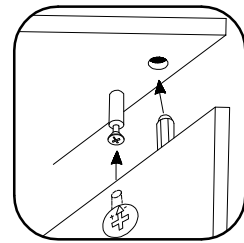
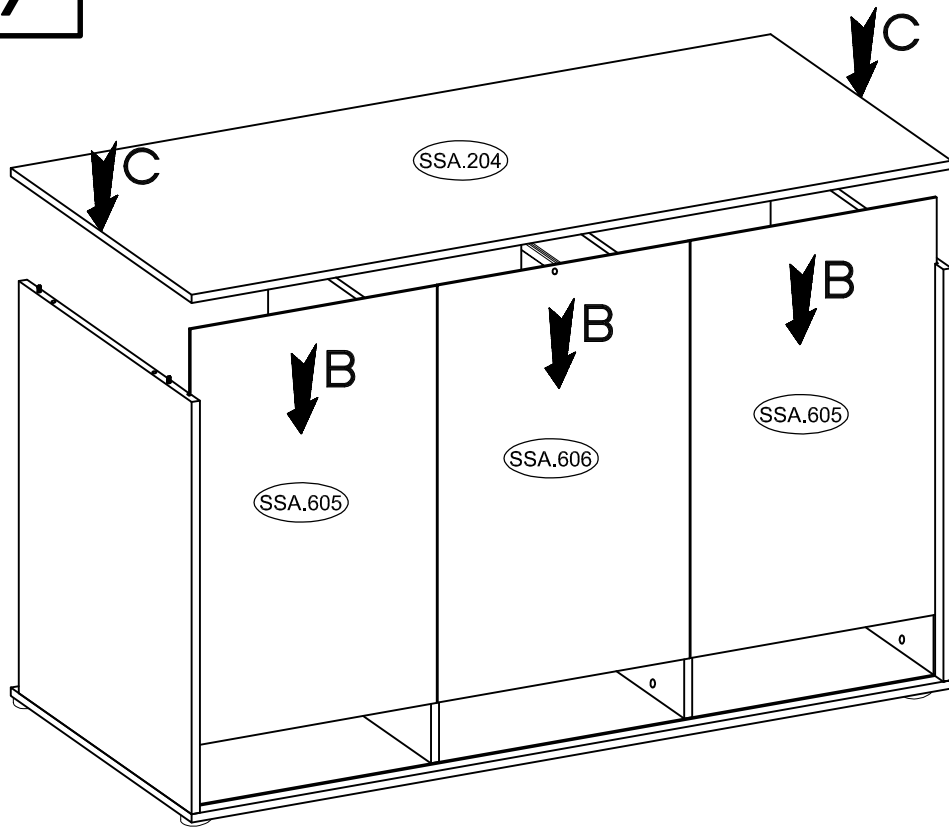
L=20mm	±4.0x25mm	±60/20mm	±6.3x13mm	27/90mm	±15/12mm	±8x30mm
D2	P14	F10	M2	I4	C	A
16	6	6	4	1	16	16



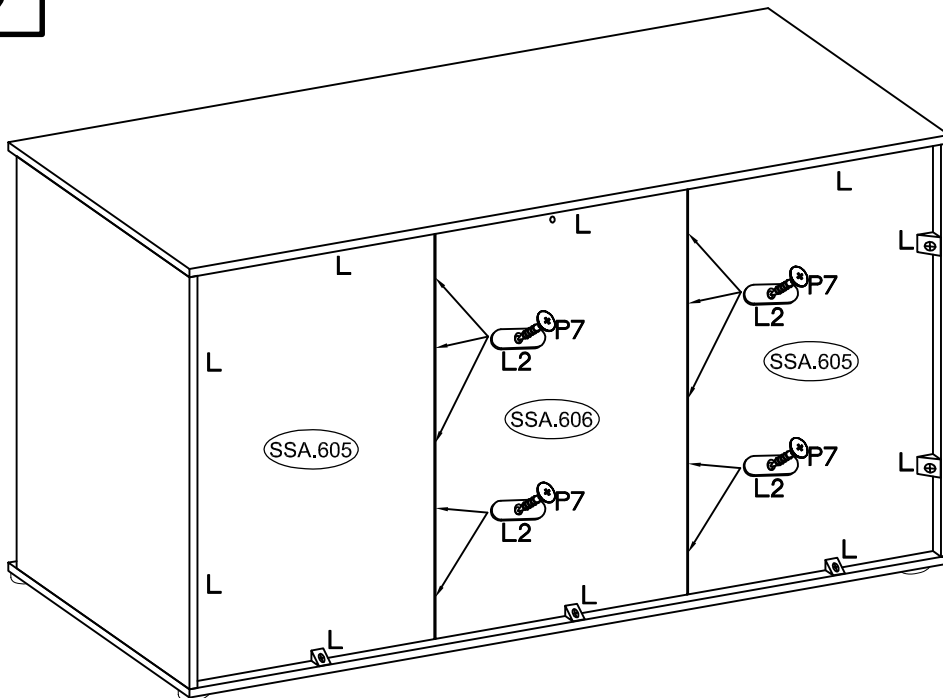
6



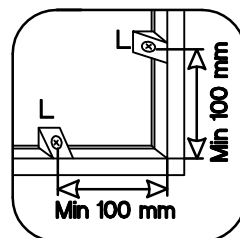
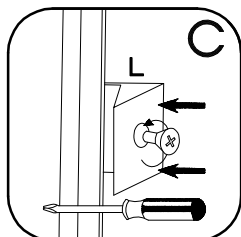
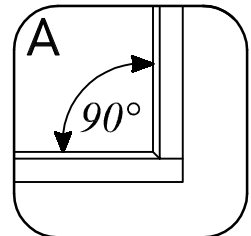
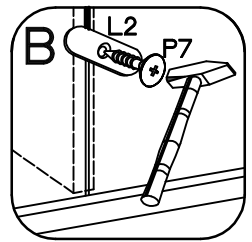
7



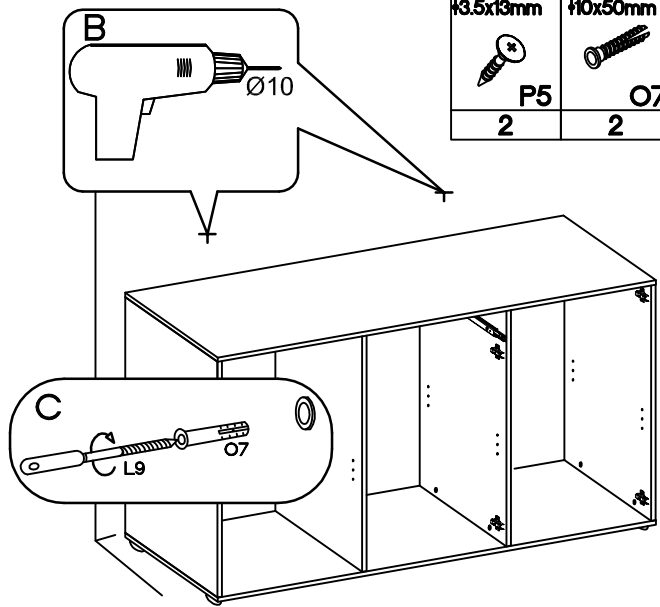
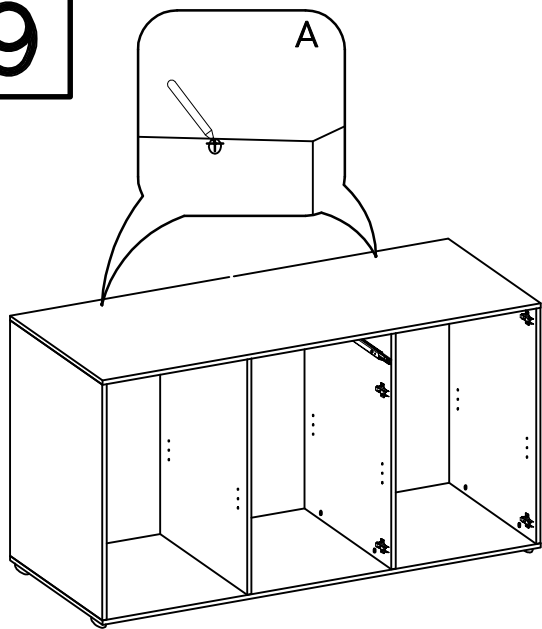
8






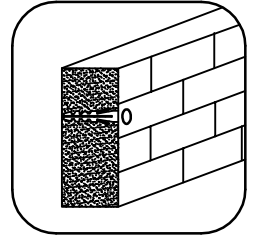
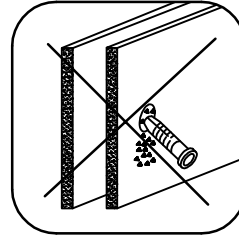
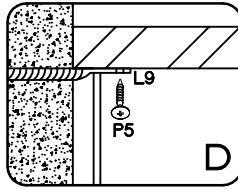
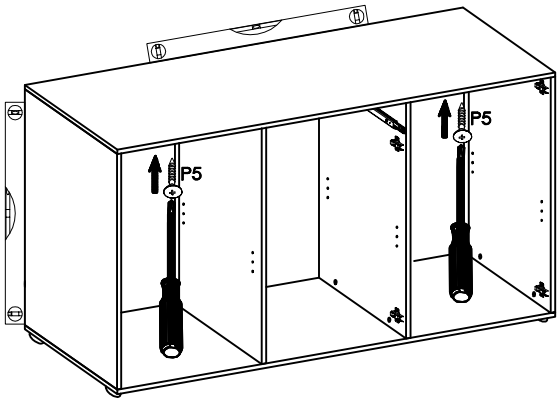
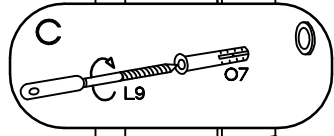
 P7 10	 L2 10	 L 10
--------------	--------------	-------------



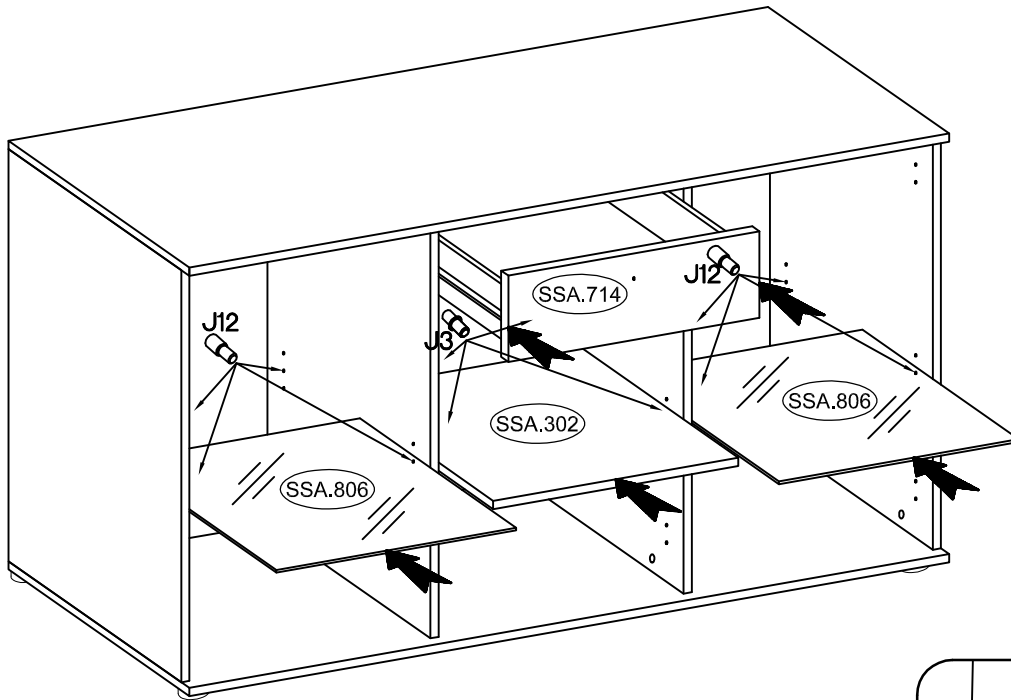
9






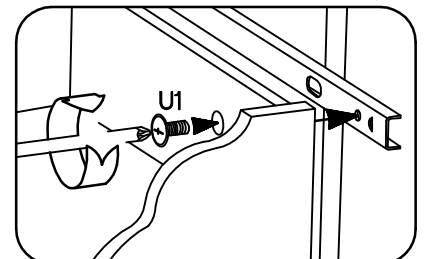
 P5 2	 Ø7 2	 L9 2
--	--	--






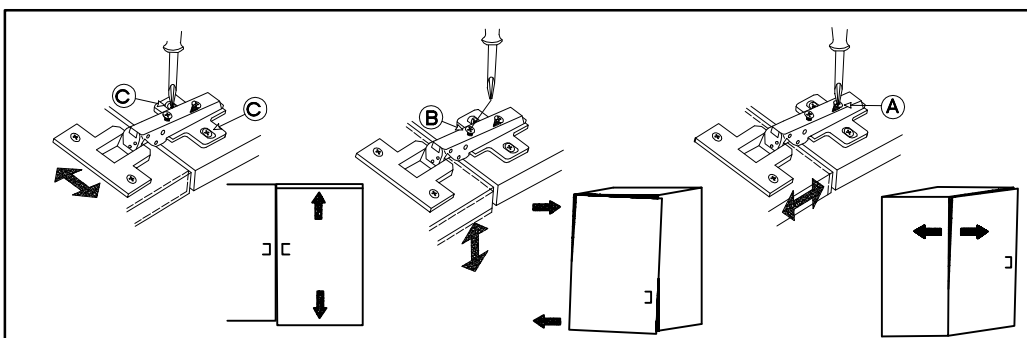
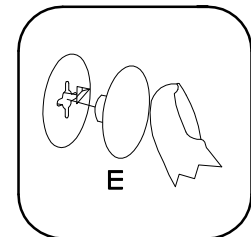
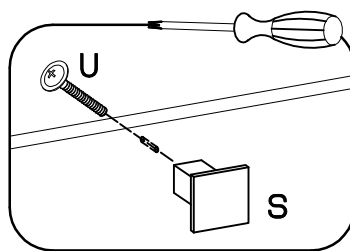
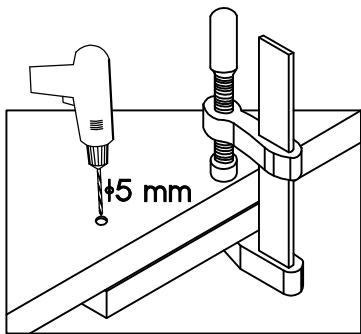
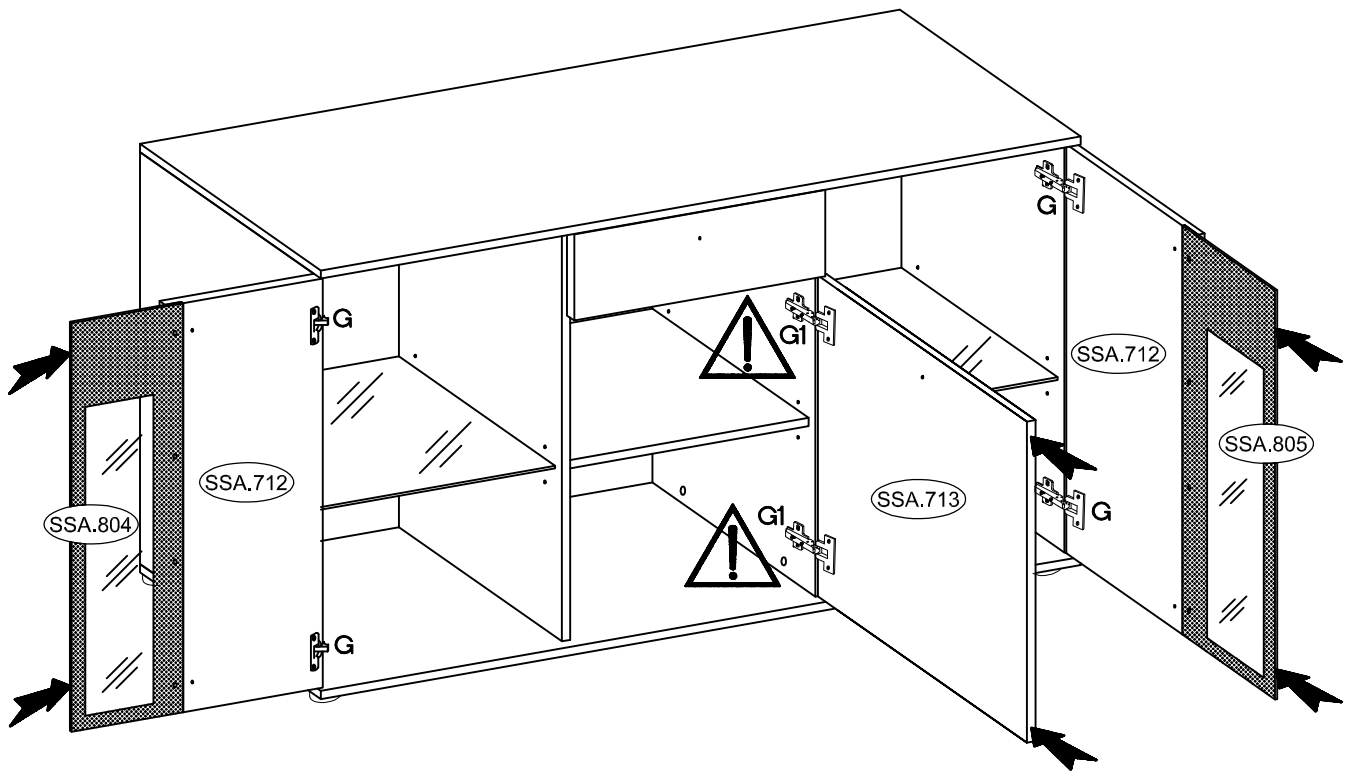
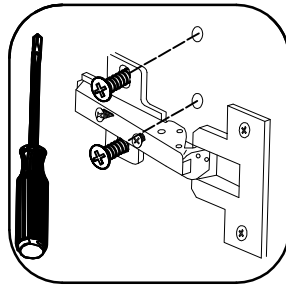
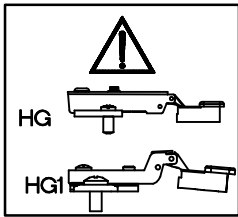
10



 J3 4	 J12 8	 U1 2
---	--	---



30x30mm	M4x22mm	
		
S	U	E
3	3	12




STOLARZ-LEMPERT
 Stolarz – Lempert Sp. k.
 63-604 Baranów, Marianka Mroczeńska 3
www.stolarz-lempert.pl