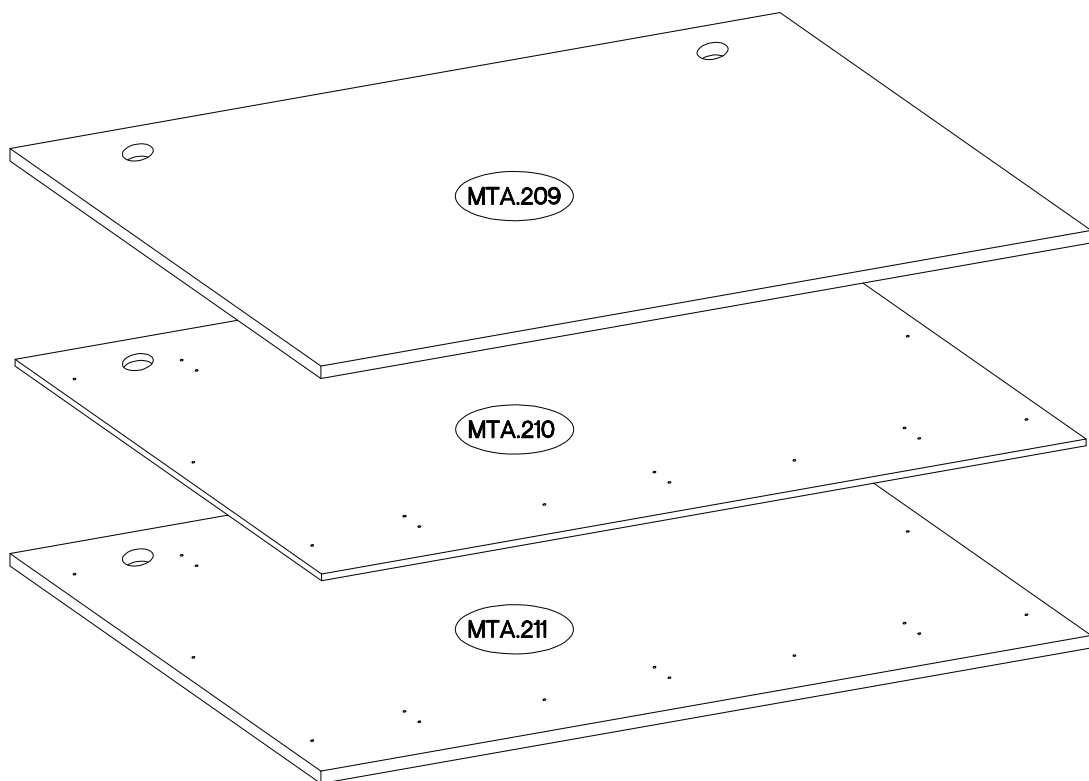
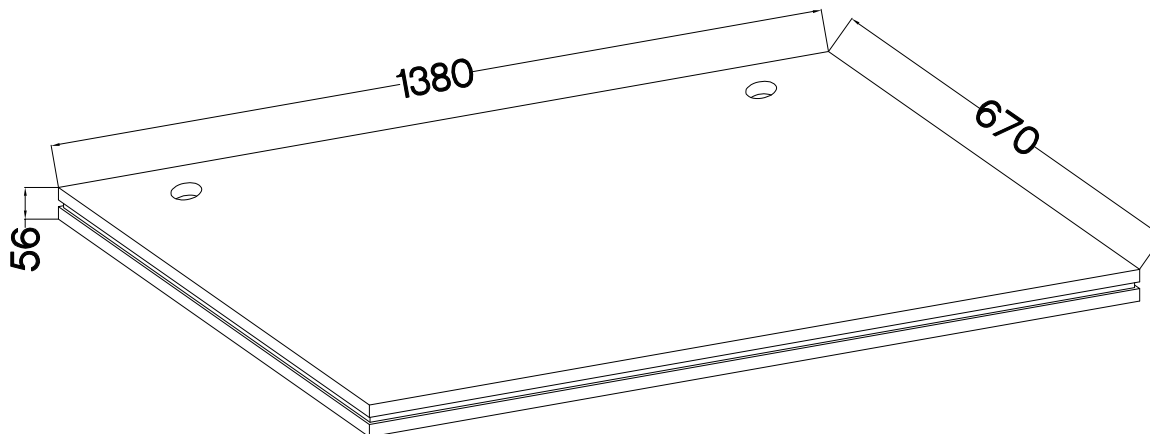
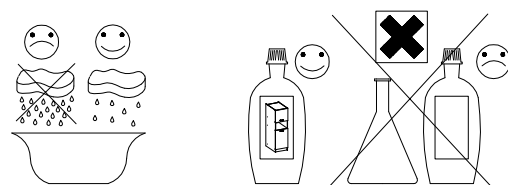


30 min

MALTA





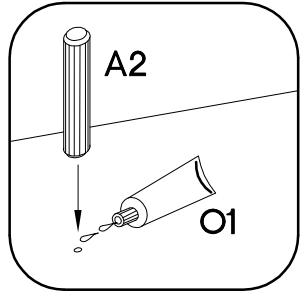
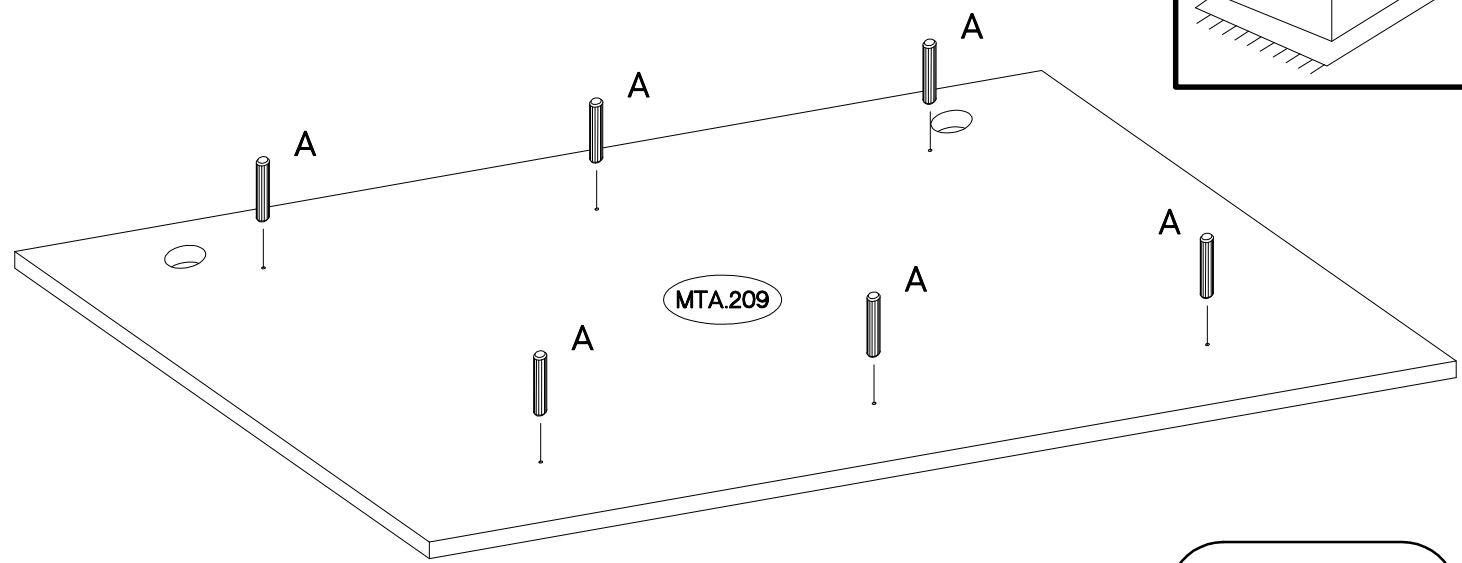
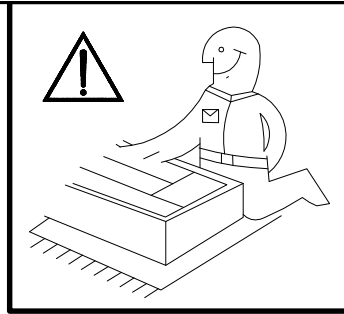
<p>±8x30mm A</p>	<p>O1</p>	<p>±4.0x45mm P4</p>
6	1	16

Ersatzteil Nummer	Dimension
MTA.209	1380x670x22
MTA.210	1370x660x12
MTA.211	1380x670x22

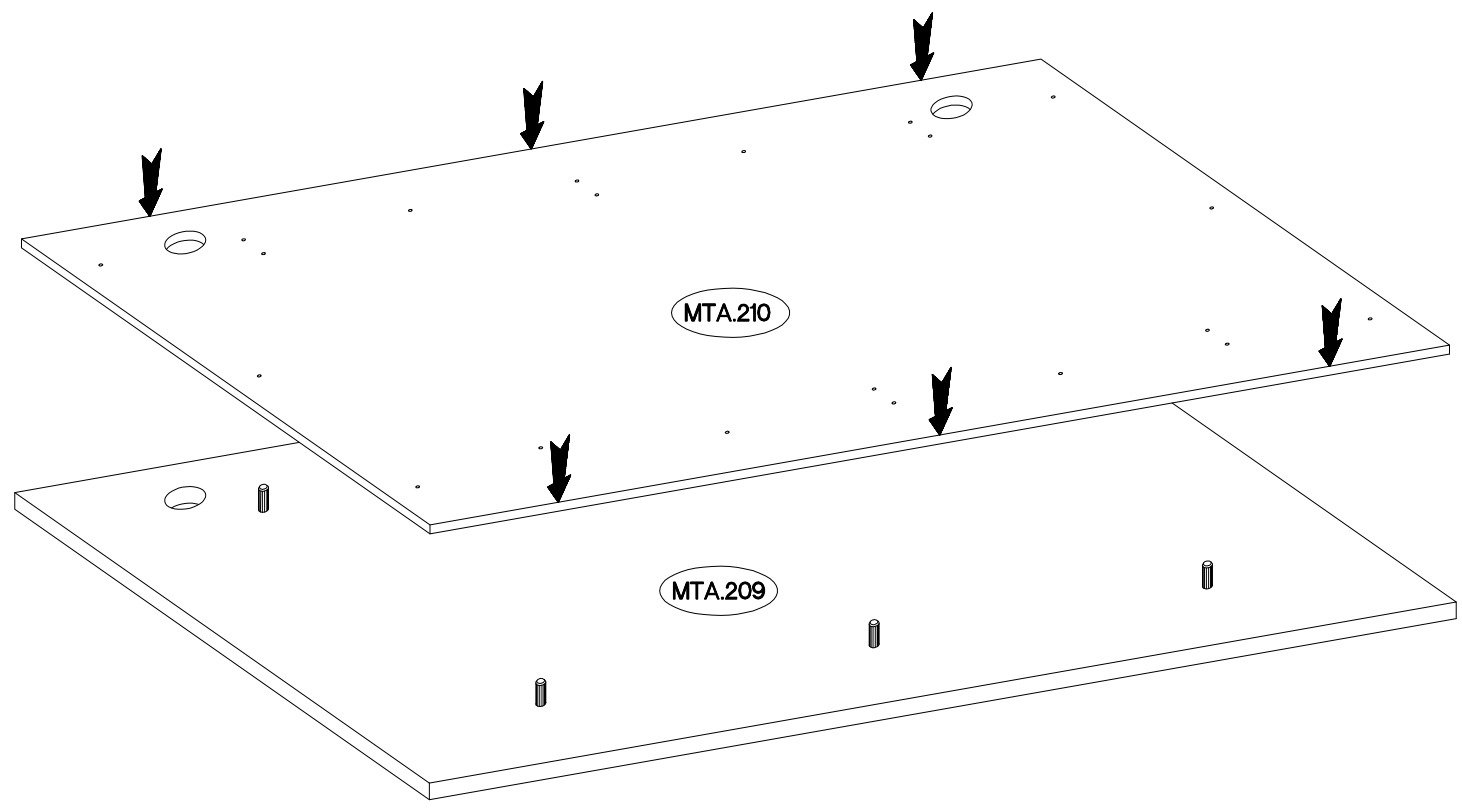
ISM-MTA-17

1

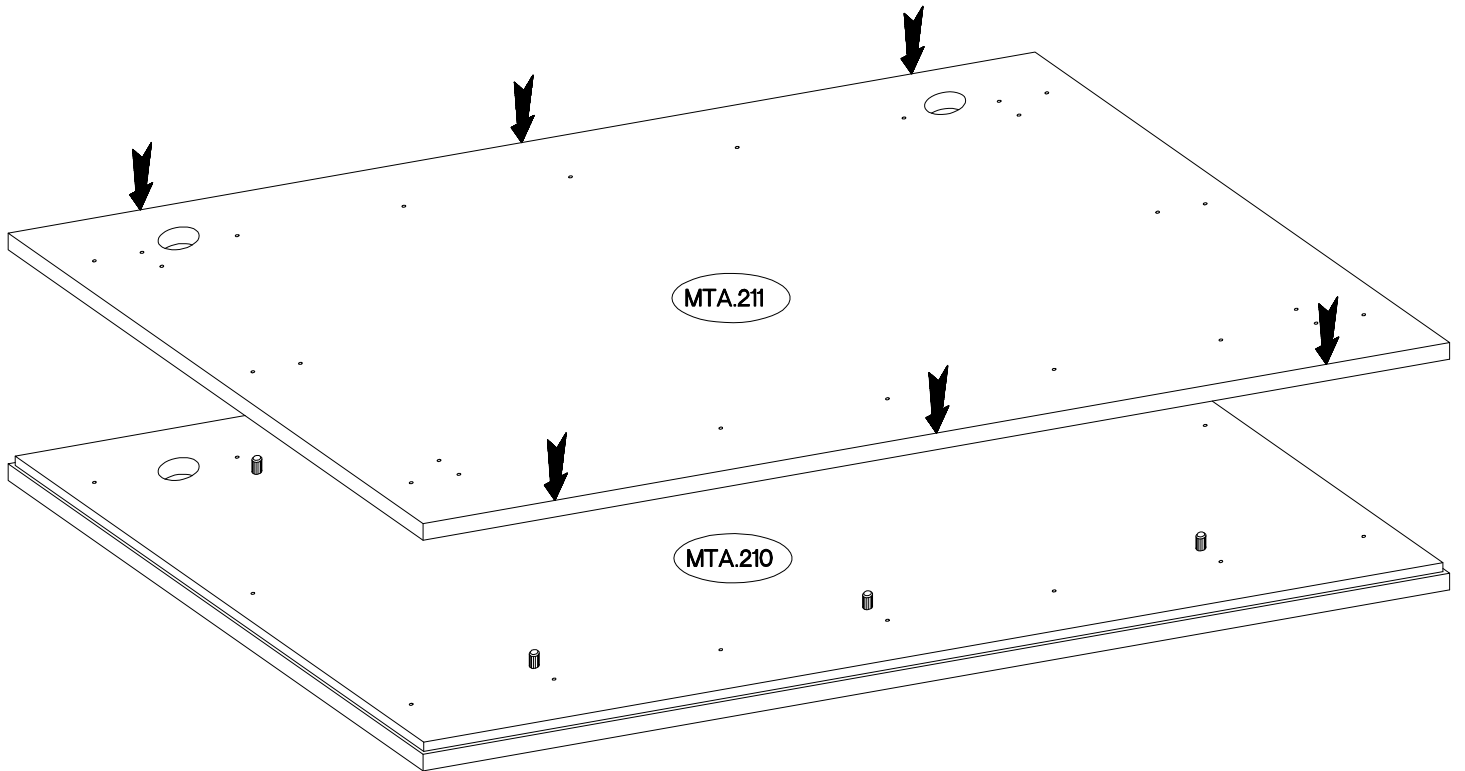
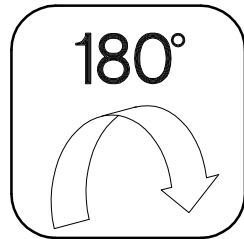
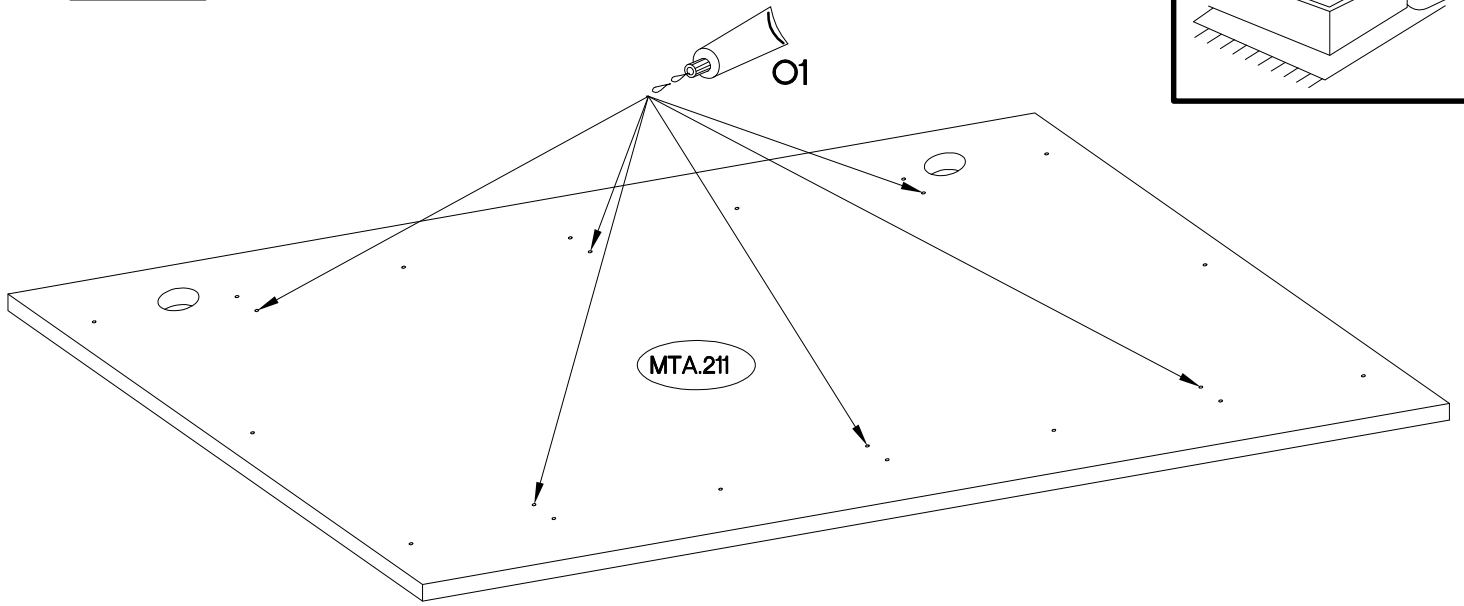
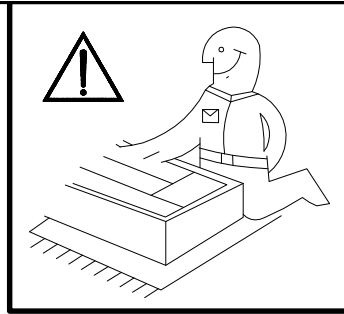
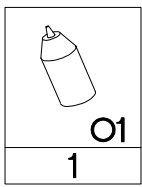
 O1	 A
1	6



2




3



4

±4.0x45mm
P4
16

A diagram of a screw with a cross-shaped head and a threaded shaft.