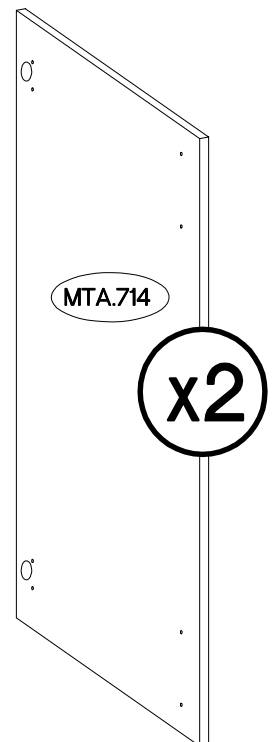
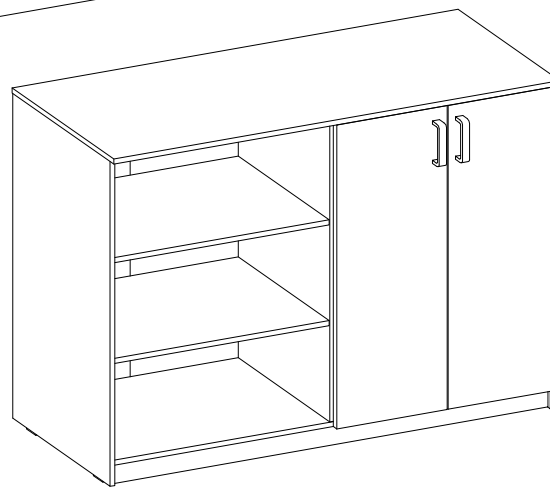
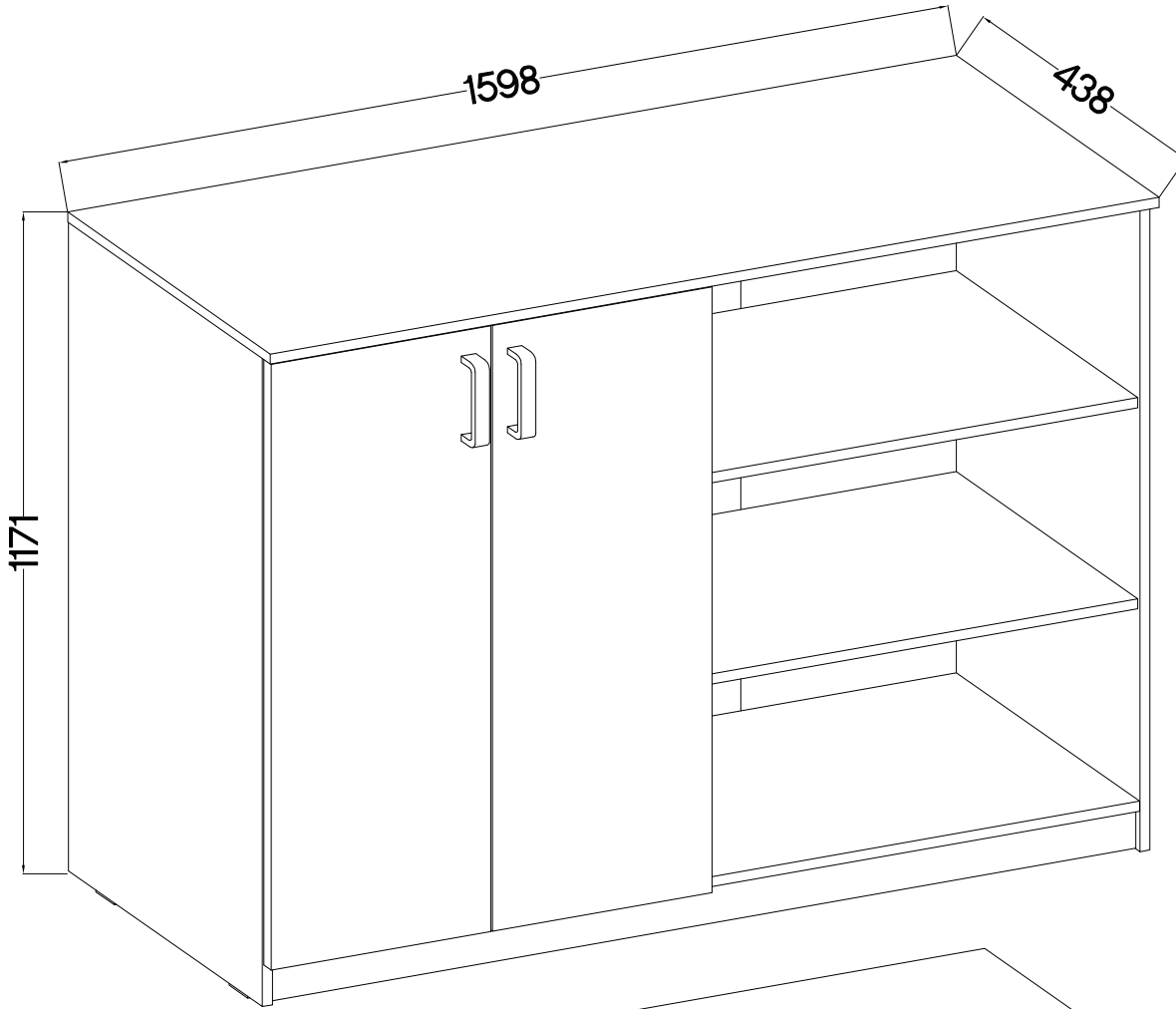
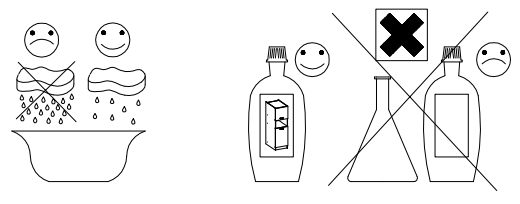


MALTA
TYP 850

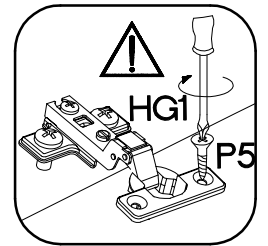
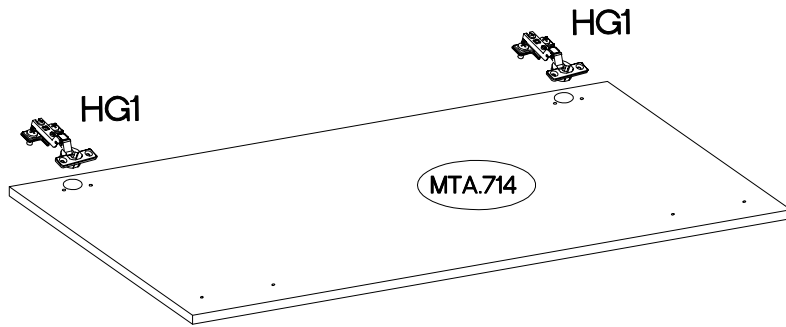
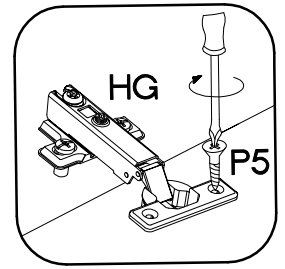
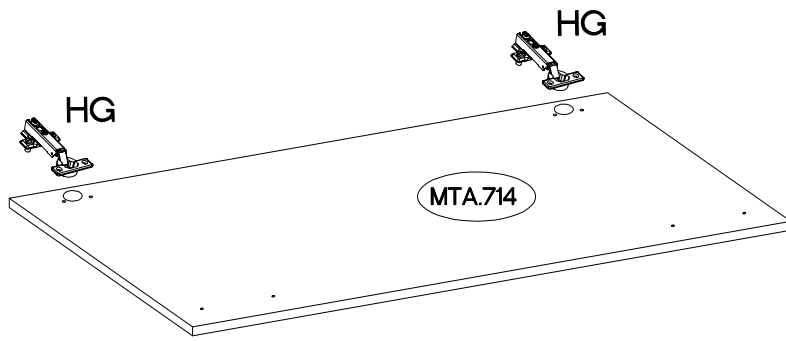


Ersatzteil Nummer	Dimension
MTA.714 x2	1072x395x16

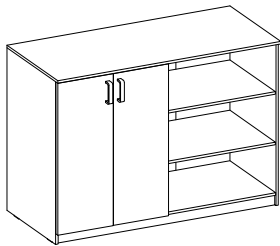
 †35/0mm [CD] HG 2	 †35/9mm H=0 [CD] HG1 2	 †3.5x13mm P5 8	 L=128mm S 2	 M4x22mm U 4
-----------------------------	-------------------------------------	--------------------------	-----------------------	-----------------------

ISM-MTA-26

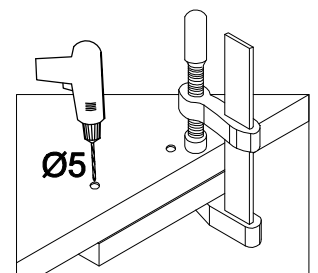
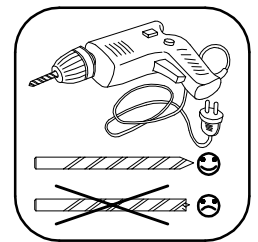
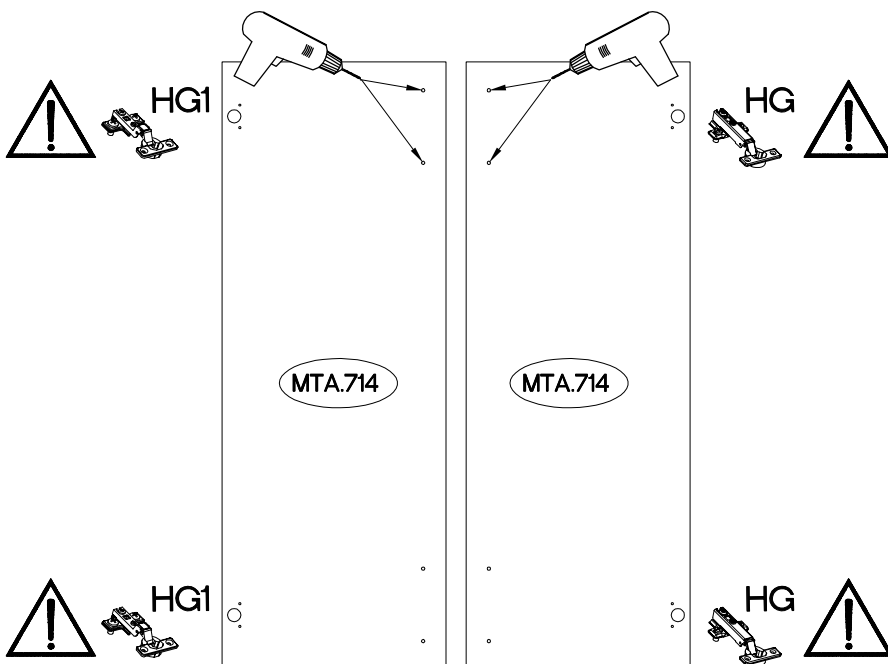
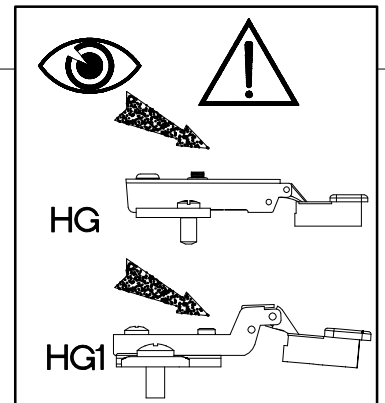
1

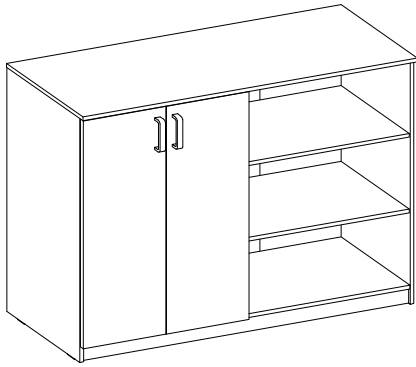




2

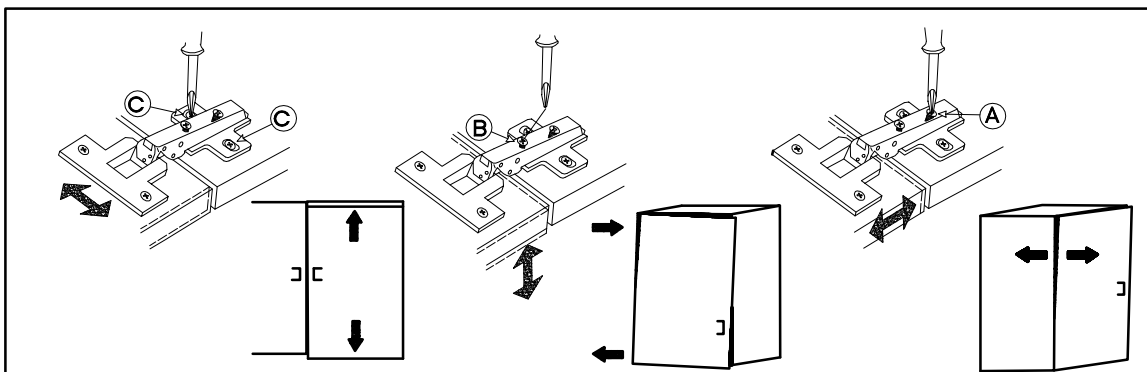
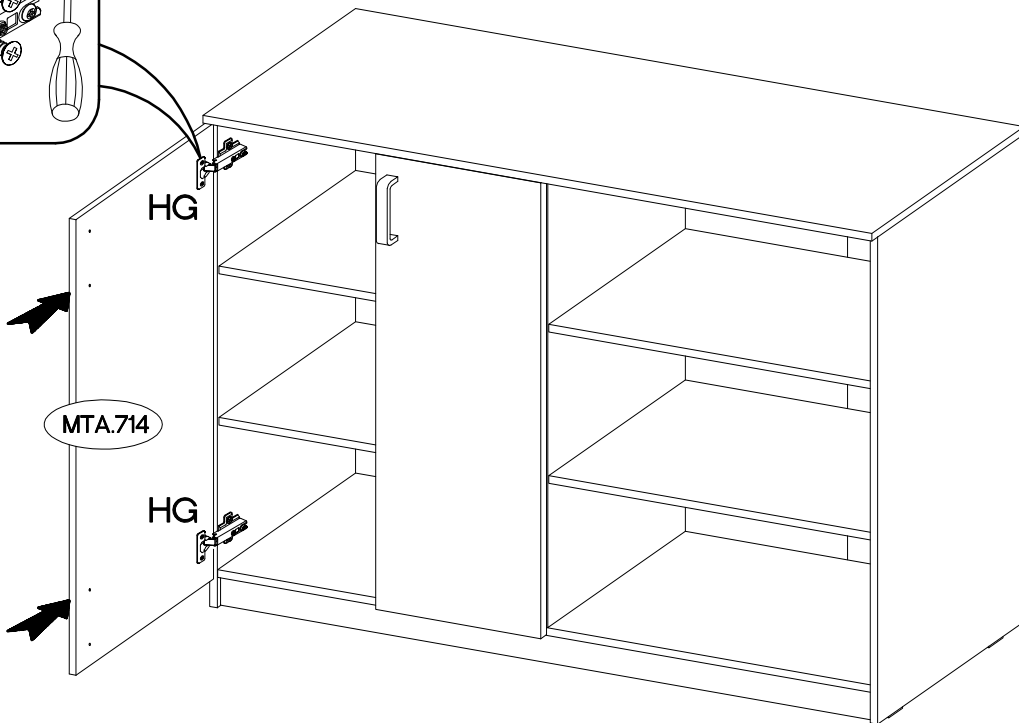
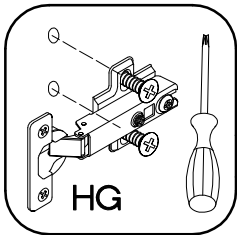
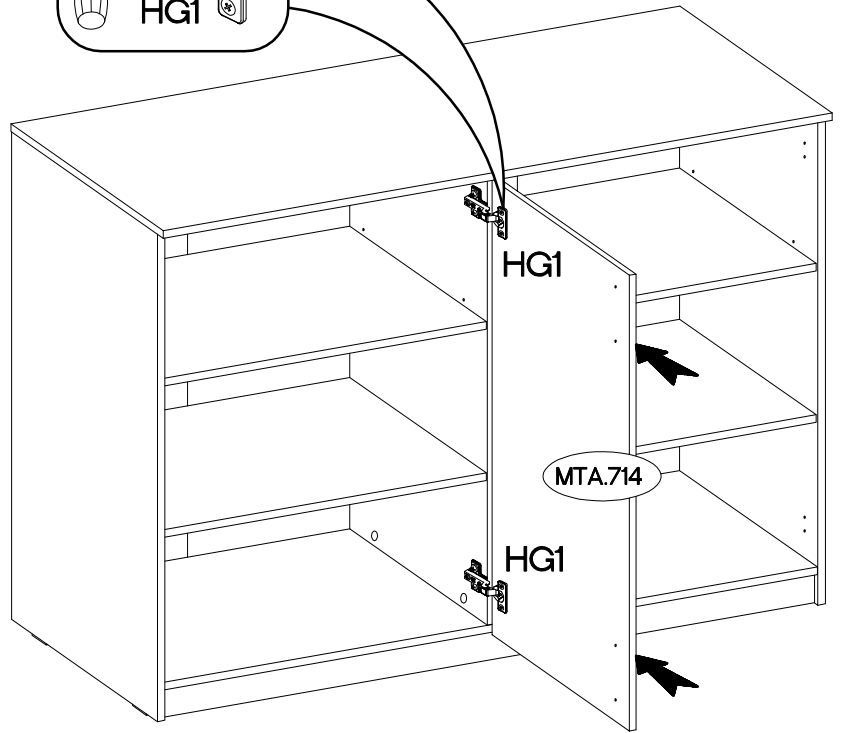
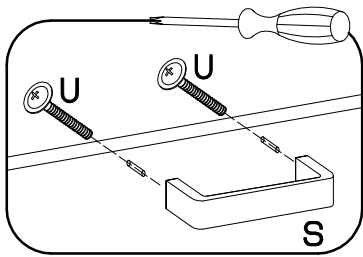
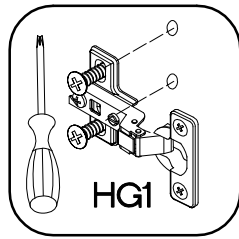


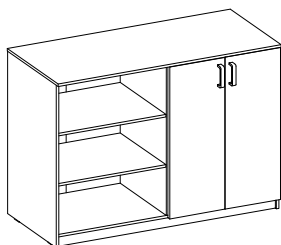
±35/0mm	±35/9mm H=0	±3.5x13mm
[CD] HG	[CD] HG1	P5
2	2	8



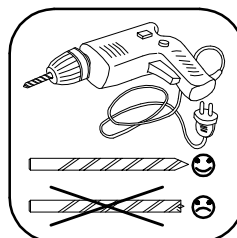
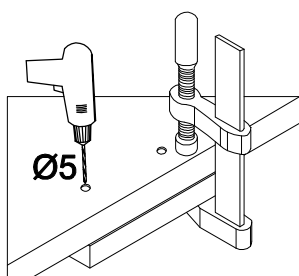
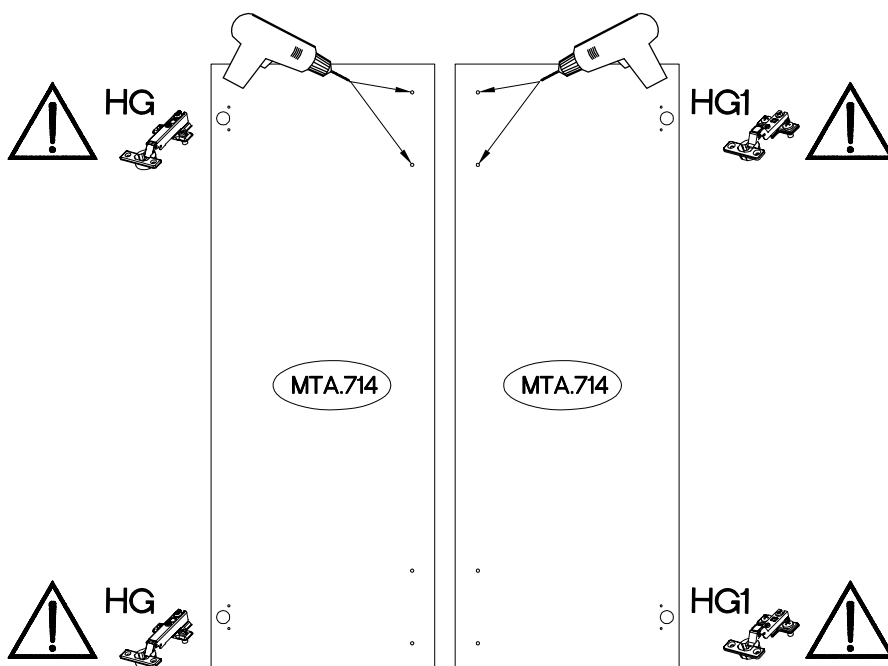
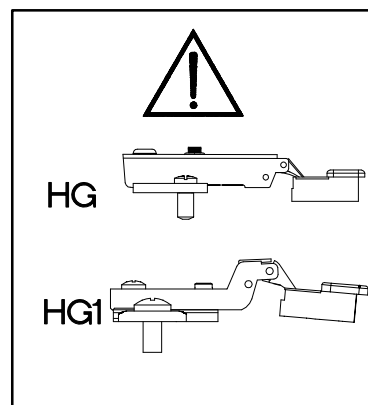


L=128mm	M4x22mm
	
S	U
2	4







±35/0mm [CD] HG	±35/9mm [CD] HG1 H=0	±3.5x13mm P5
2	2	8



5

L=128mm	M4x22mm
	
S	U
2	4

