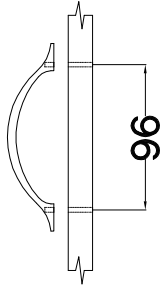
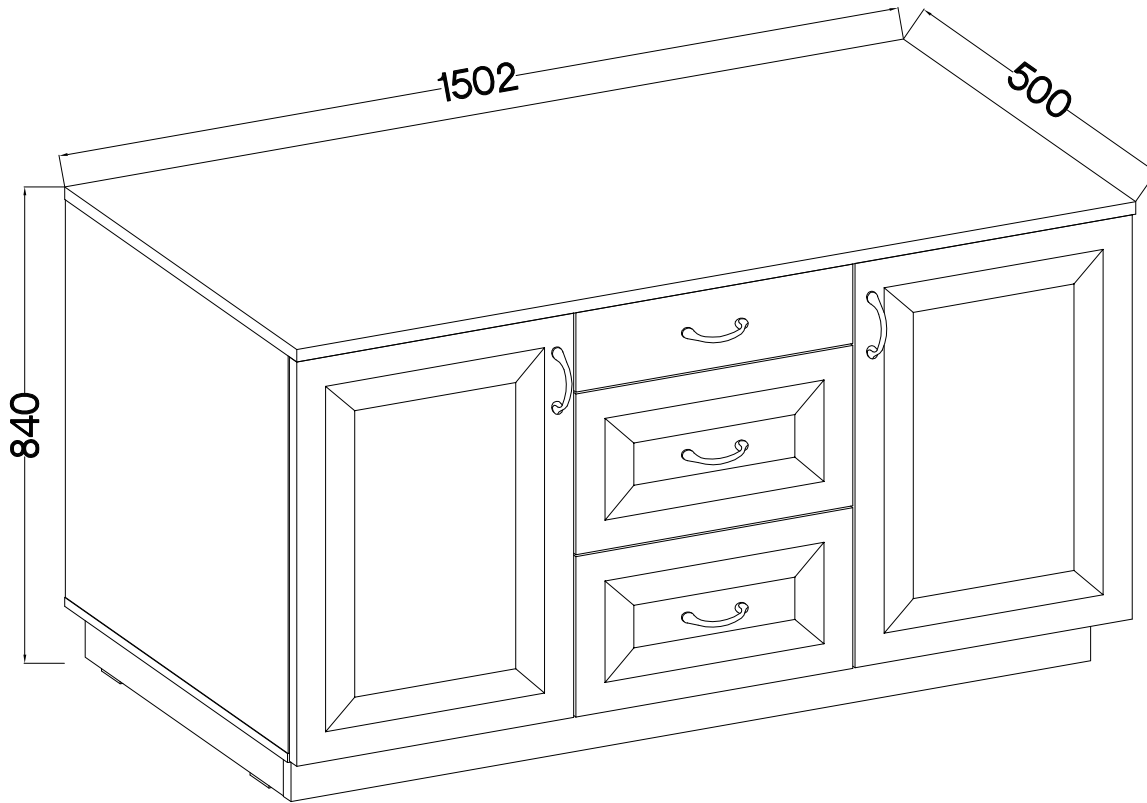
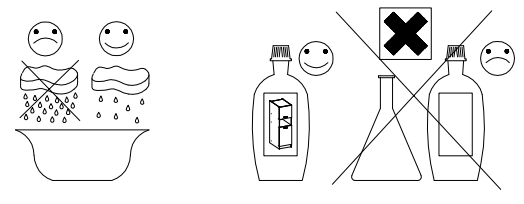
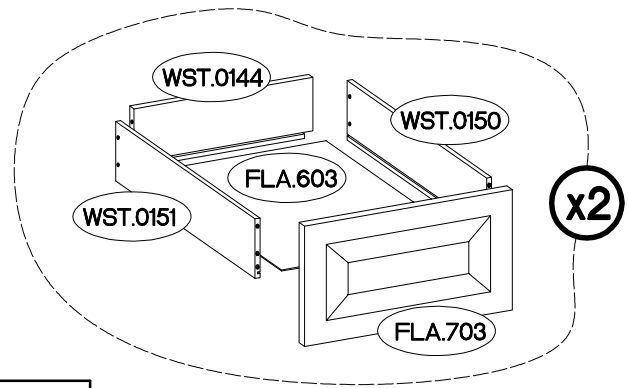
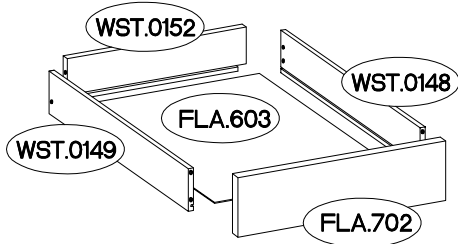
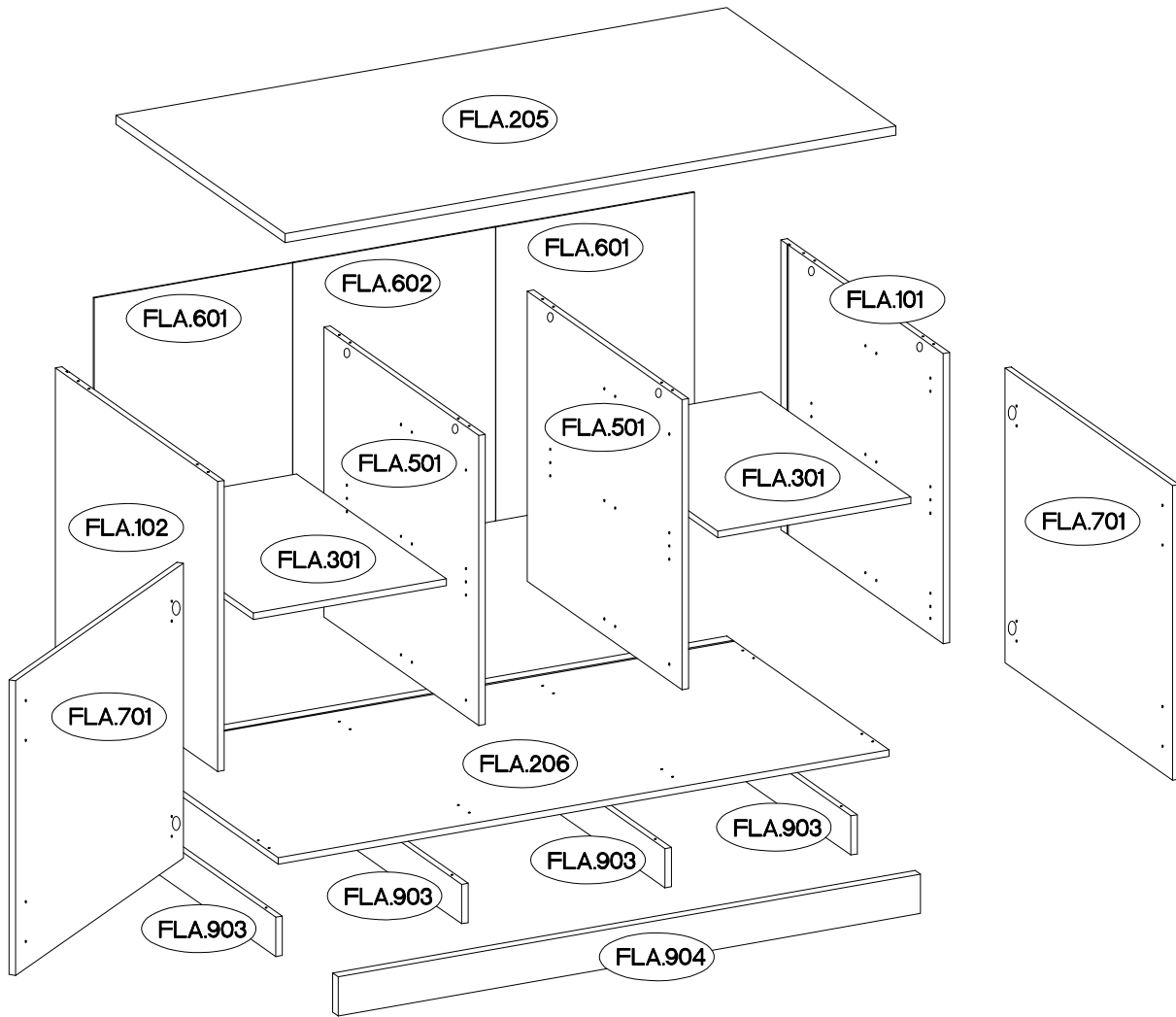


TYP 820



 +8x30mm A 36	 6,4 x 50mm B 8	 +6x42mm B2 10	 +15/12mm C 8	 +12/10mm C5 6	 L=20mm D2 14	 E 8	 E1 4	 +15x5mm F4 2	 6.5x48x16 F22 8
 +35/0mm HG 4	 L=400mm L R 3	 +5/16mm I9 8	 +20/8mm J3 18	 L J14 18	 L2 8	 L9 2	 +6.3x20mm M3 18	 O 1	 O1 1
 +10x50mm O7 2	 +4.0x16mm P1 14	 +3.5x13mm P5 10	 +3.0x20mm P7 8	 S 5	 T3 7	 M4x22mm U 10			

ISM-FLA-14



FLA.603




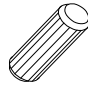

FLA.301

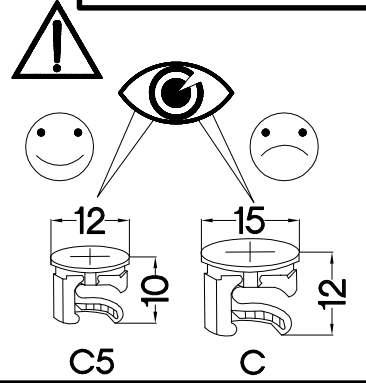
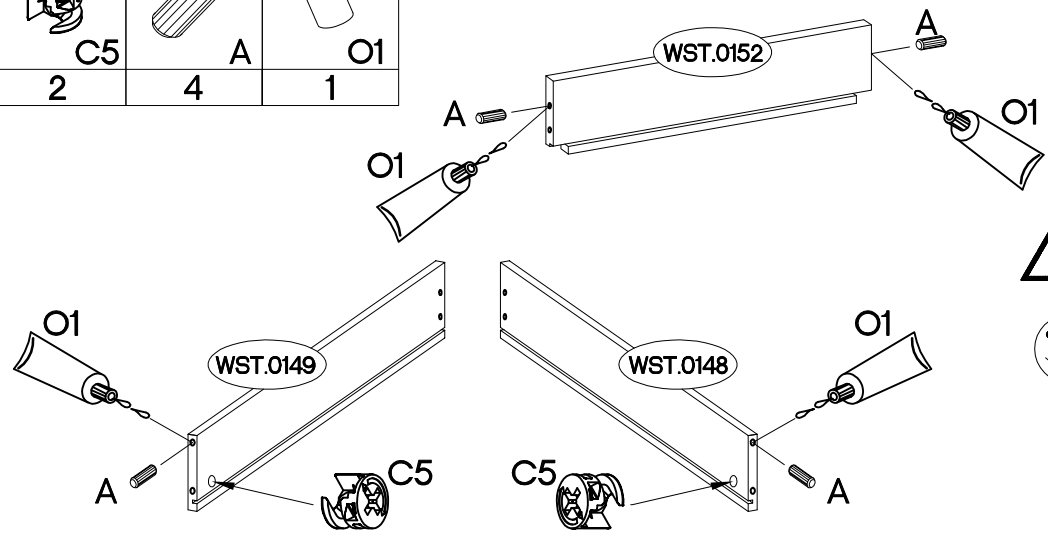
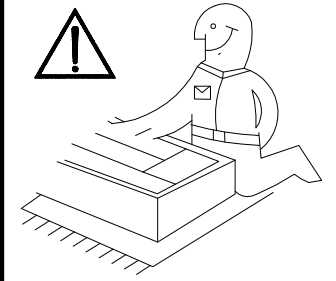
Colli	Ersatzteil Nummer	Dimension
Colli 1/3	FLA.101	702x480x16
	FLA.102	702x480x16
	FLA.301 x2	475x443x16
	FLA.601 x2	711x488x2.5
	FLA.602	711x498x2.5
	FLA.603 x3	396x437x2.5
	FLA.903x4	428x95x16
	WST.0148	400x100x12
	WST.0149	400x100x12
	WST.0150 x2	400x140x12
	WST.0151 x2	400x140x12
	WST.0152	427x100x12
	WST.0144 x2	427x140x12

Colli	Ersatzteil Nummer	Dimension
Colli 2/3	FLA.205	1502x500x22
	FLA.206	1502x480x16
	FLA.501 x2	702x458x16
	FLA.904	1432x95x16



Colli	Ersatzteil Nummer	Dimension
Colli 3/3	FLA.701 x2	713x496x16
	FLA.702	140x496x16
	FLA.703 x2	283x496x16

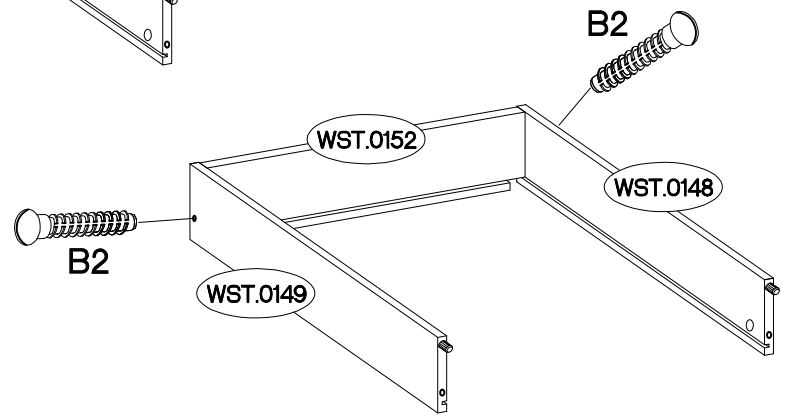
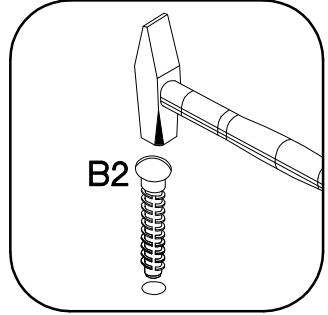
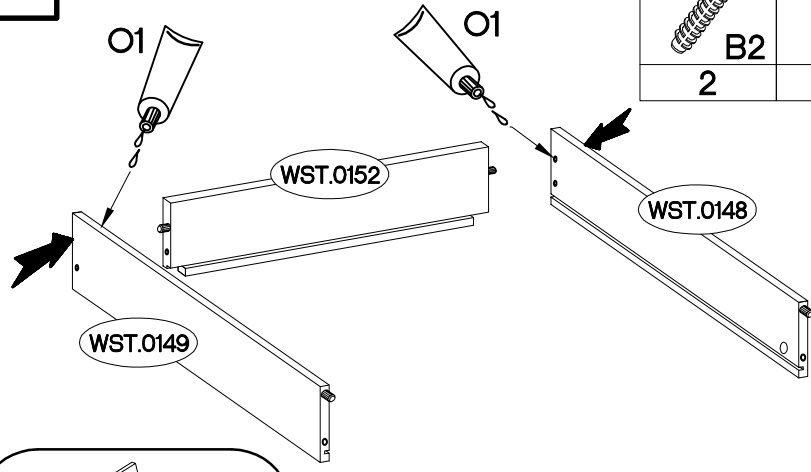
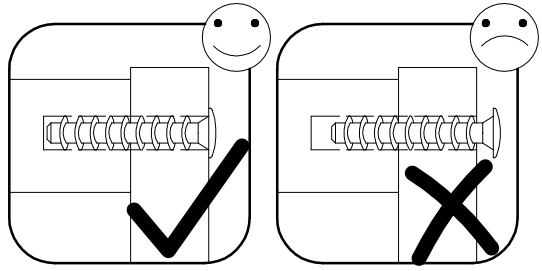
1

#2/10mm  C5 2	+8x30mm  A 4	 O1 1
--	---	---




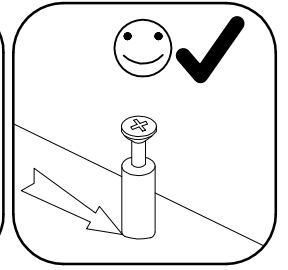
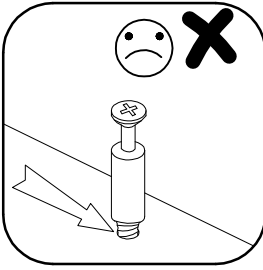
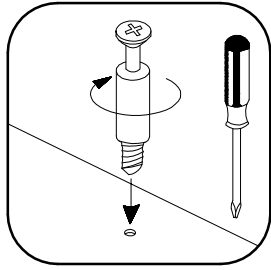
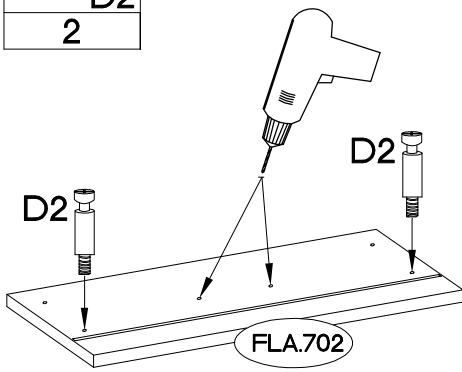
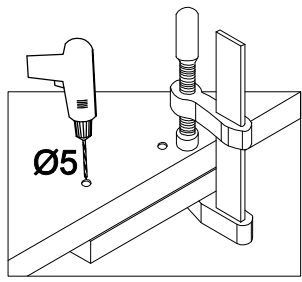
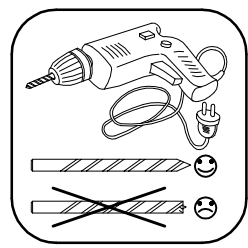
2

+6x42mm  B2 2	 O1 1
---	--

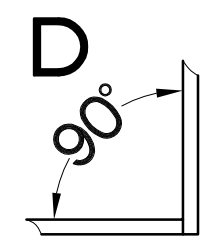
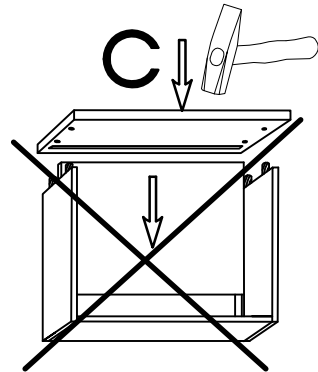
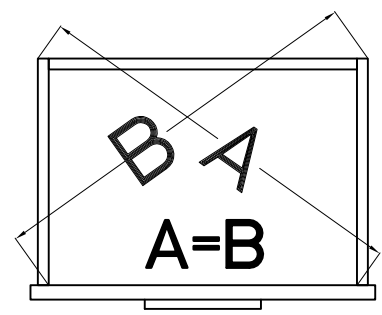
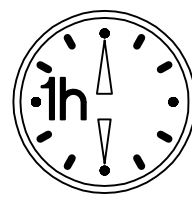
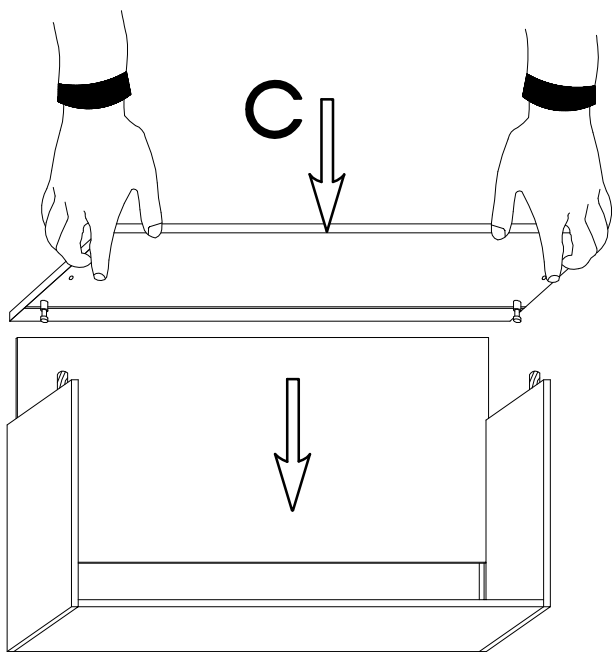
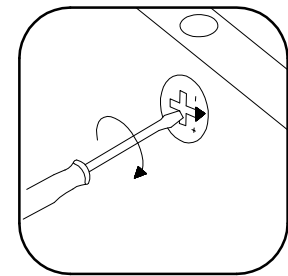
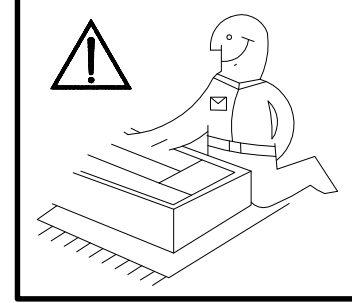
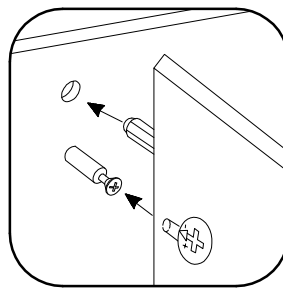
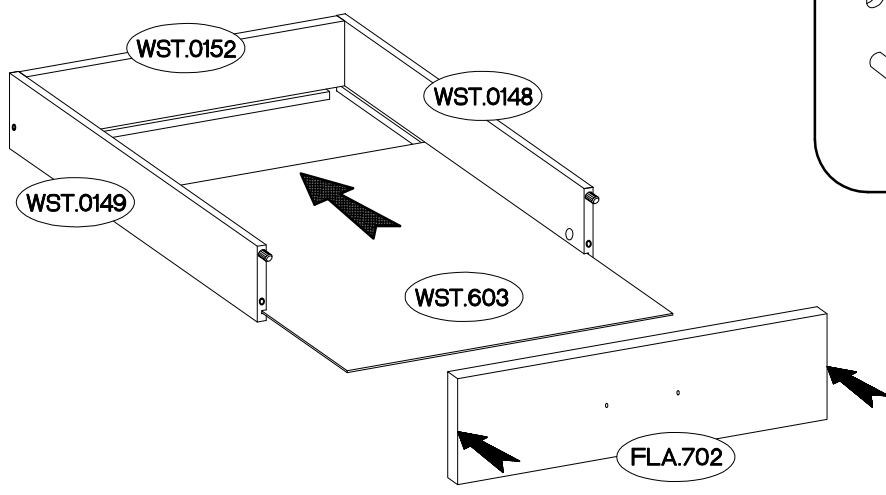


3

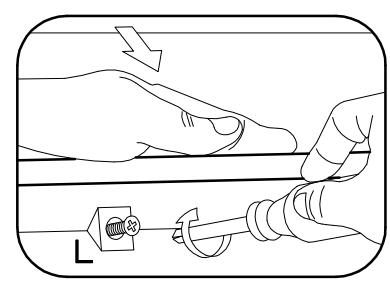
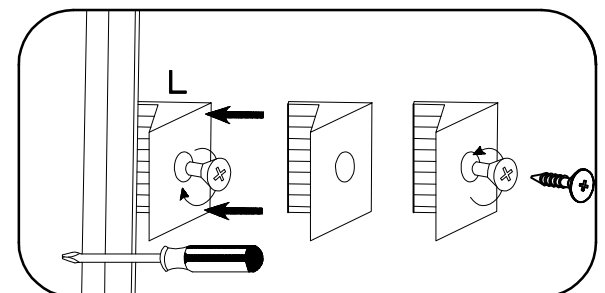
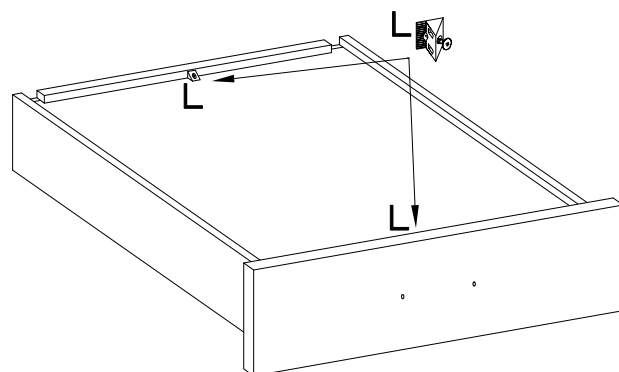
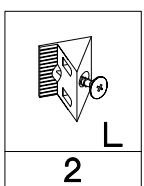
L=20mm  D2 2
--




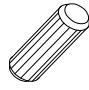

4



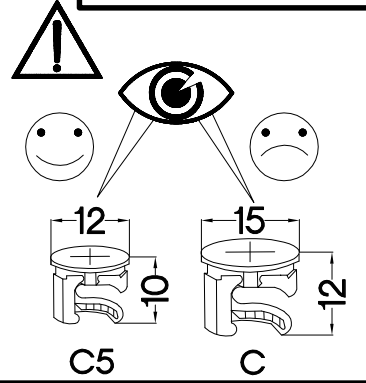
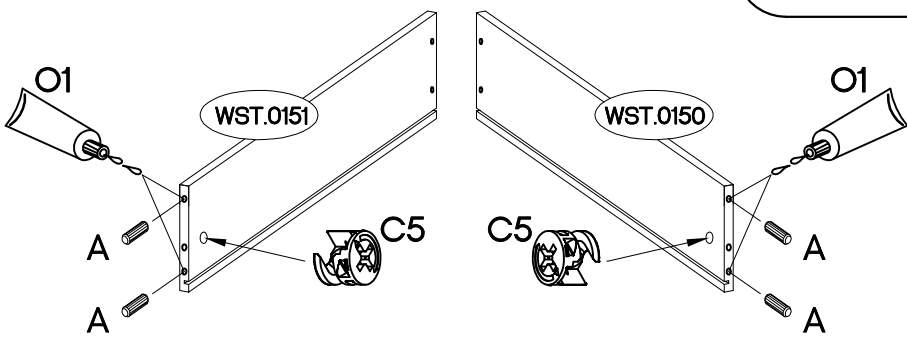
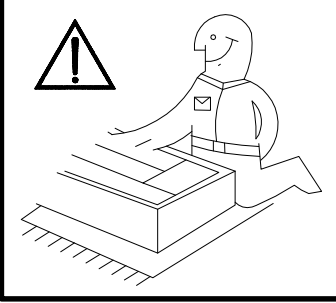
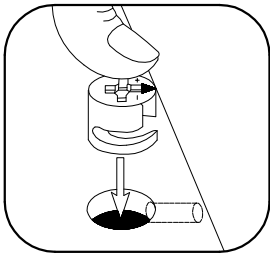
5




6

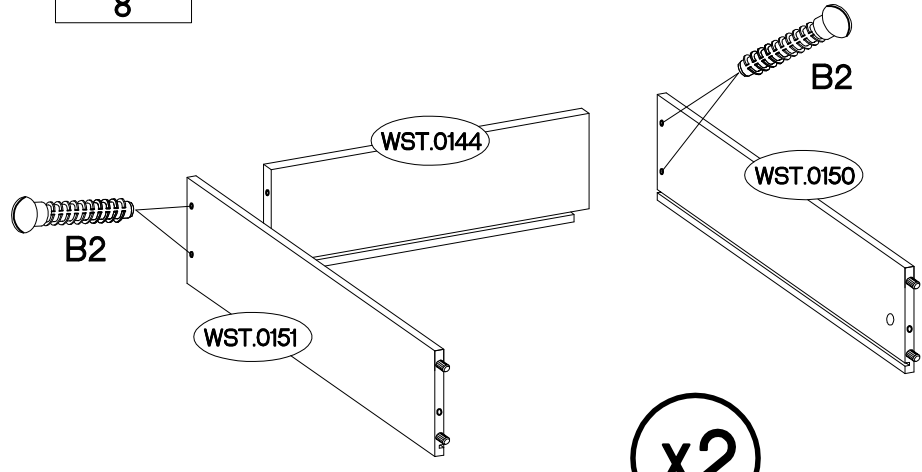
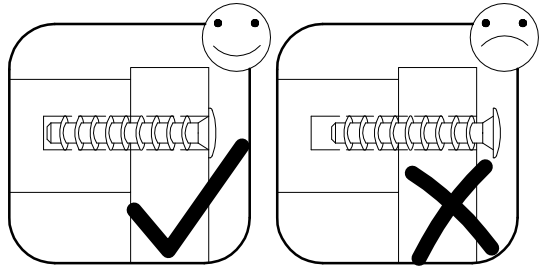
 C5 4	 A 8	 O1 1
--	---	--

x2

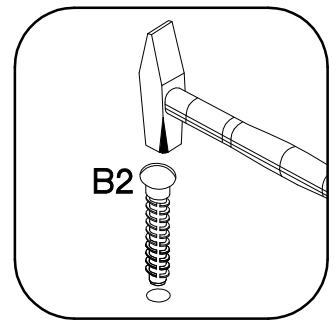


7

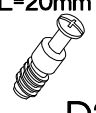
 B2 8



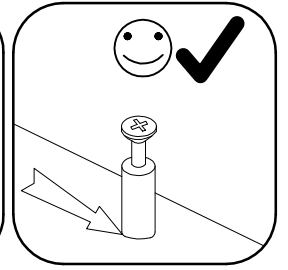
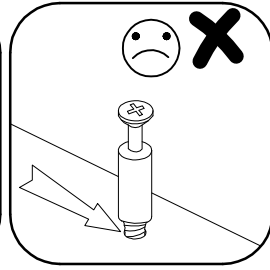
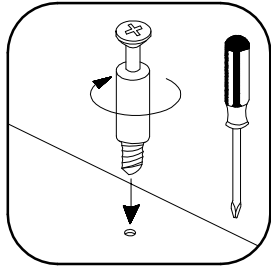
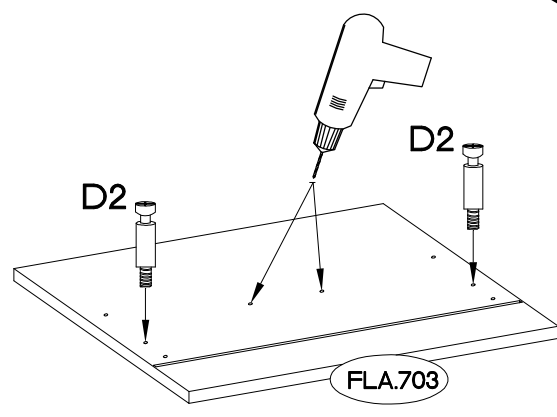
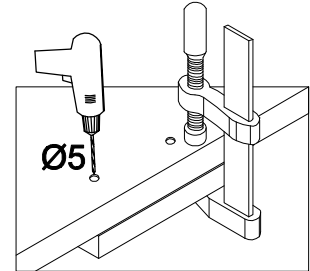
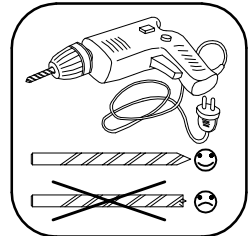
x2



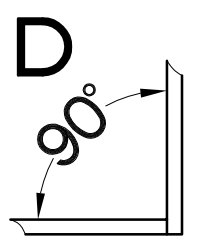
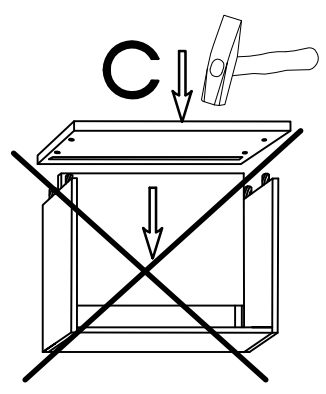
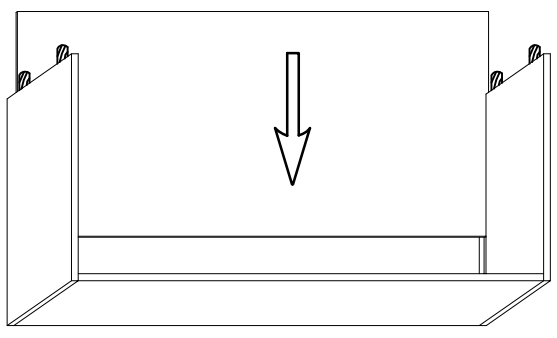
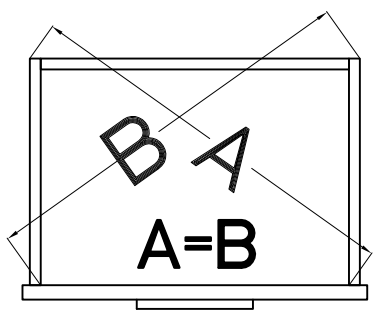
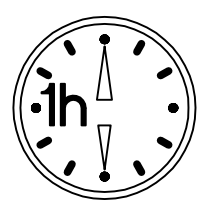
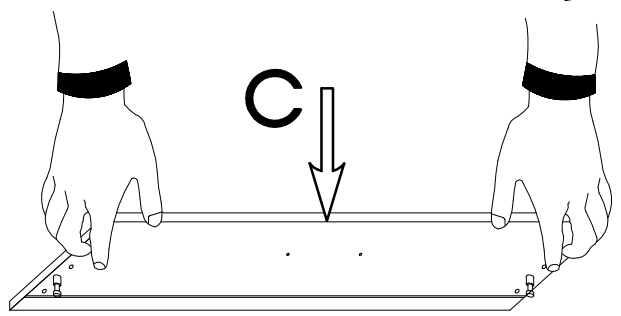
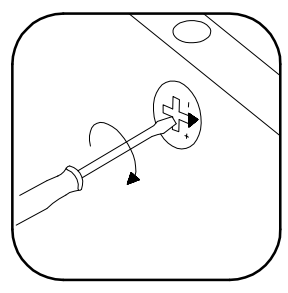
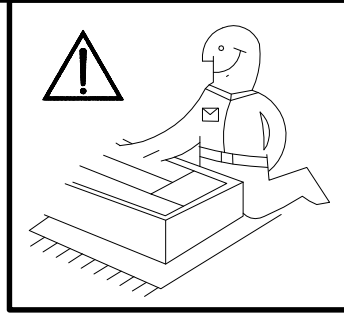
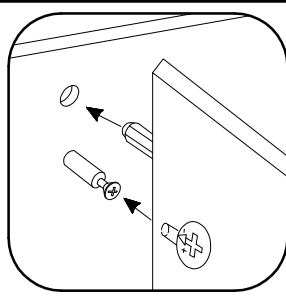
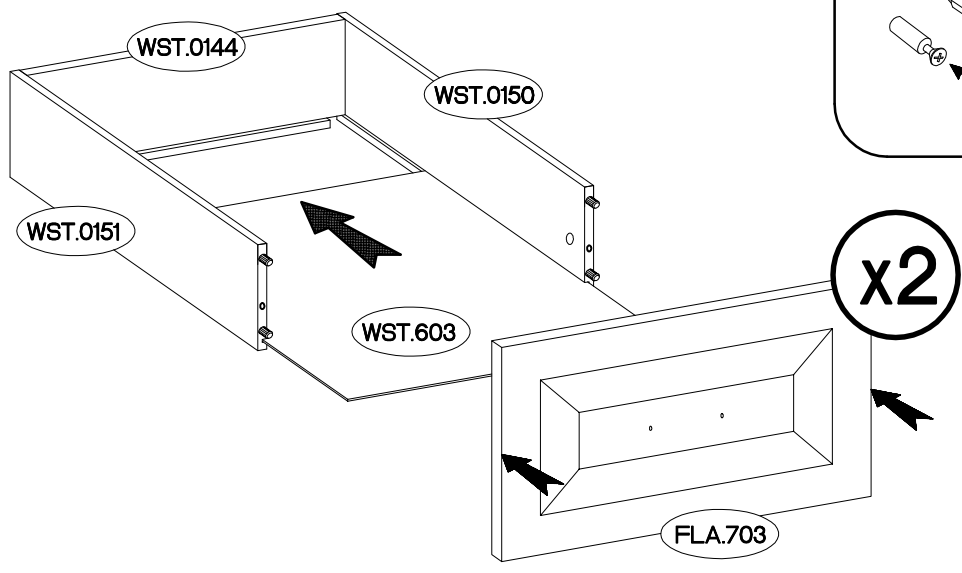
8

 D2 4

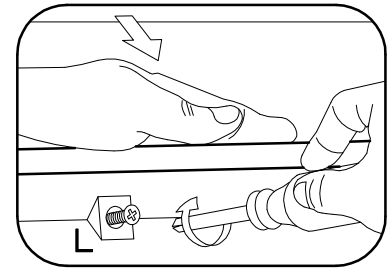
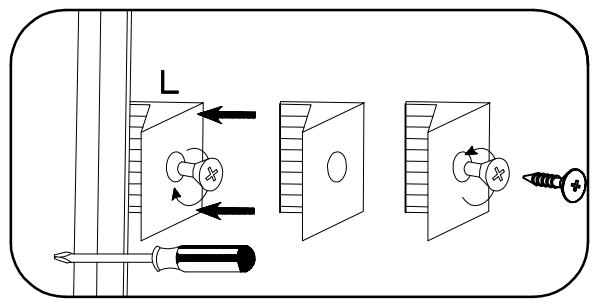
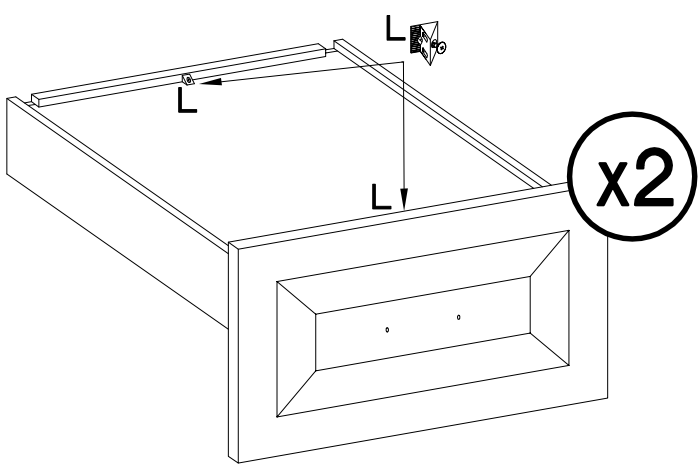
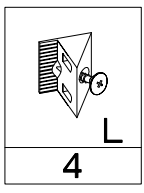
x2

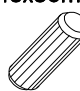

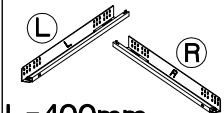

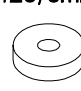


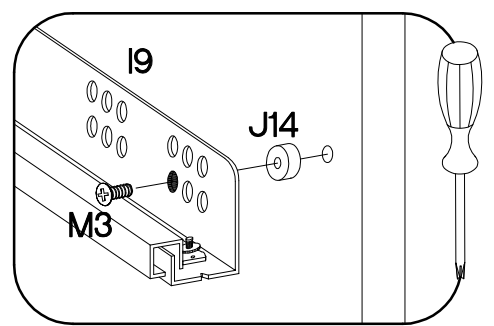
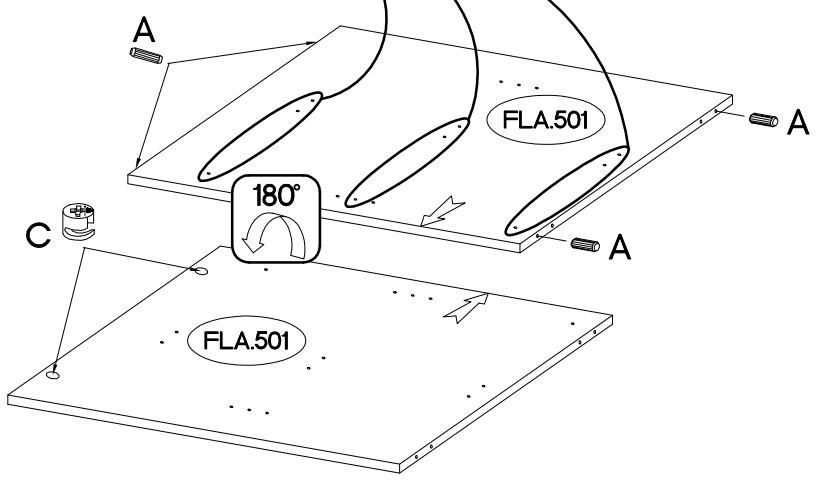
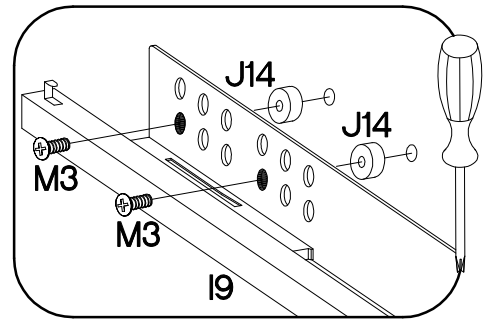
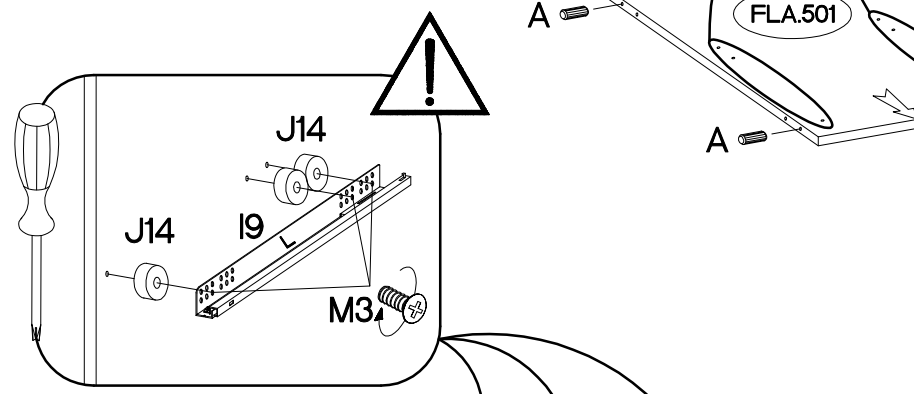
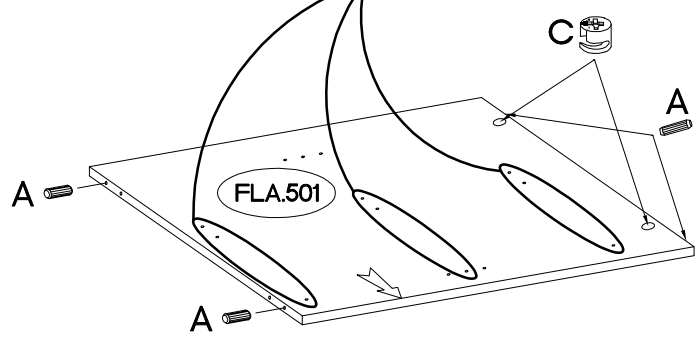
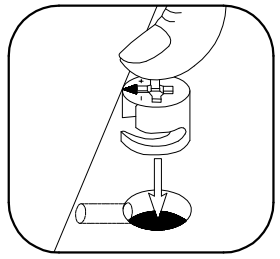
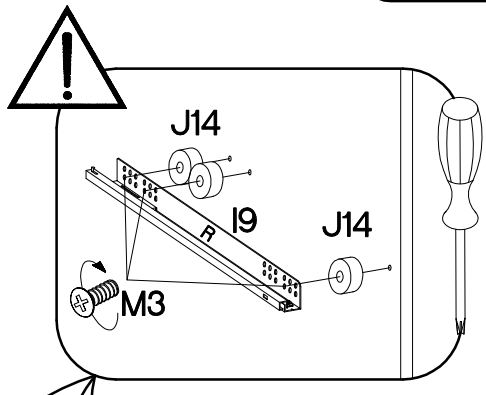
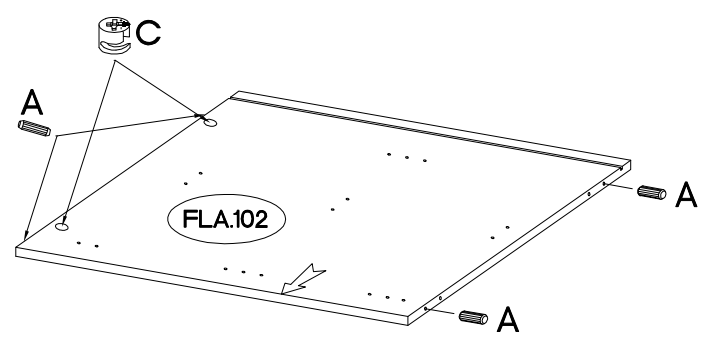
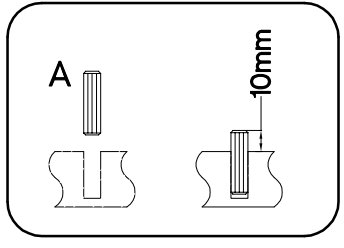
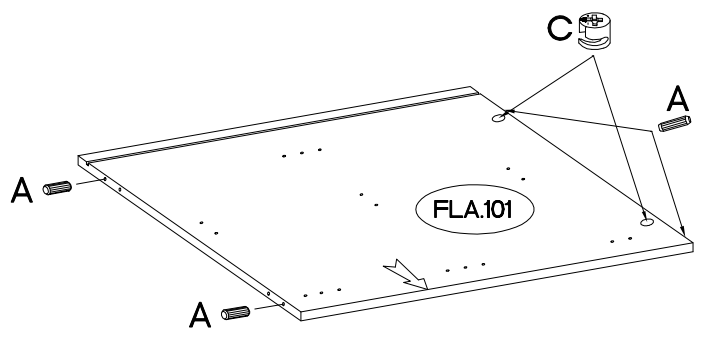
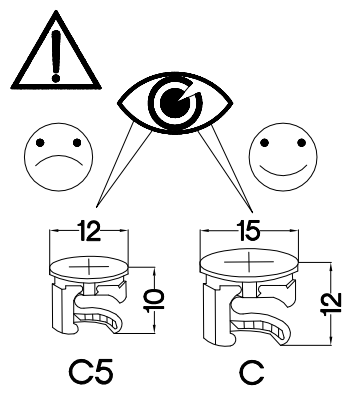
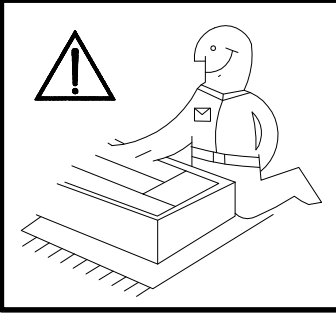
9



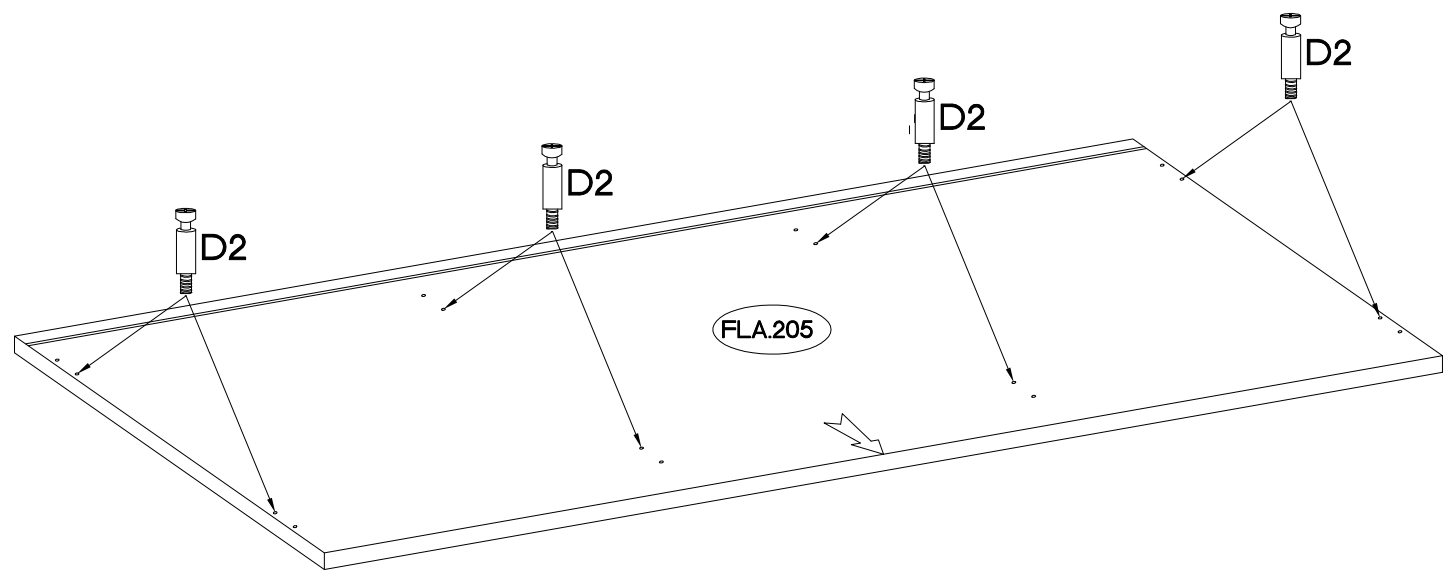
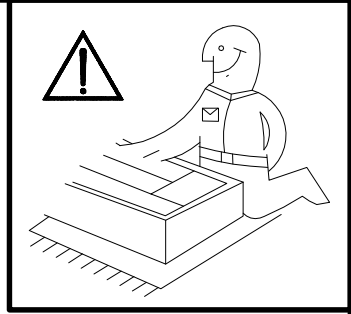
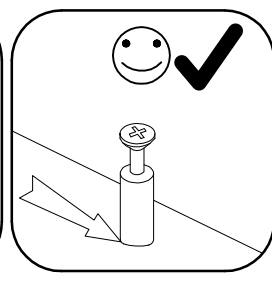
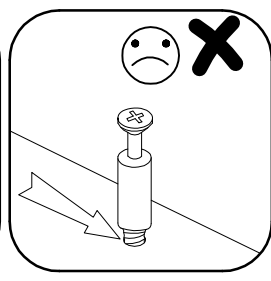
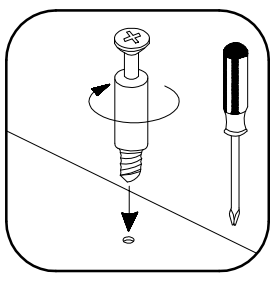
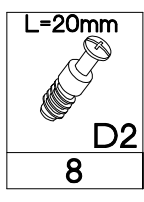
10



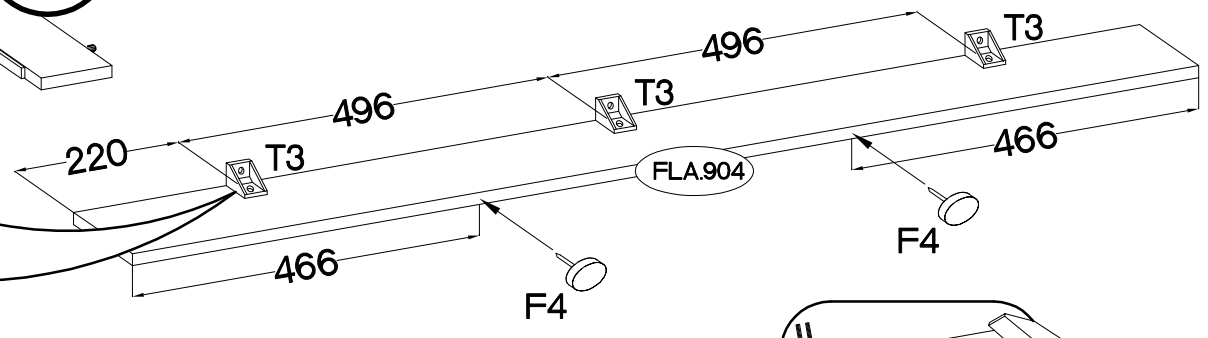
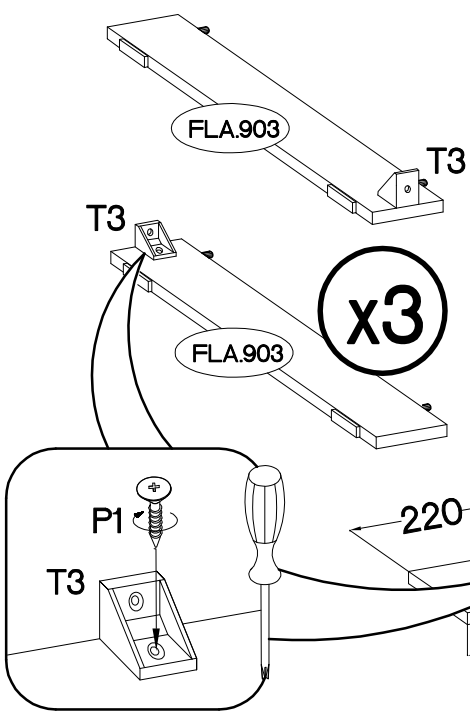
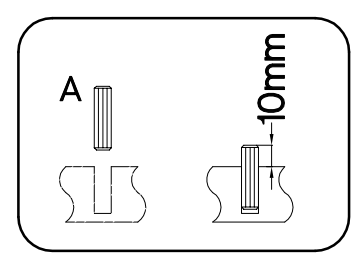
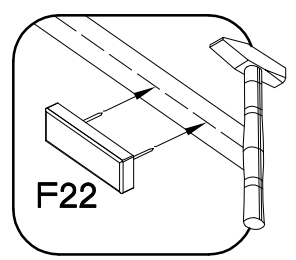
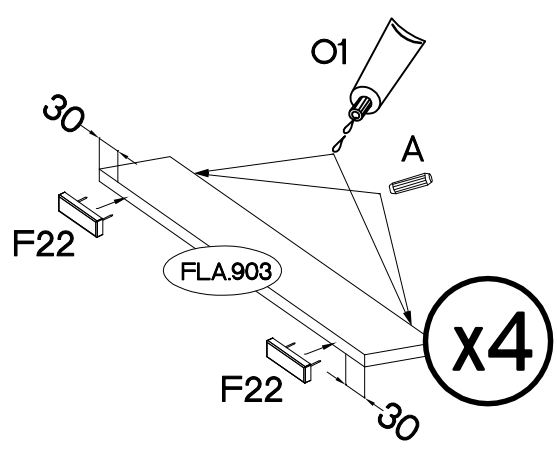
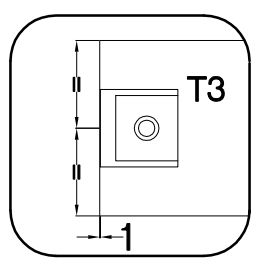
$\pm 8 \times 30 \text{mm}$  A 16	$\pm 15/12 \text{mm}$  C 8	$L=400 \text{mm}$  I9 3	$\pm 6.3 \times 20 \text{mm}$  M3 18	$\pm 20/8 \text{mm}$  J14 18
--	---	--	---	---



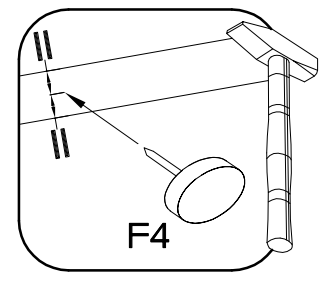
12



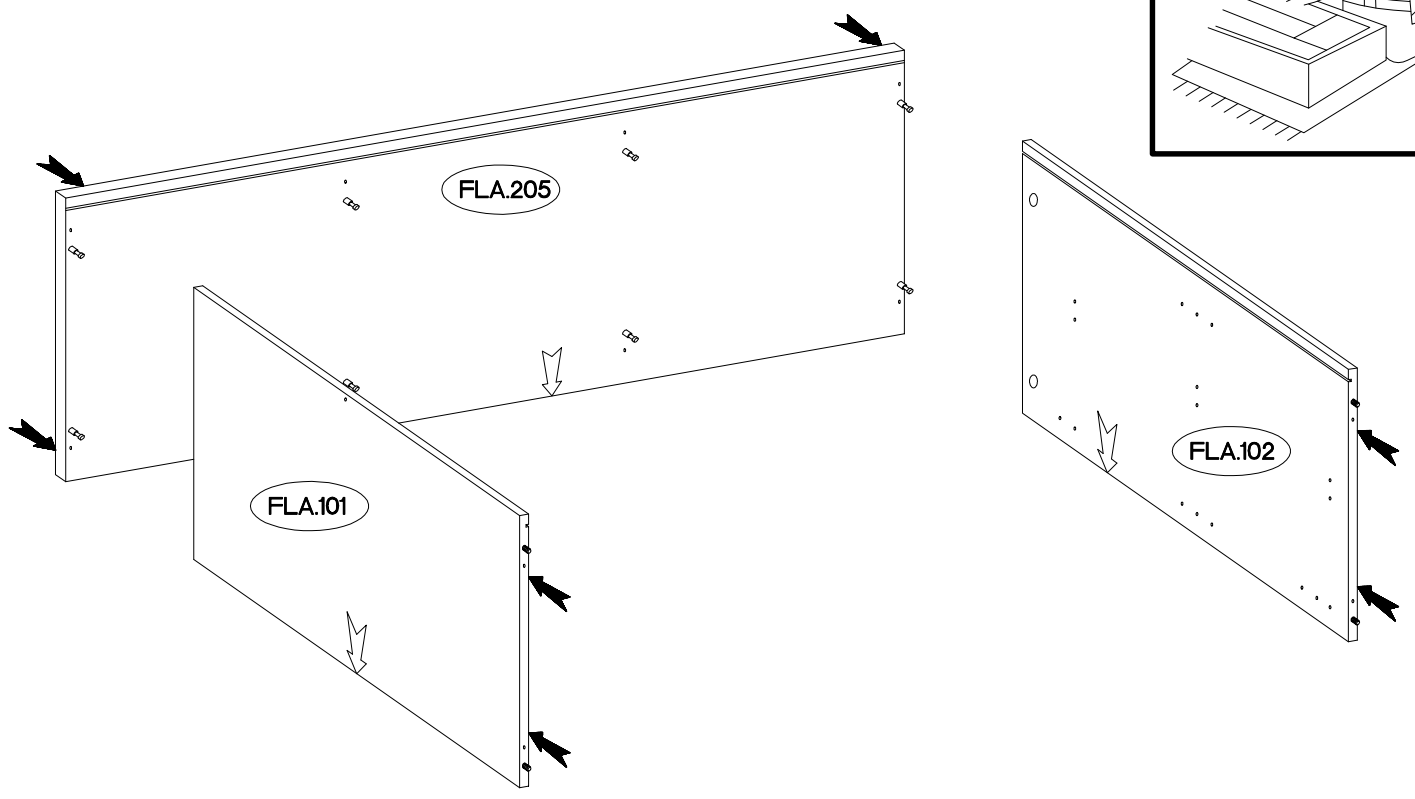
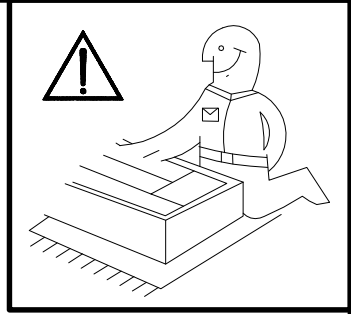
13



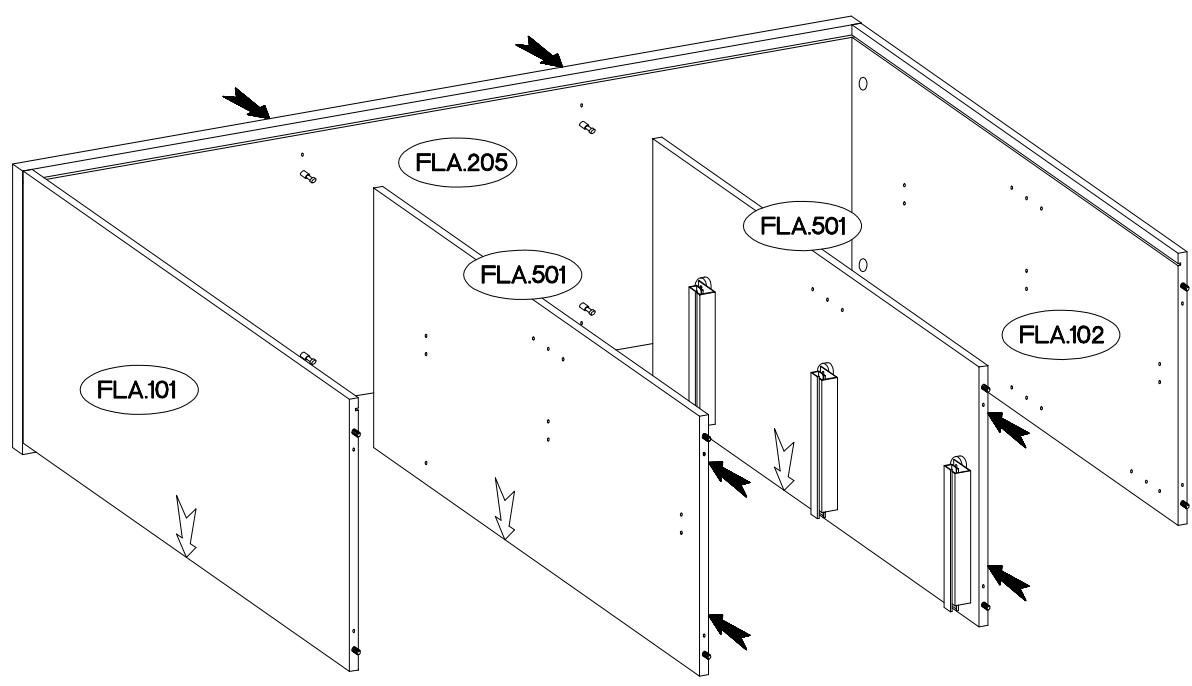
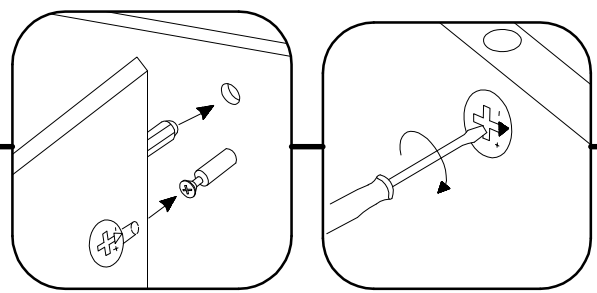
	+4.0x16mm	6.5x48x16	+15x5mm		+8x30mm
T3	P1	F22	F4	O1	A
7	7	8	2	1	8

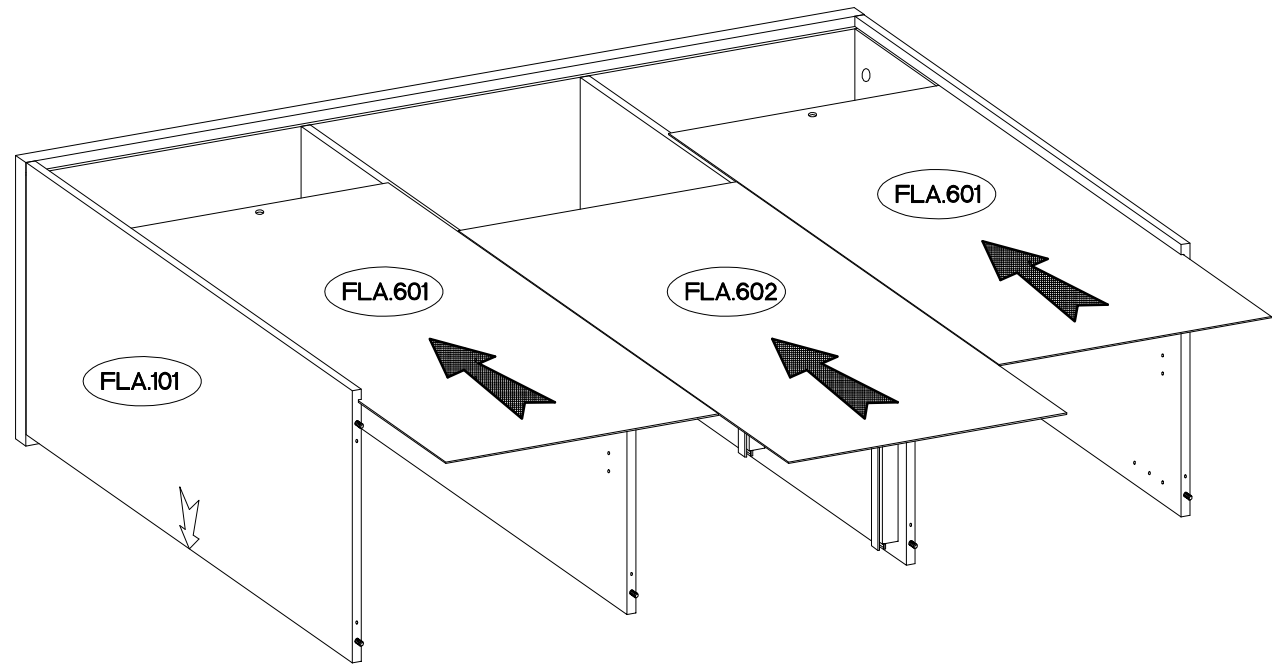
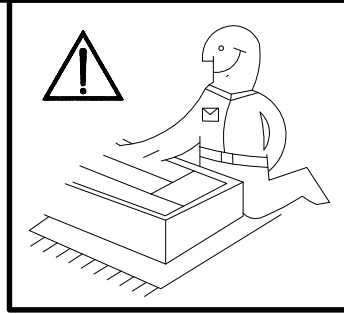
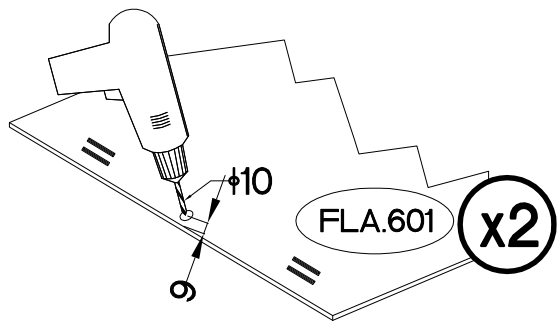



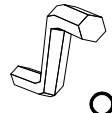

14

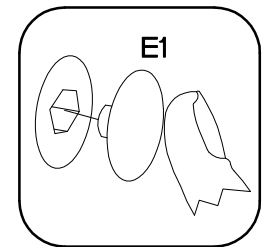
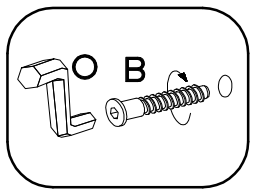
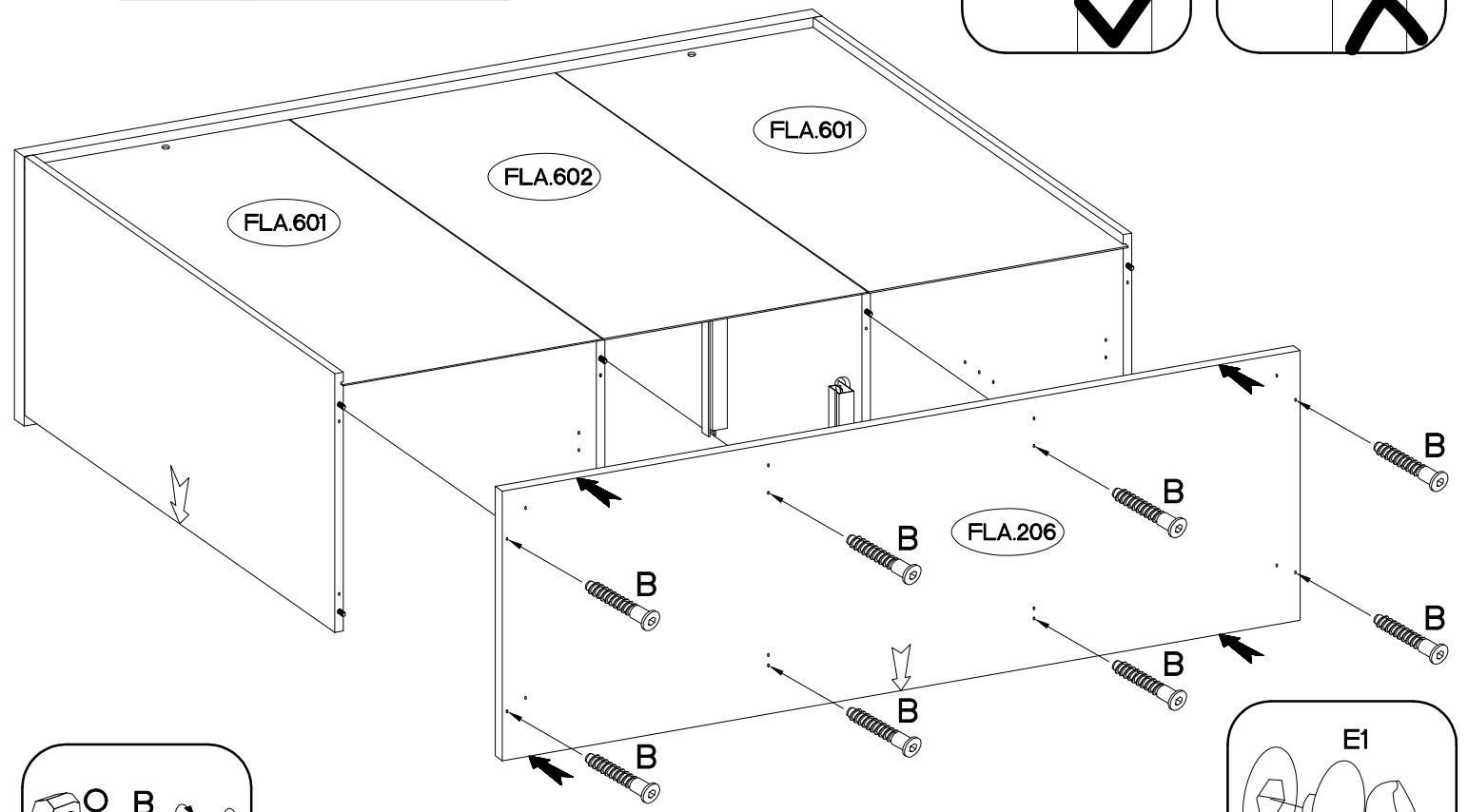
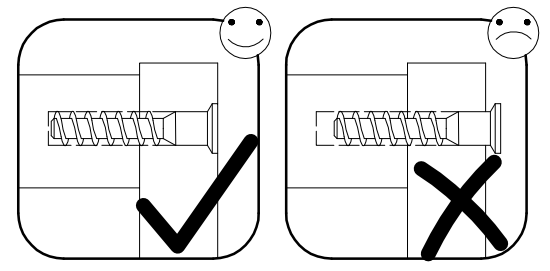


15

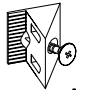

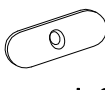


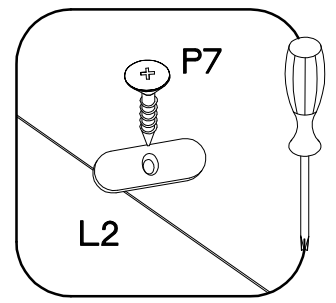
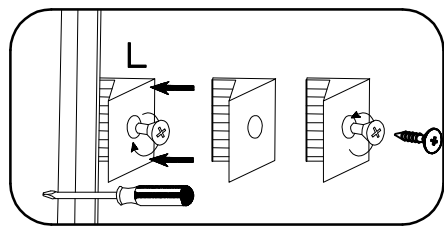
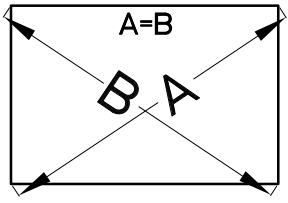
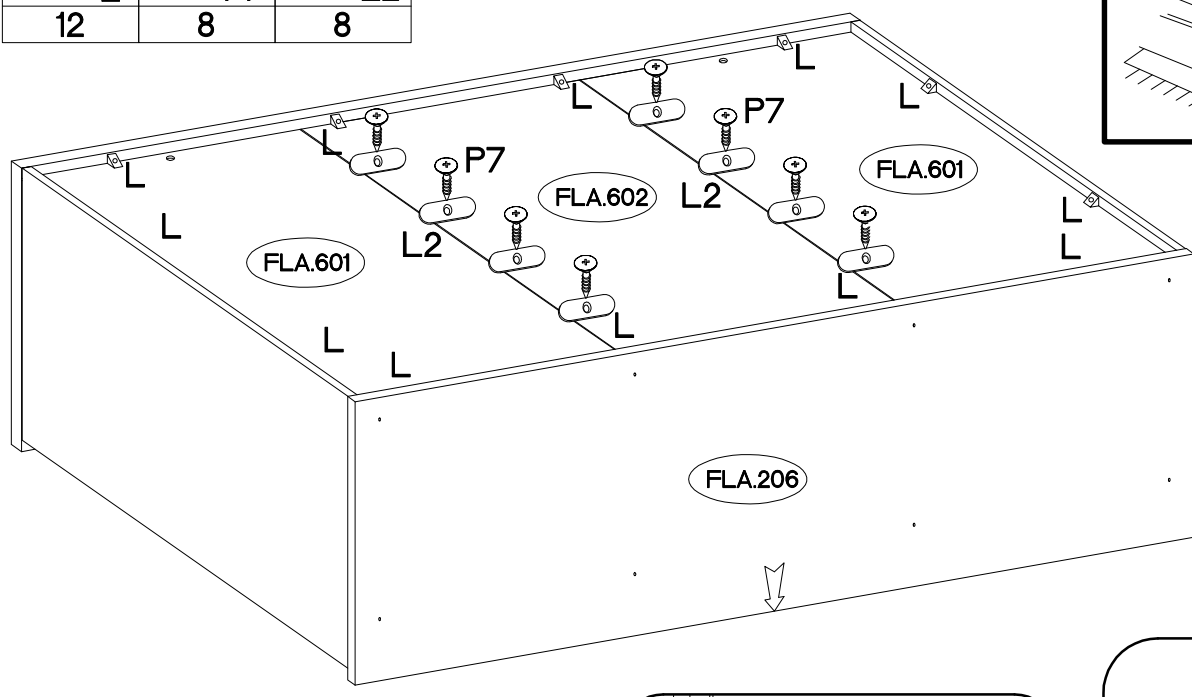
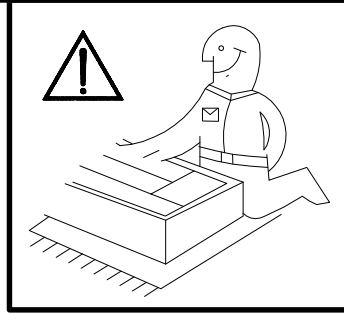


6,4 x 50mm		
		
B	O	E1
8	1	4




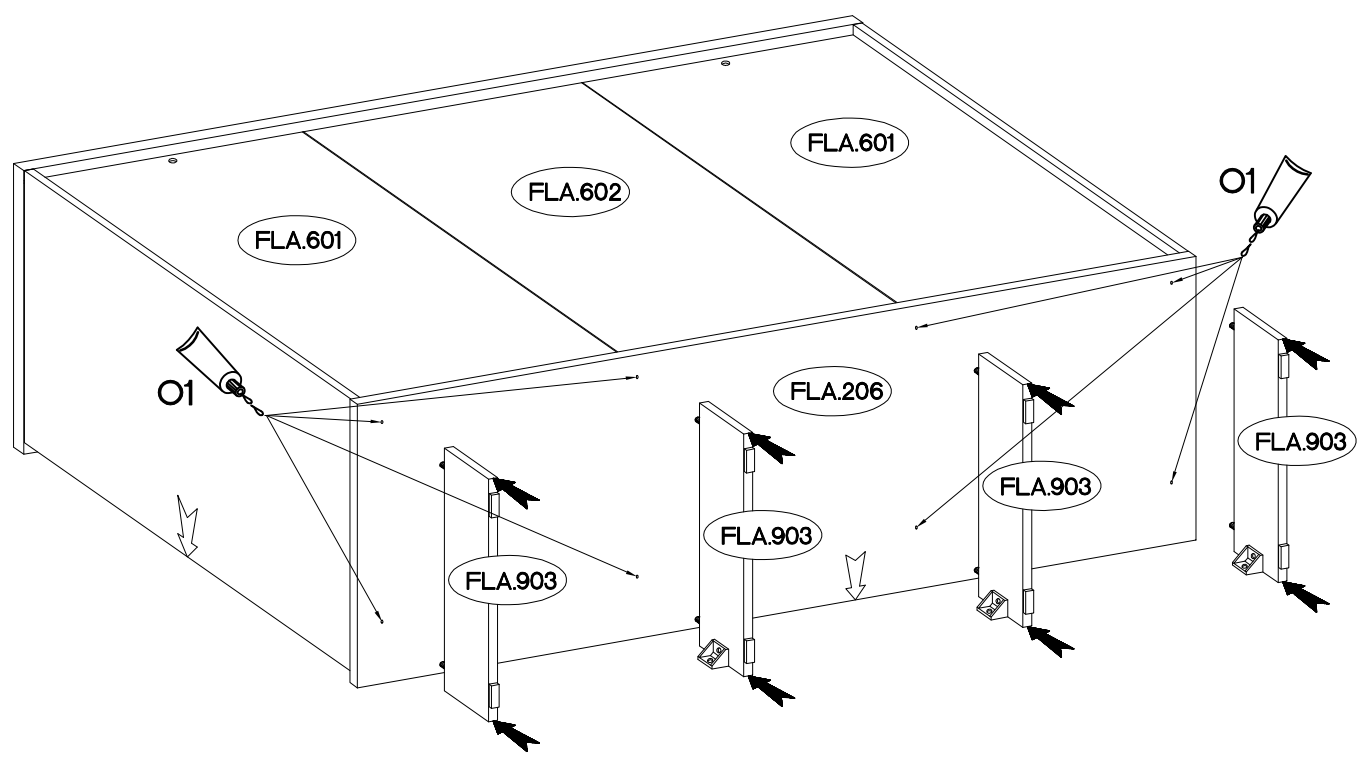
17

	$\varnothing 3.0 \times 20 \text{mm}$ 	
L	P7	L2
12	8	8



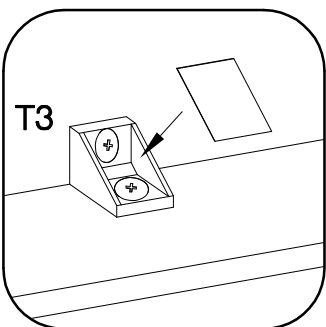
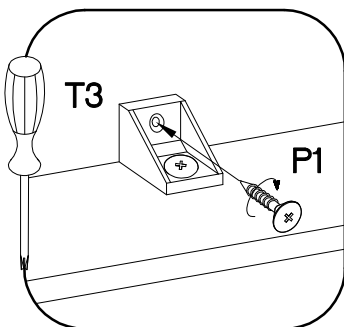
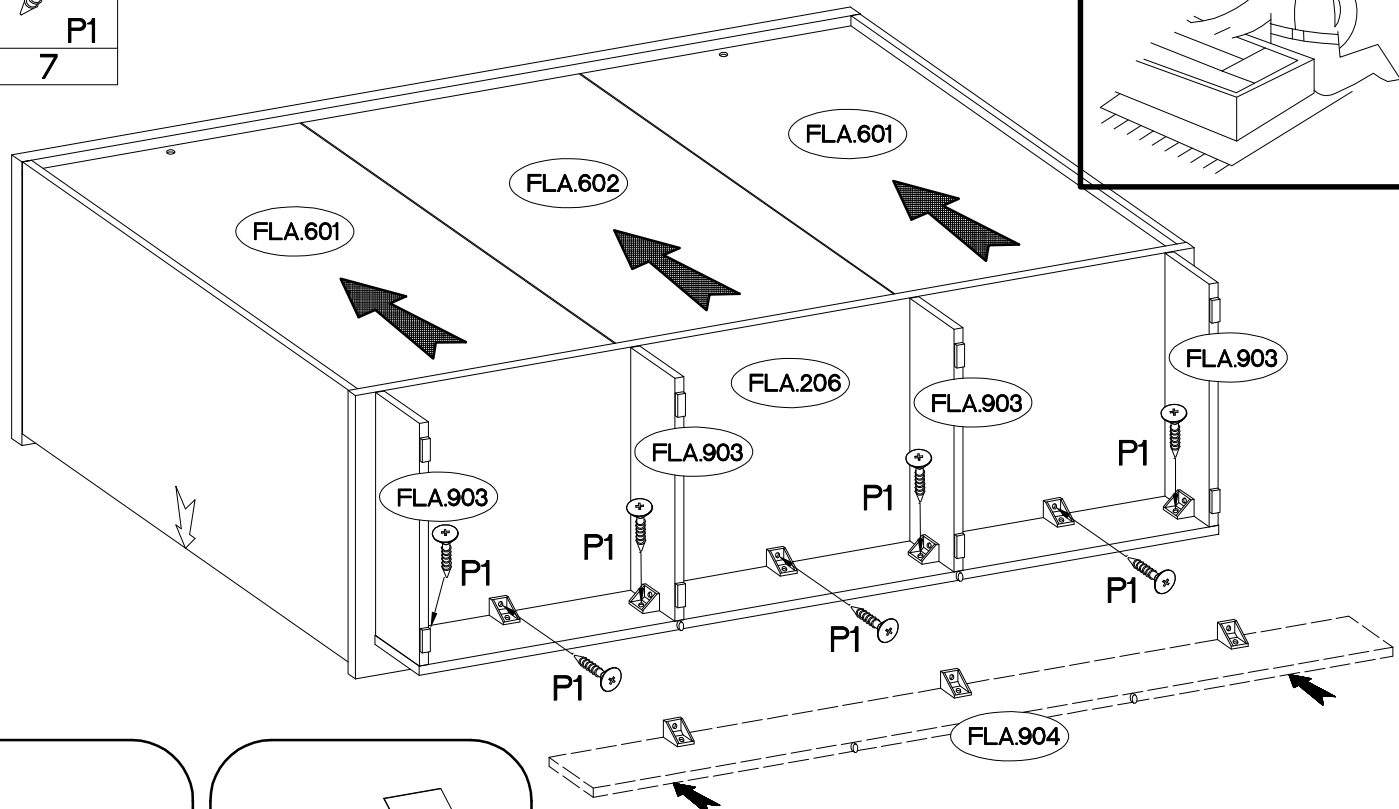
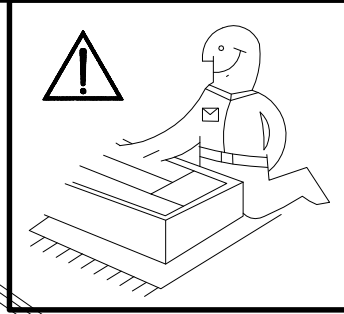
18


O1
1

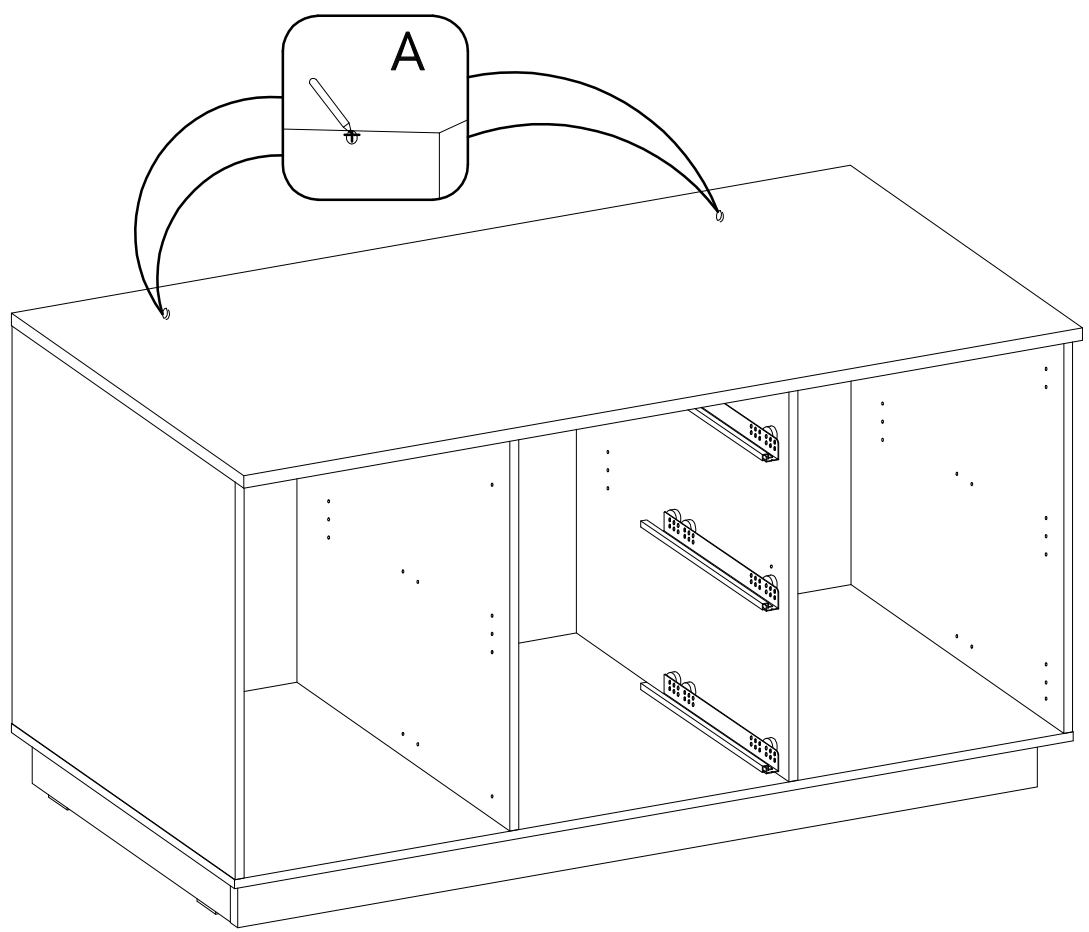





19

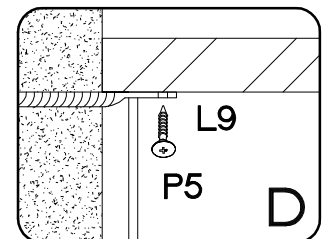
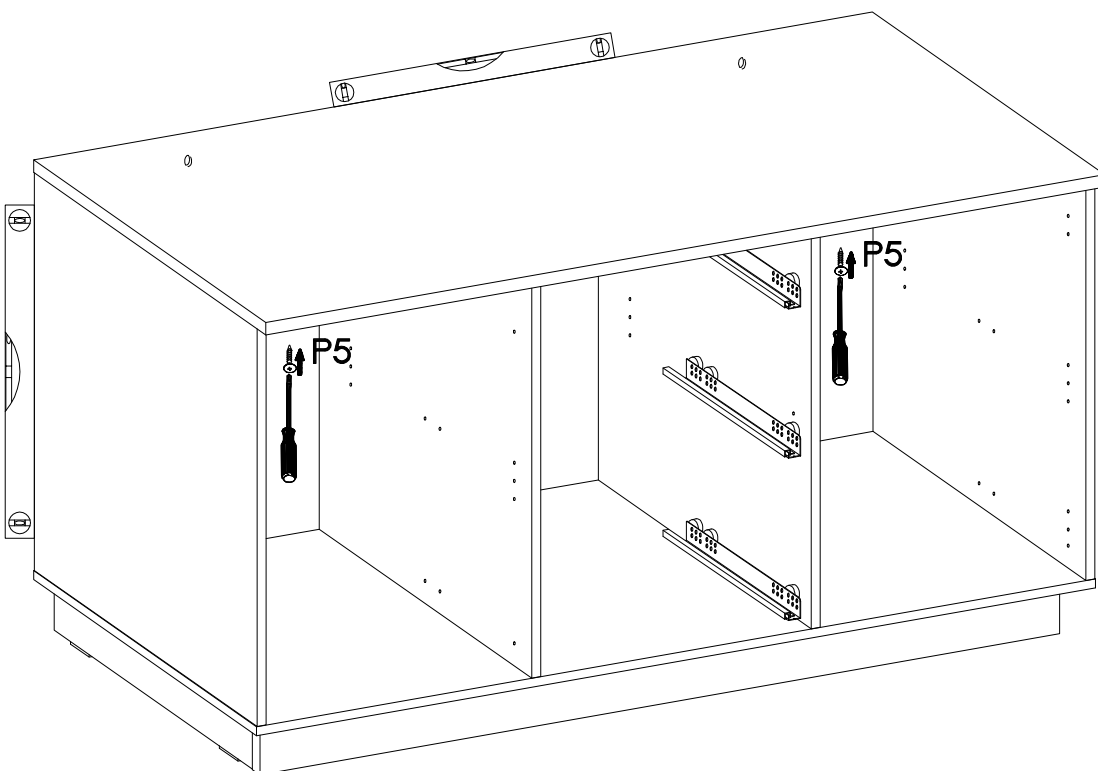
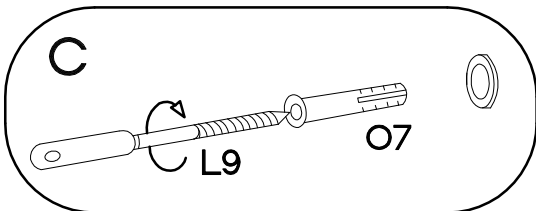
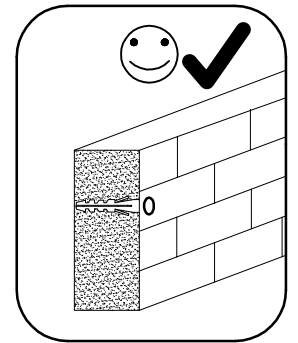
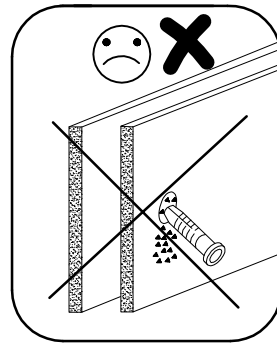
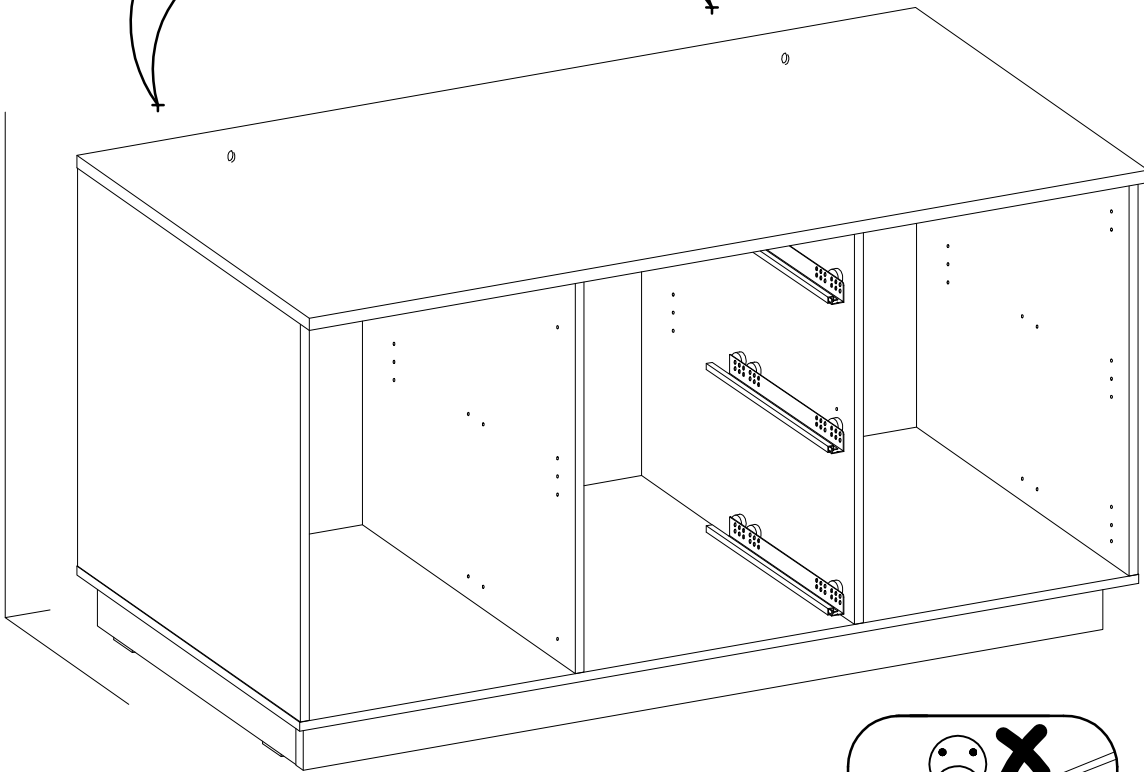
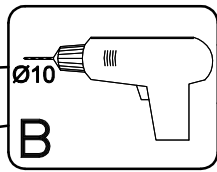
4.0x16mm
P1
7



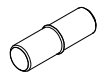

20

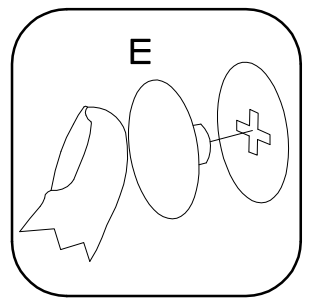
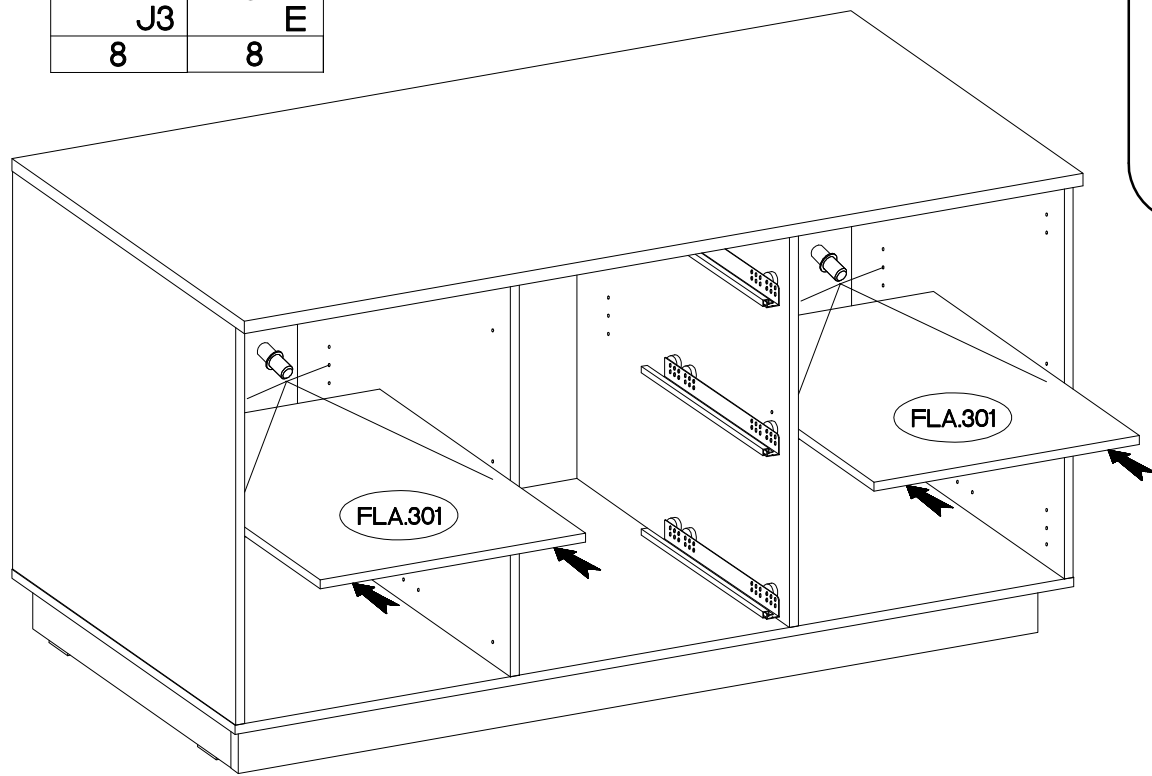
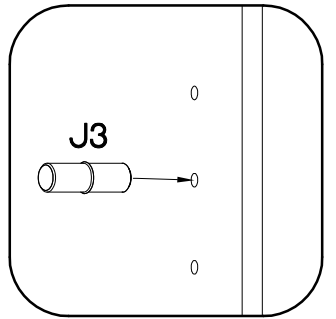


$\varnothing 10 \times 50 \text{mm}$  O7 2	$\varnothing 3.5 \times 13 \text{mm}$  L9 2	$\varnothing 3.5 \times 13 \text{mm}$  P5 2
--	---	---





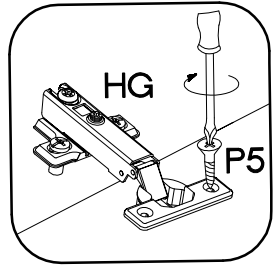
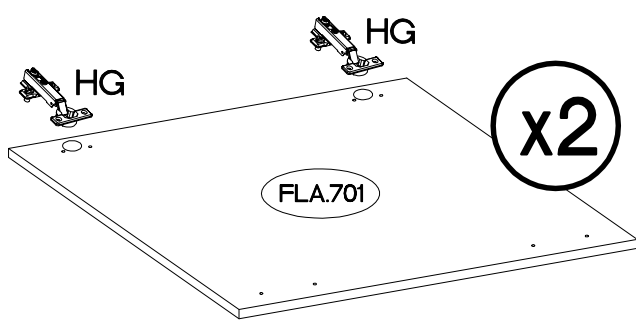
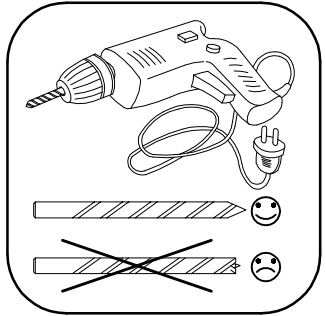
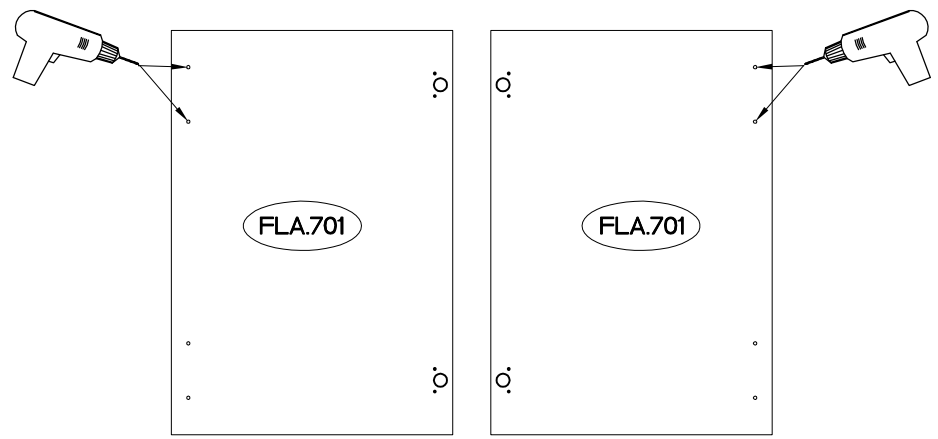
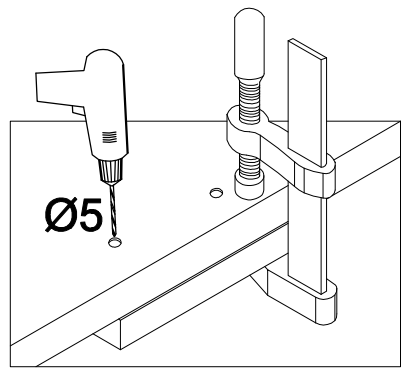
21

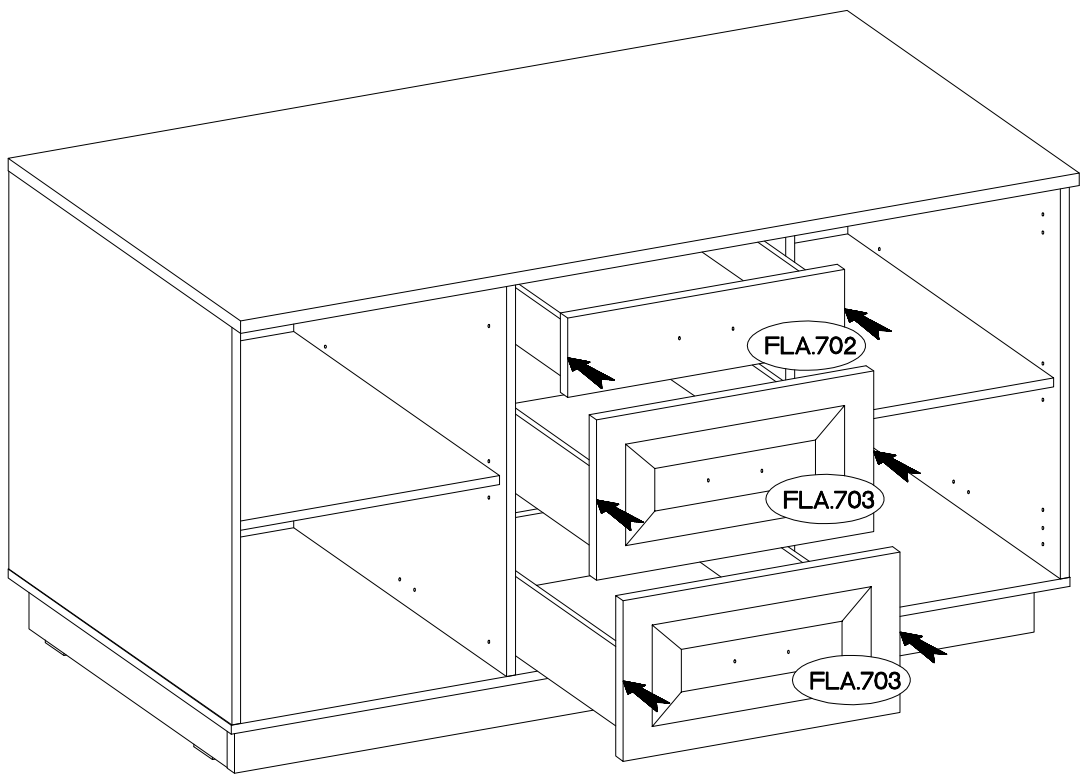
±5/16mm		
	J3	E
	8	8



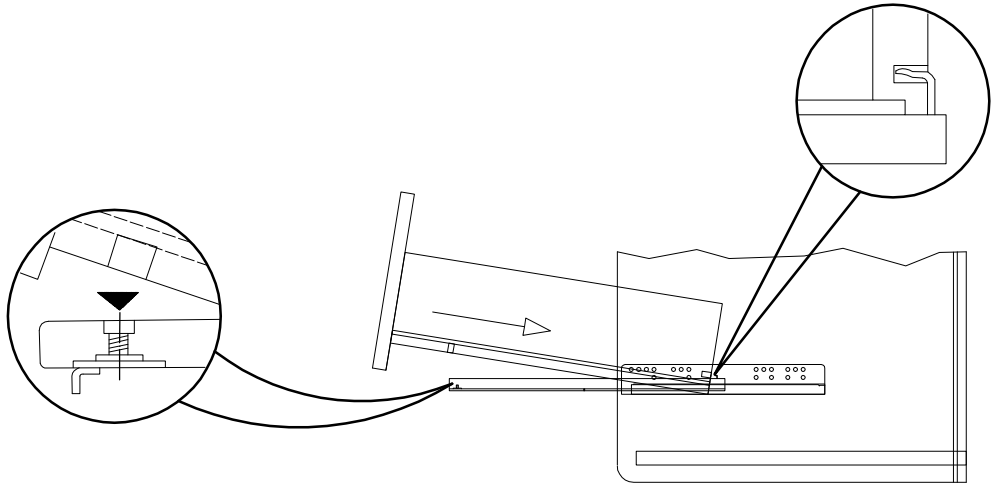
22

±35/0mm	±3.5x13mm
	
HG	P5
4	8

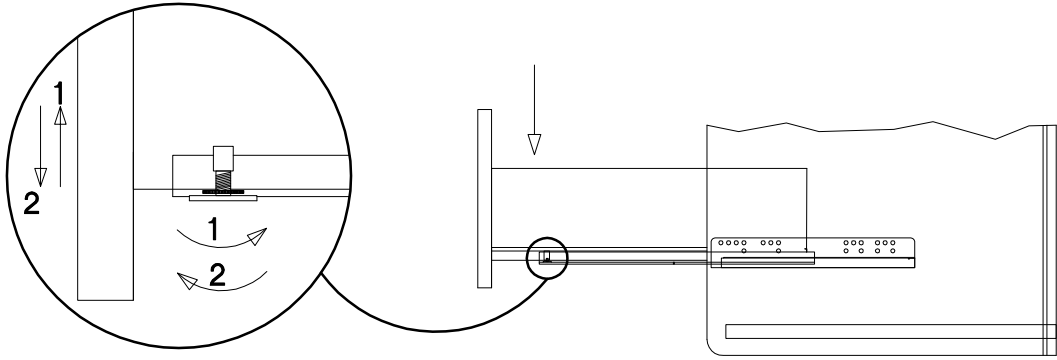






1.



2.



M4x22mm	
	
U	S
10	5

