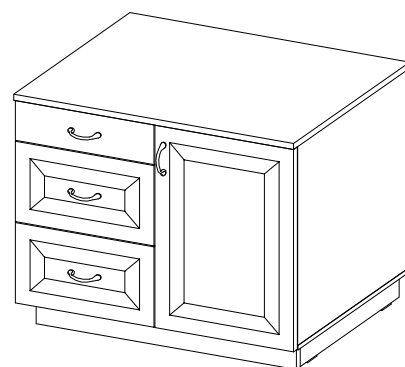
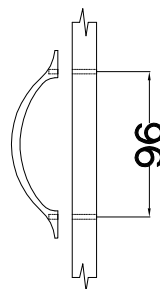
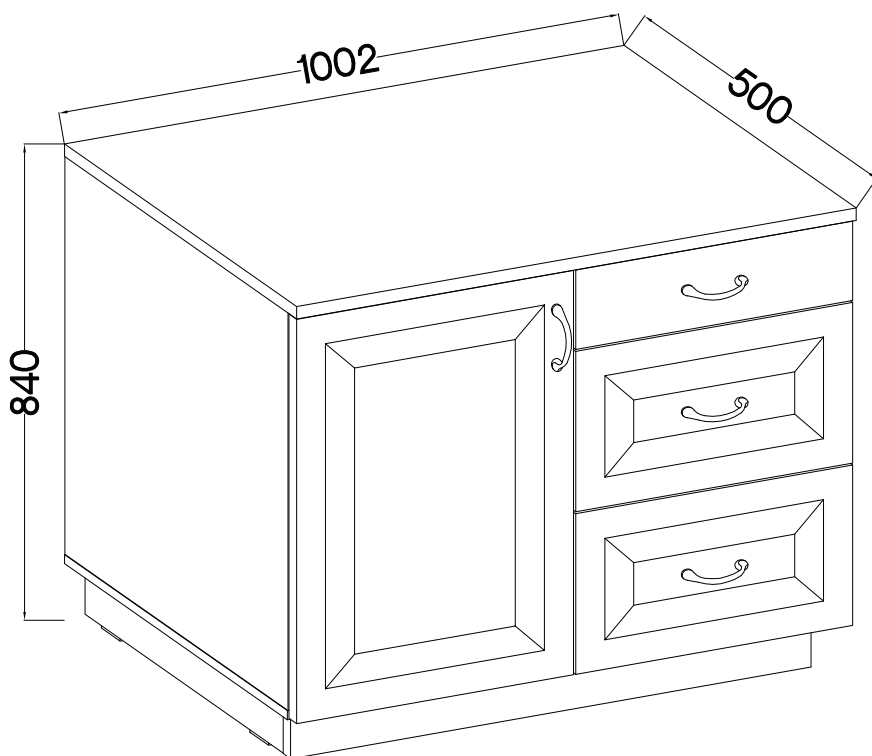




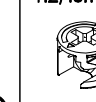
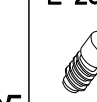





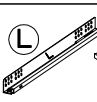


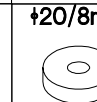
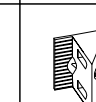
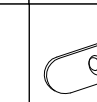
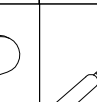
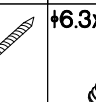
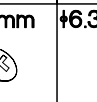
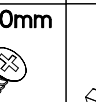



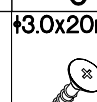
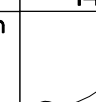




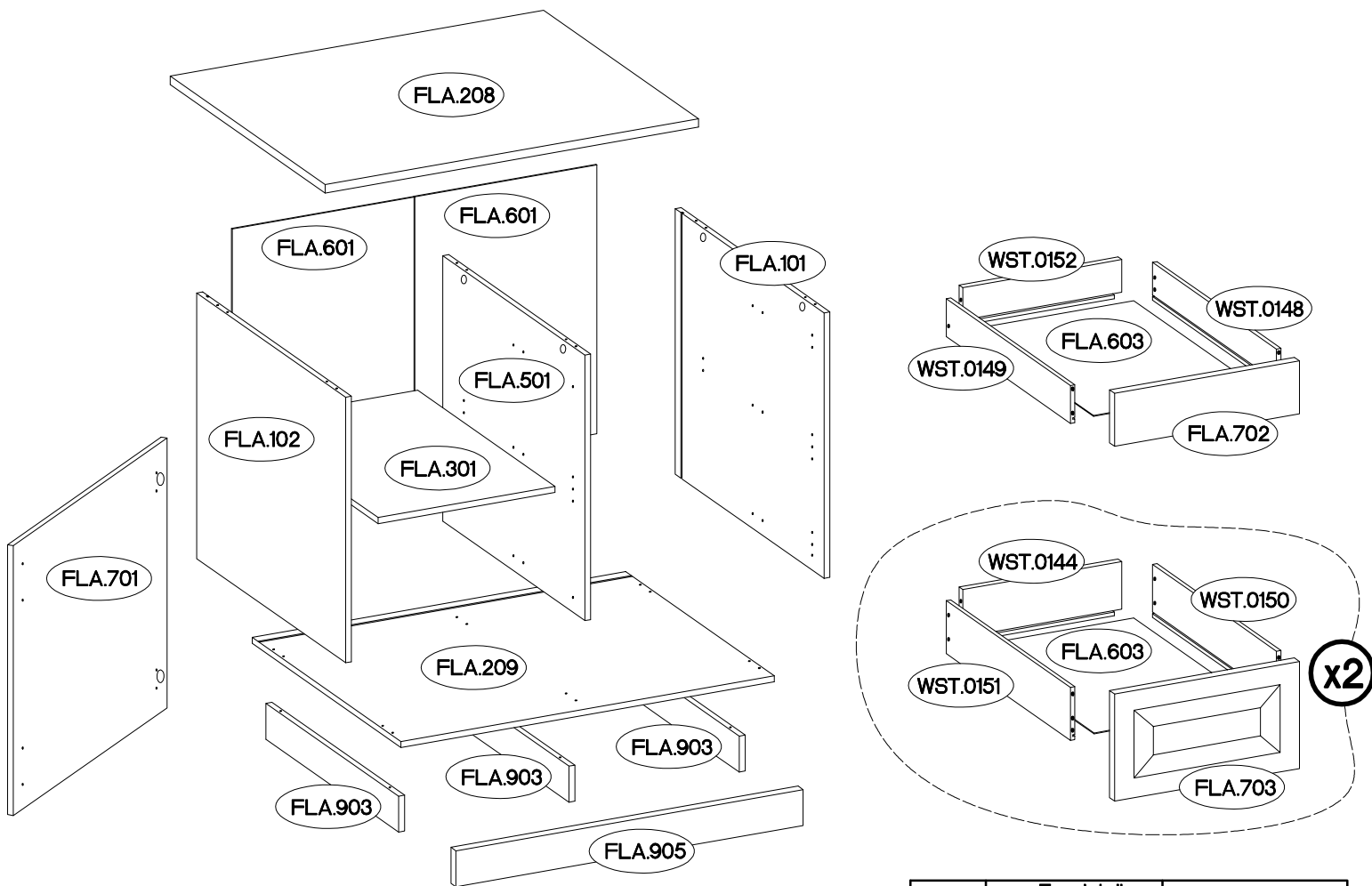
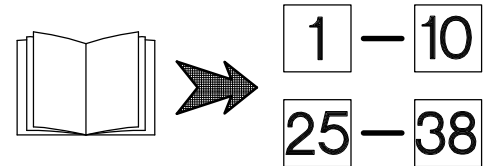
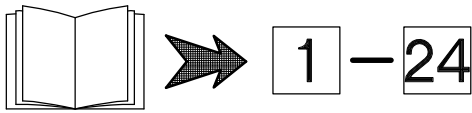
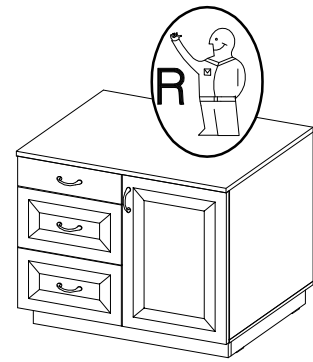
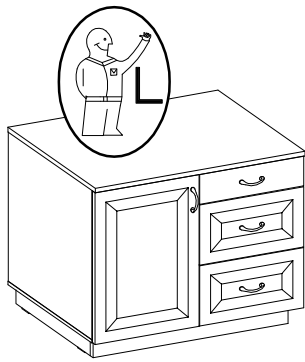
90 min

TYP 830



 A 30	 B 6	 B2 10	 C 6	 C5 6	 D2 12	 E 6	 E1 4	 F4 1	 F22 6	 HG 2
 L=400mm I9 3	 J3 4	 J14 9	 L 14	 L2 4	 L9 1	 M2 9	 M3 9	 O 1	 O1 1	
 O7 1	 P1 10	 P5 5	 P7 4	 S 4	 T3 5	 M4x22mm U 8				

ISM-FLA-05



FLA.603




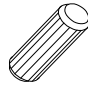

FLA.301

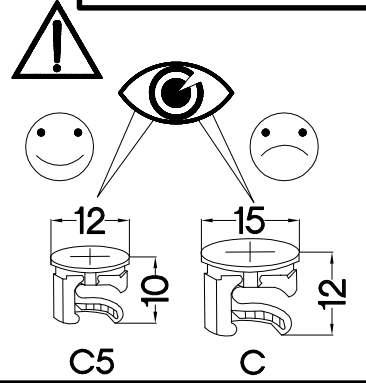
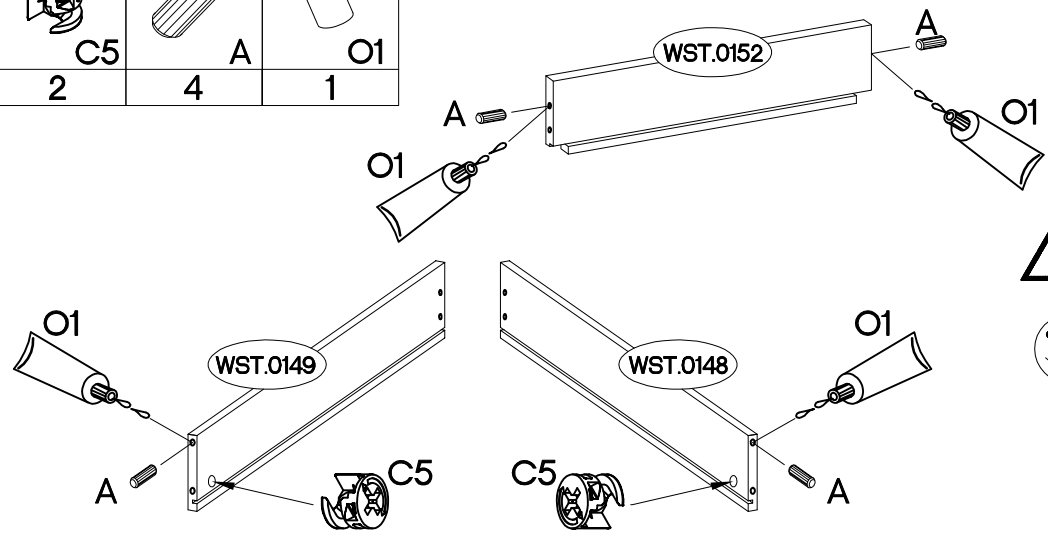
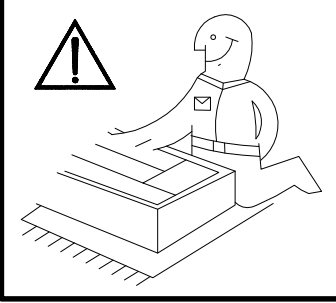
Colli	Ersatzteil Nummer	Dimension
Colli 1/2	FLA.101	702x480x16
	FLA.102	702x480x16
	FLA.208	1002x500x22
	FLA.209	1002x480x16
	FLA.301	475x443x16
	FLA.501	702x458x16
	FLA.601 x2	711x488x2.5
	FLA.603 x3	396x437x2.5
	FLA.903x3	428x95x16
	FLA.905	932x95x16

Colli	Ersatzteil Nummer	Dimension
Colli 1/2	WST.0148	400x100x12
	WST.0149	400x100x12
	WST.0150 x2	400x140x12
	WST.0151 x2	400x140x12
	WST.0152	427x100x12
	WST.0144 x2	427x140x12



Colli	Ersatzteil Nummer	Dimension
Colli 2/2	FLA.701	713x496x16
	FLA.702	140x496x16
	FLA.703 x2	283x496x16

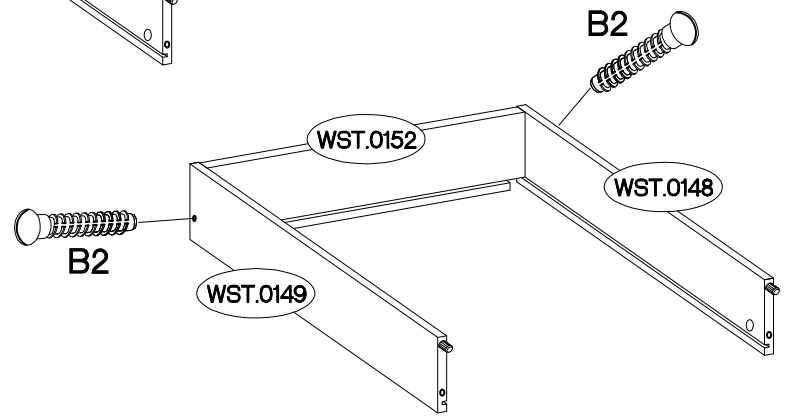
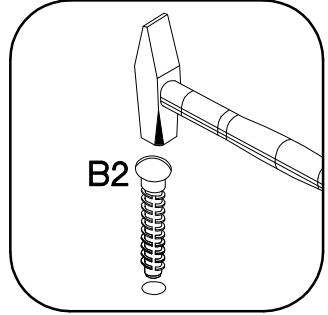
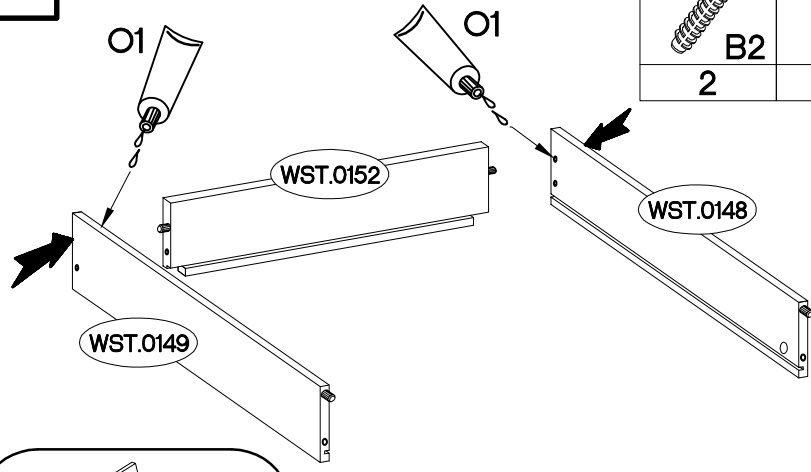
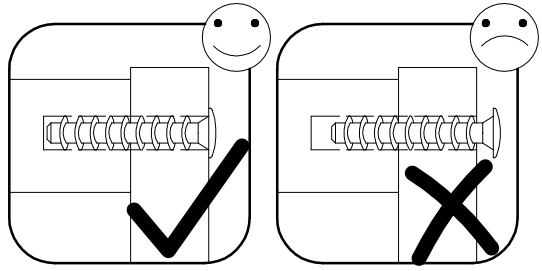
1

#2/10mm  C5 2	+8x30mm  A 4	 O1 1
--	---	---




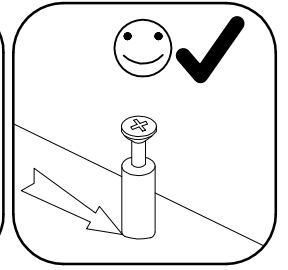
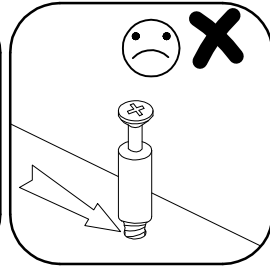
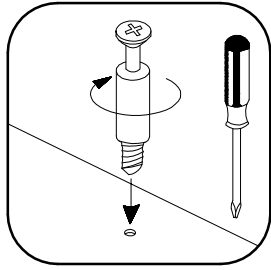
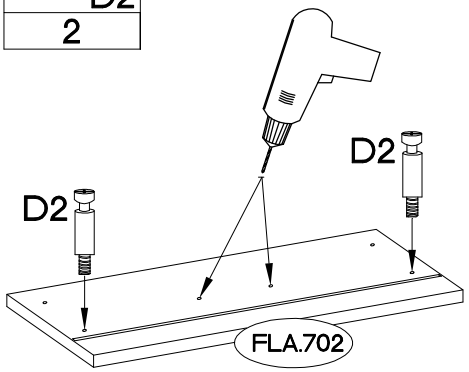
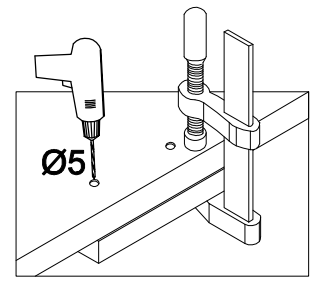
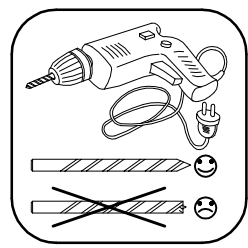
2

+6x42mm  B2 2	 O1 1
---	--

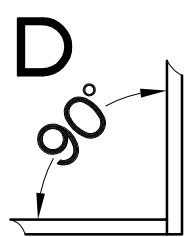
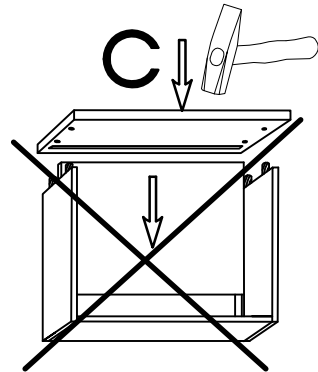
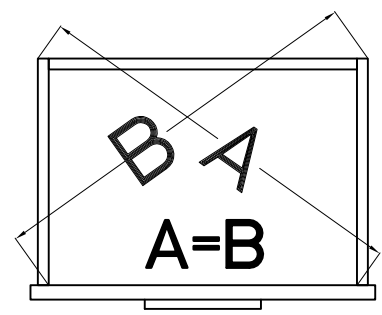
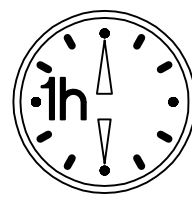
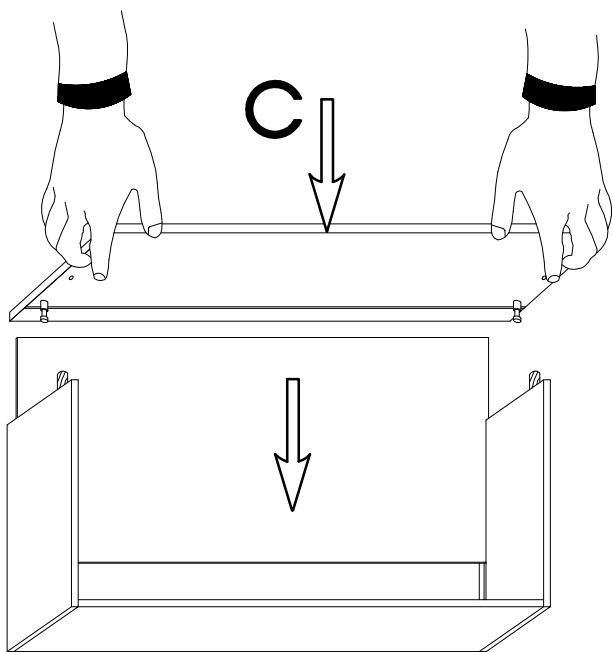
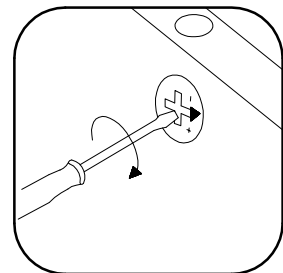
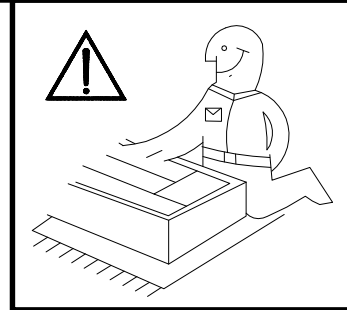
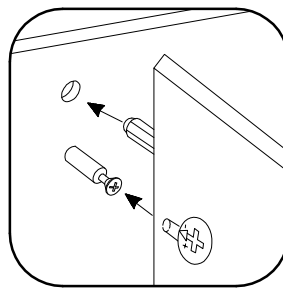
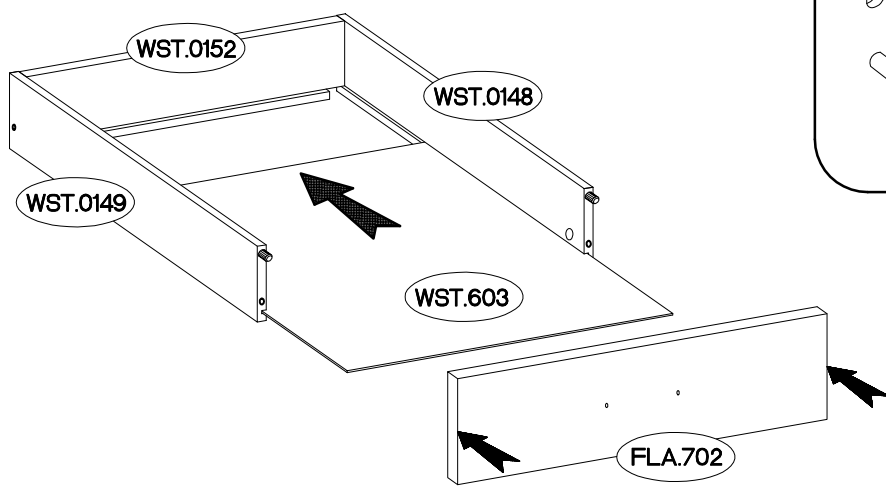


3

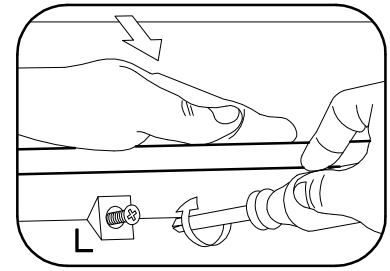
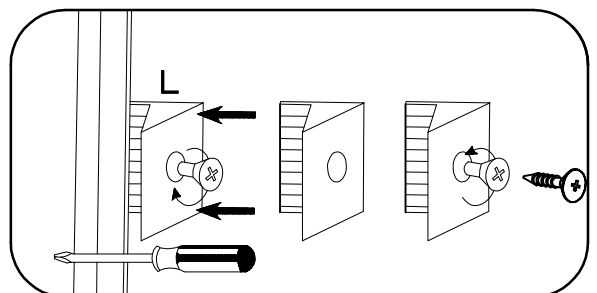
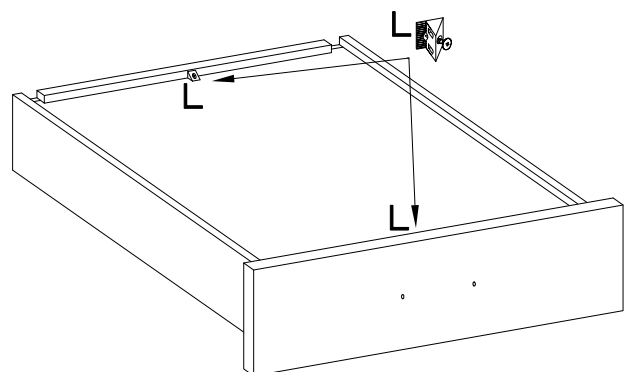
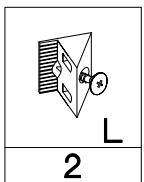
L=20mm  D2 2
--




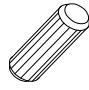

4



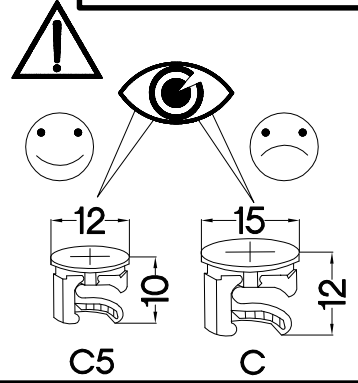
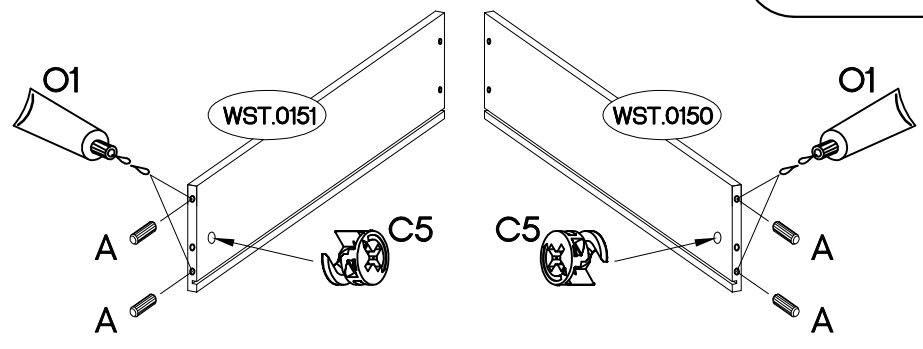
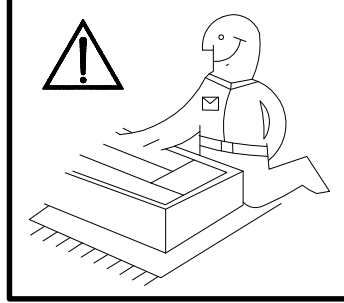
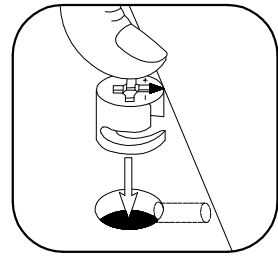
5




6

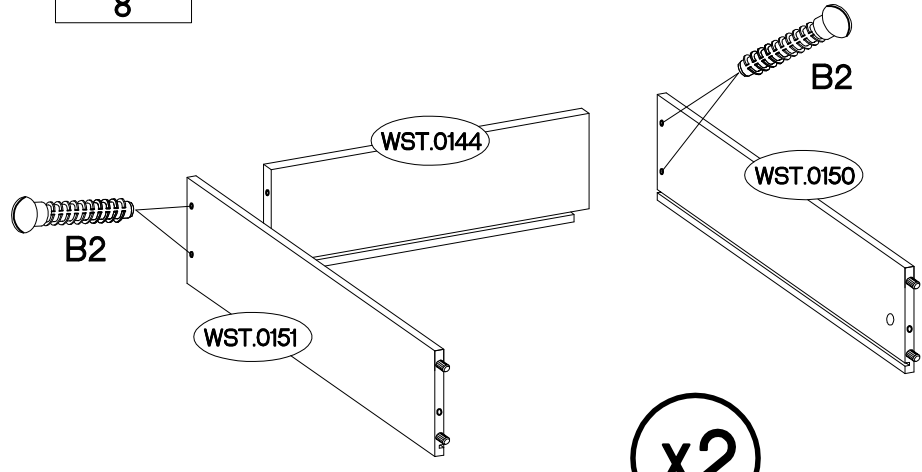
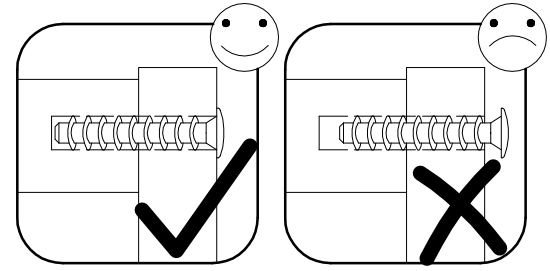
 C5 4	 A 8	 O1 1
--	---	--

x2

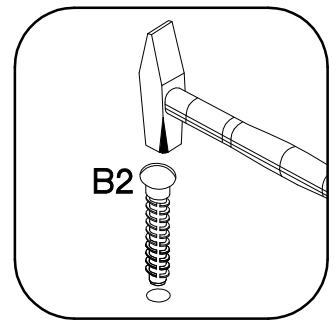


7

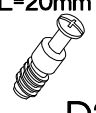
 B2 8



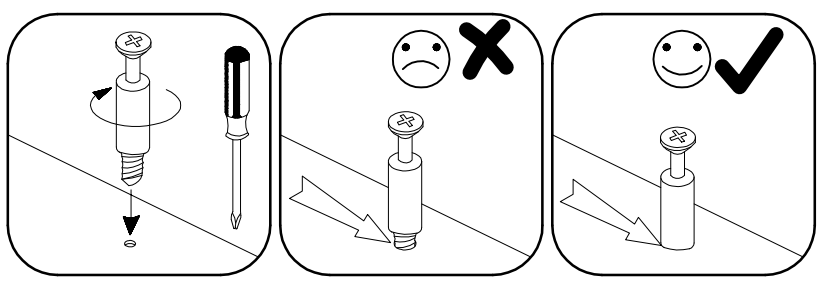
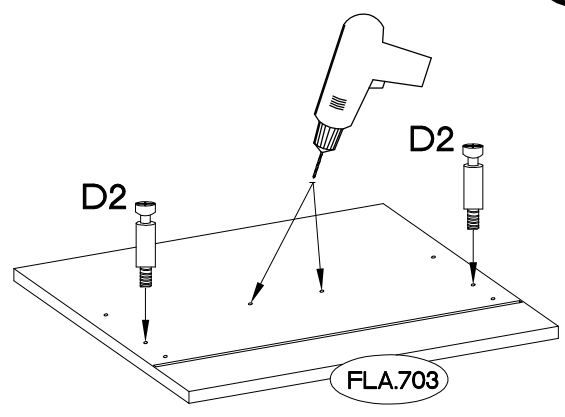
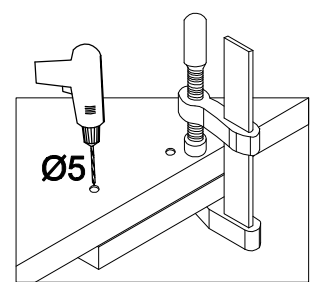
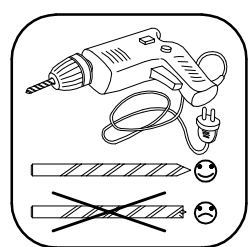
x2



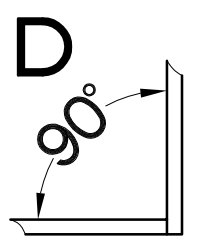
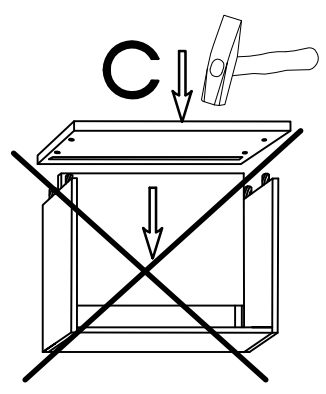
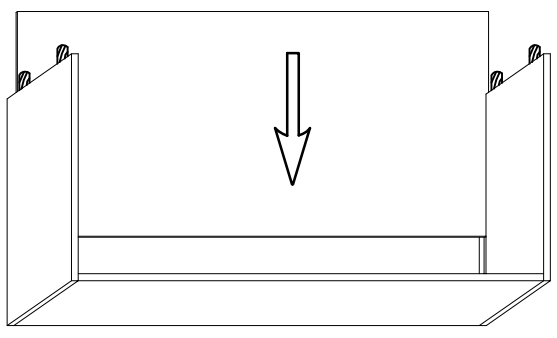
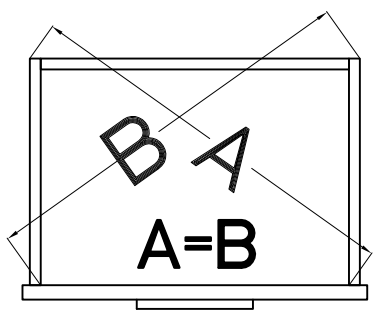
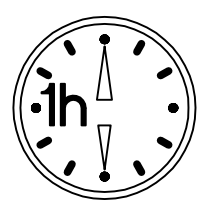
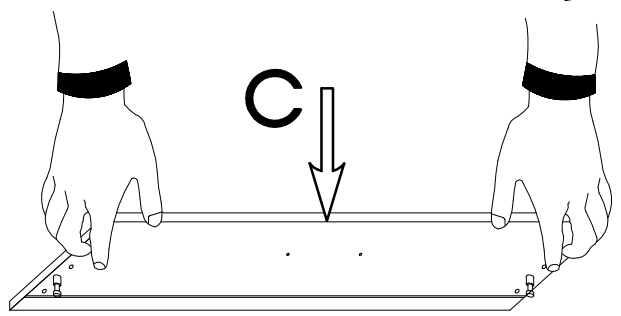
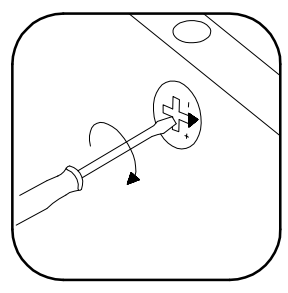
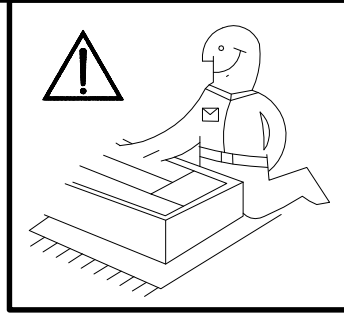
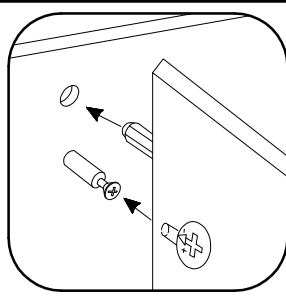
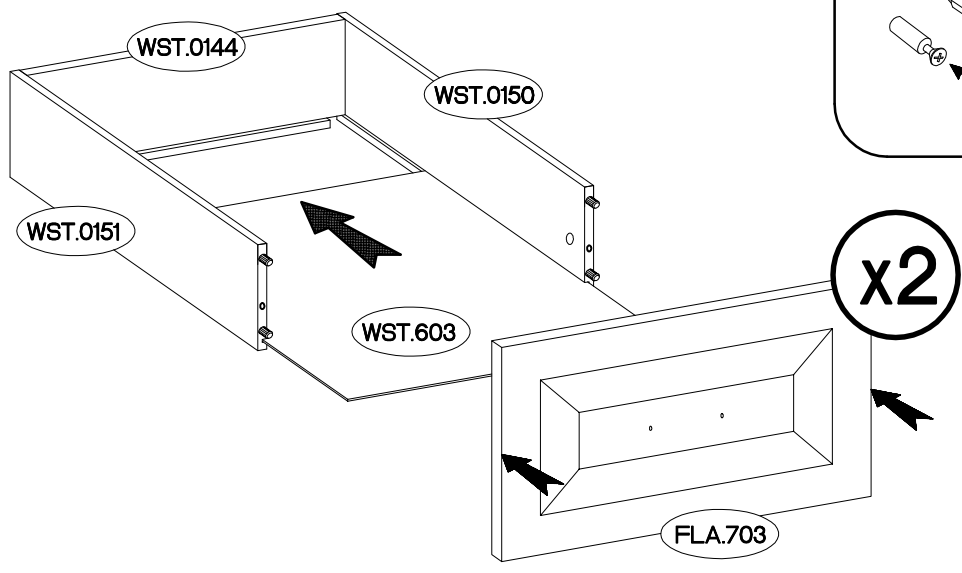
8

 D2 4

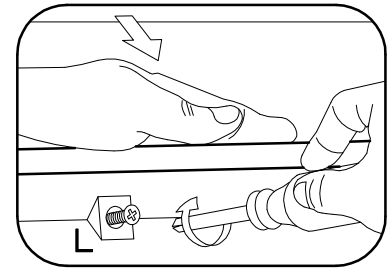
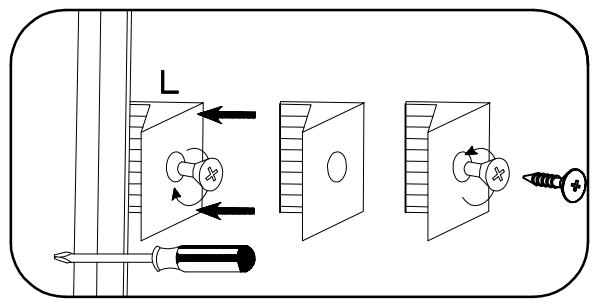
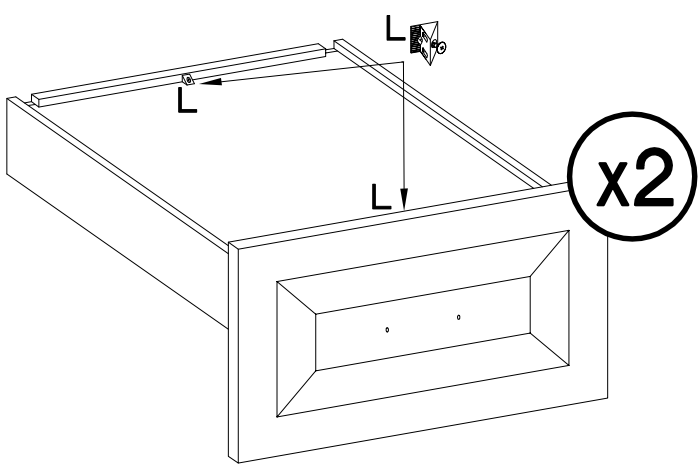
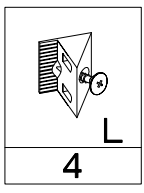
x2

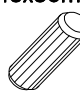

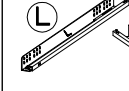


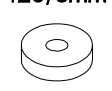


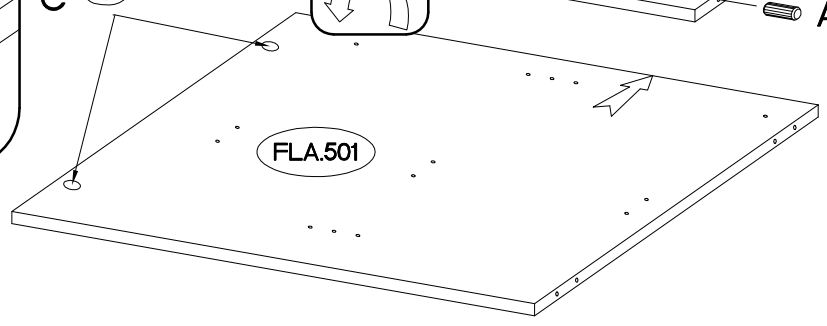
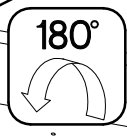
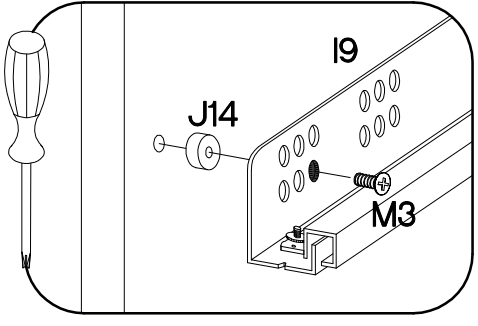
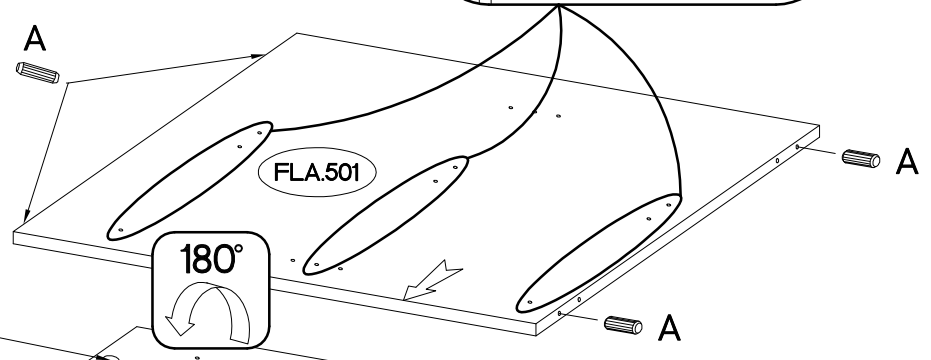
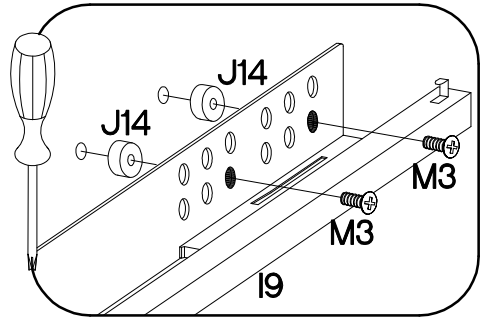
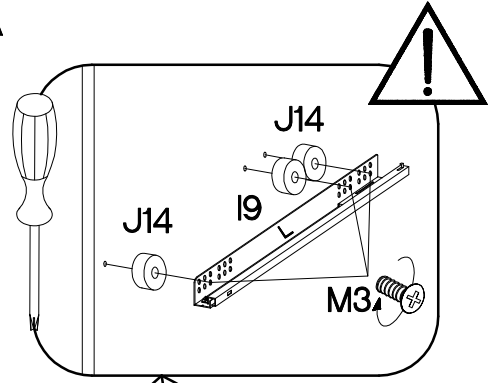
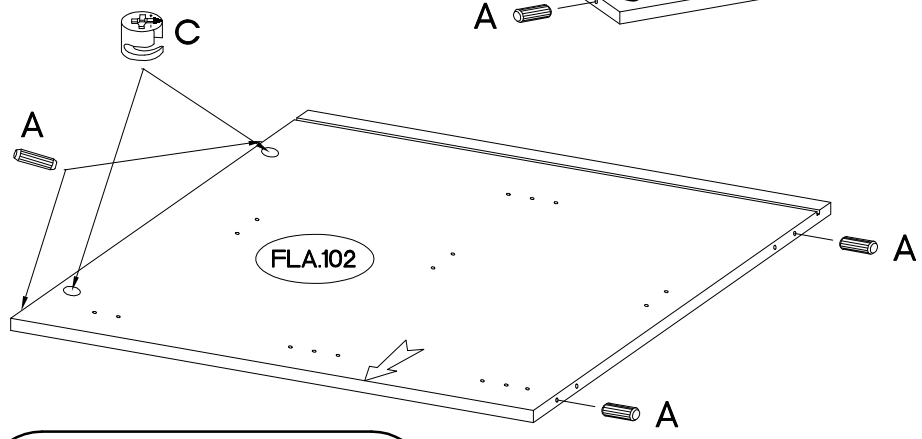
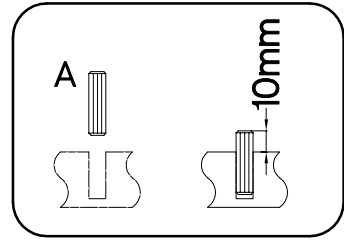
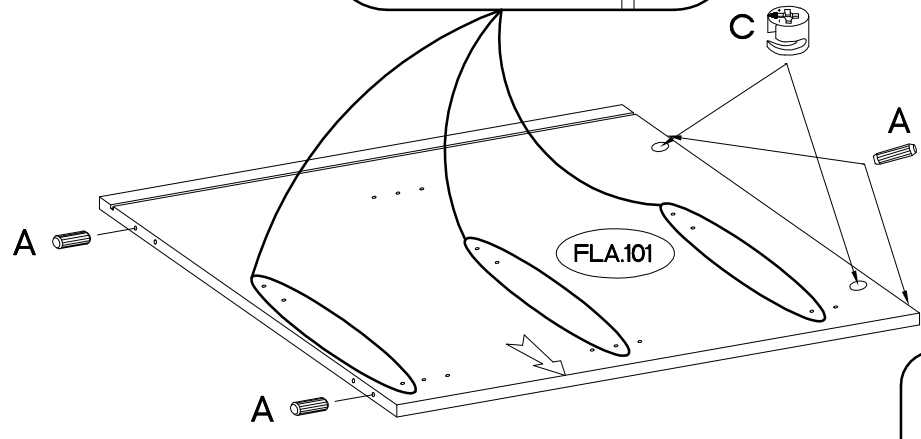
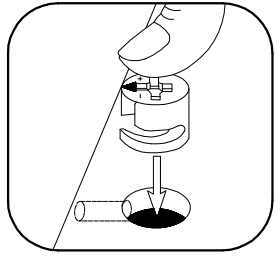
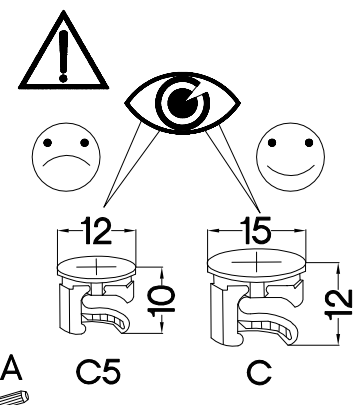
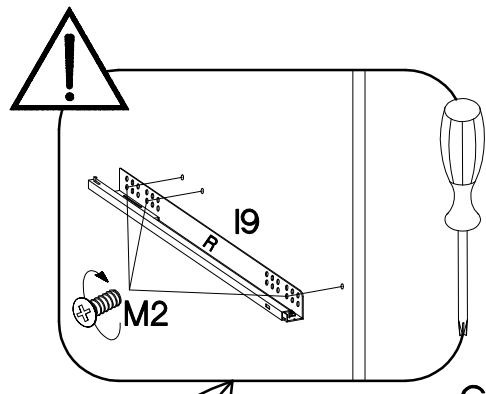
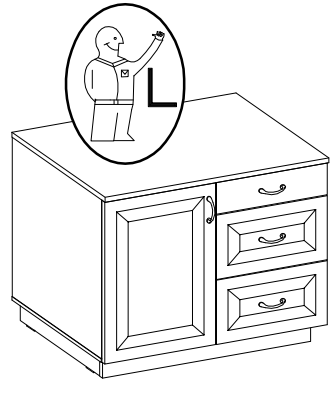
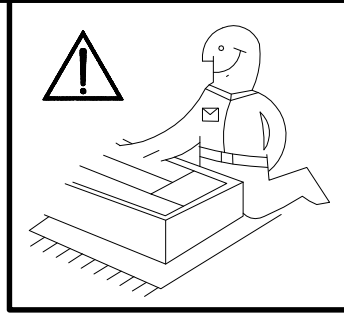
9



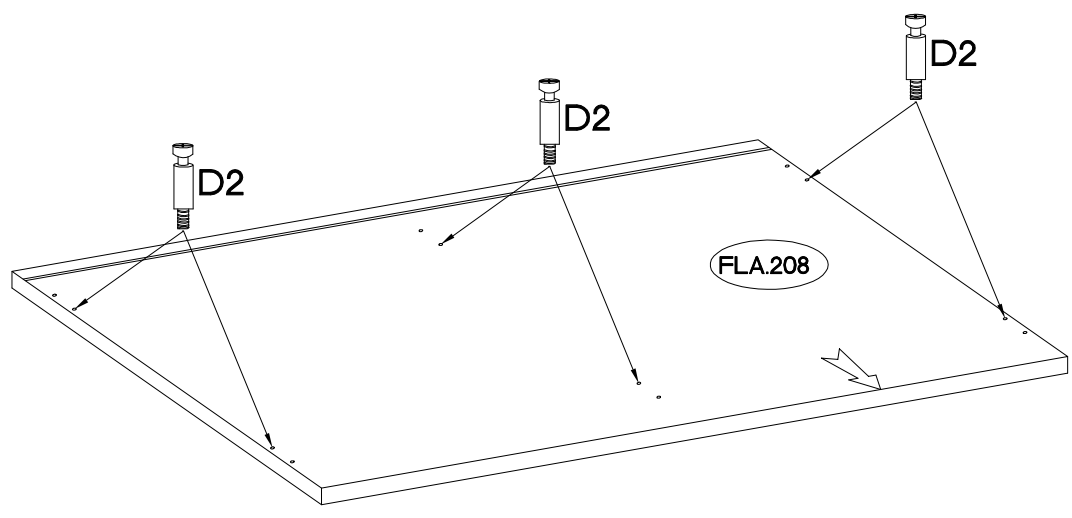
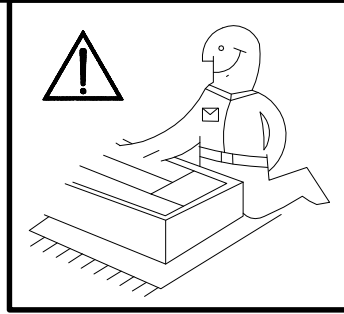
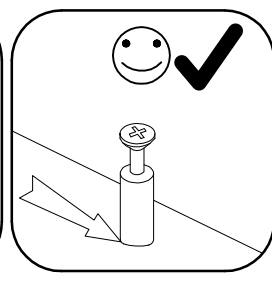
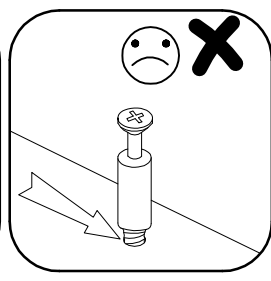
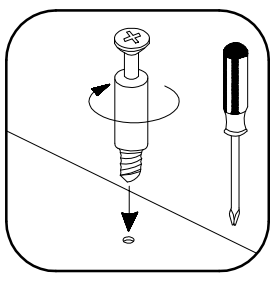
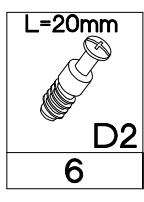
10



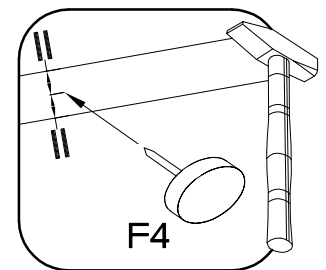
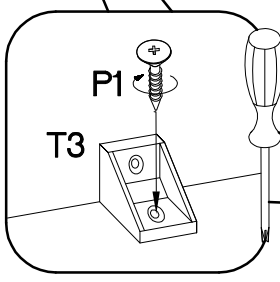
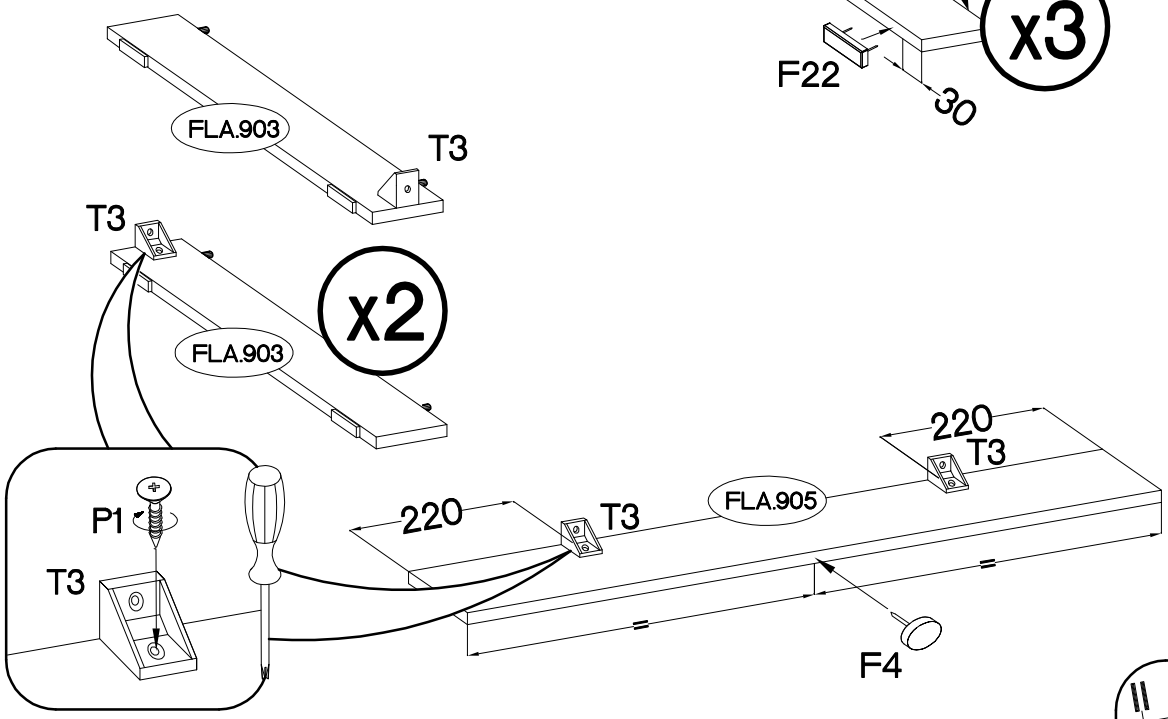
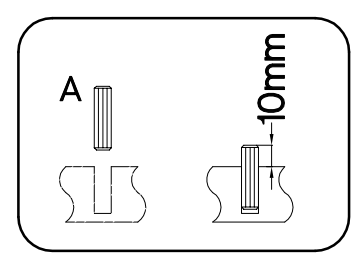
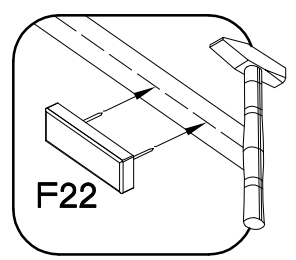
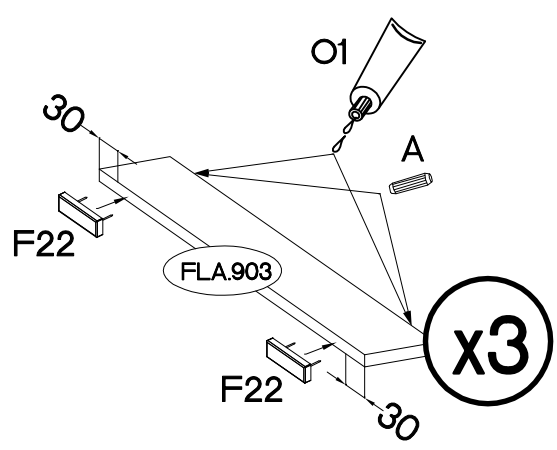
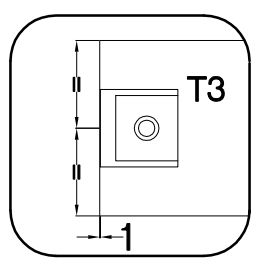
$\pm 8 \times 30 \text{mm}$  A 12	$\pm 15/12 \text{mm}$  C 6	$L=400 \text{mm}$  I9 3	$\pm 6.3 \times 13 \text{mm}$  M2 9	$\pm 6.3 \times 20 \text{mm}$  M3 9	$\pm 20/8 \text{mm}$  J14 9
--	---	--	--	--	---



12

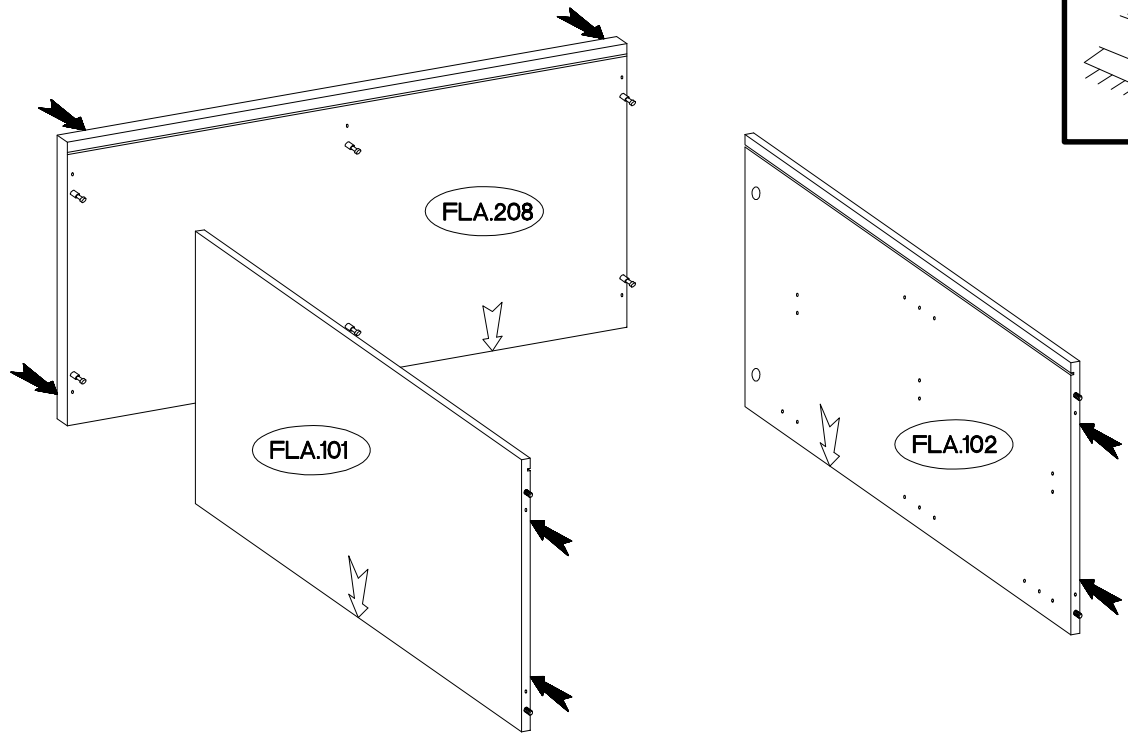
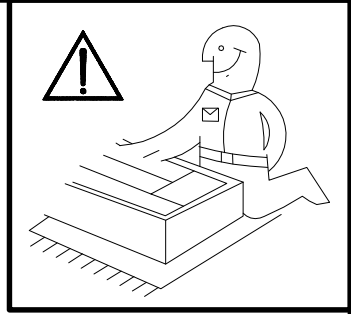


13

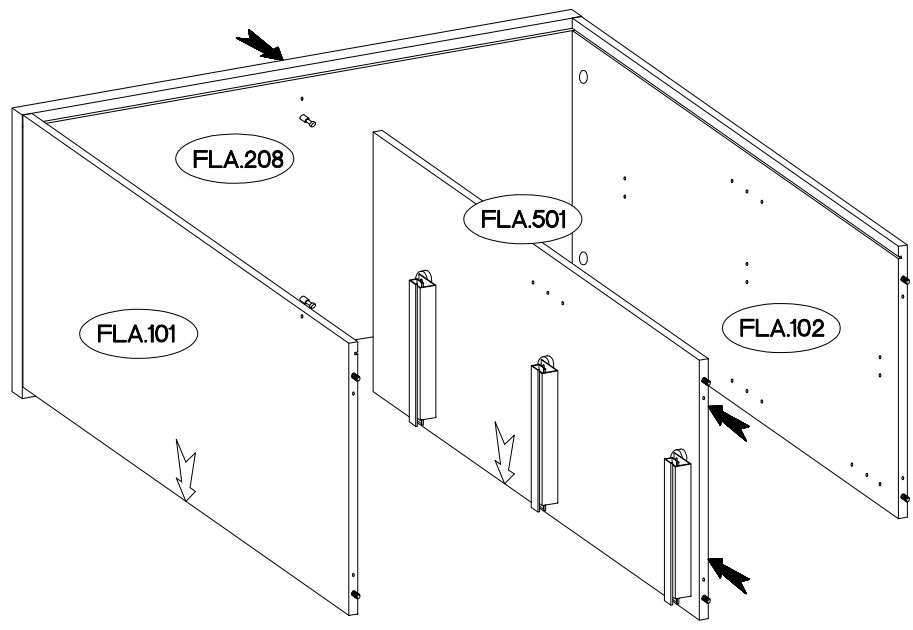
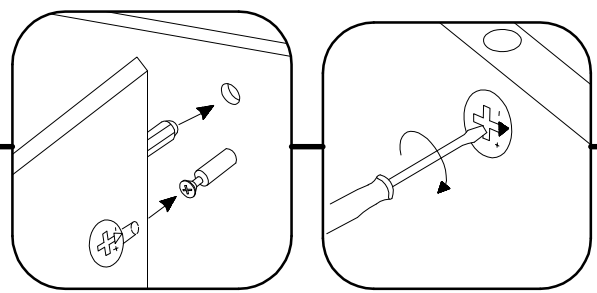


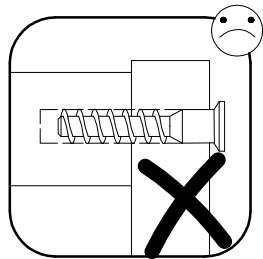
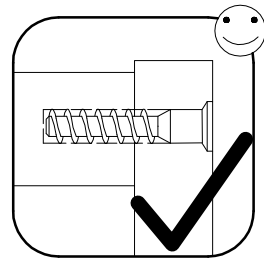
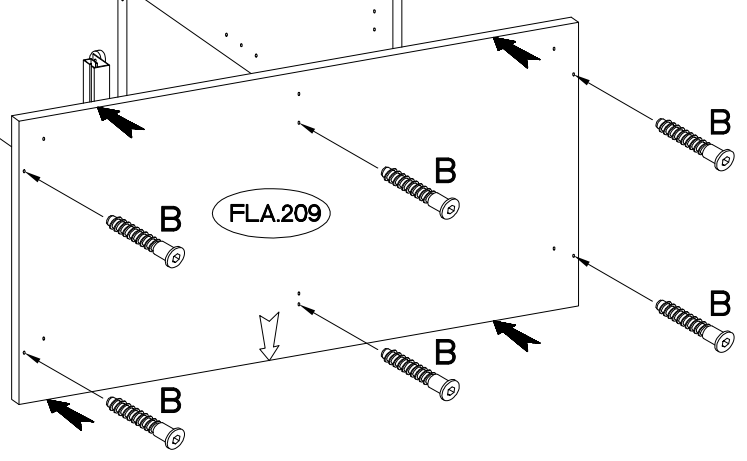
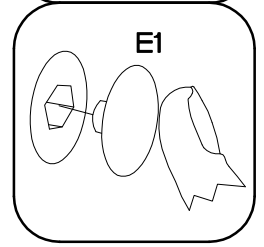
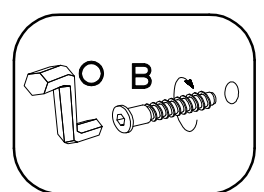
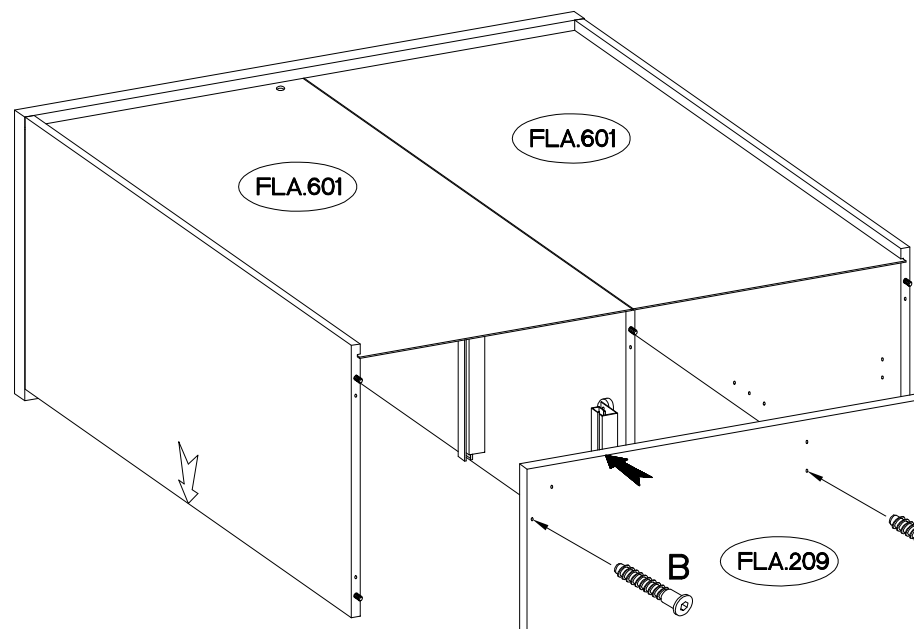
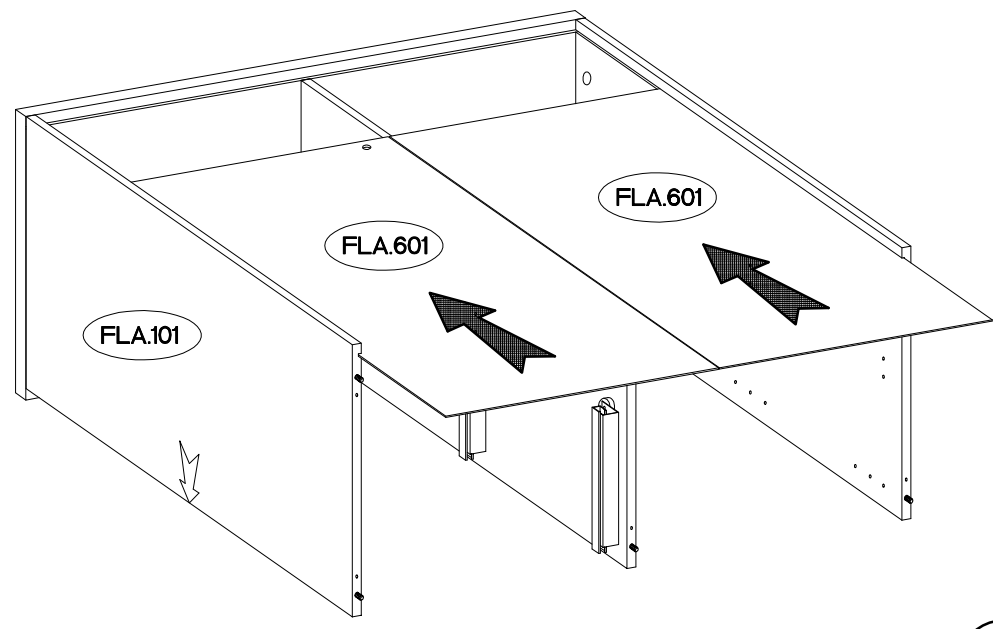
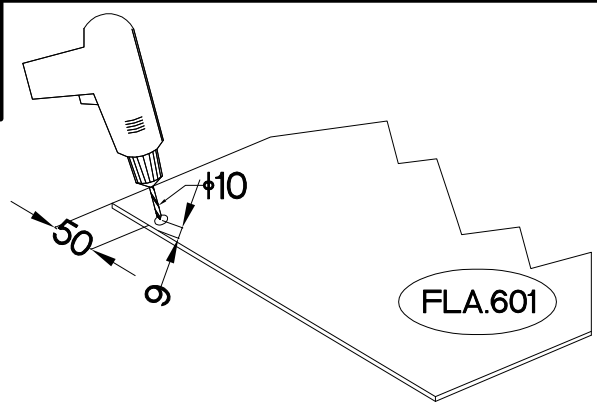
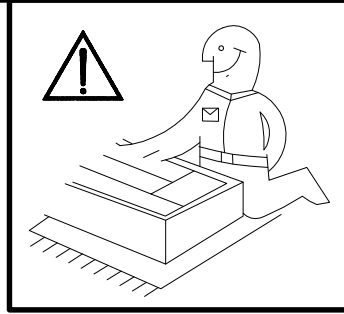
T3	P1	F22	F4	O1	A
5	5	6	1	1	6

14



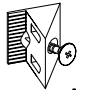

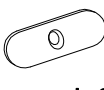
15

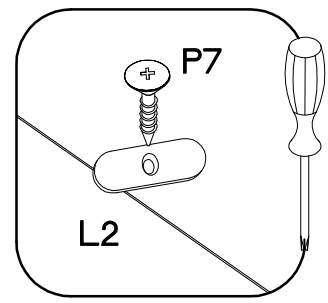
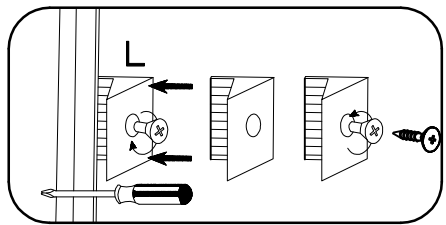
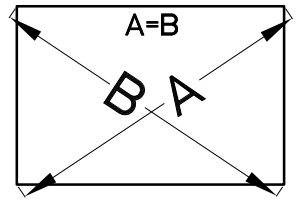
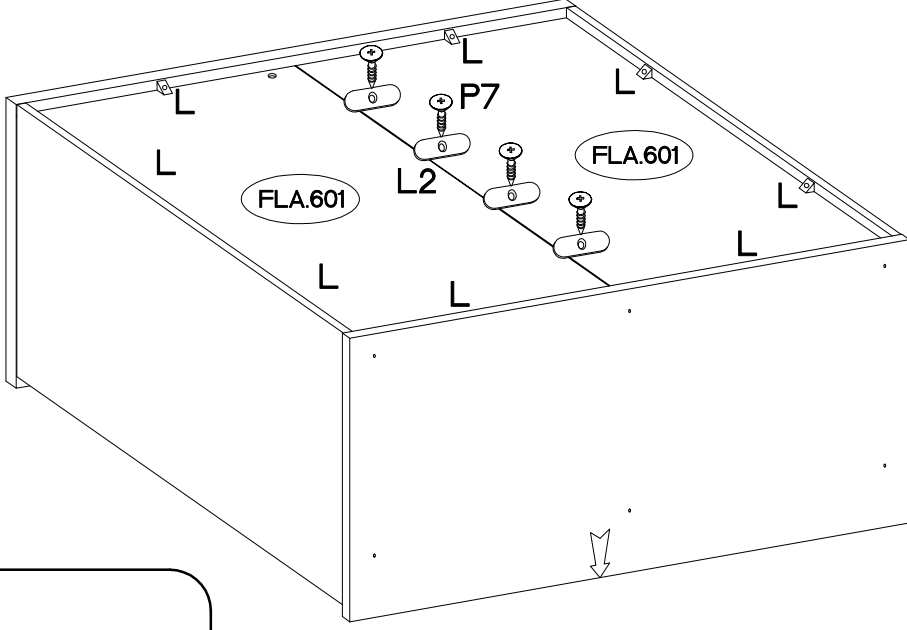
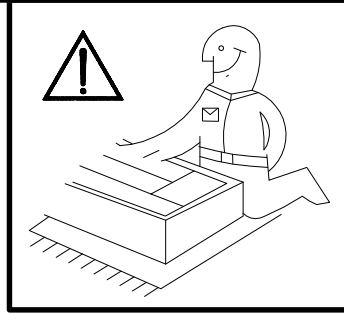





6,4 x 50mm		
6	1	4

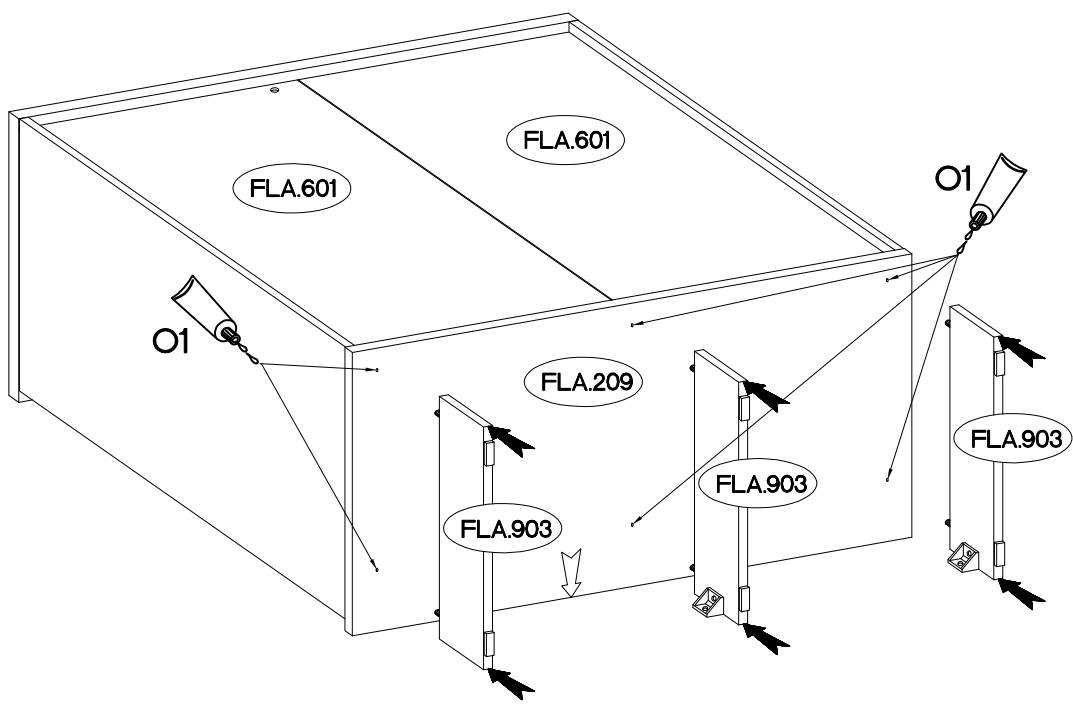
17


	$\varnothing 3.0 \times 20 \text{mm}$ 	
L	P7	L2
8	4	4

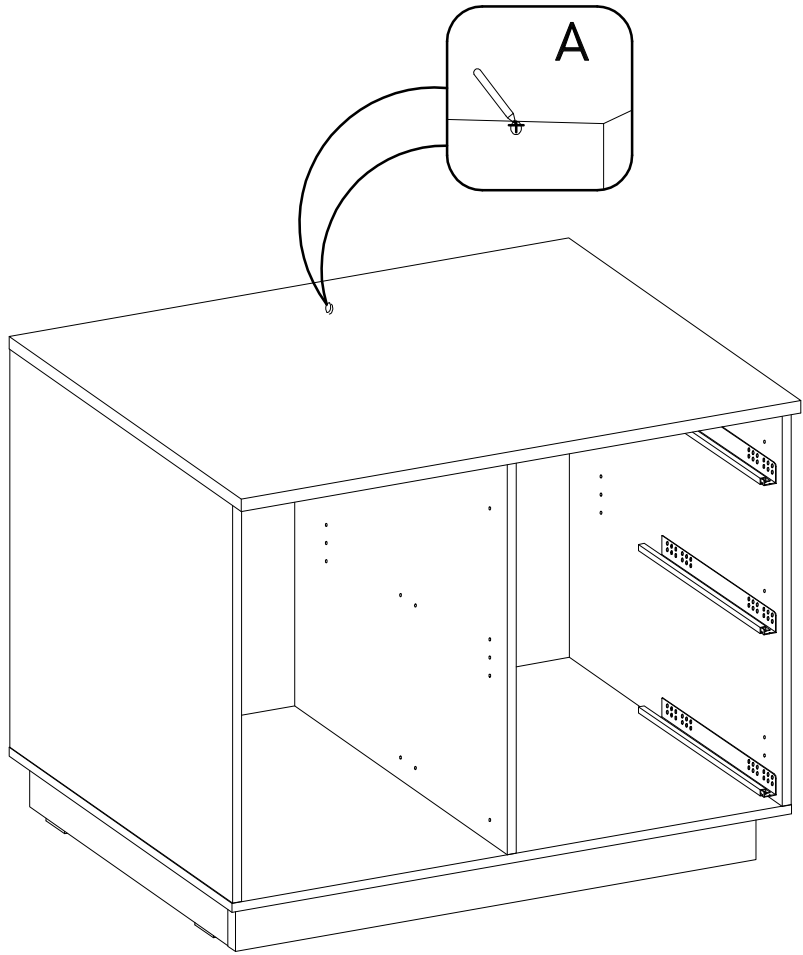
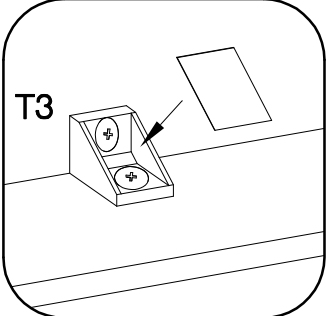
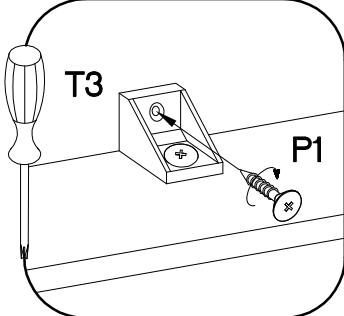
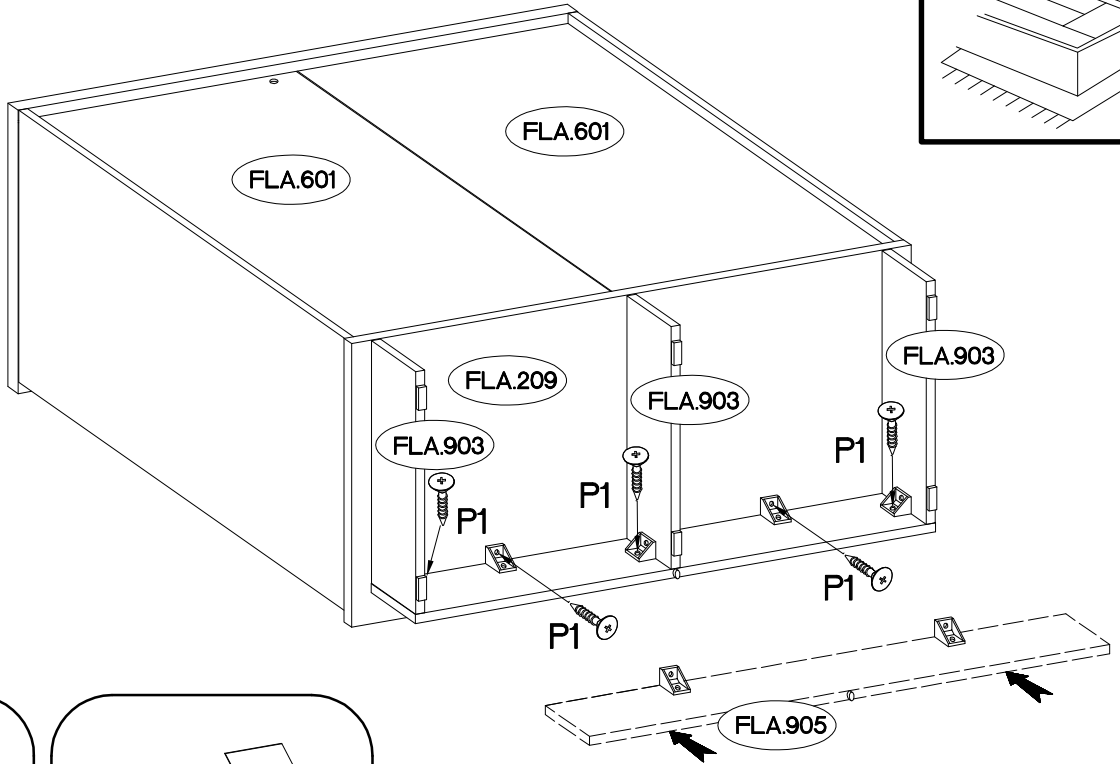
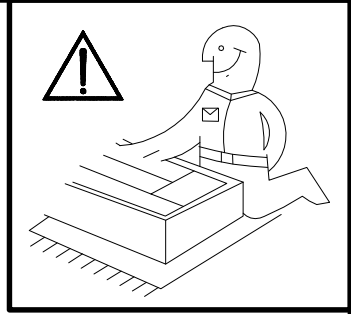


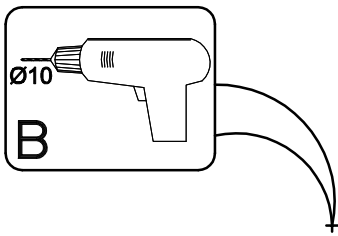
18





O1
1

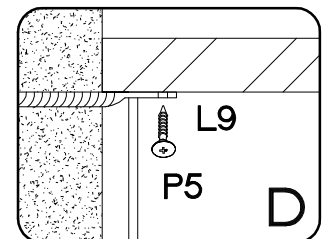
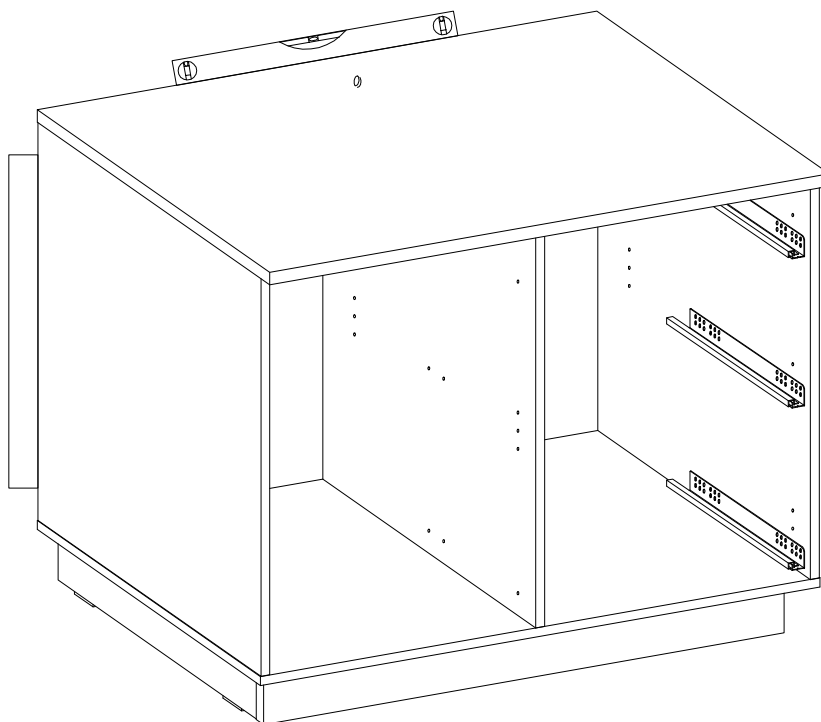
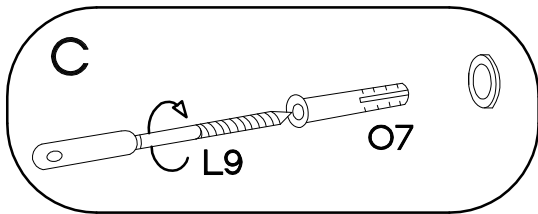
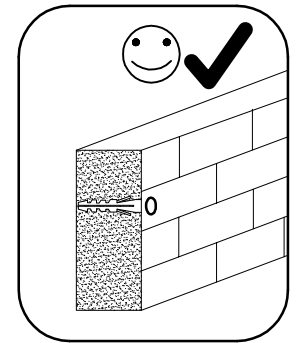
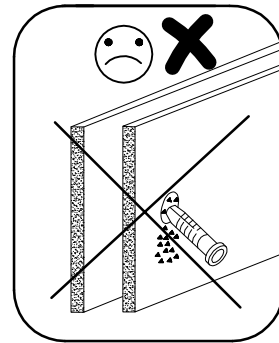
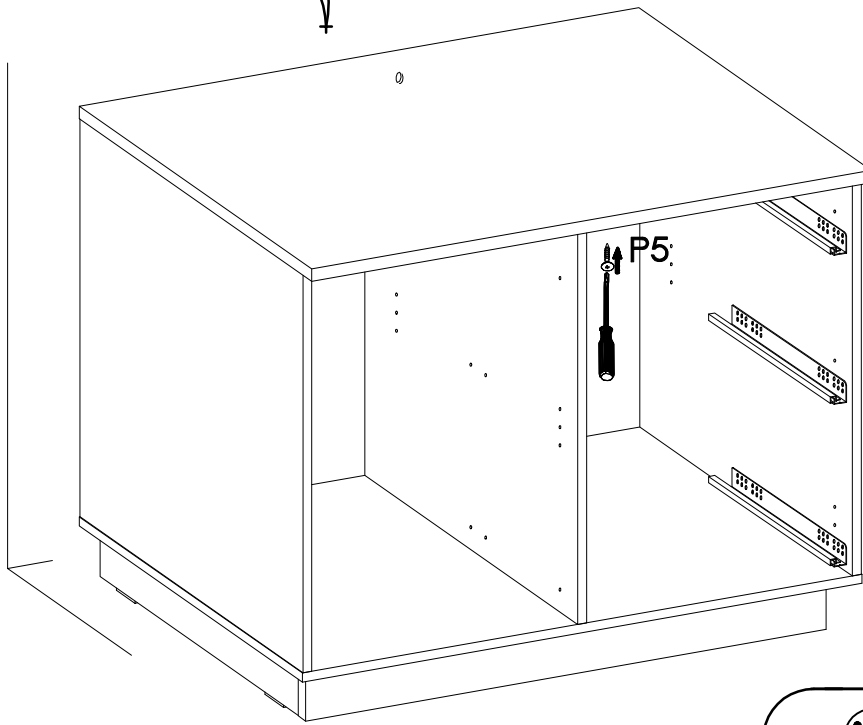


4.0x16mm

 P1
 5

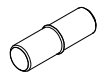



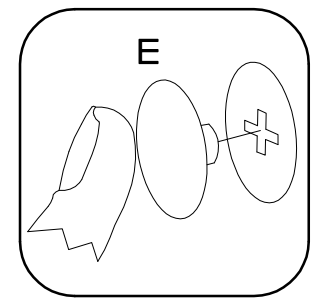
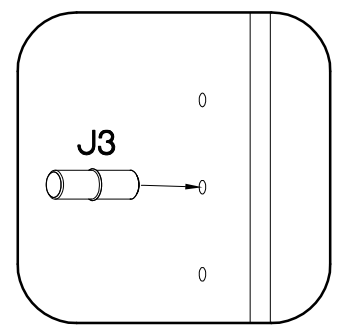
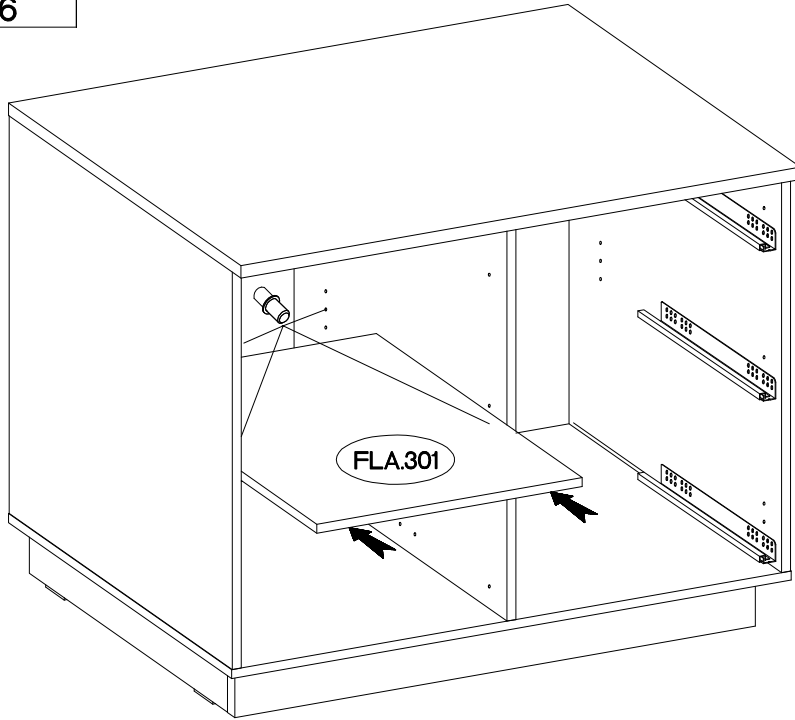


10x50mm  O7 1	3.5x13mm  L9 1	3.5x13mm  P5 1
--	---	---





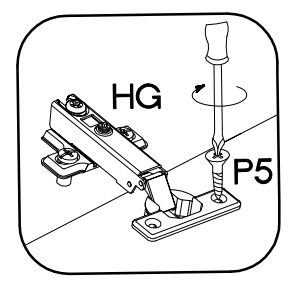
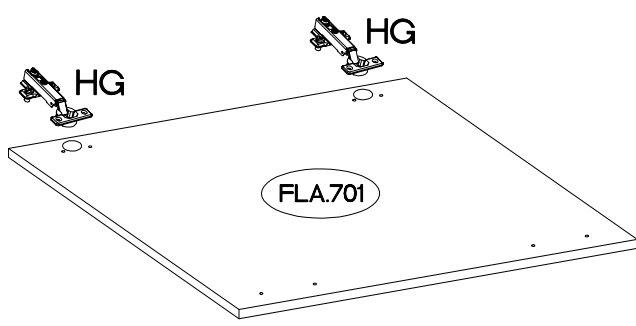
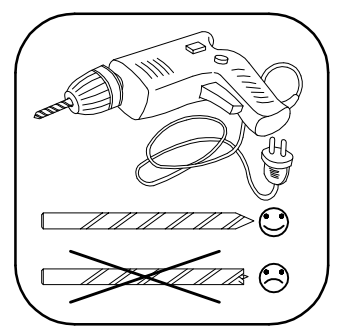
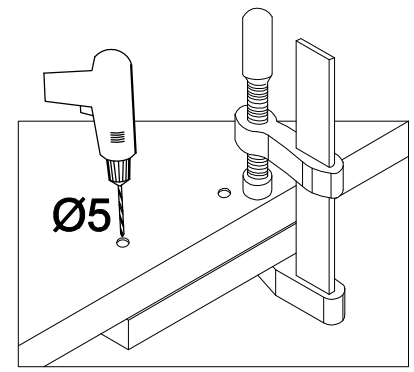
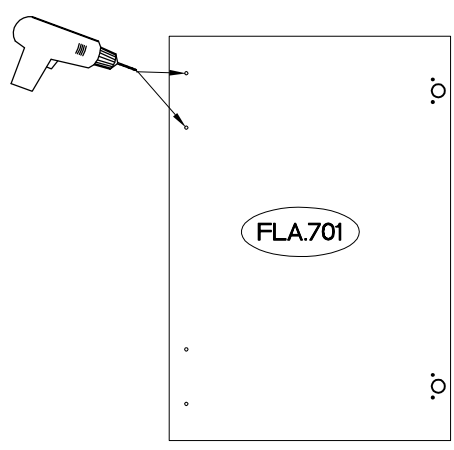
21

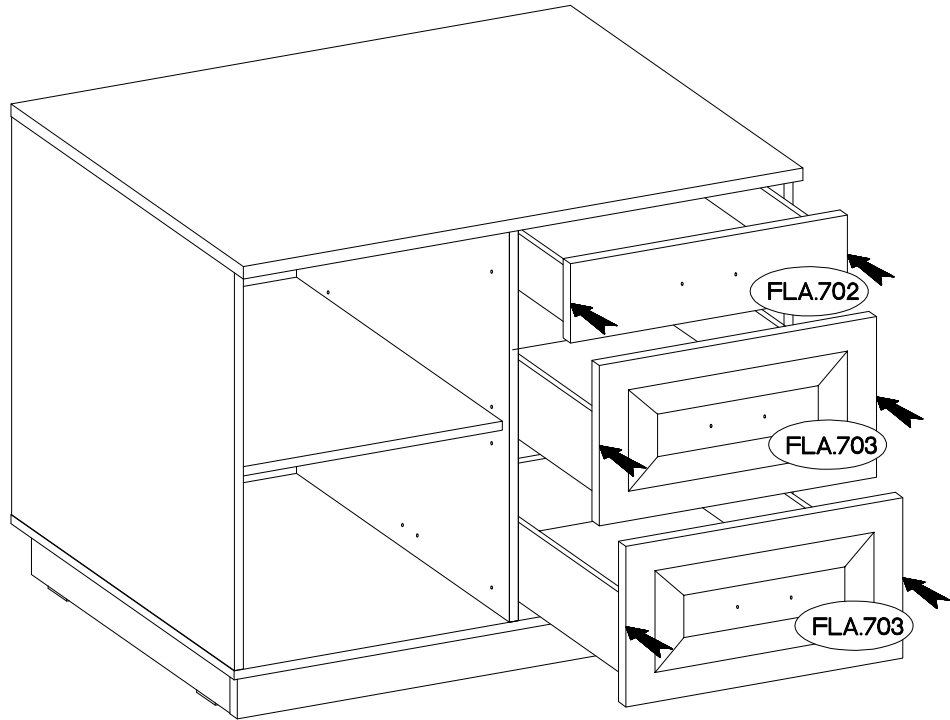
$\pm 5/16\text{mm}$  J3 4	 E 6
--	--



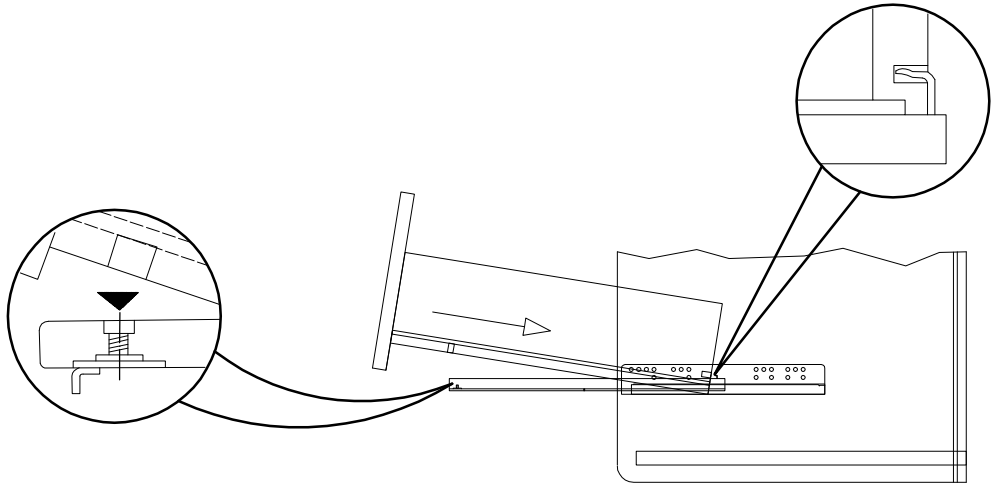
22

$\pm 35/0\text{mm}$  HG 2	$\pm 3.5 \times 13\text{mm}$  P5 4
---	--

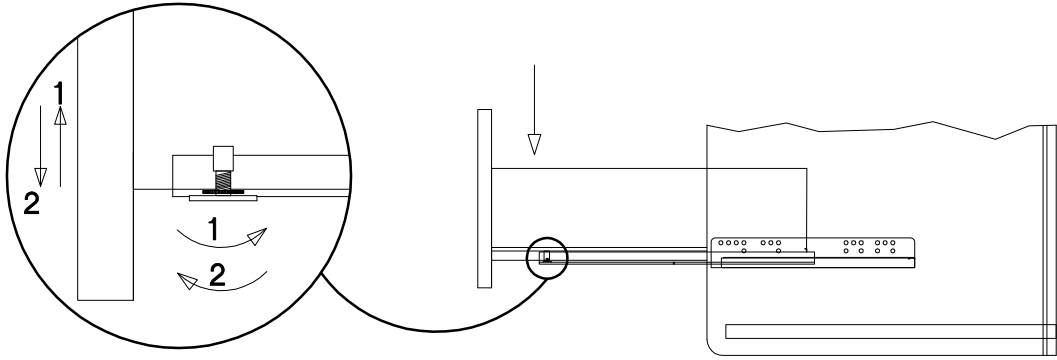




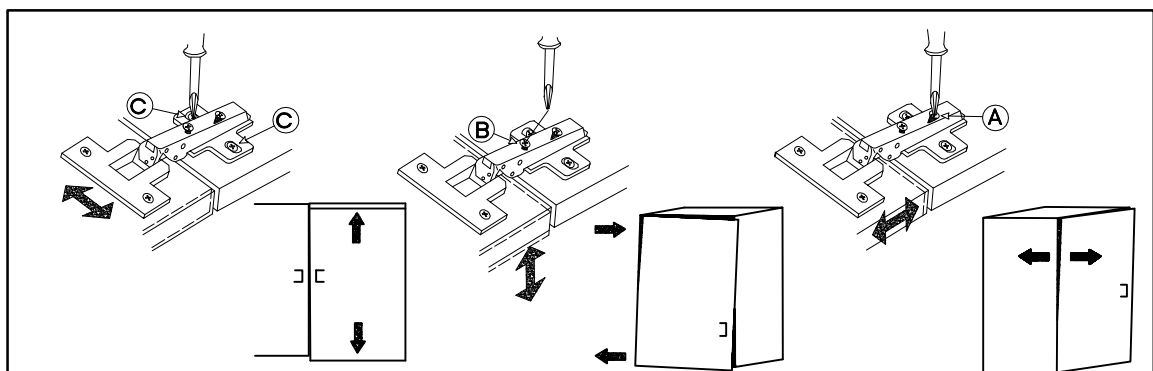
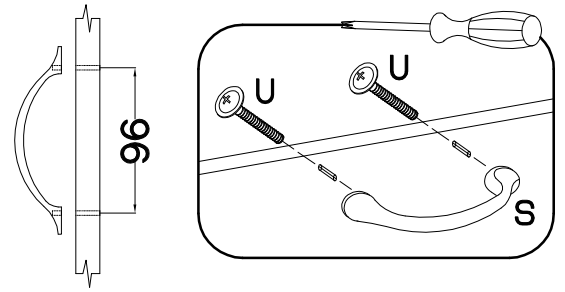
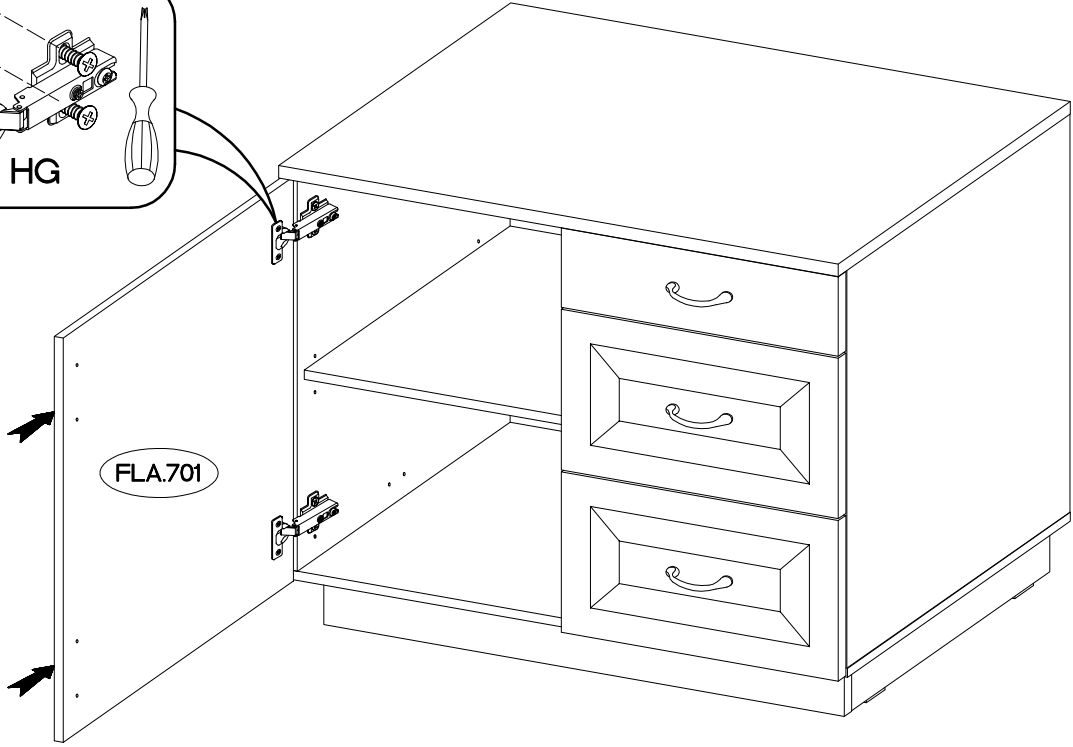
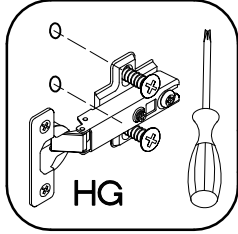
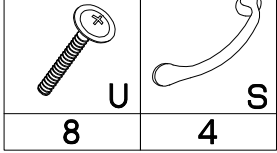
1.



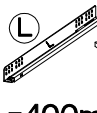
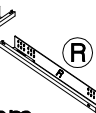


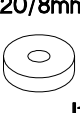


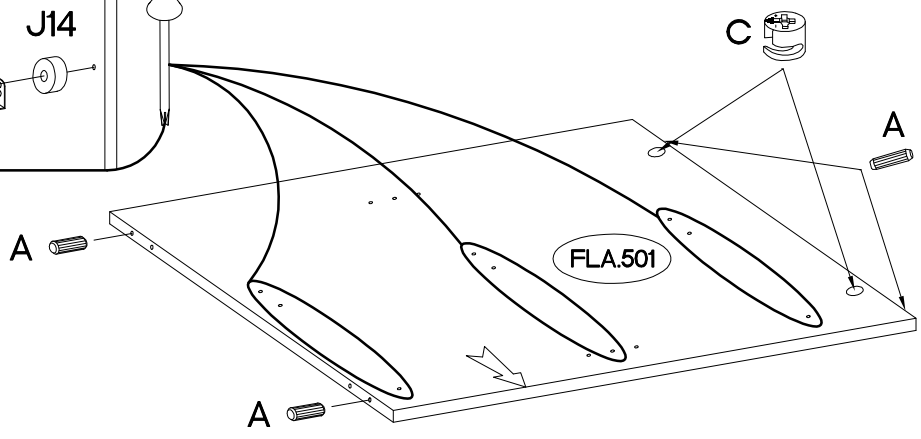
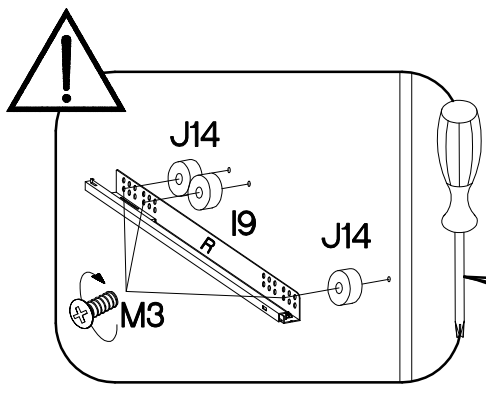
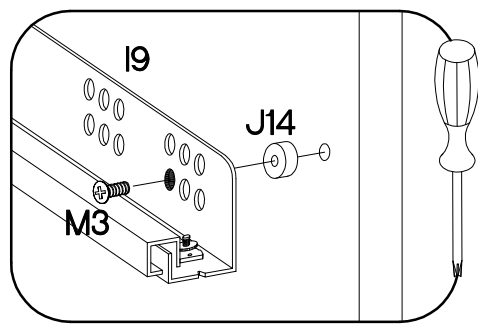
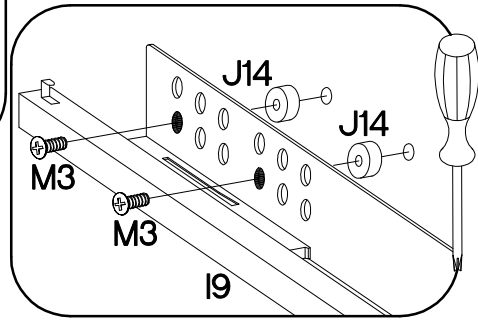
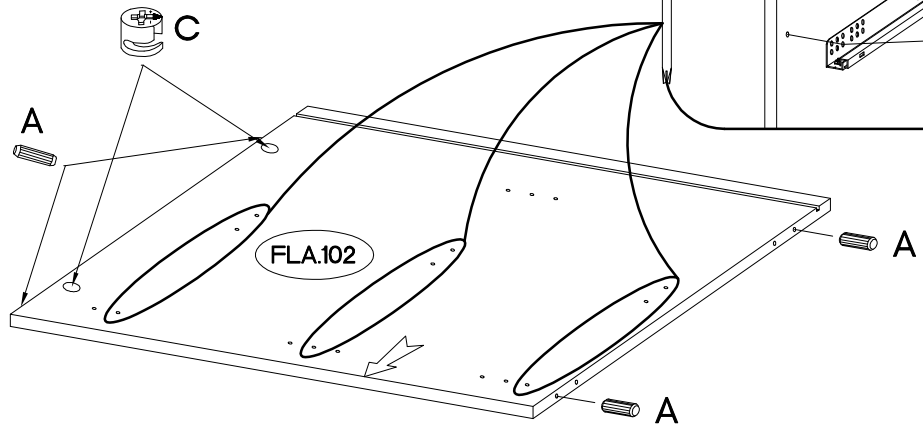
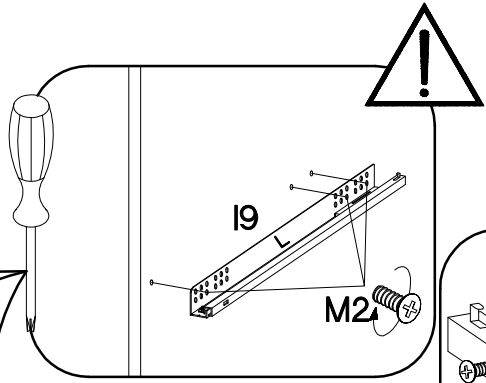
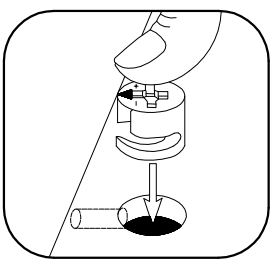
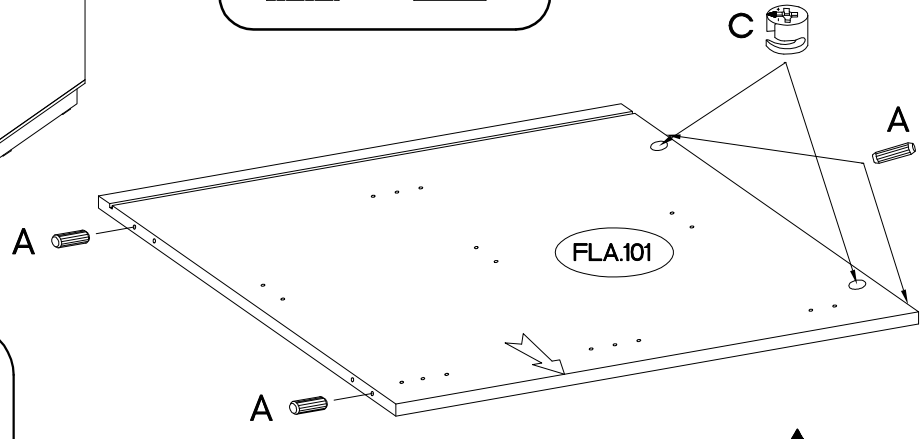
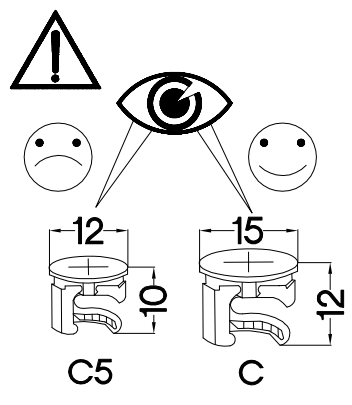
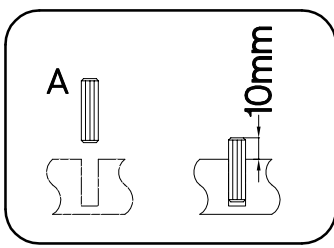
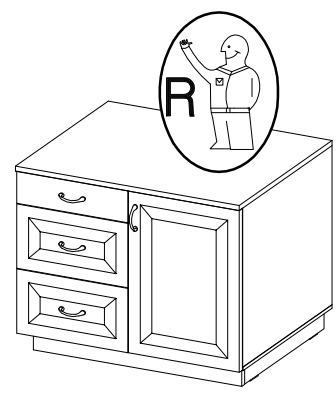
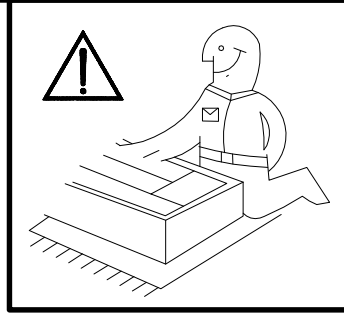
2.



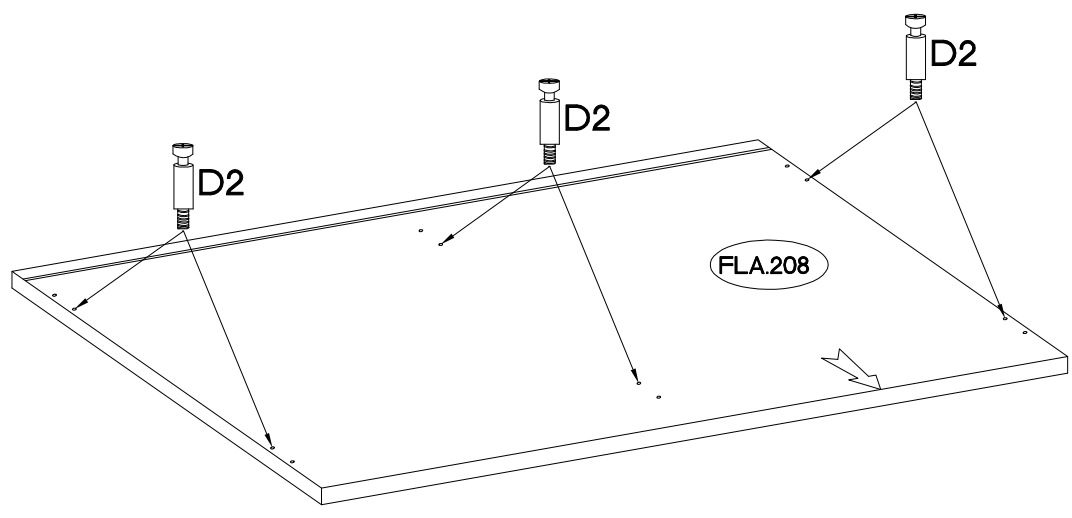
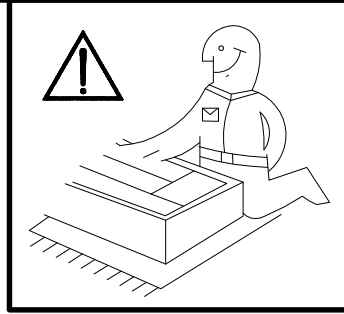
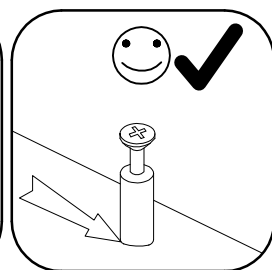
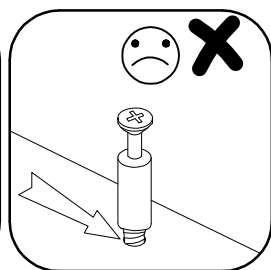
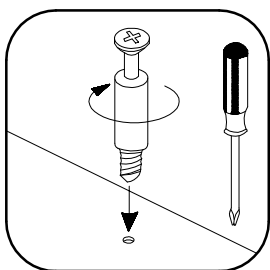
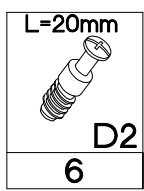
M4x22mm



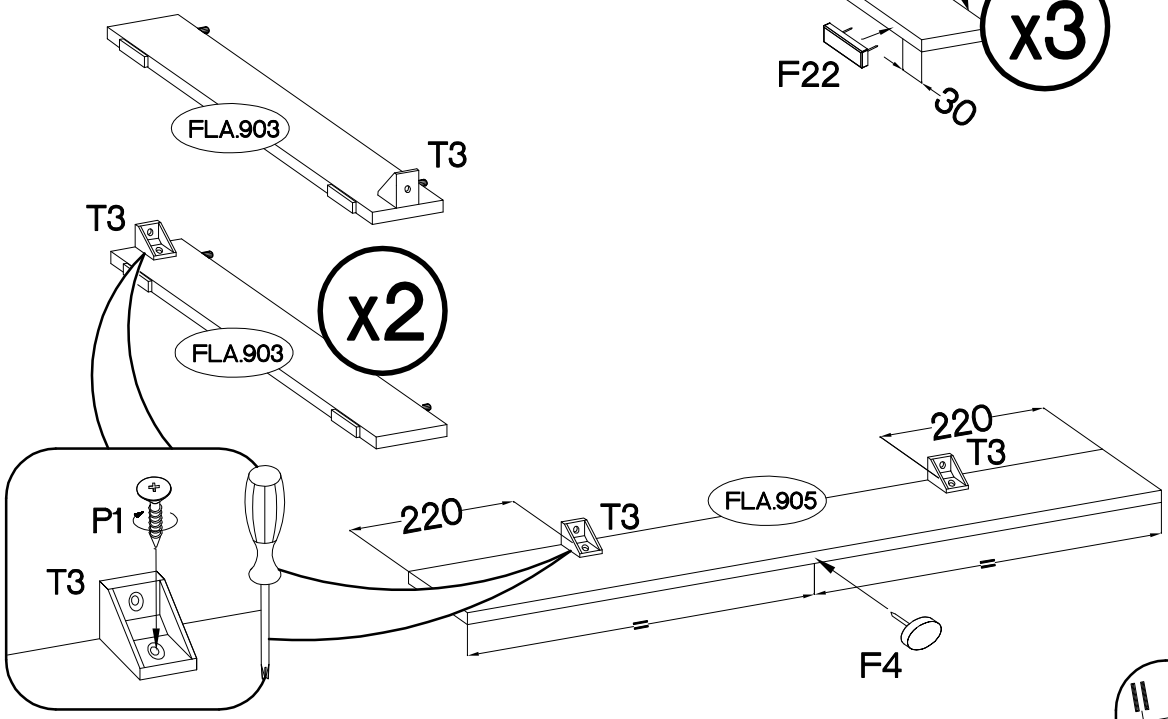
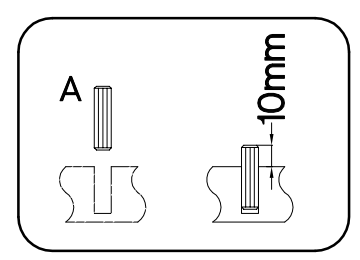
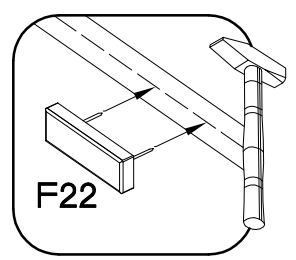
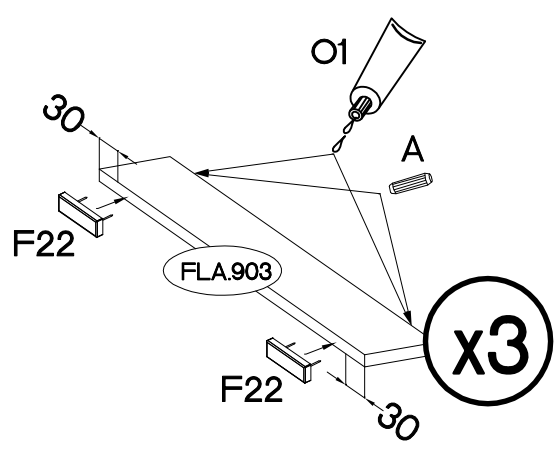
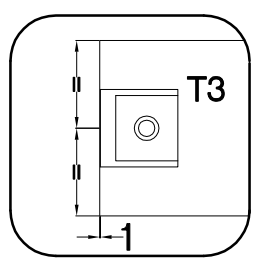
+8x30mm  A 12	+15/12mm  C 6	L=400mm  L  R I9 3	+6.3x13mm  M2 9	+6.3x20mm  M3 9	+20/8mm  J14 9
--	--	--	--	--	--



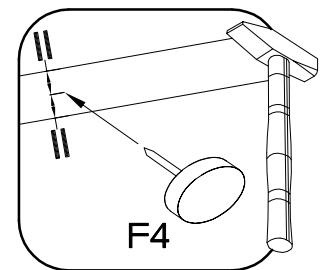
26

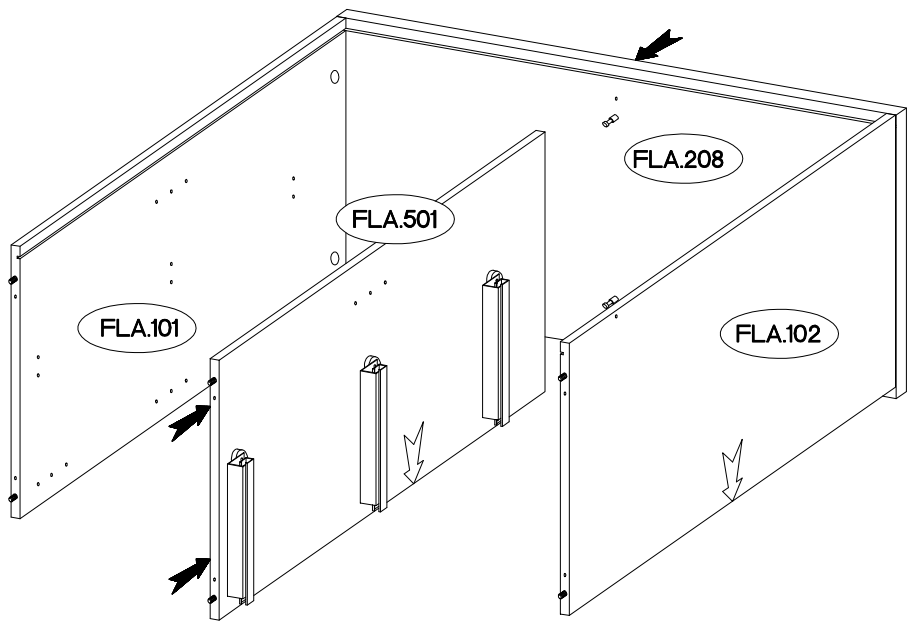
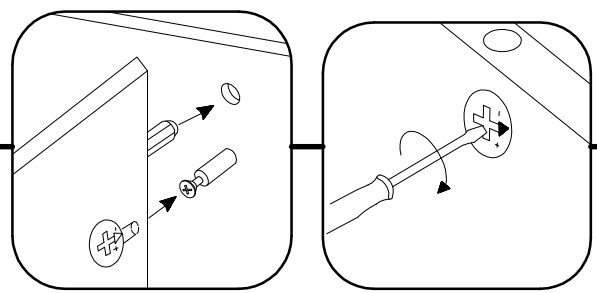
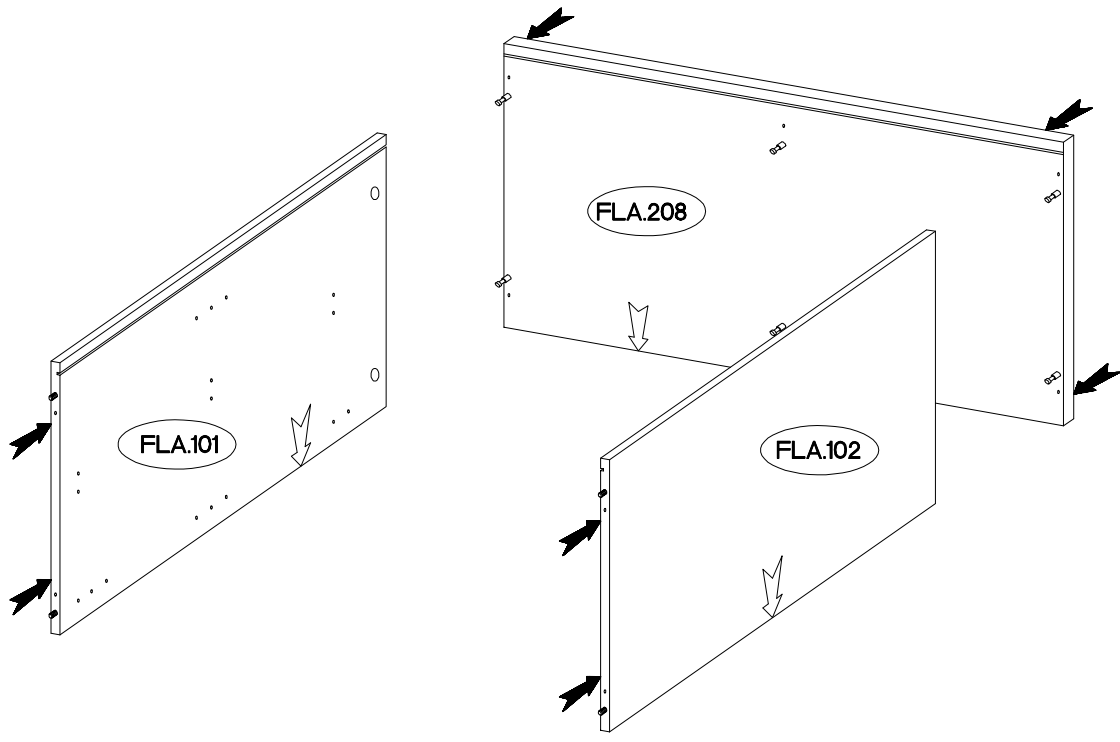
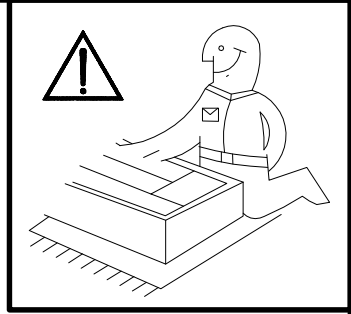


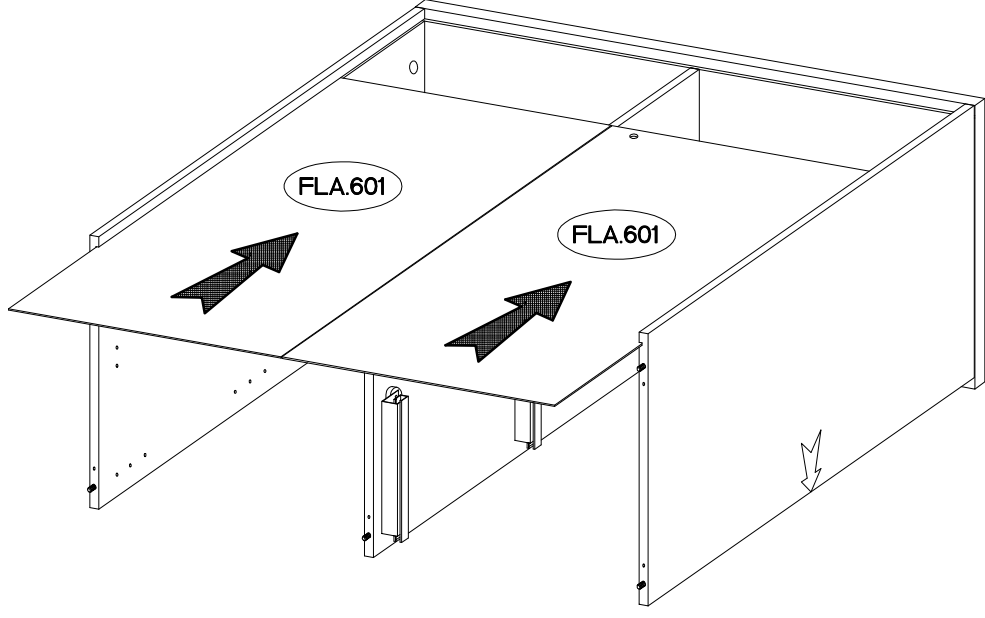
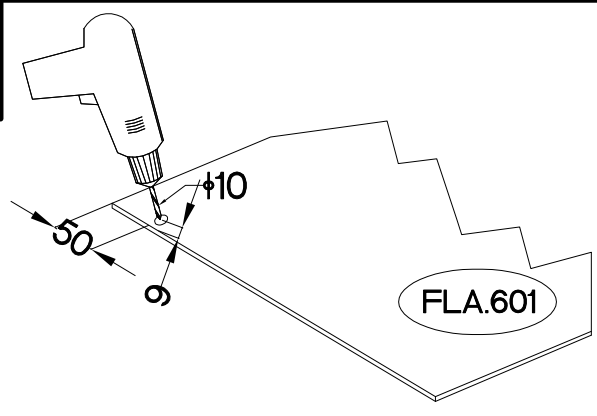
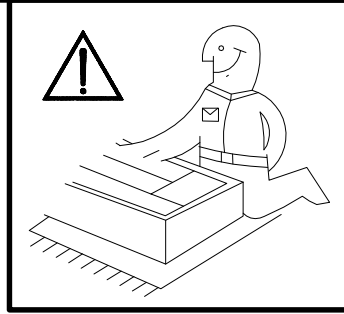
27



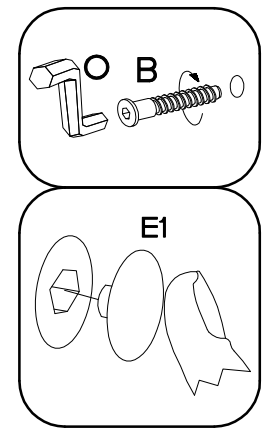
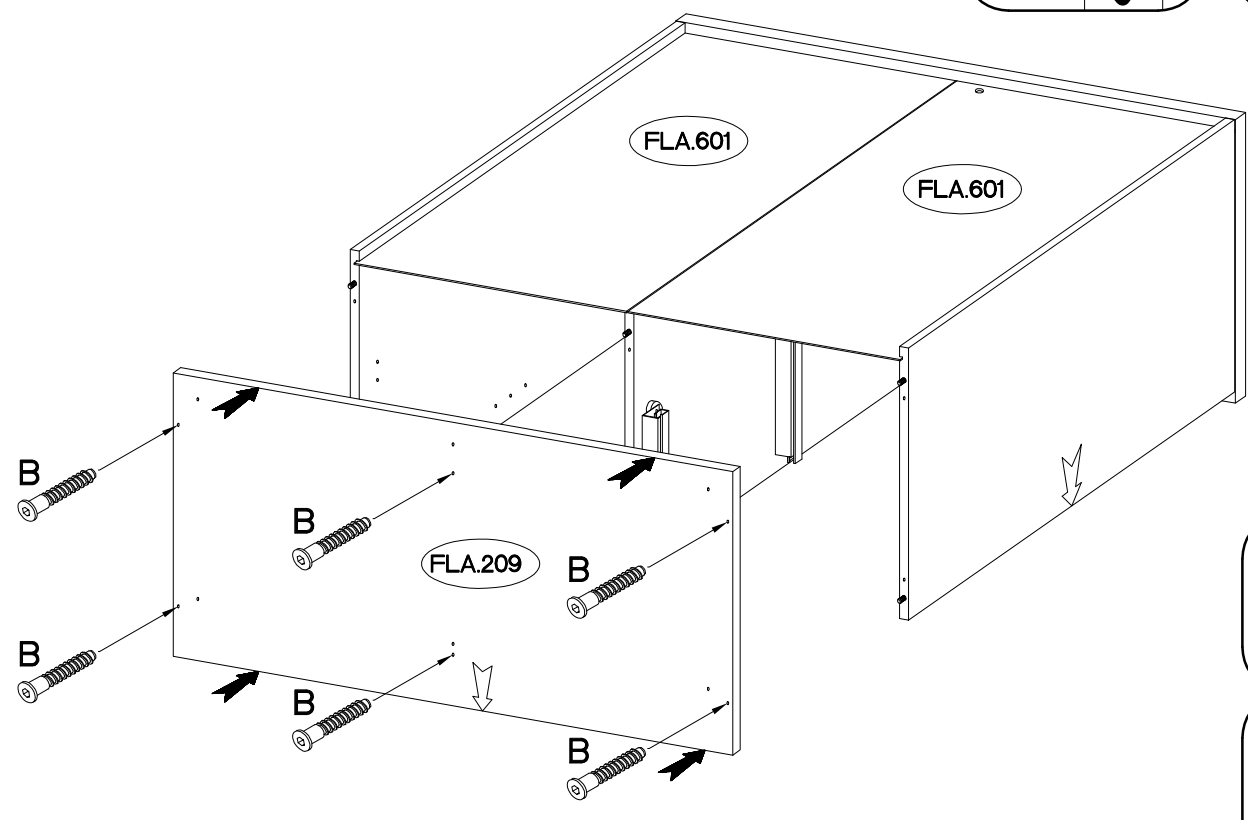
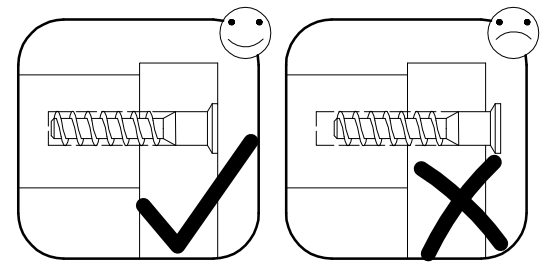
	+4.0x16mm	6.5x48x16	+15x5mm		+8x30mm
T3	P1	F22	F4	O1	A
5	5	6	1	1	6



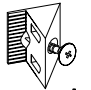

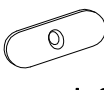


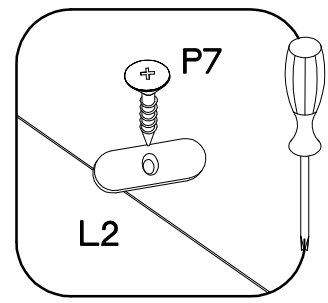
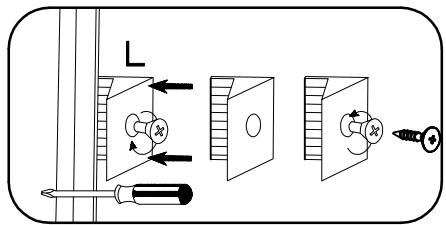
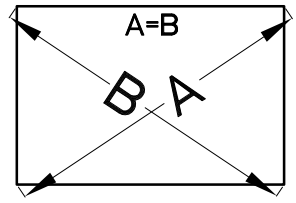
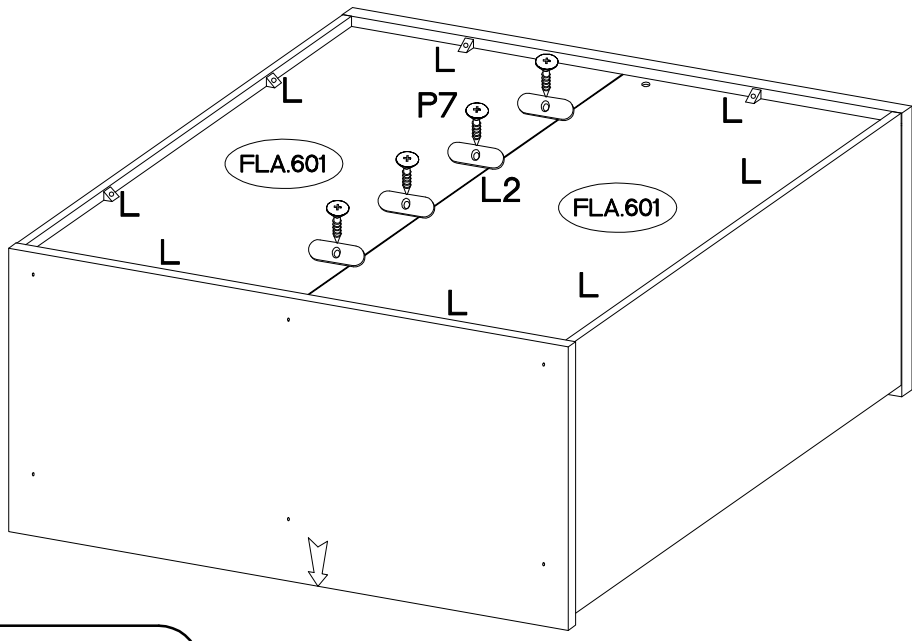
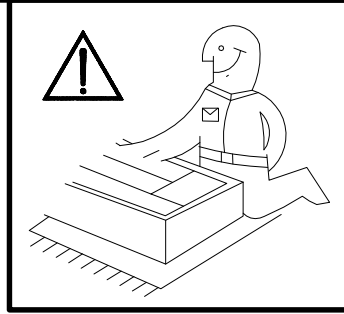


6,4 x 50mm		
B	O	E1
6	1	4




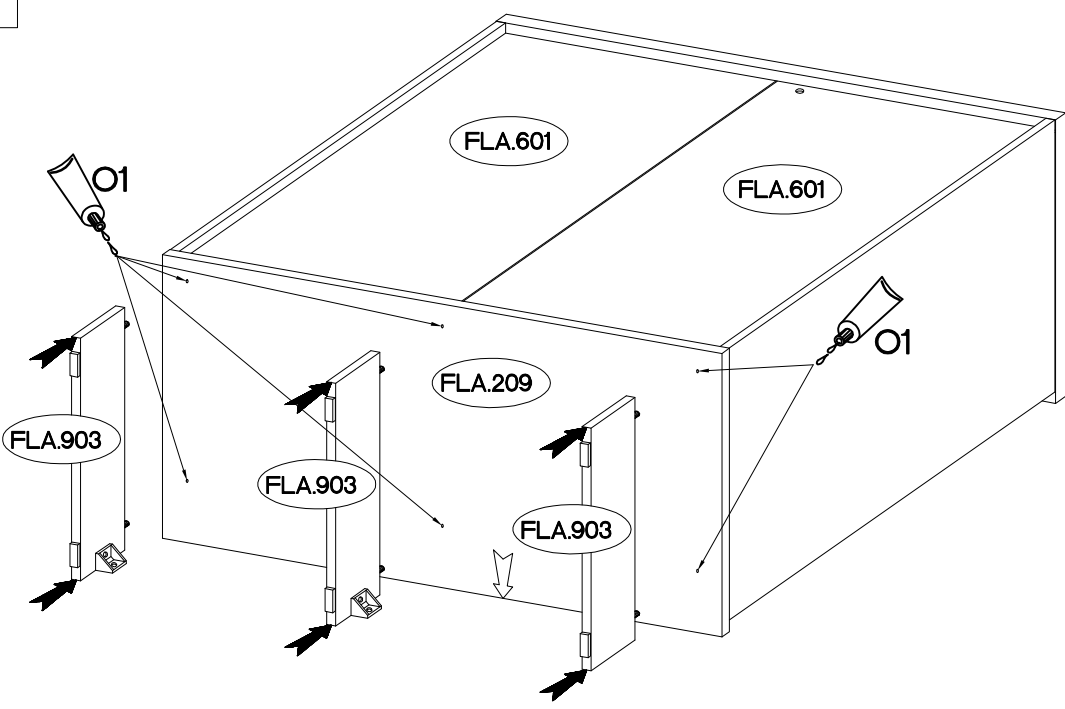
31

 L	$\varnothing 3.0 \times 20 \text{mm}$  P7	 L2
8	4	4




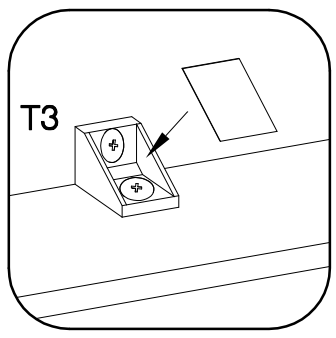
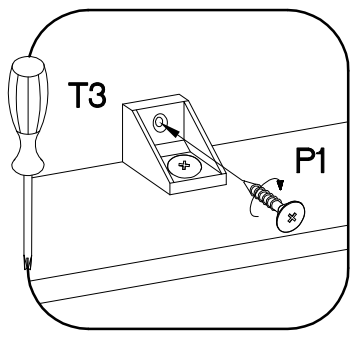
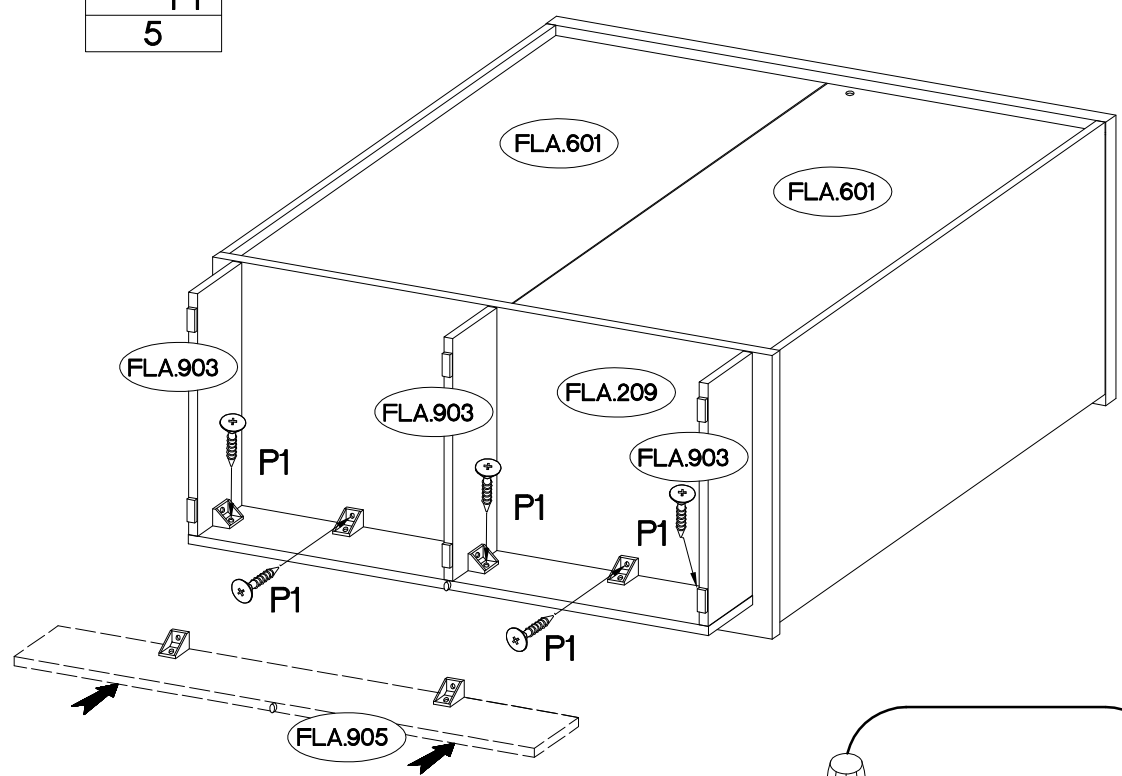
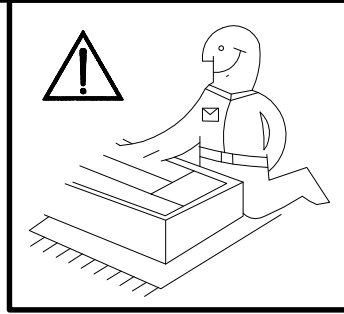
32

 O1
1

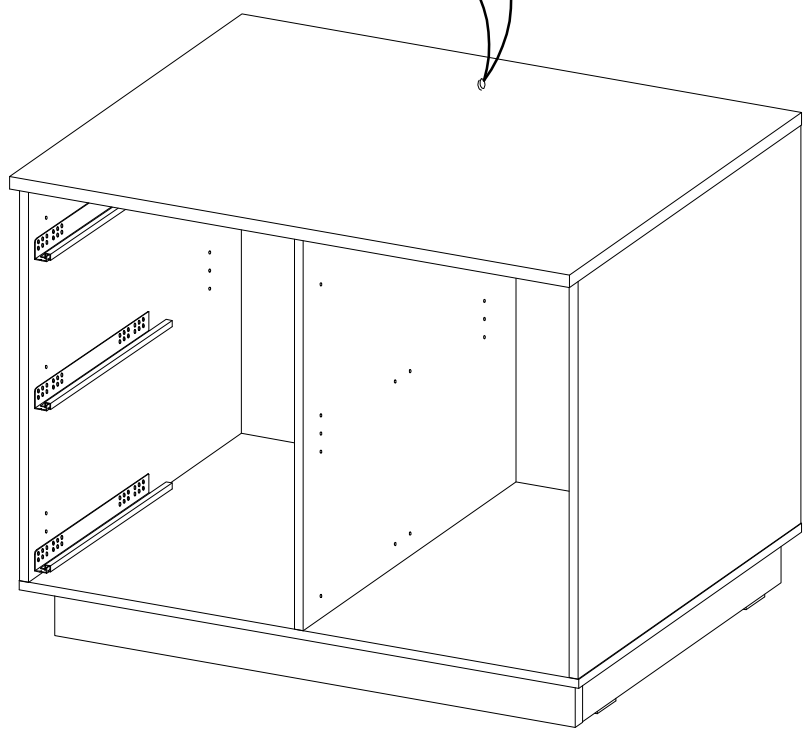
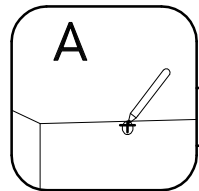





33

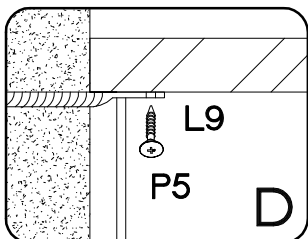
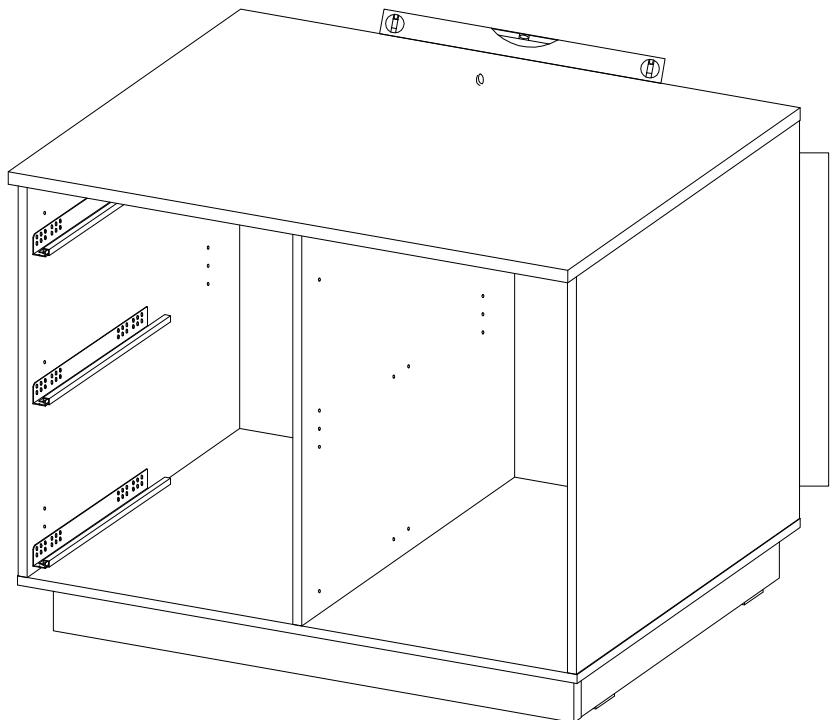
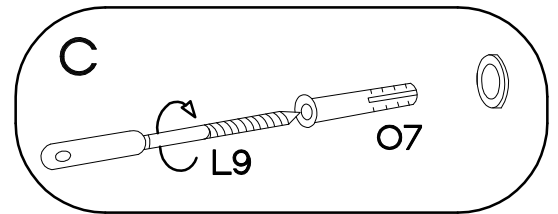
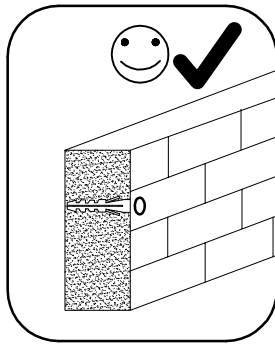
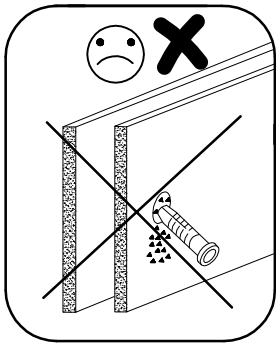
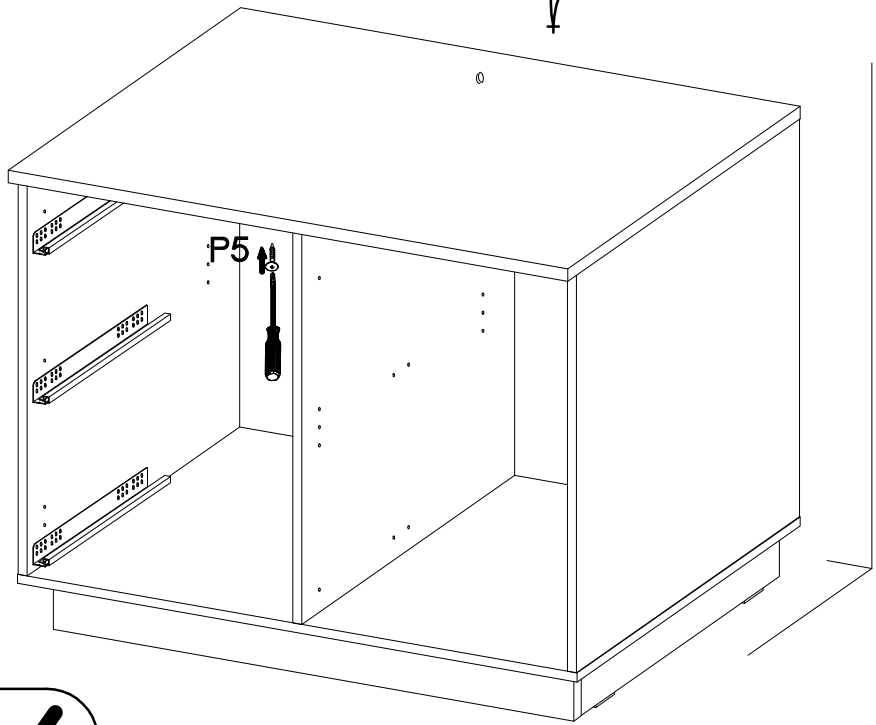
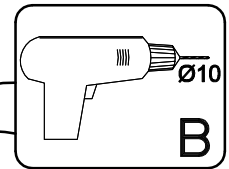
4.0x16mm

 P1
 5



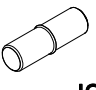

34

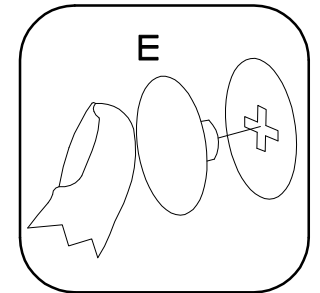
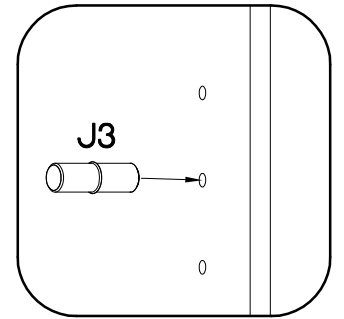
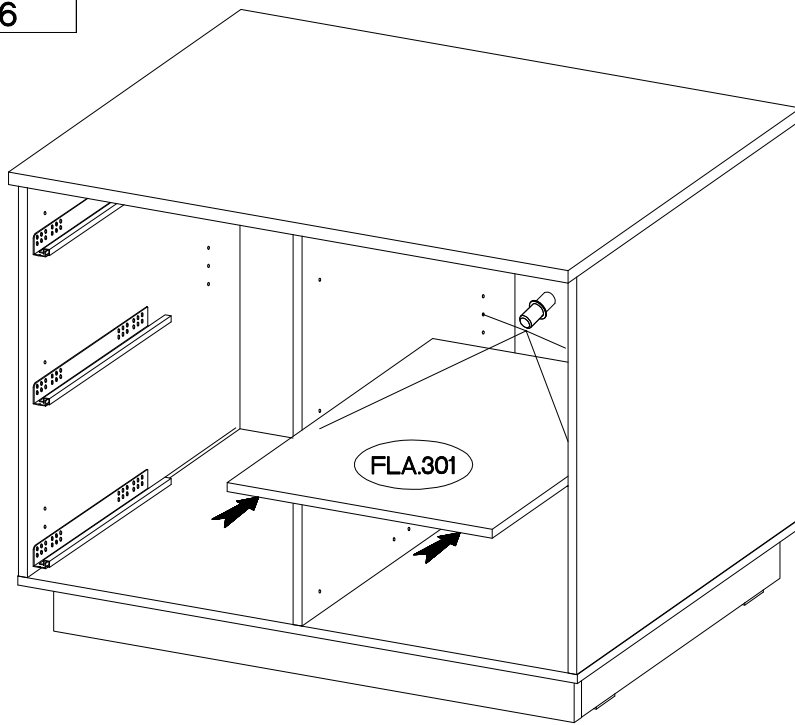


<p>†10x50mm</p>  <p>O7</p> <p>1</p>	<p>†3.5x13mm</p>  <p>L9</p> <p>1</p>	<p>†3.5x13mm</p>  <p>P5</p> <p>1</p>
--	--	--





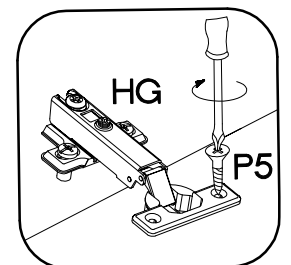
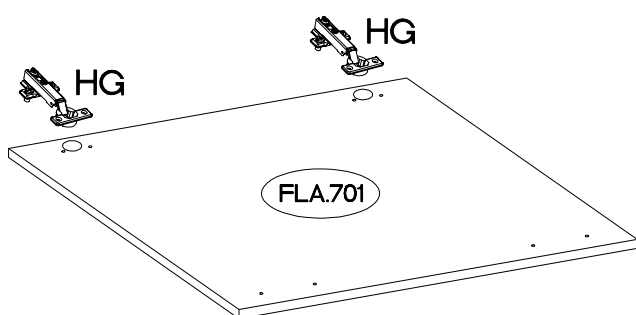
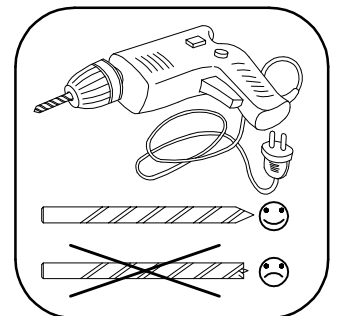
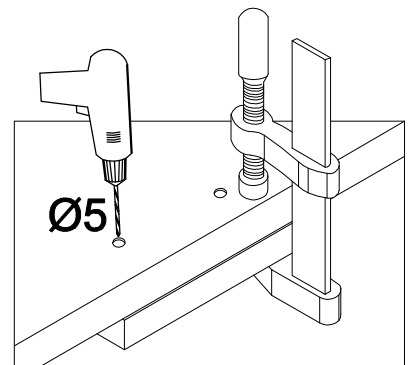
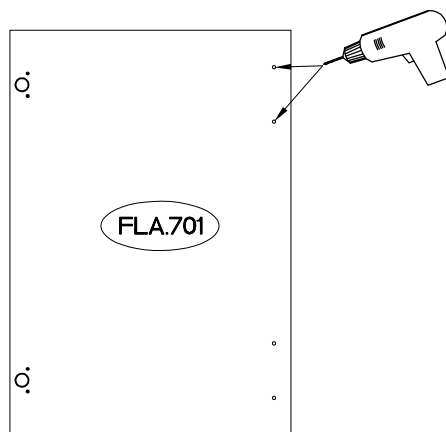
35

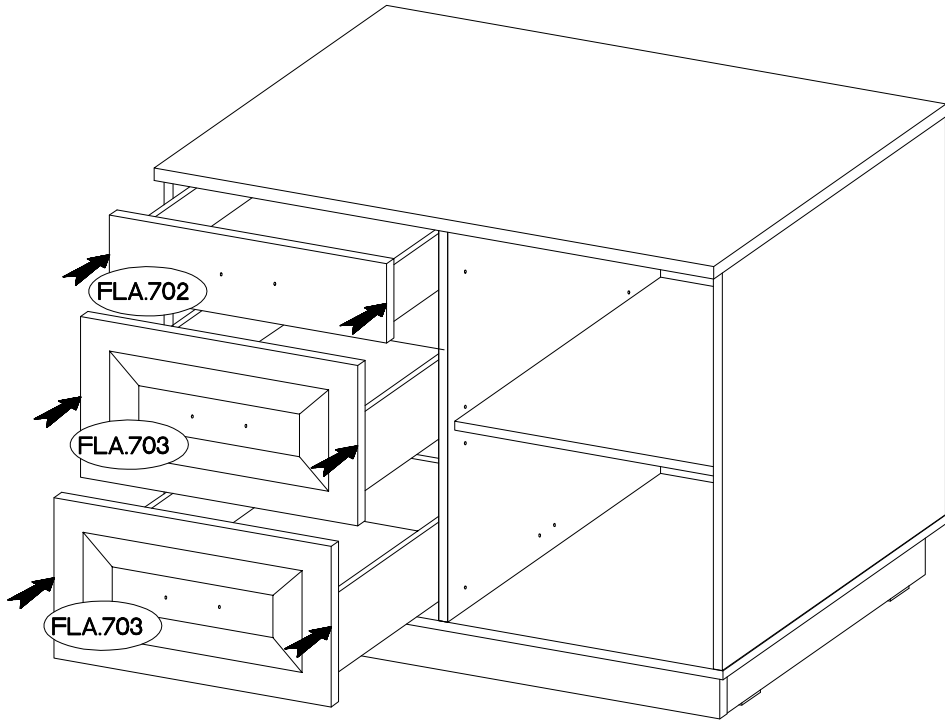
±5/16mm		
	J3	E
4		6



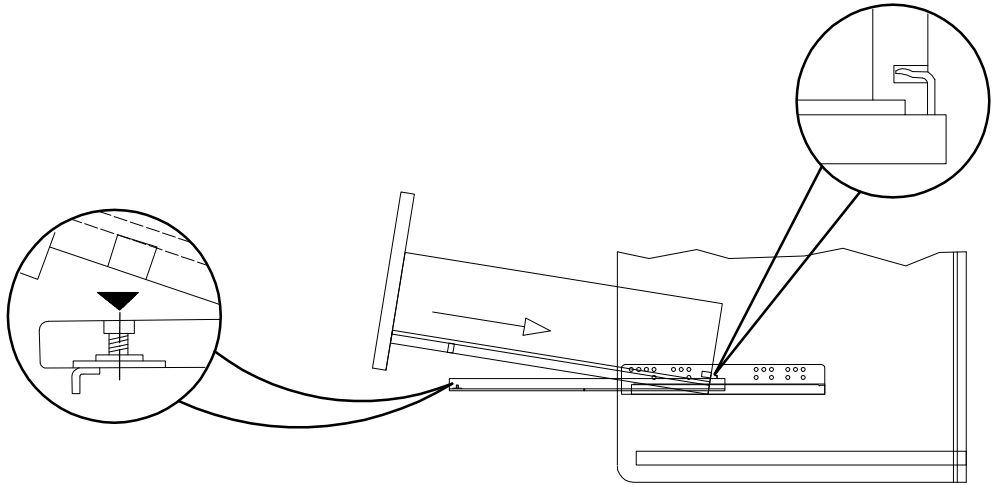
36

±35/0mm	±3.5x13mm
	
HG	P5
2	4

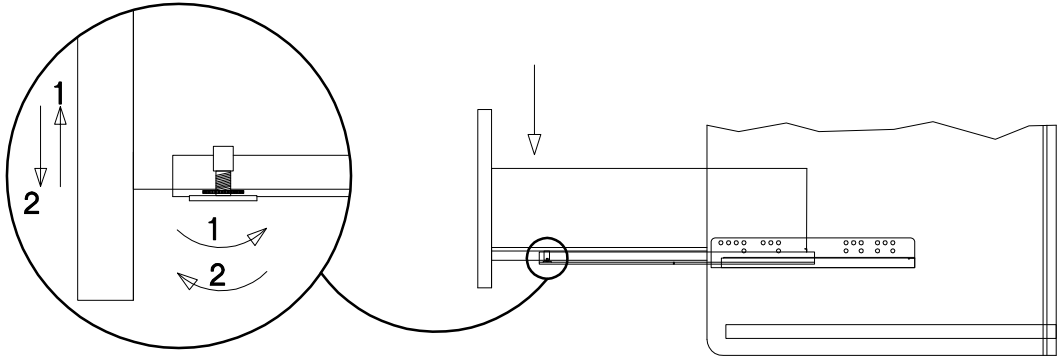






1.



2.



M4x22mm		
	U	S
8		4

