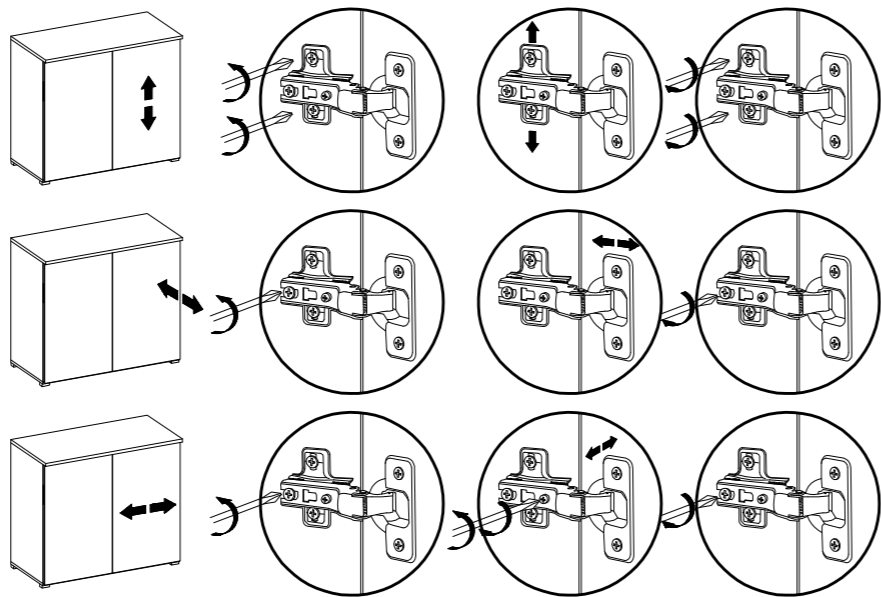
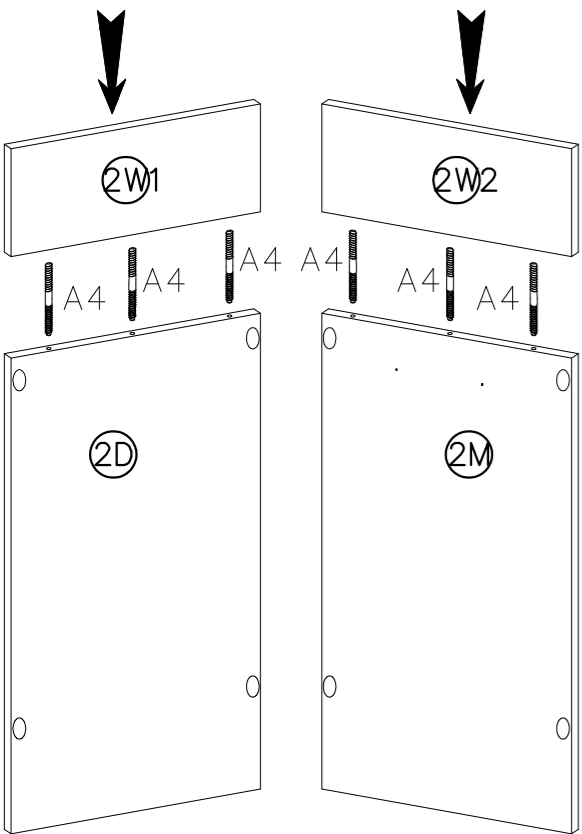
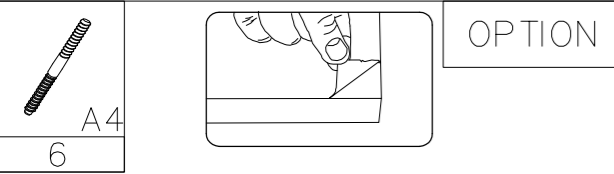
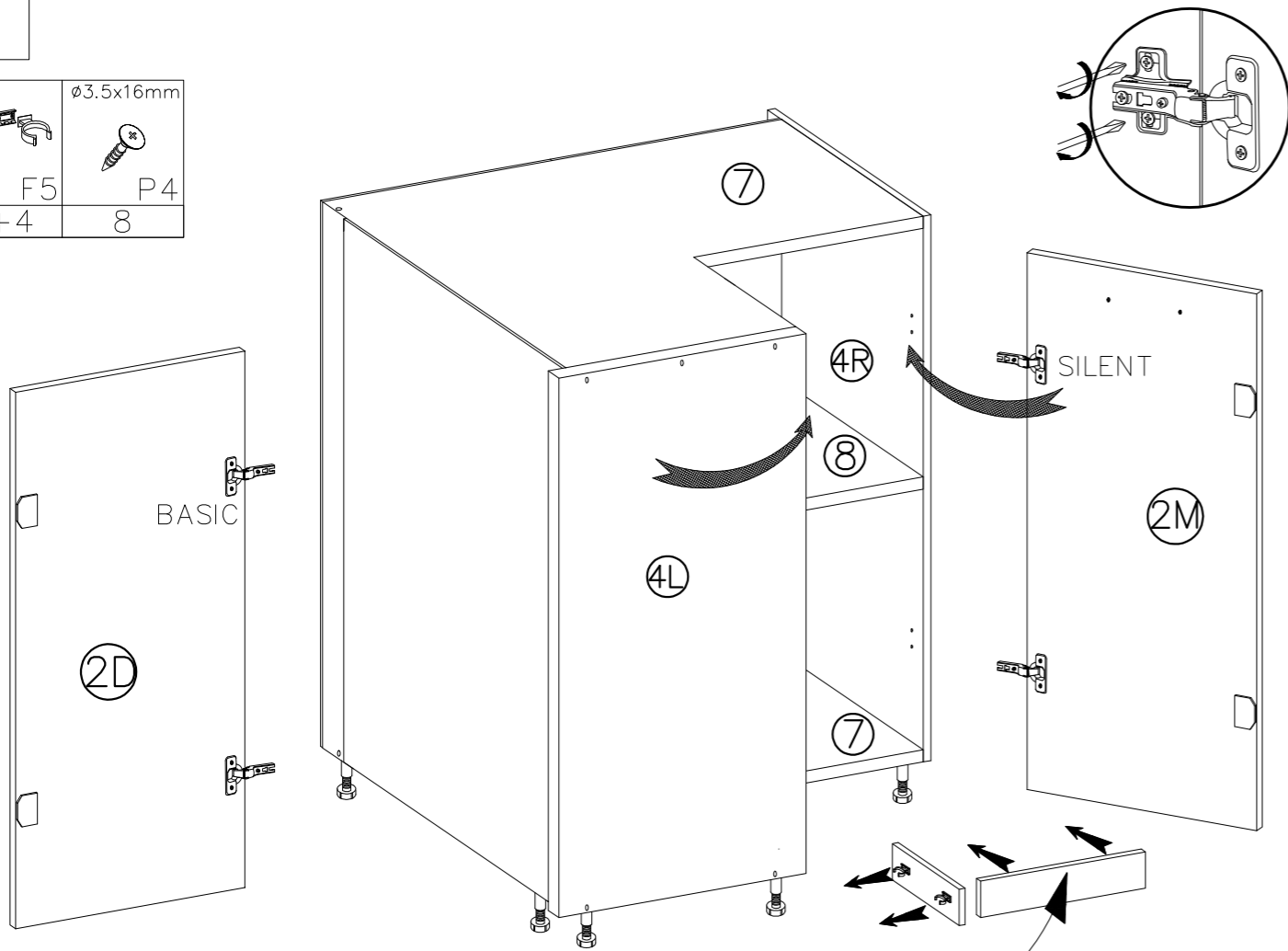
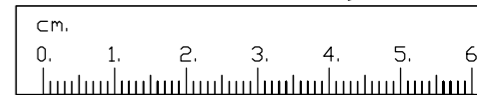
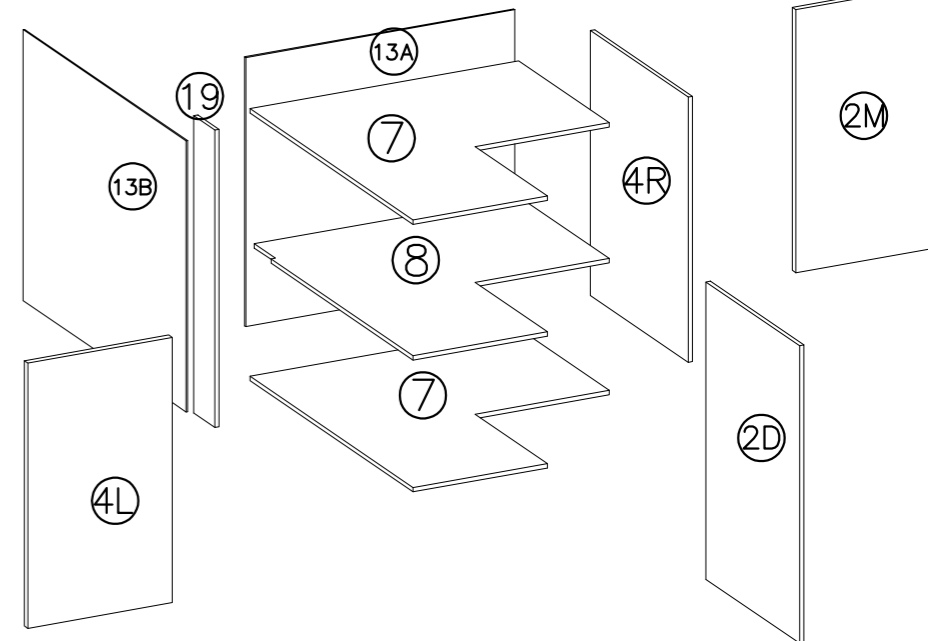
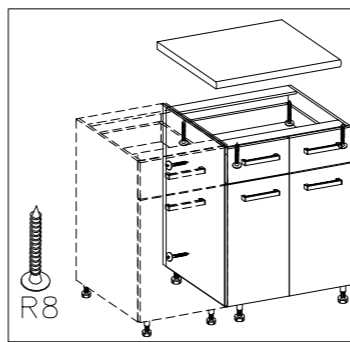
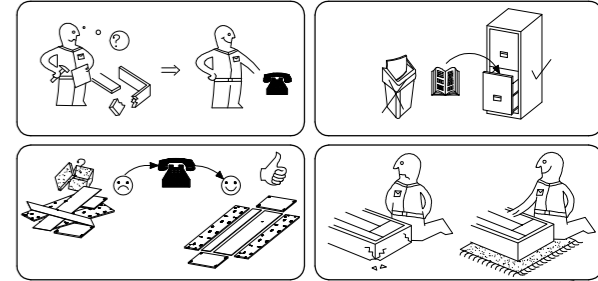
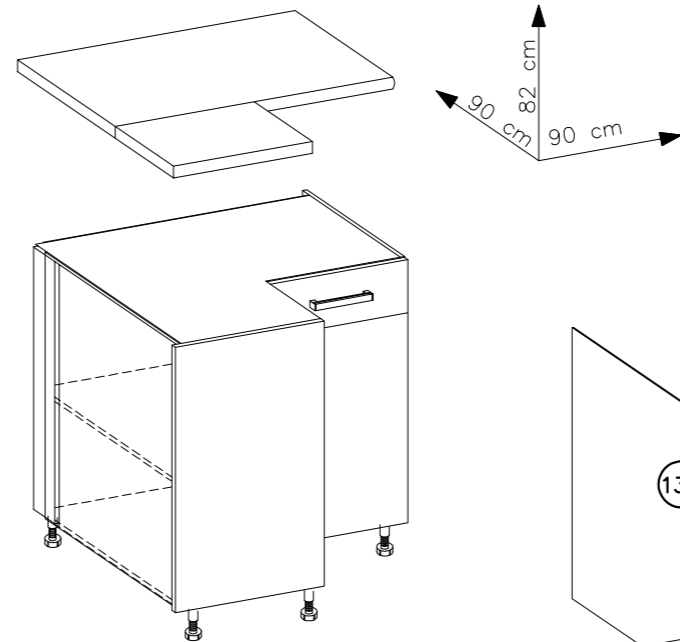
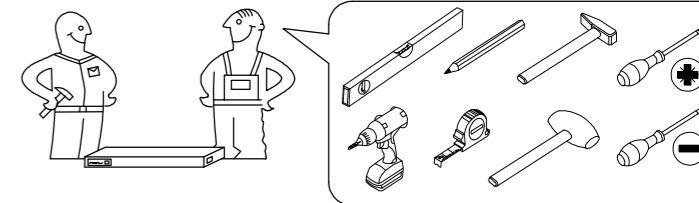


5

	$\phi 3.5 \times 16 \text{mm}$	
F5		P4
7+4		8



# KITCHEN 16D



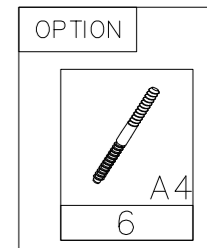
**Package No 1**

<b>4L</b> 720x560	<b>4R</b> 720x560
<b>7</b> 16D-814x814	<b>19</b> 16D-688x92
<b>8</b> 16D-814x814	
<b>13A</b> 16D-718x820	
<b>13B</b> 16D-718x760	

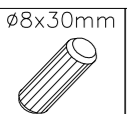
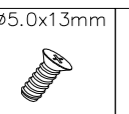
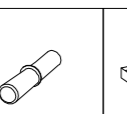
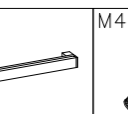
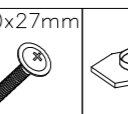
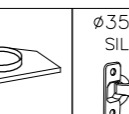
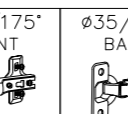

**Package No 2**

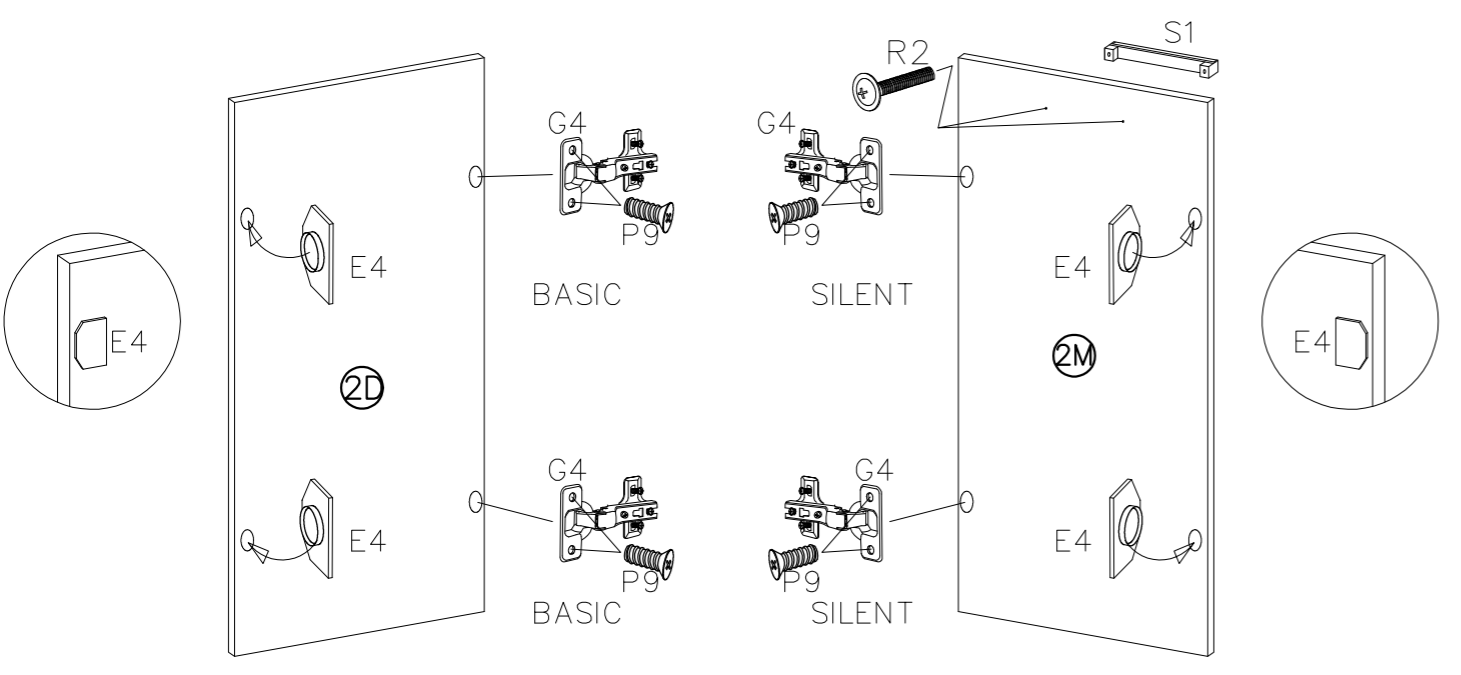
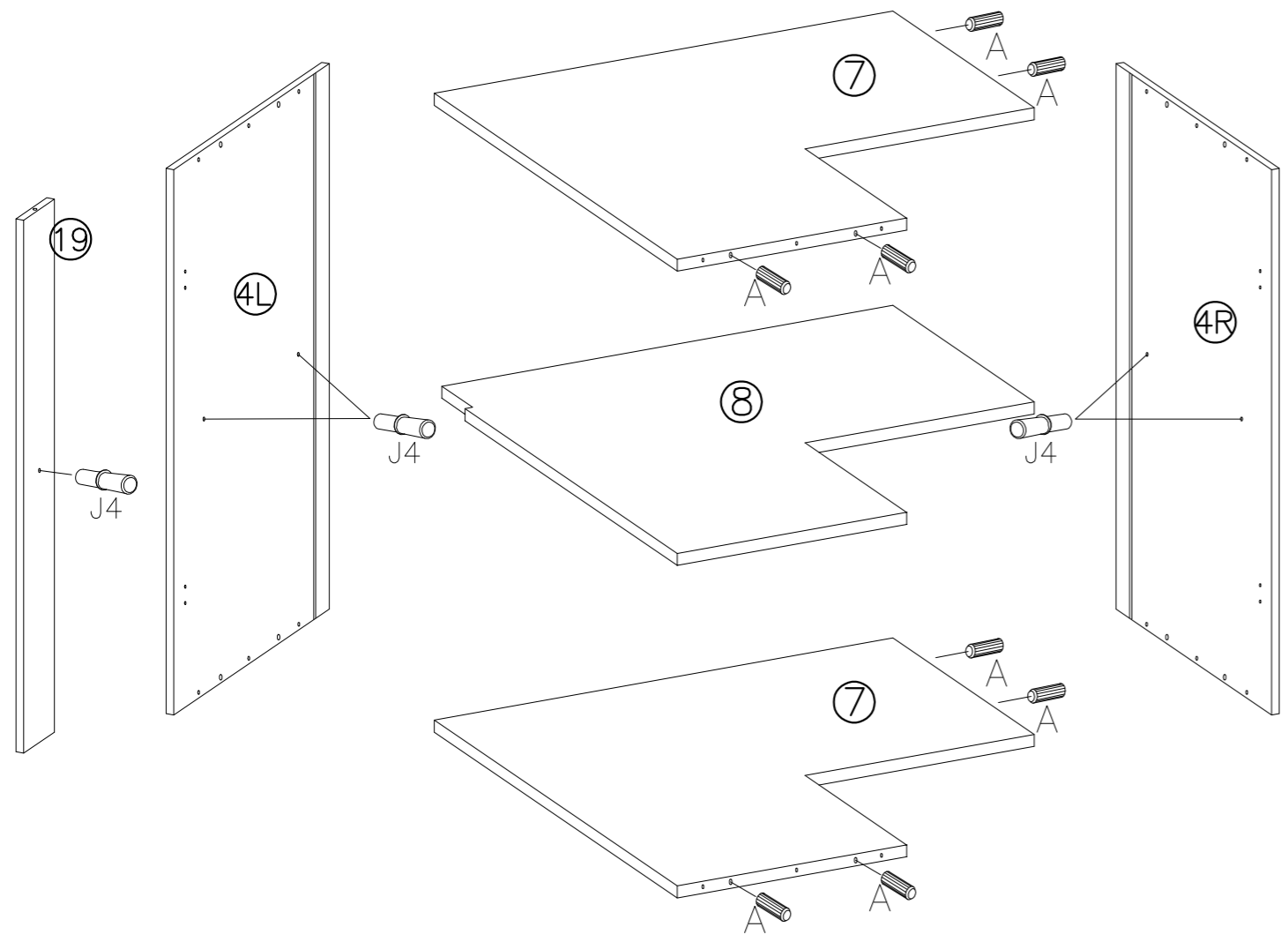
<b>2D</b> 16D-322x716	
<b>2M</b> 16D-316x716	
S1	R2
1	2

$\phi 8 \times 30 \text{mm}$						$\phi 35/175^*$ SILENT	$\phi 35/175^*$ BASIC
A	B	O	F10	L	J4	G4	G4
8	14	1	20	4	5	2	2
$\phi 3.5 \times 16 \text{mm}$	$\phi 5.0 \times 13 \text{mm}$	$\phi 3.5 \times 30 \text{mm}$			$\phi 3.0 \times 16 \text{mm}$		
P4	P9	R8	E4	F5	P1		
36	8	6	4	7+4	8		

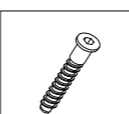
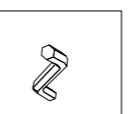


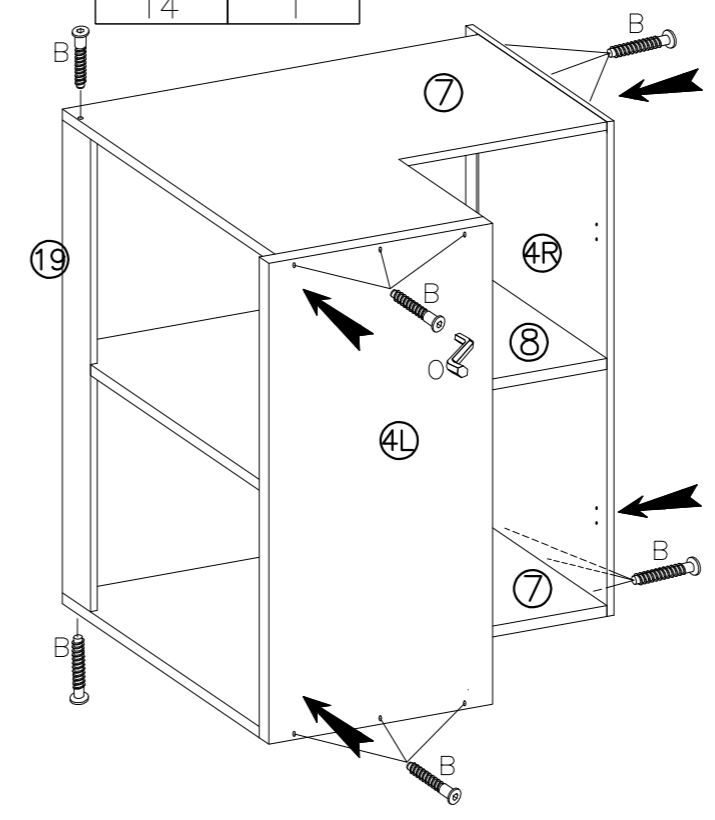
1

 $\varnothing 8 \times 30 \text{mm}$	 $\varnothing 5.0 \times 13 \text{mm}$			 M4.0x27mm		 $\varnothing 35/175^\circ$ SILENT	 $\varnothing 35/175^\circ$ BASIC
A	P9	J4	S1	R2	E4	G4	G4
8	8	5	2	4	4	2	2

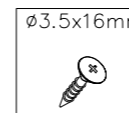
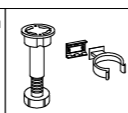


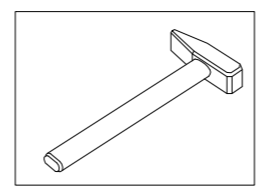
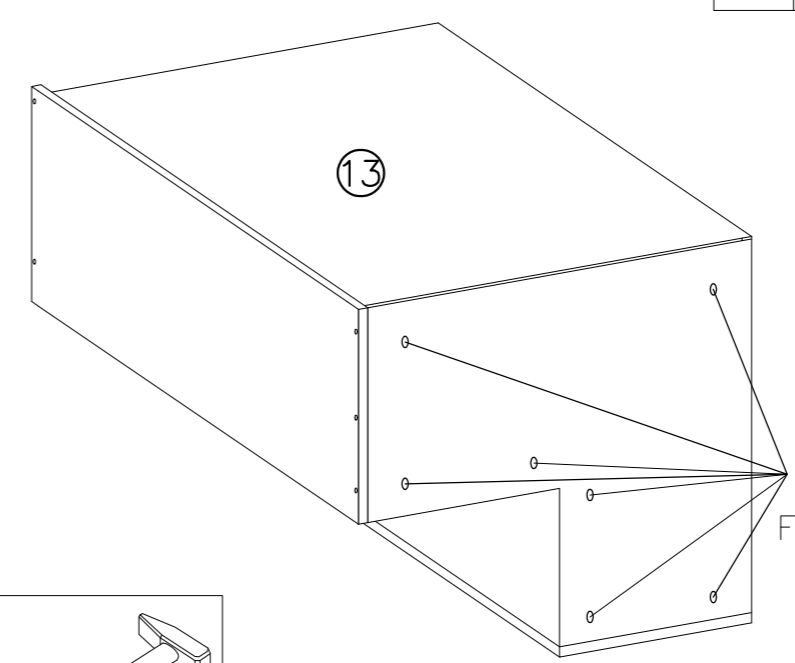
2

	
B	O
14	1


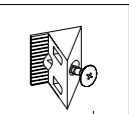



4

 $\varnothing 3.5 \times 16 \text{mm}$	
P4	F5
28	7+4



3

		 $\varnothing 3.0 \times 16 \text{mm}$
F10	L	P1
40	4	8

