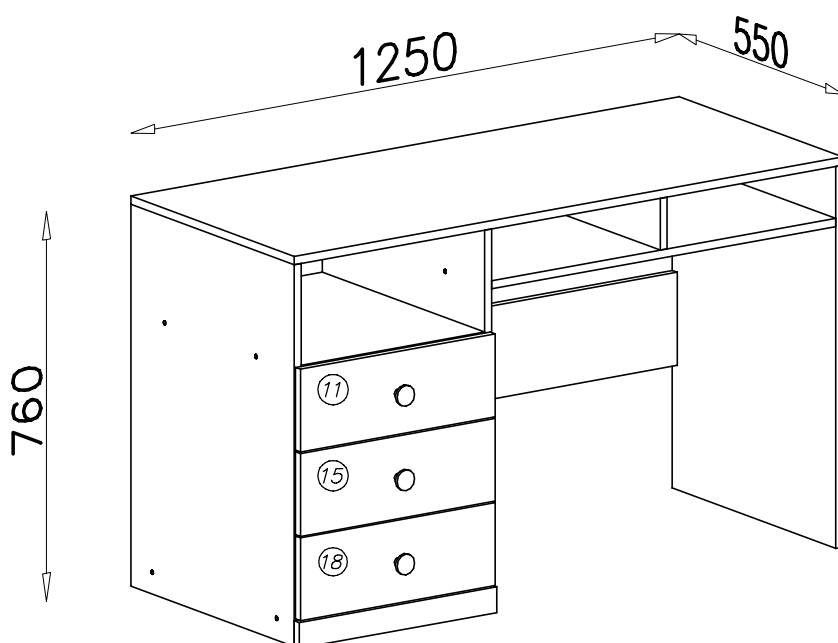
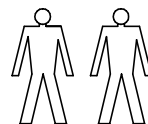
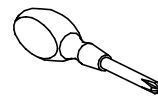
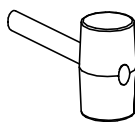
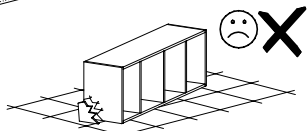
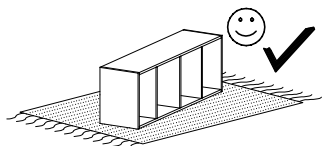
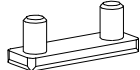


# PIXEL PX 8

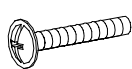


P3



x6

N15



M4x25

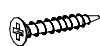
x3

W1



x3

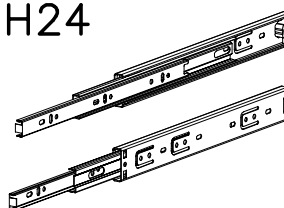
G2



3x20

x30

H24



400mm

x3

E35



x3

A1



ø7x50

x16

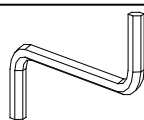
B7



ø8x30

x63

W2



x1

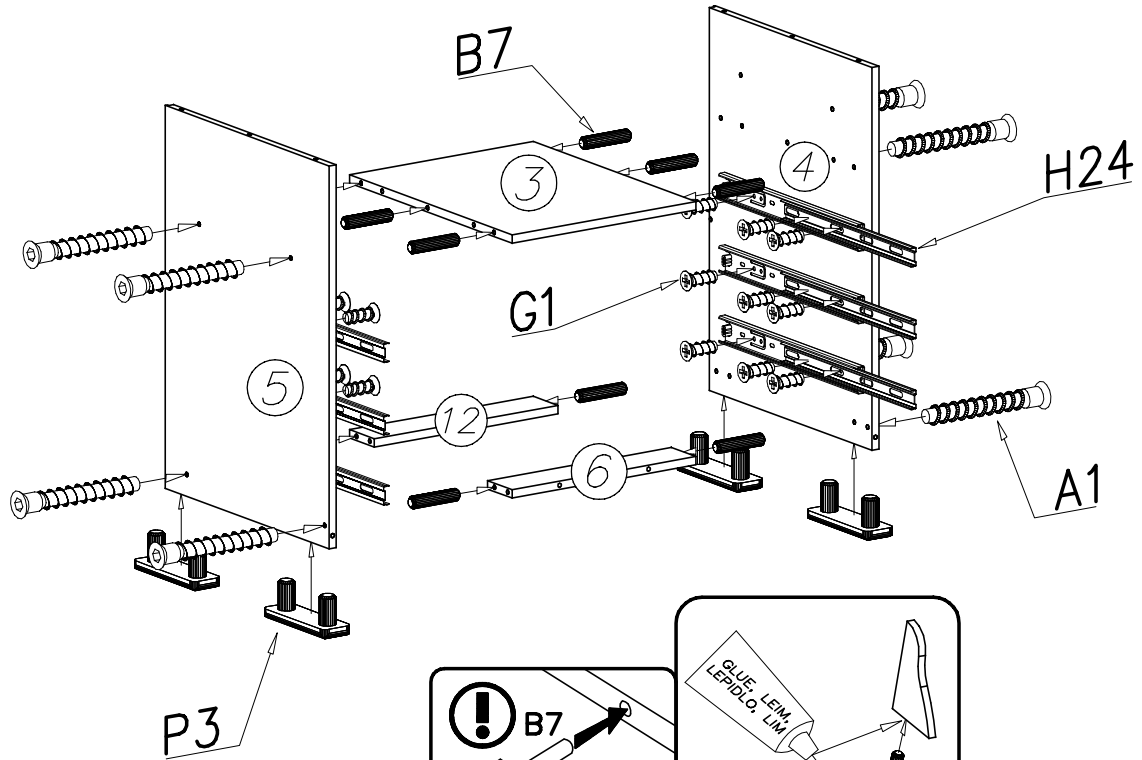
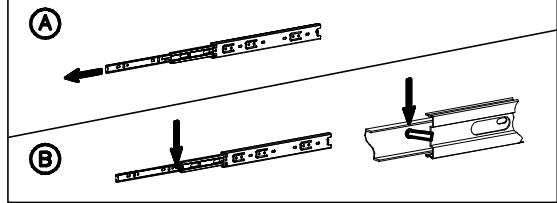
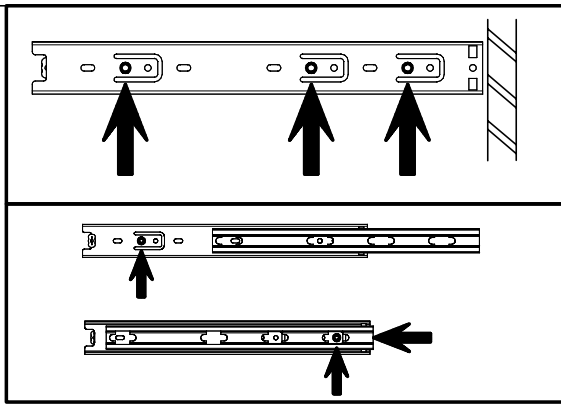
G1



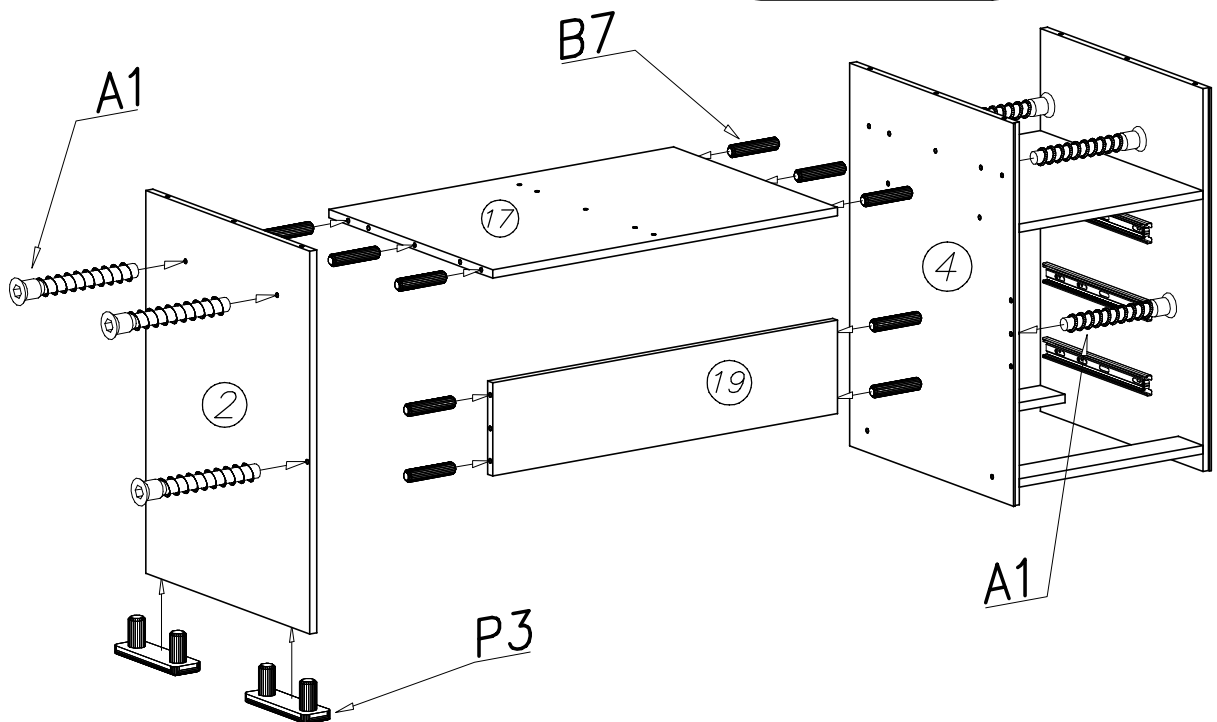
4x13

x30

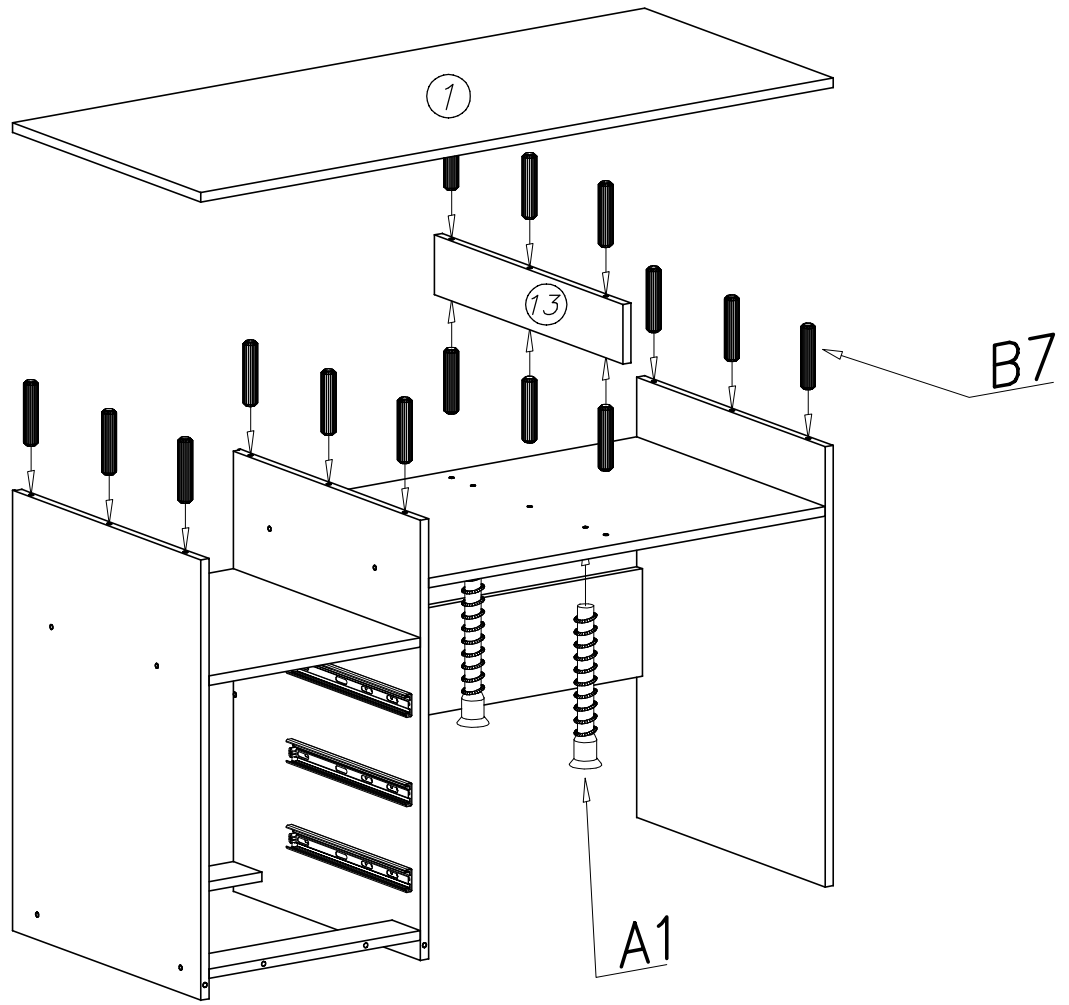
I



II



III



IV

