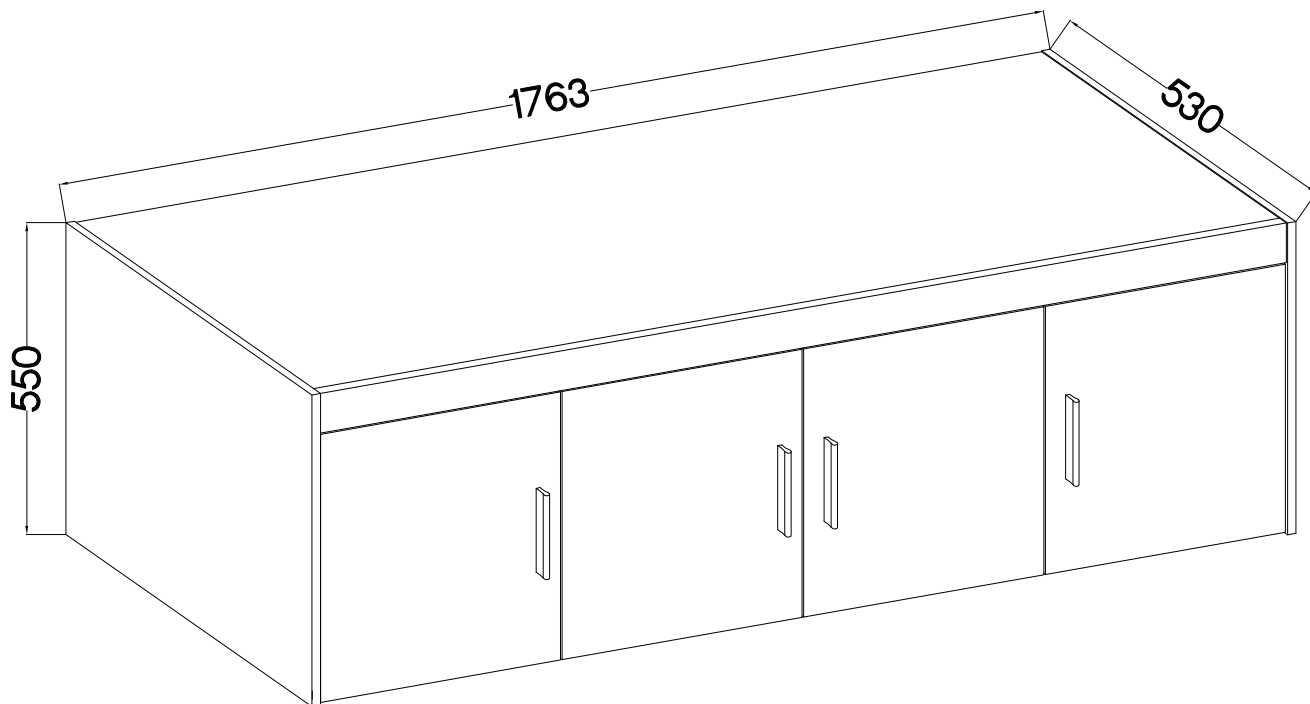
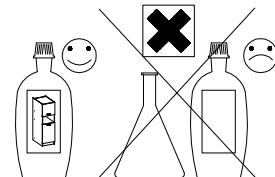


60 min

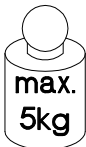
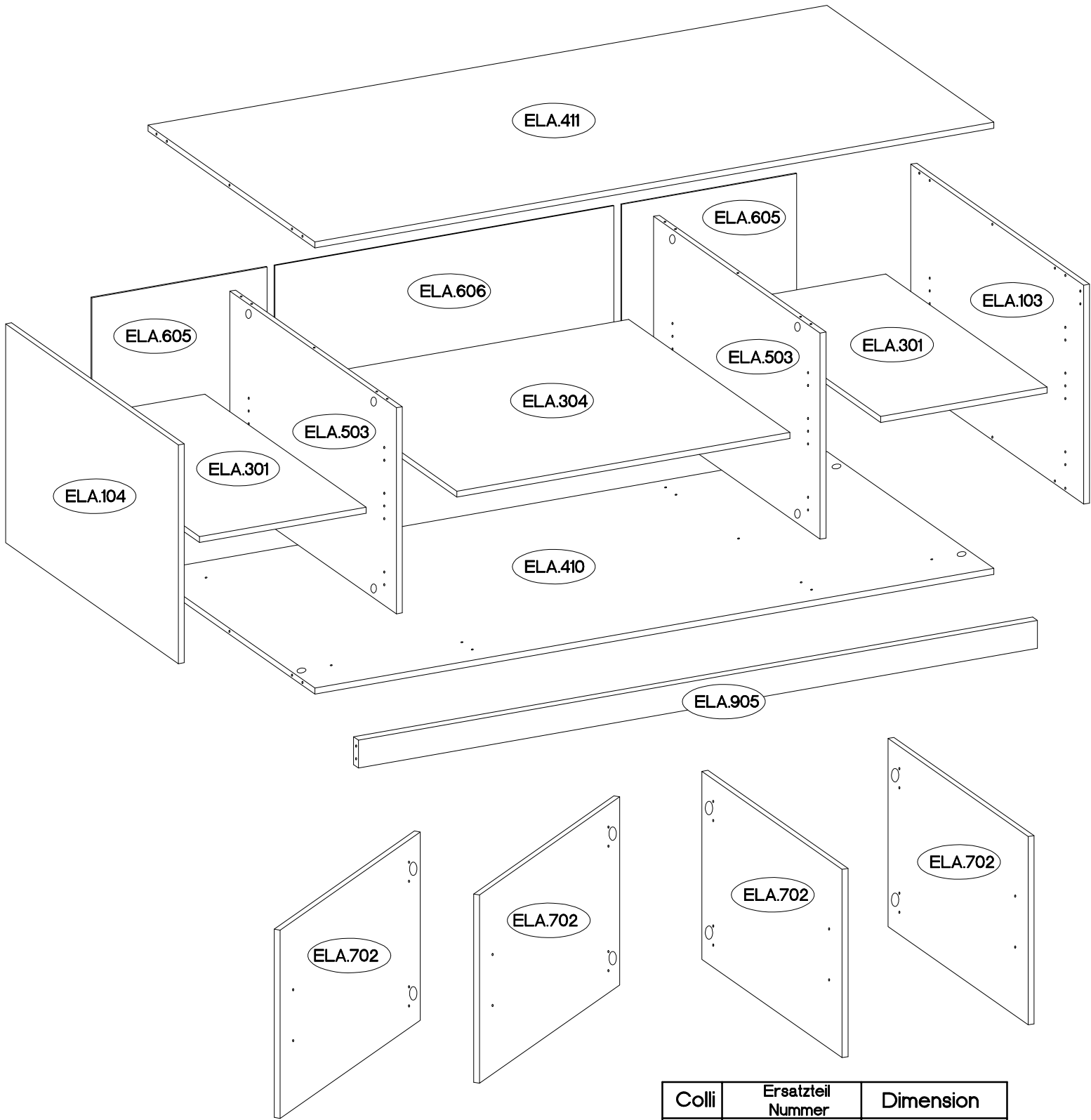
ELENA NA 4D



A	C	D2	E
28	16	16	16

HG1	HG2	J3	L2	P1	P5	P7	R	R2	S	T3
4	4	12	6	4	16	40	4	8	4	2

P-ISM-ELA-06

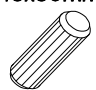
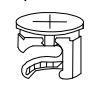

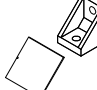



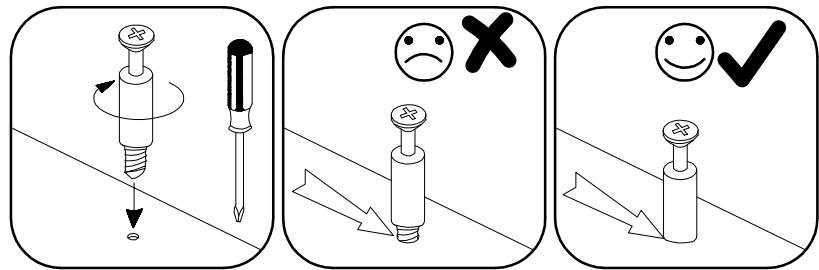
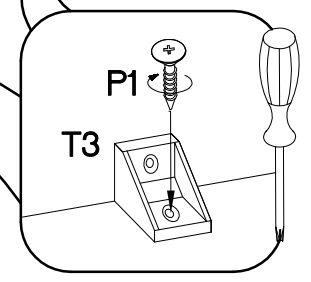
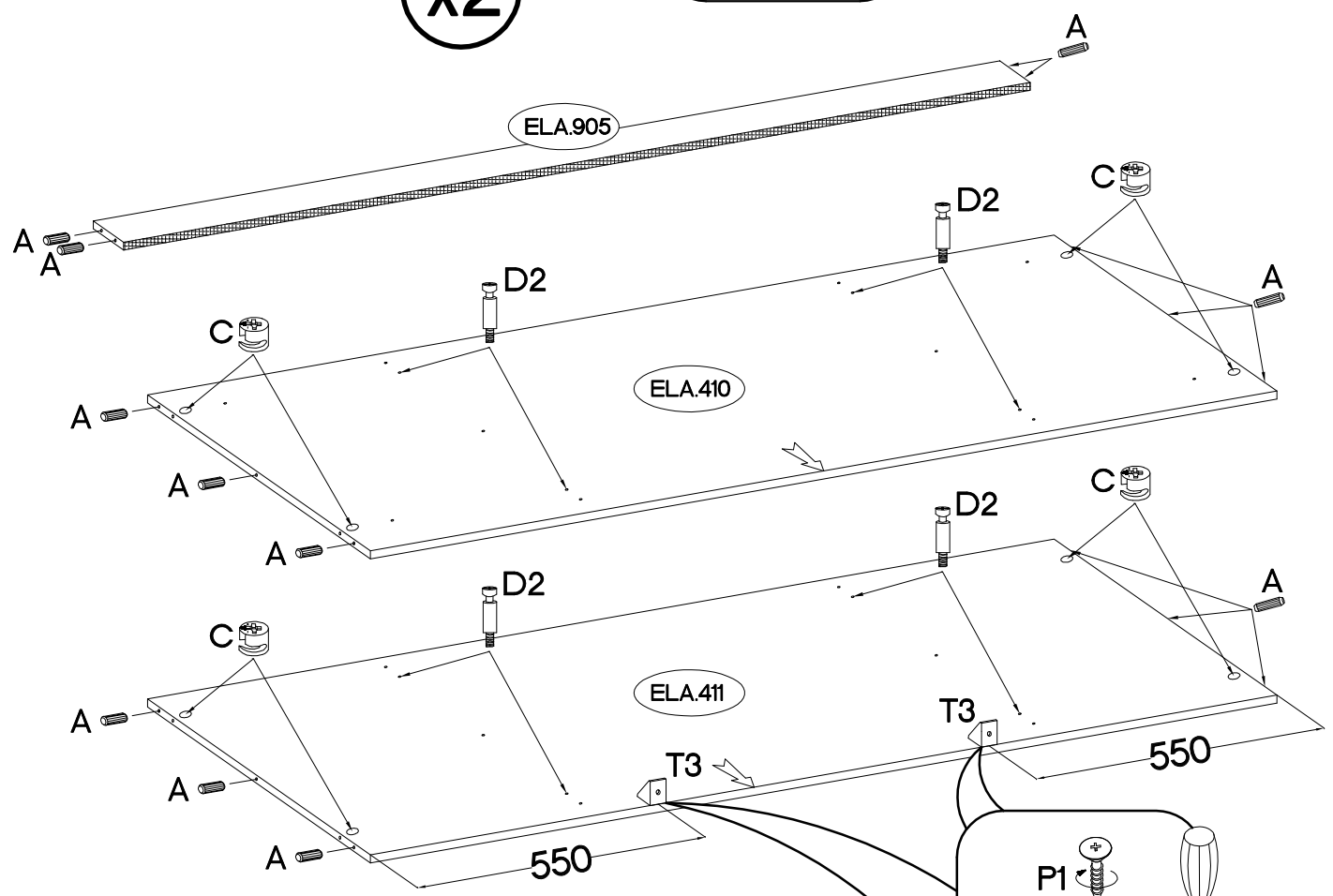
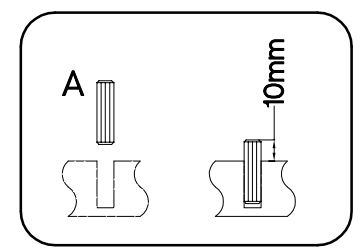
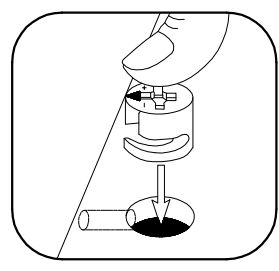
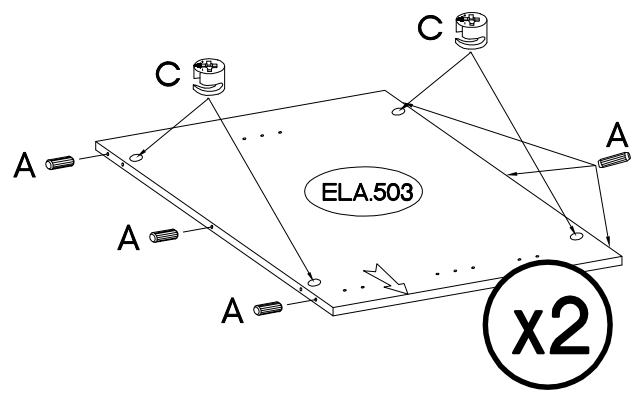
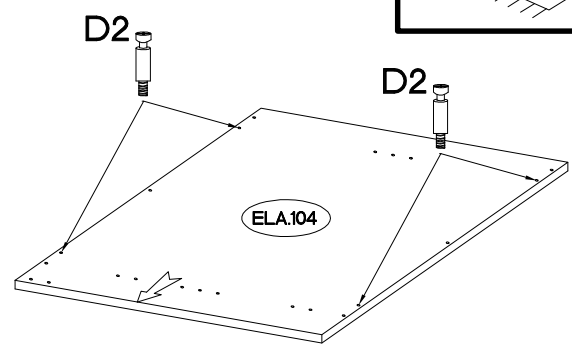
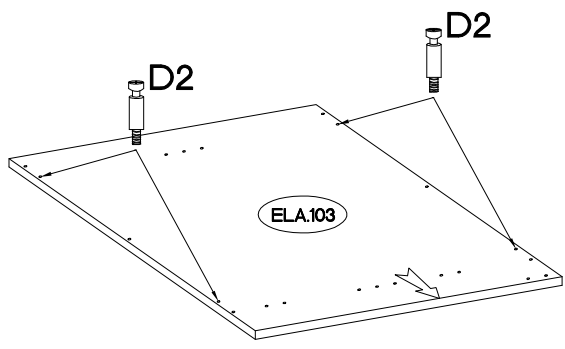
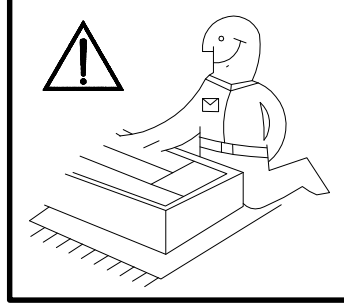
ELA.301

ELA.304

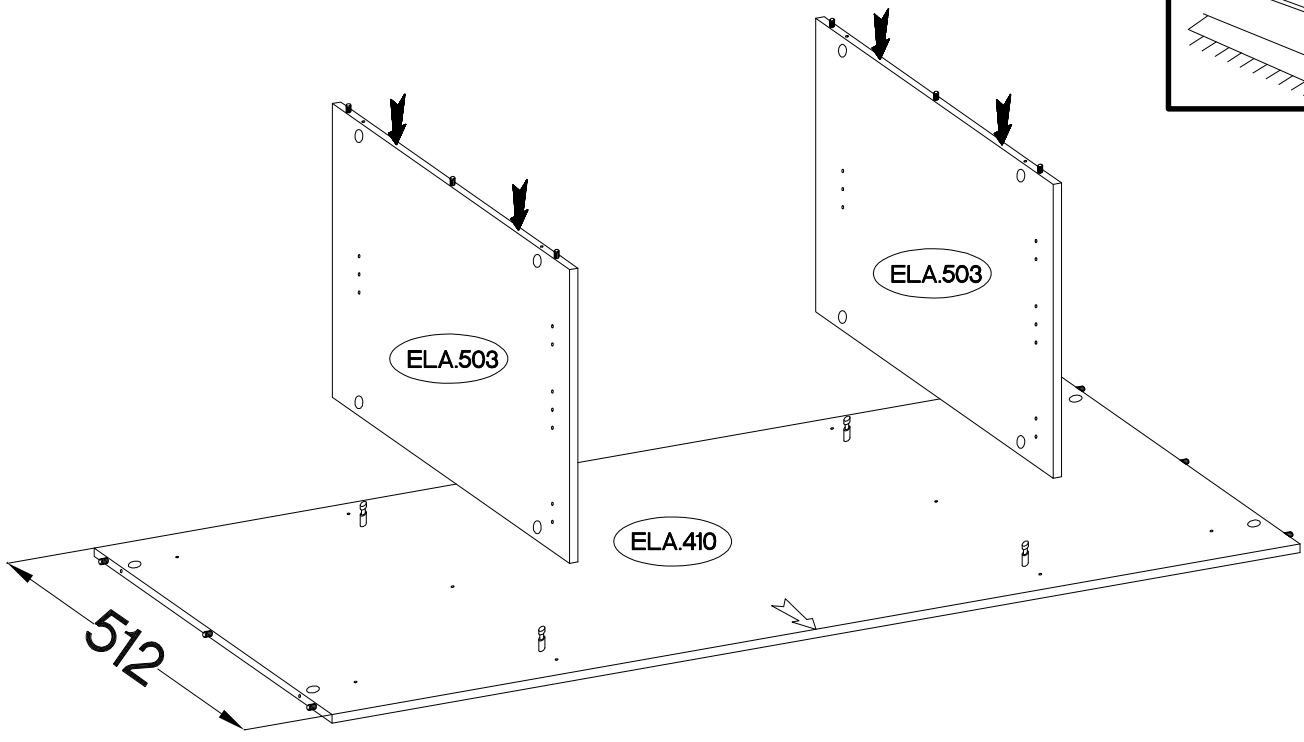
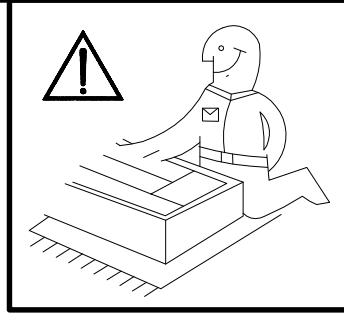
Colli	Ersatzteil Nummer	Dimension
Colli 1/2	ELA.103	550x530x15
	ELA.104	550x530x15
	ELA.301 x2	425x495x15
	ELA.304	850x495x15
	ELA.503 x2	518x511x15
	ELA.702 x4	473x430x15

Colli	Ersatzteil Nummer	Dimension
Colli 2/2	ELA.410	1733x512x15
	ELA.411	1733x512x15
	ELA.605	546x447x2.5
	ELA.606	546x865x2.5
	ELA.905	1733x70x15

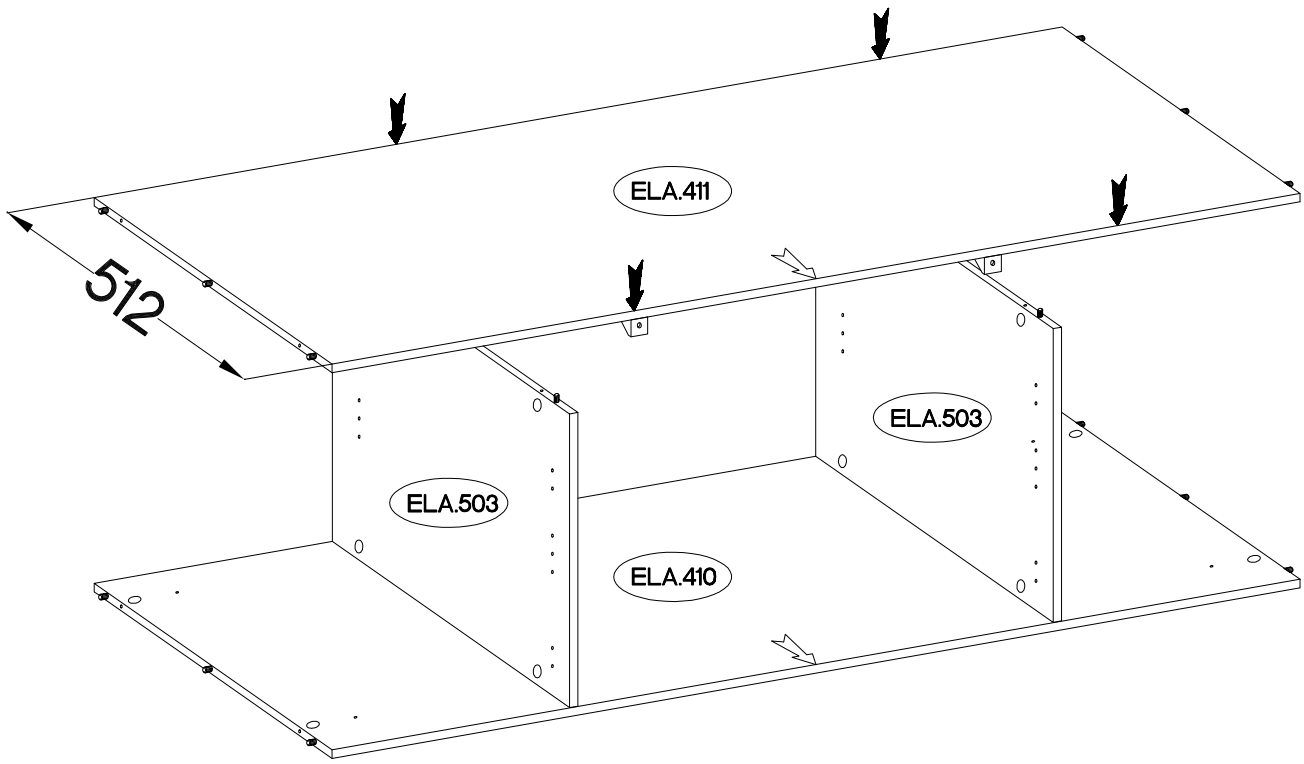
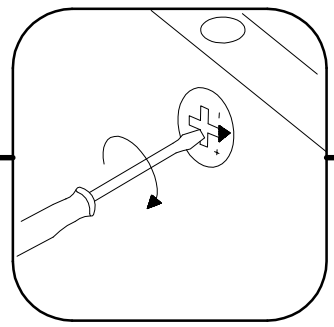
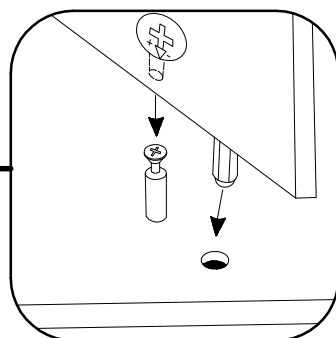
 <p>±8x30mm A</p>	 <p>±15/12mm C</p>	 <p>L=20mm D2</p>	 <p>±4.0x16mm T3</p>	 <p>±4.0x16mm P1</p>
28	16	16	2	2



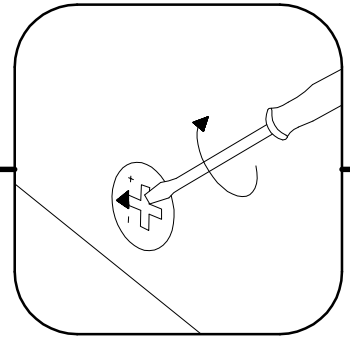
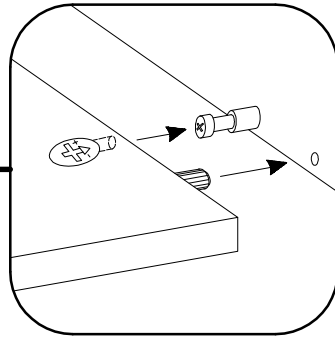
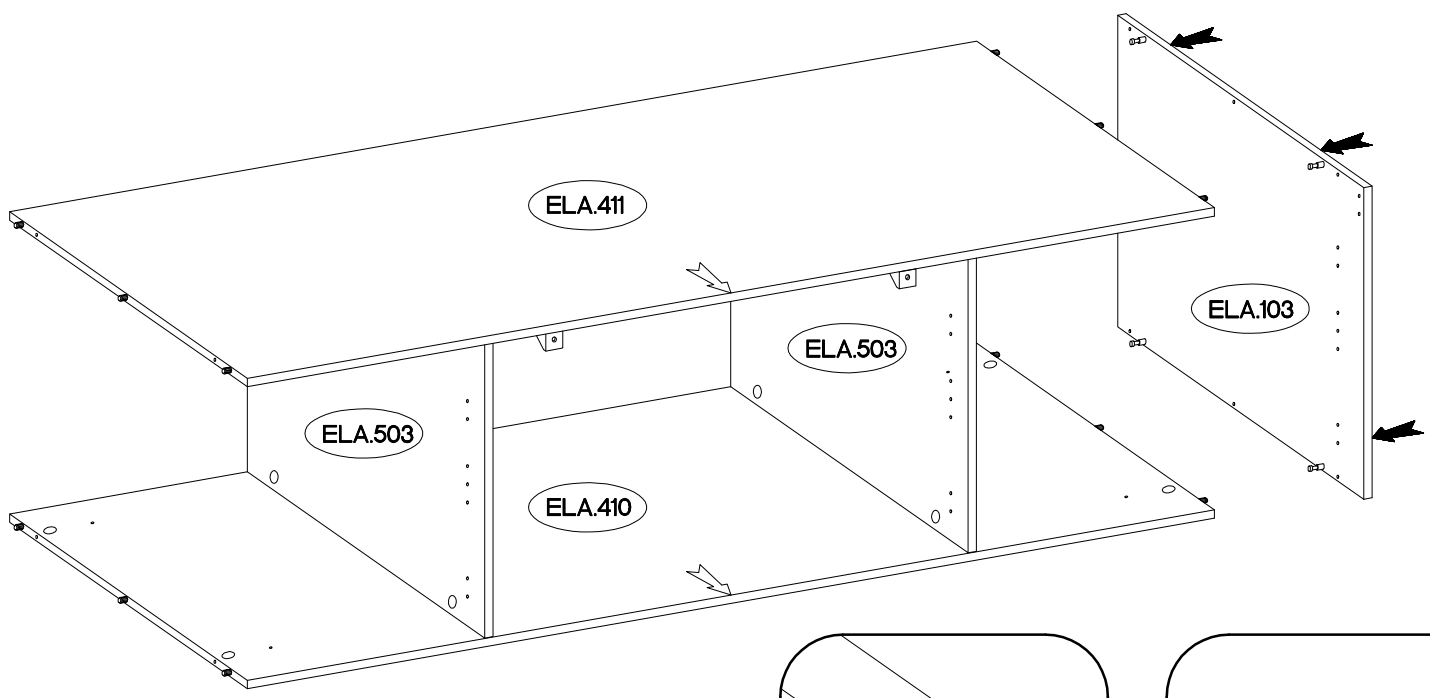
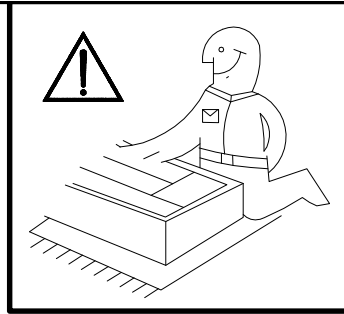
2



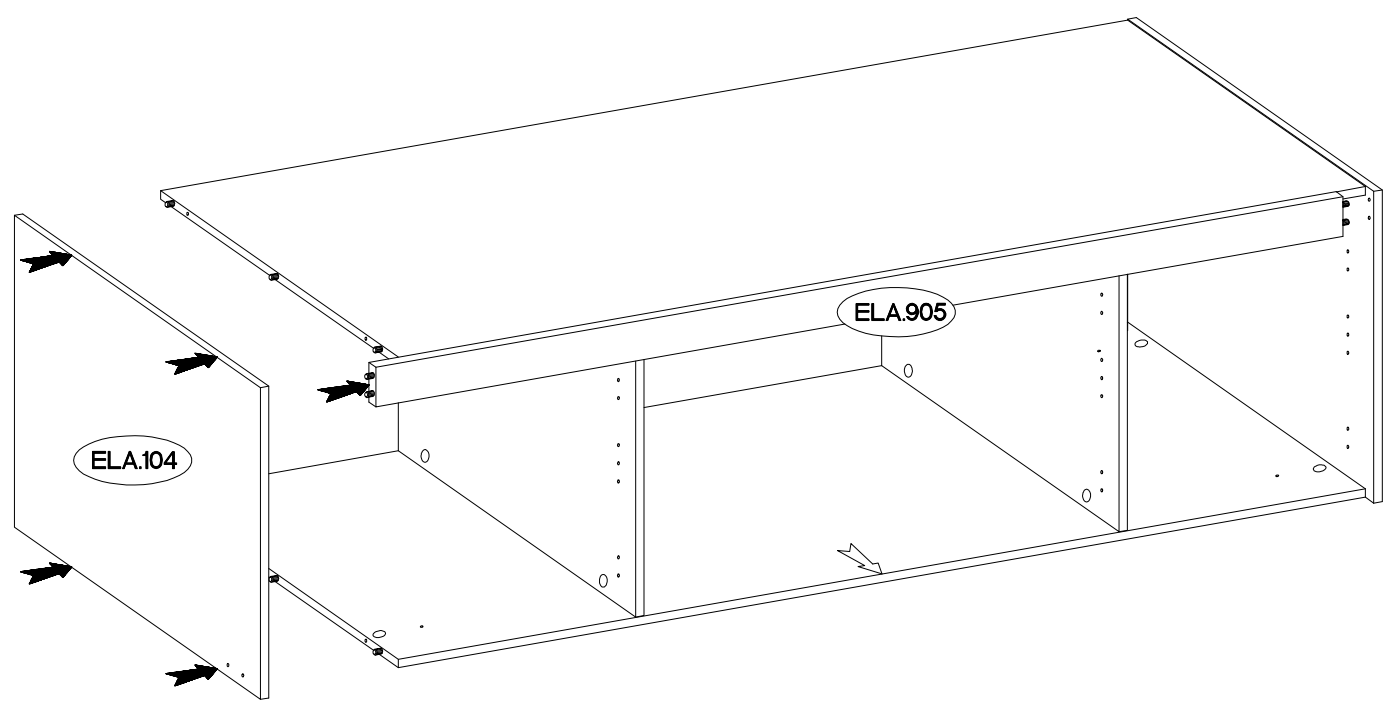
3



4



5



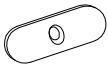
6

±3.0x20mm



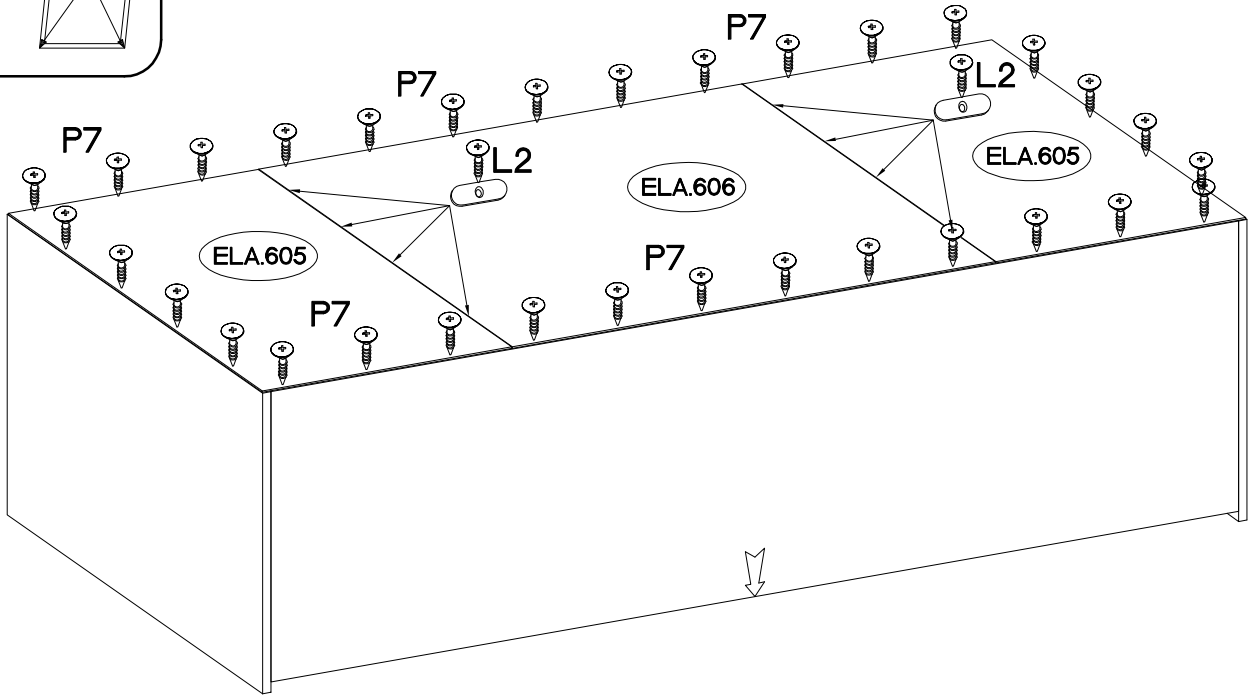
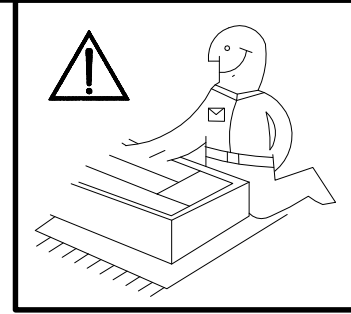
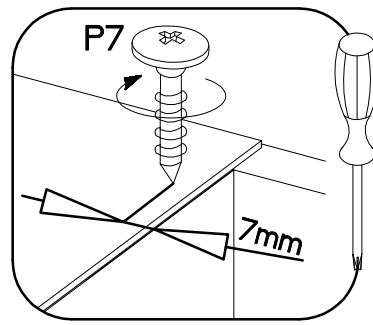
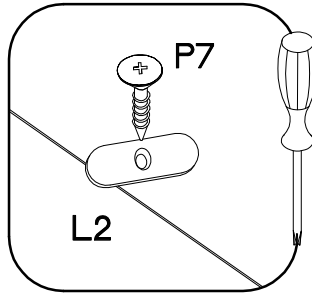
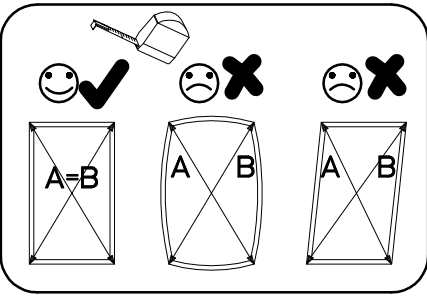
P7

40



L2

6



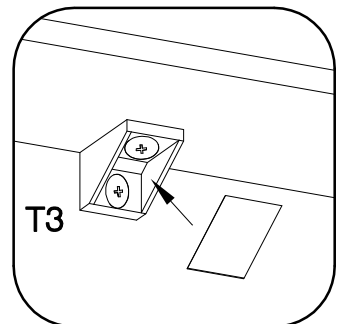
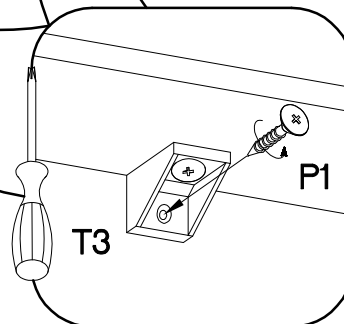
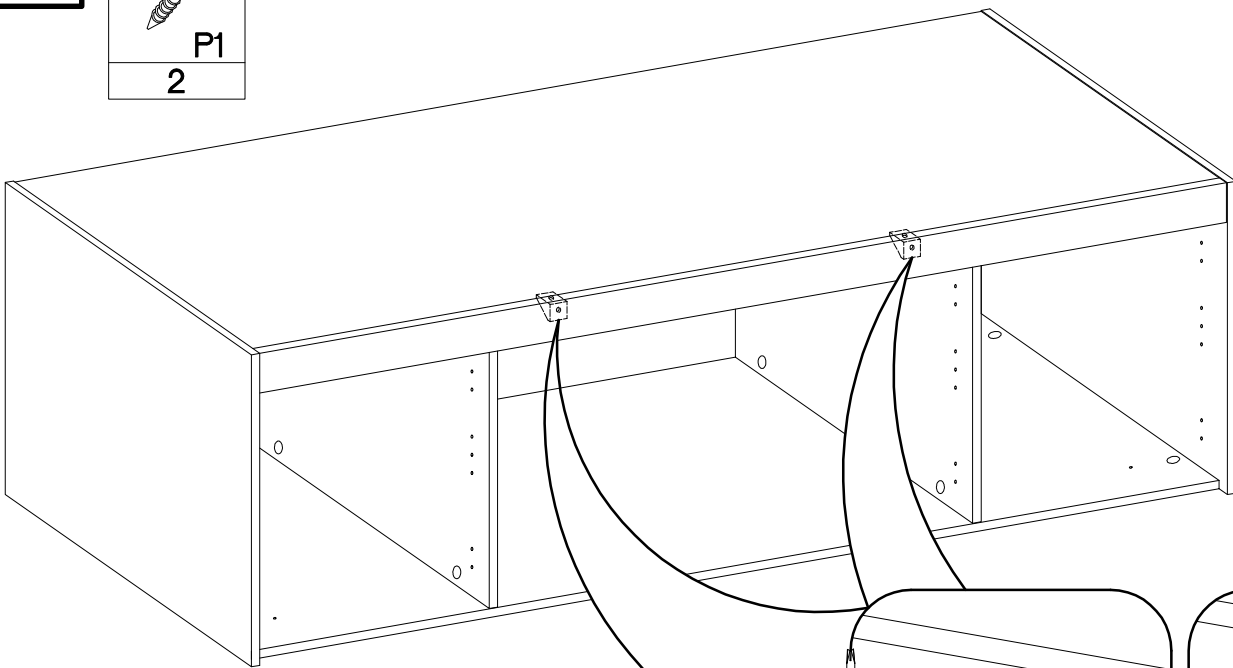
7

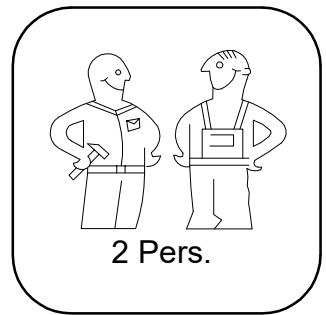
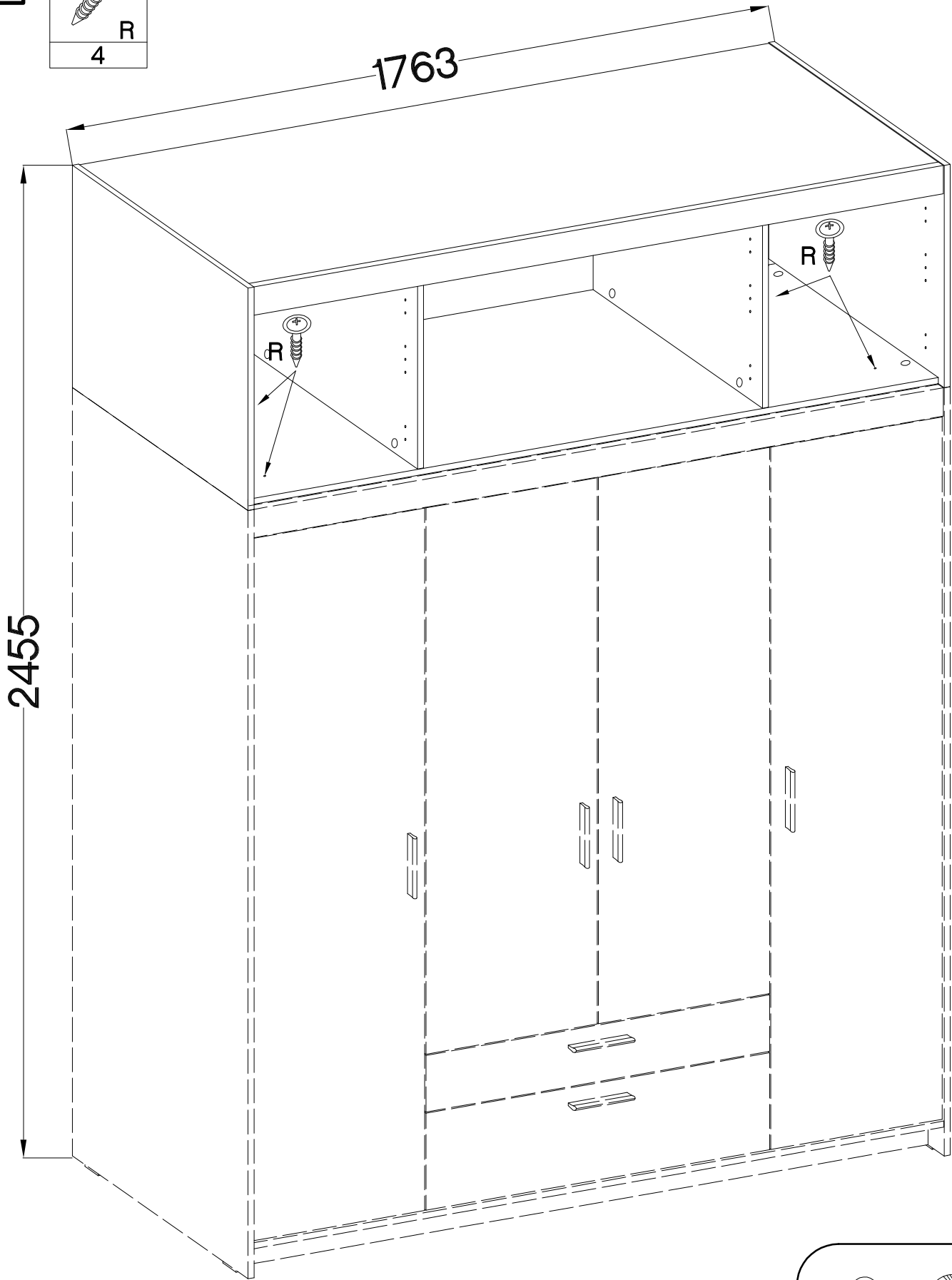
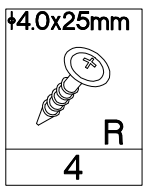
±4.0x16mm



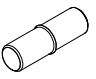

P1

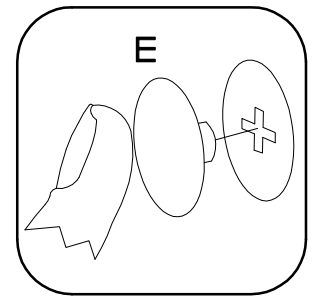
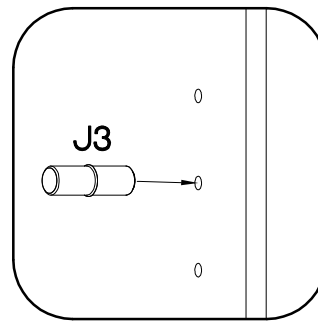
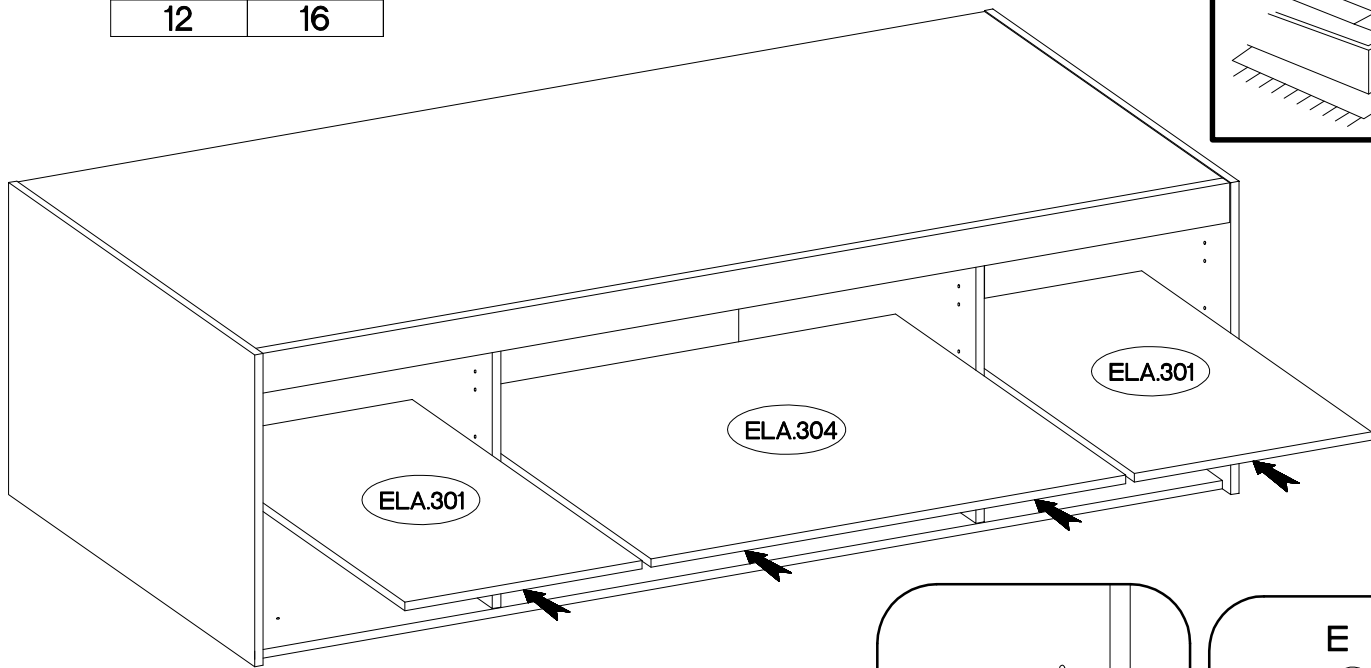
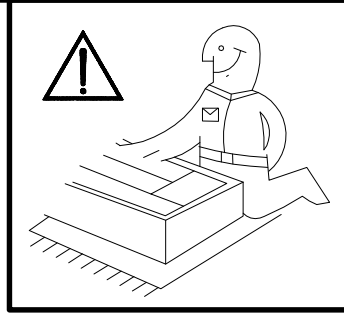
2



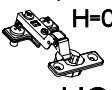




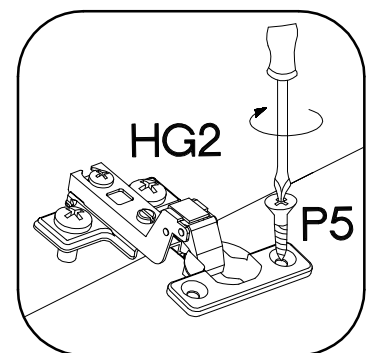
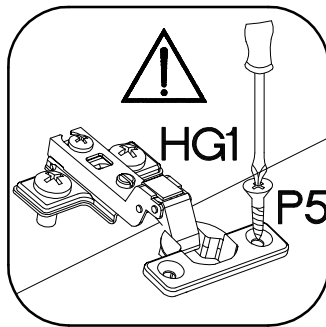
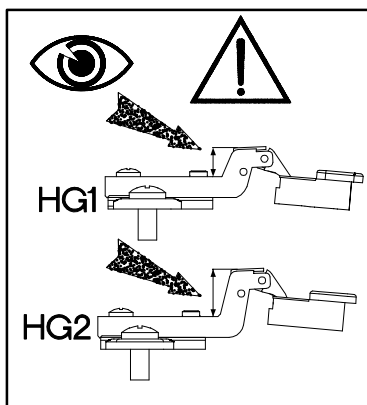
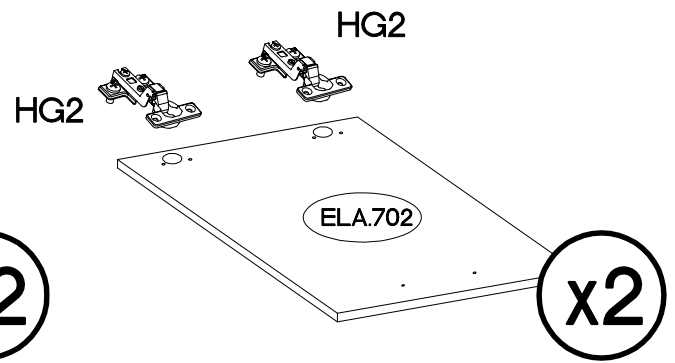
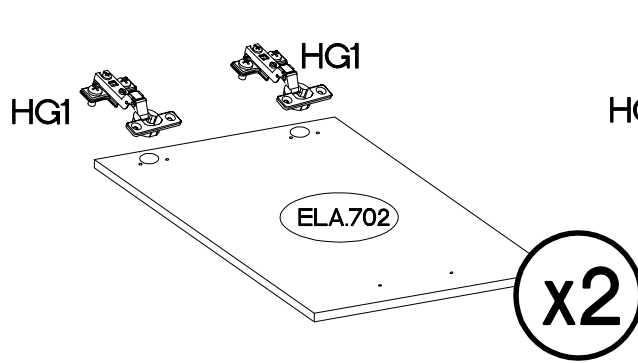
9

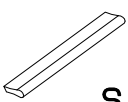

$\pm 5/16\text{mm}$ 	
J3 12	E 16



10

$\pm 35/9\text{mm}$ 	$\pm 35/16\text{mm}$ 	$\pm 3.5 \times 13\text{mm}$ 
HG1 4	HG2 4	P5 16



L=128mm	4.0x30mm
	
S	R2
4	8

