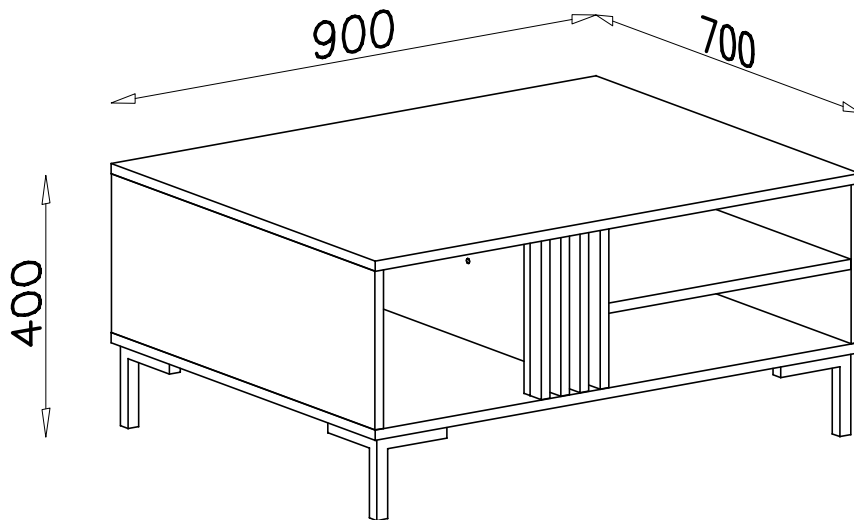
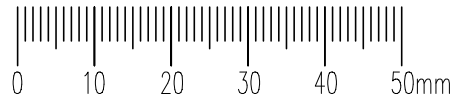
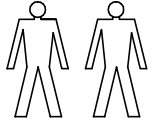
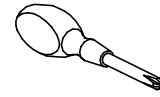
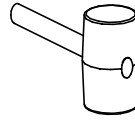
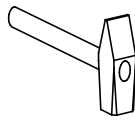
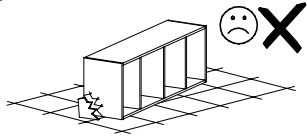
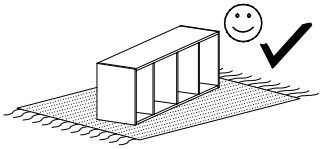




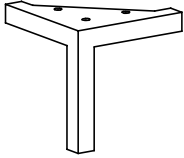
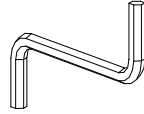


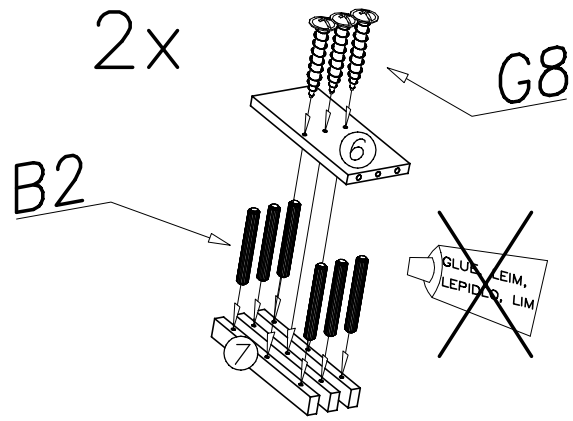


ALLMO AL 14

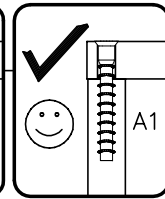
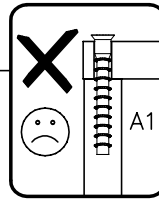
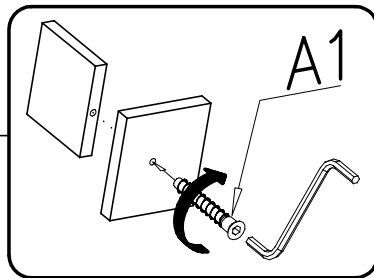
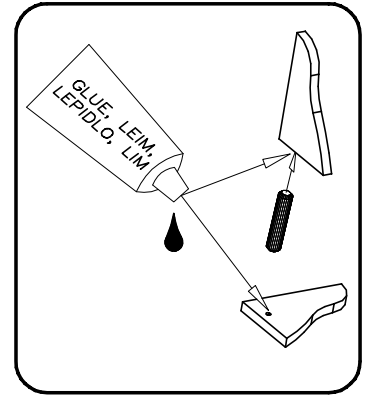
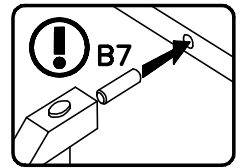
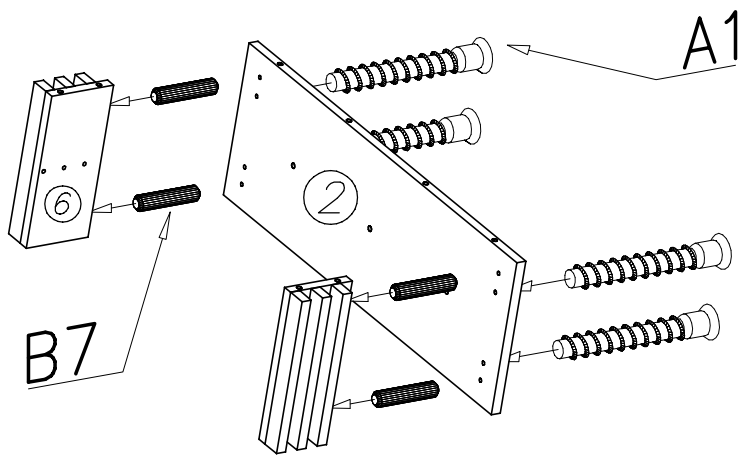


<p>A1</p>  <p>ø7x50 x21</p>	<p>B7</p>  <p>ø8x30 x44</p>	<p>G8</p>  <p>4x30 x6</p>	<p>G44</p>  <p>6x16 x12</p>	<p>P13</p>  <p>x4</p>
<p>W2</p>  <p>x1</p>	<p>W1</p>  <p>GLUE, LEIM, LEPIDLO, LIM x2</p>	<p>B2</p>  <p>ø6x30 x12</p>		

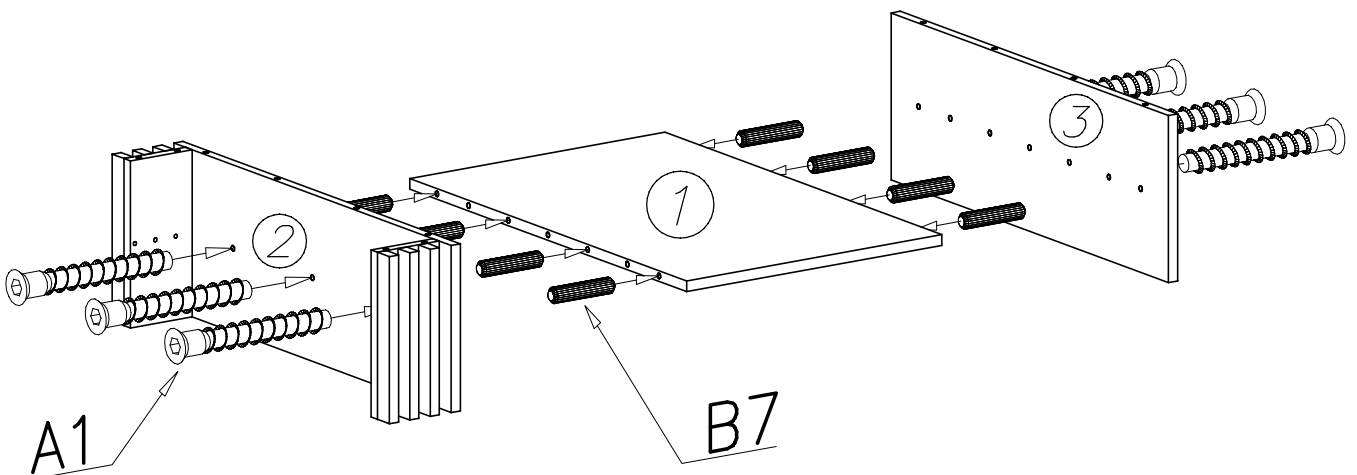
I



II

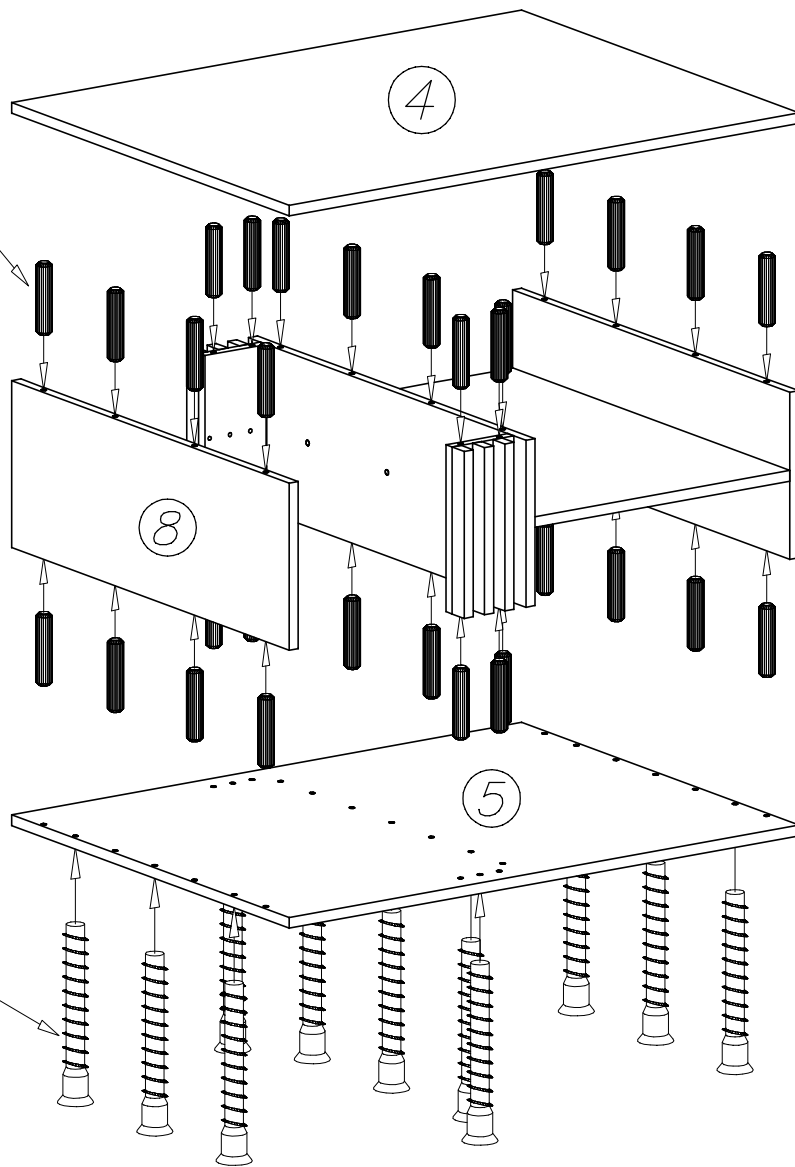


III

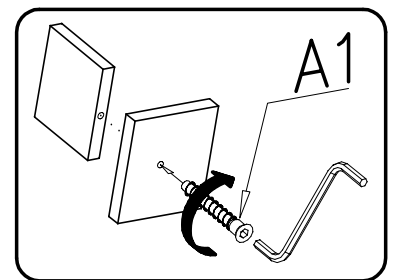
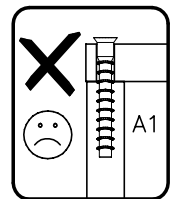
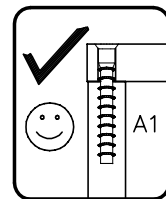
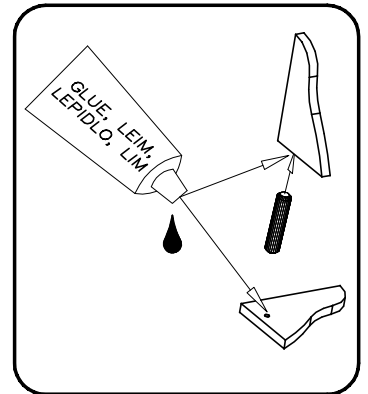
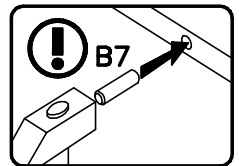


IV

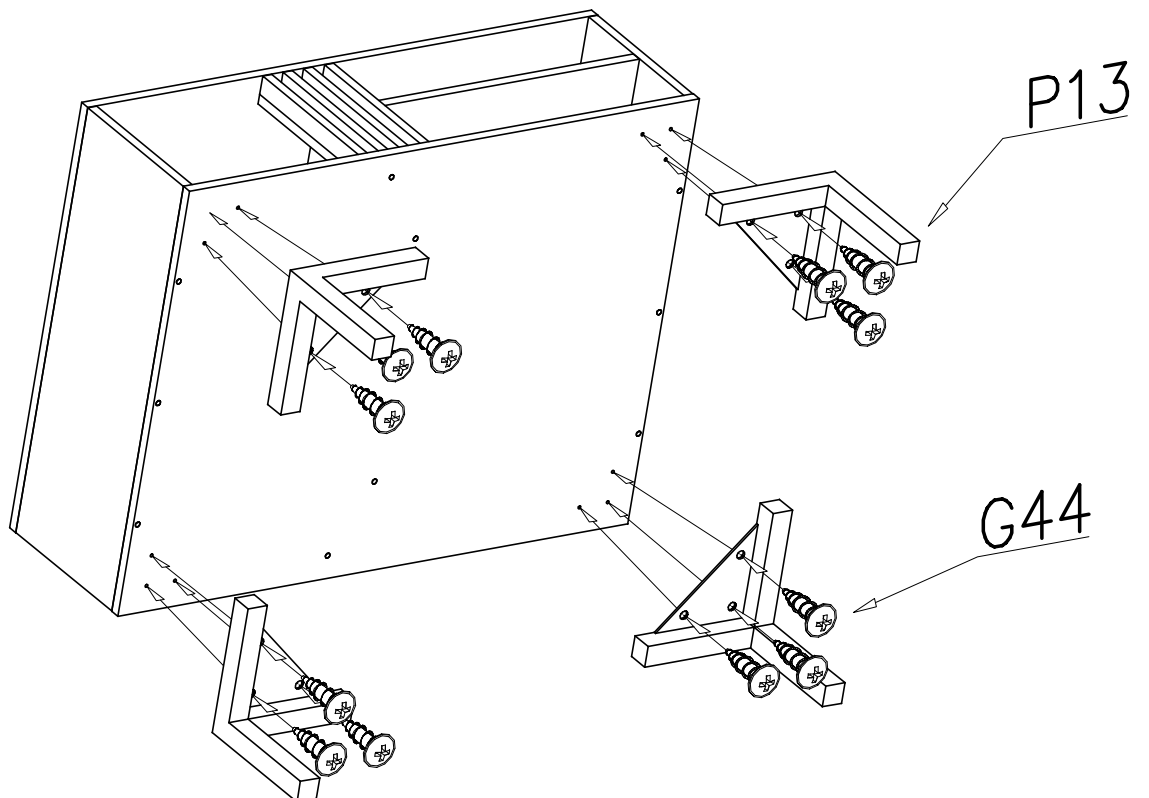
B7



A1



V



P13

G44