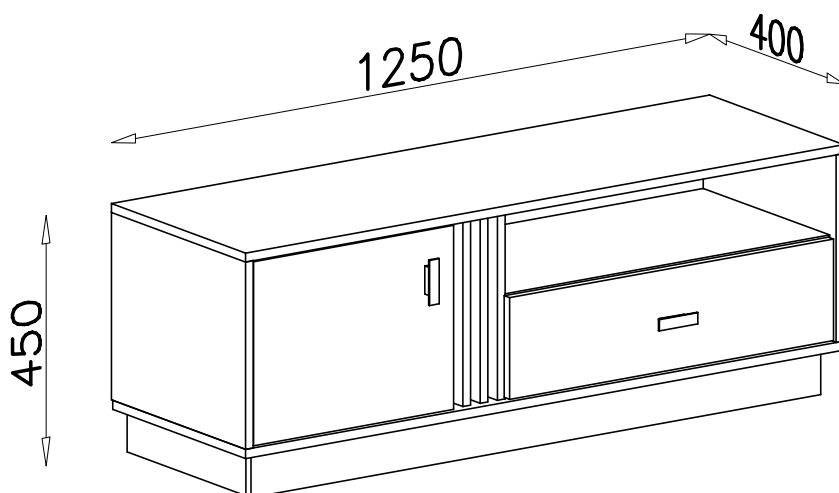
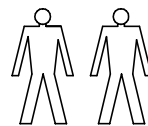
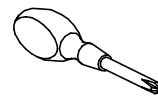
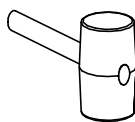
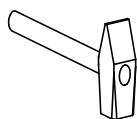
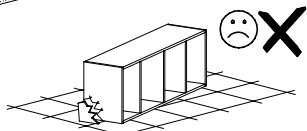
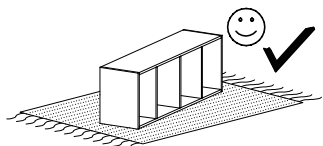
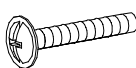
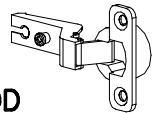
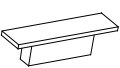
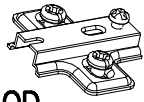


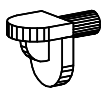
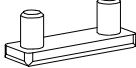
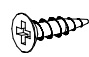


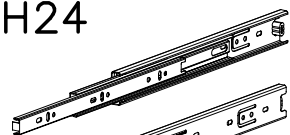


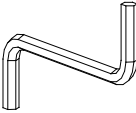

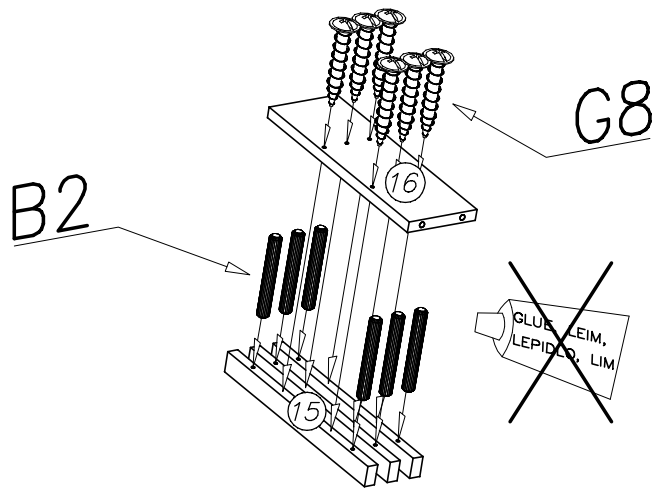


ALLMO AL 5

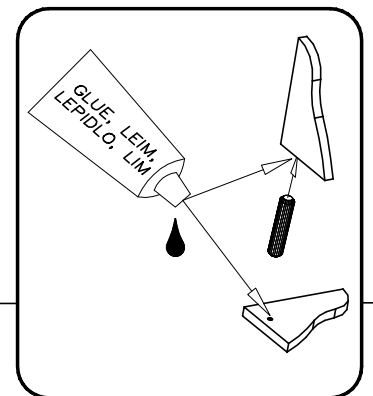
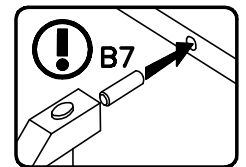
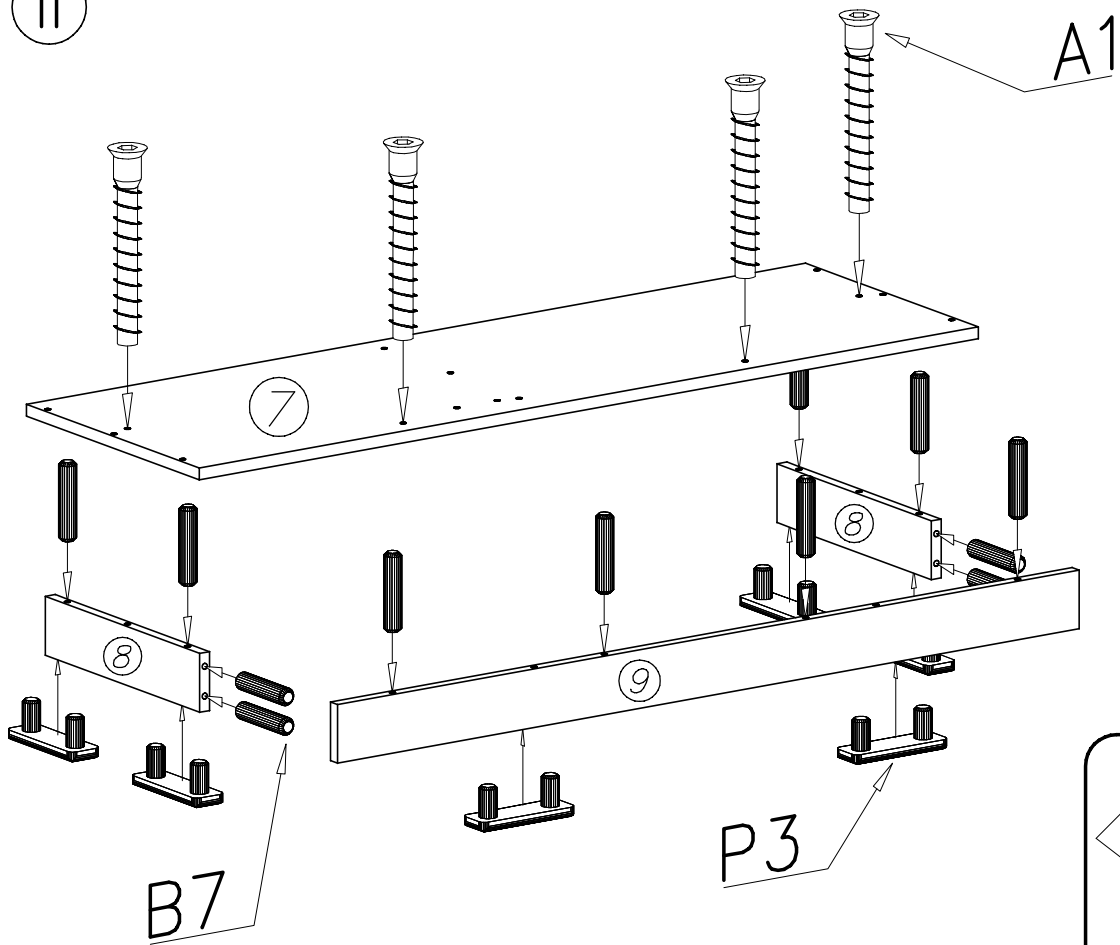


N13  M4x22 x4	C4  Z350D x2			
E11  x2	D4  PZ350D x2	G8  4x30 x6	B2  ø6x30 x6	F1  x1
P3  x6	G4  4x16 x4	G2  3x20 x35	W1  GLUE, LEIM, LEPIDLO, LIM x2	H24  350mm x1
A1  ø7x50 x12	B7  ø8x30 x45	W2  x1	G1  4x13 x10	

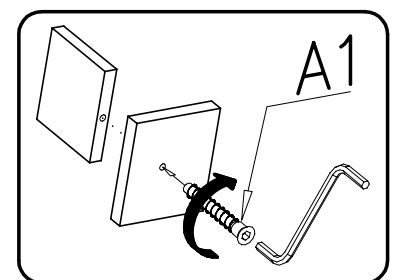
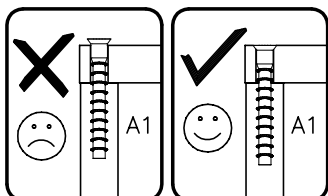
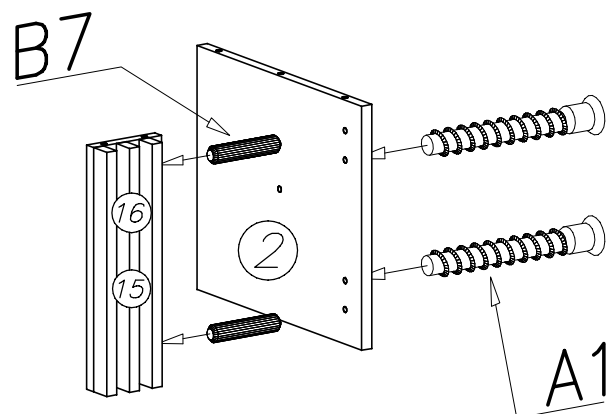
I



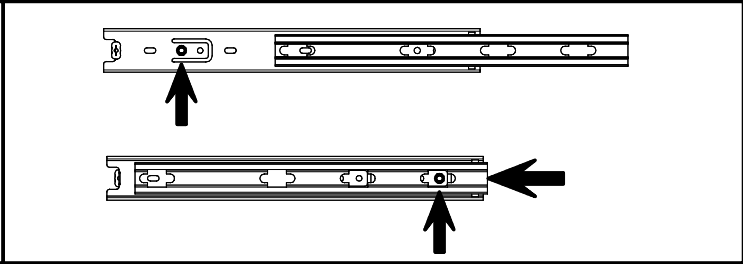
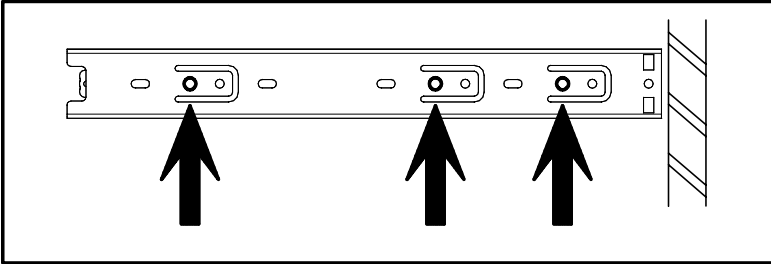
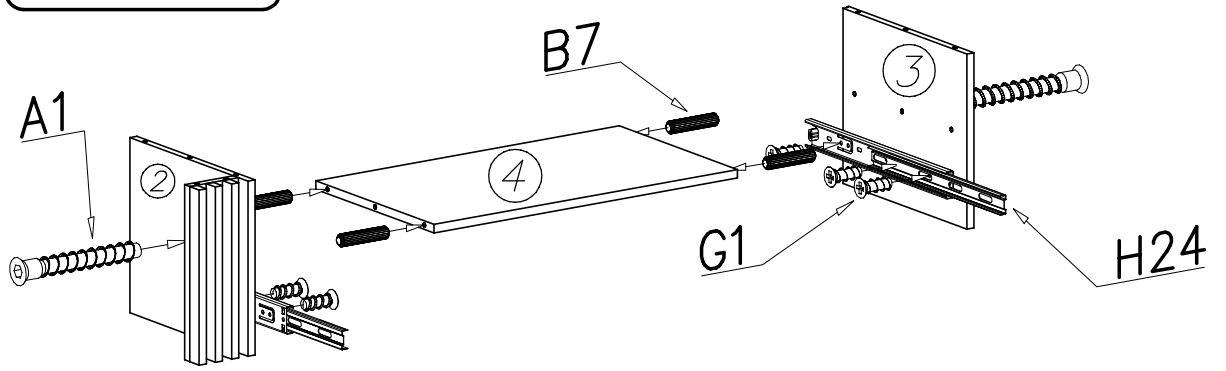
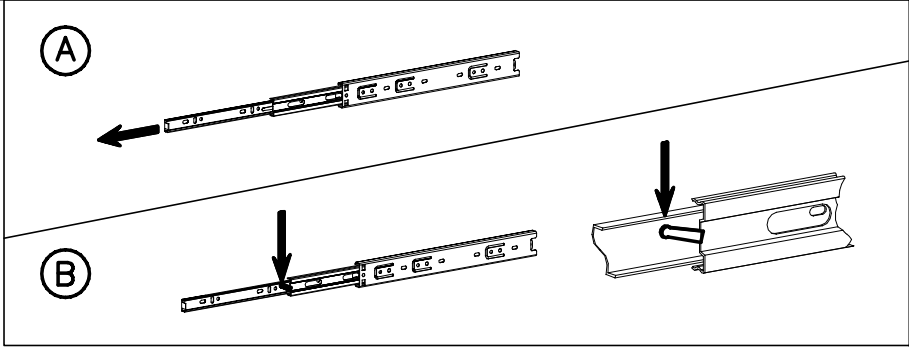
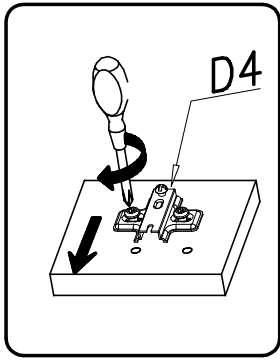
II



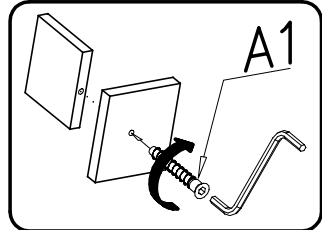
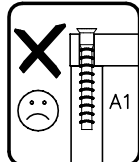
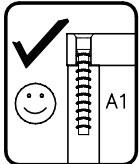
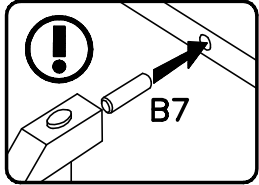
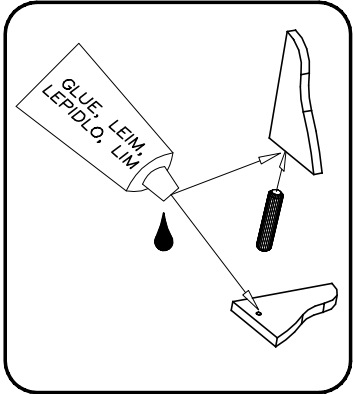
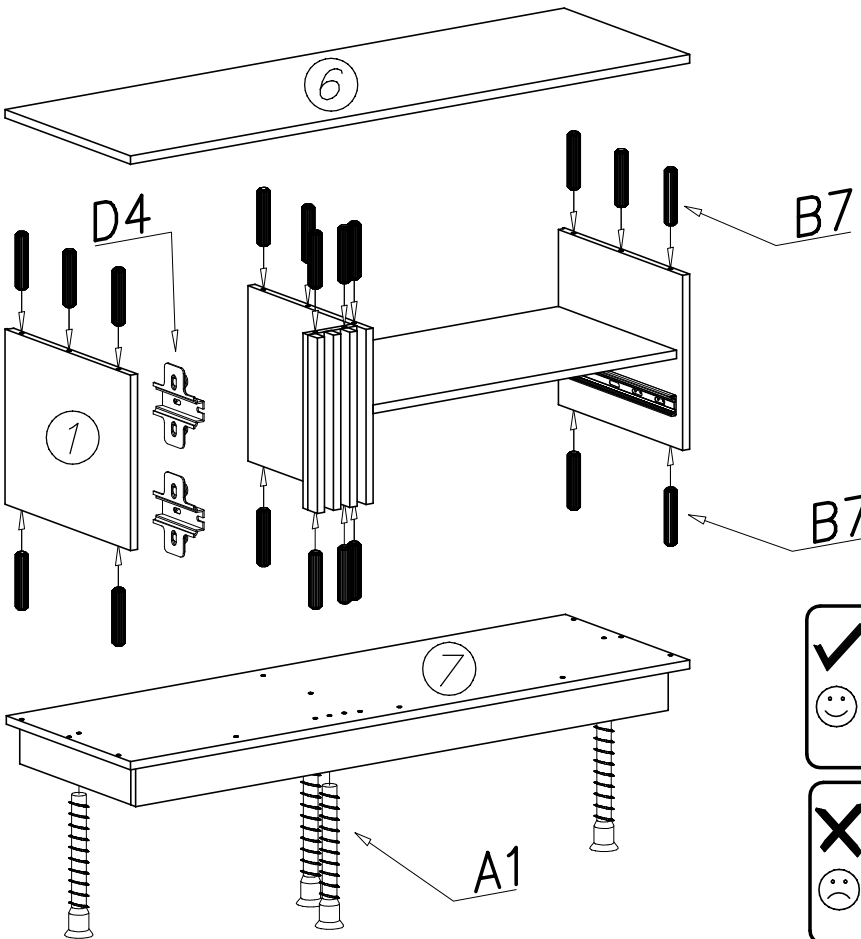
III

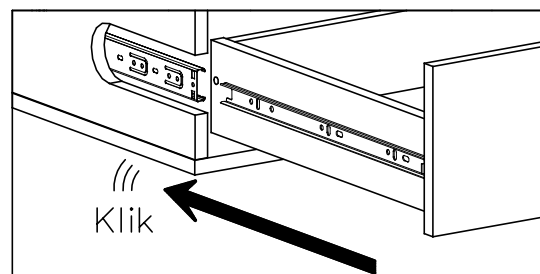
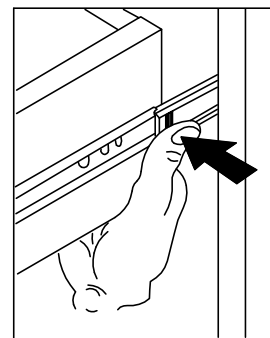
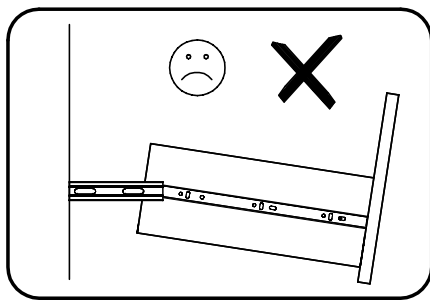
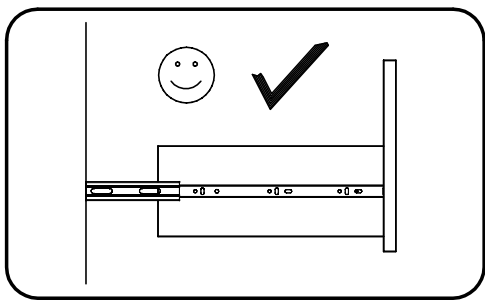
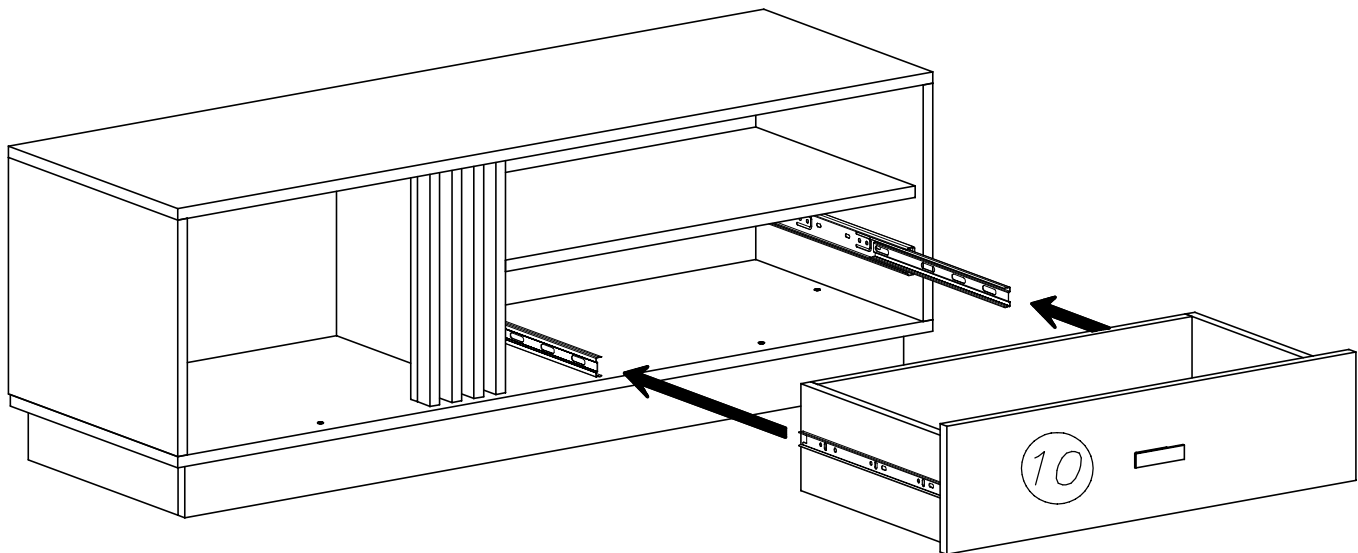


IV



V





IX

