

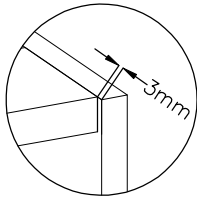


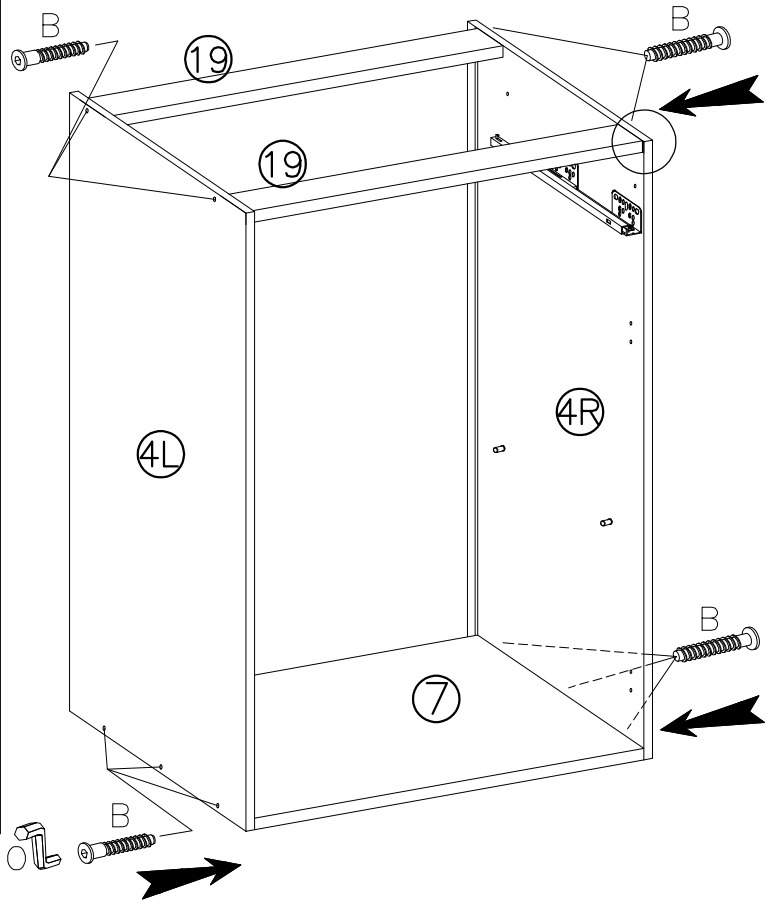
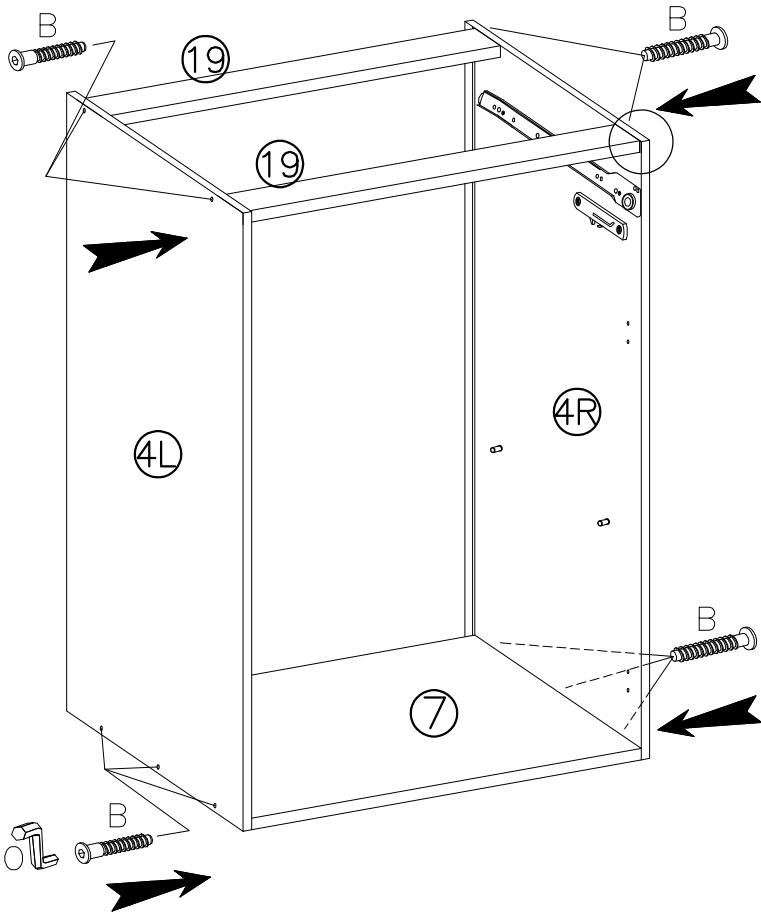
3

	
B	O
10	1


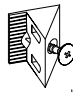

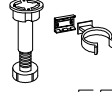


BASIC

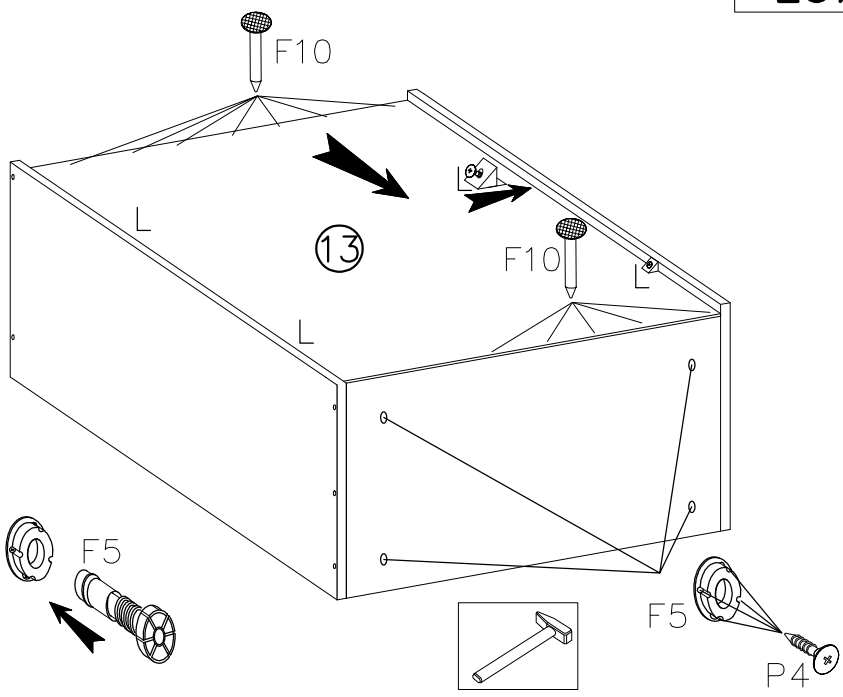
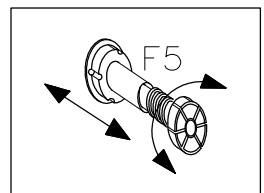
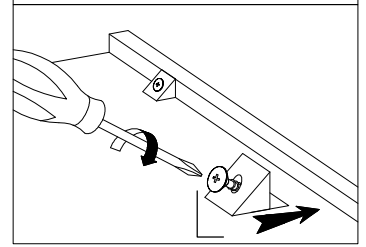
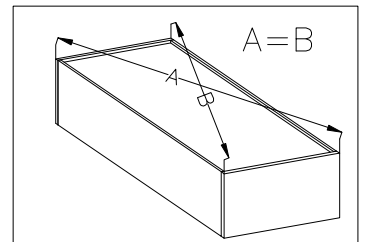
LUX



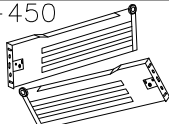


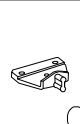
4

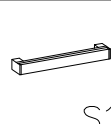

		$\varnothing 3.5 \times 16 \text{mm}$ 	
F10	L	P4	F5
14	4	16	4+2

BASIC
+
LUX



5

L-450  1KPL	PR 	∅3.5x16mm  P4 20	 C3 2
---	--	---	---

 S1 1	M4.0x27mm  R2 2
---	---

BASIC

