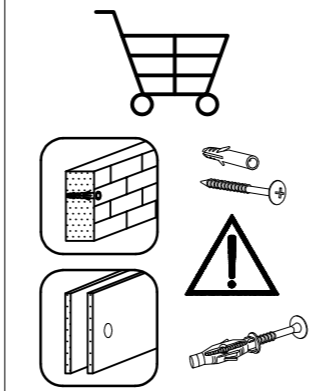
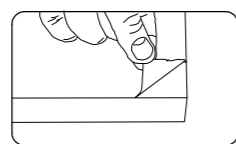
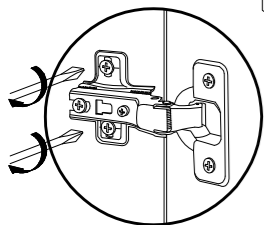
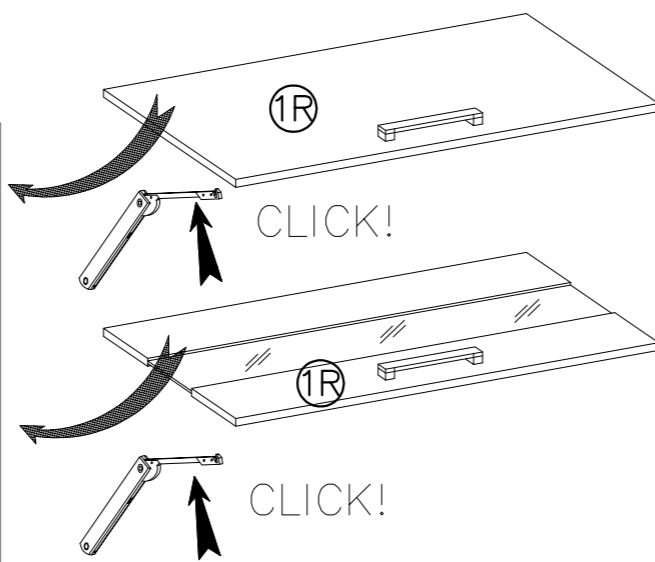
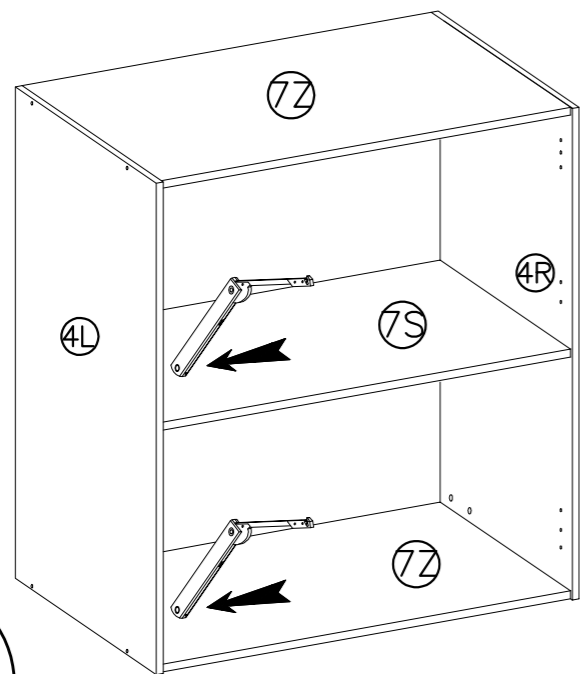
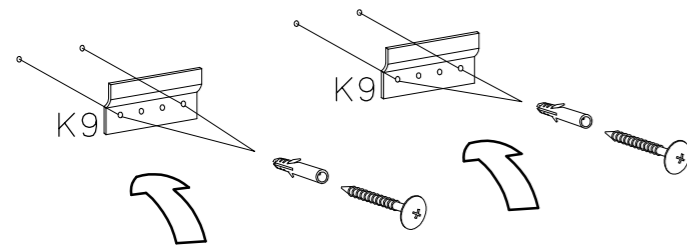
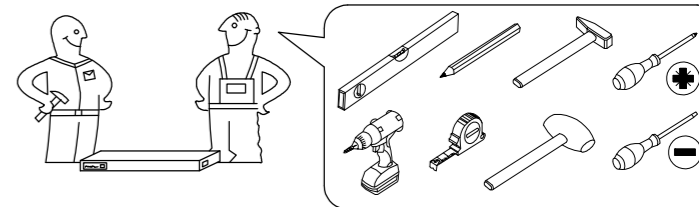


LUX



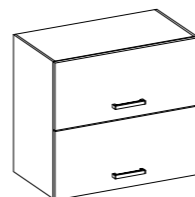
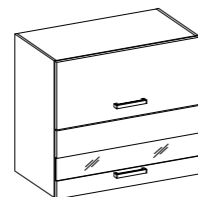
KITCHEN

40G/41G/42G
47G/48G

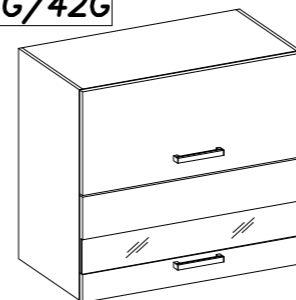


40G/41G/42G

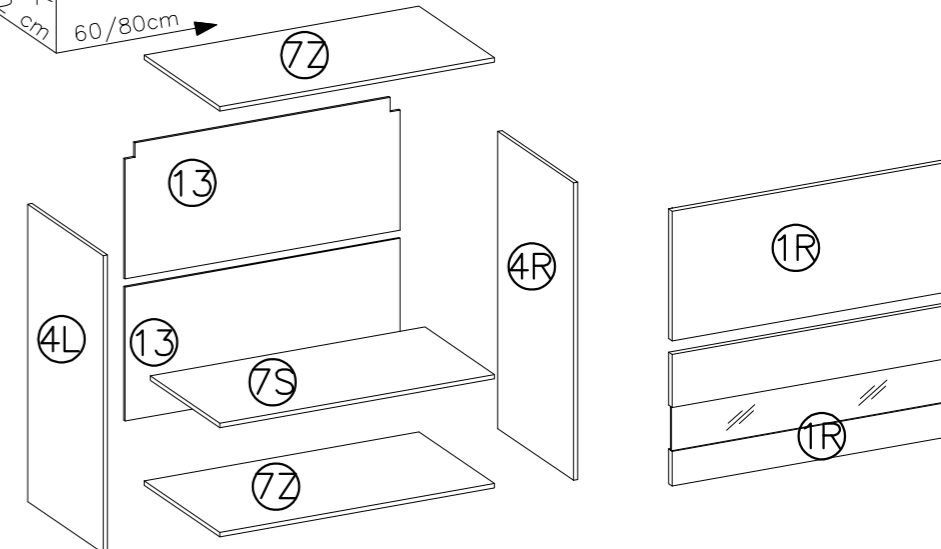
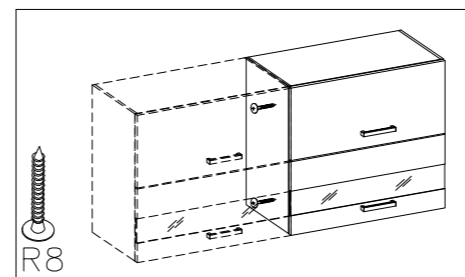
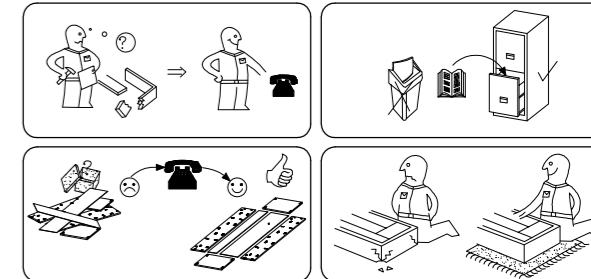
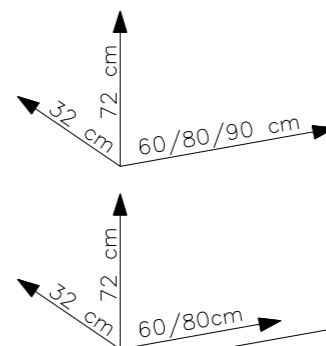
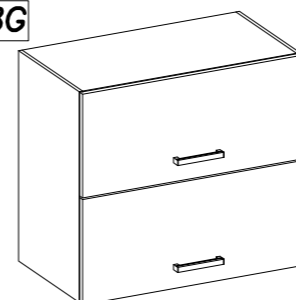
47G/48G



40G/41G/42G



47G/48G



Package No 1

Package No 2

Package No 3

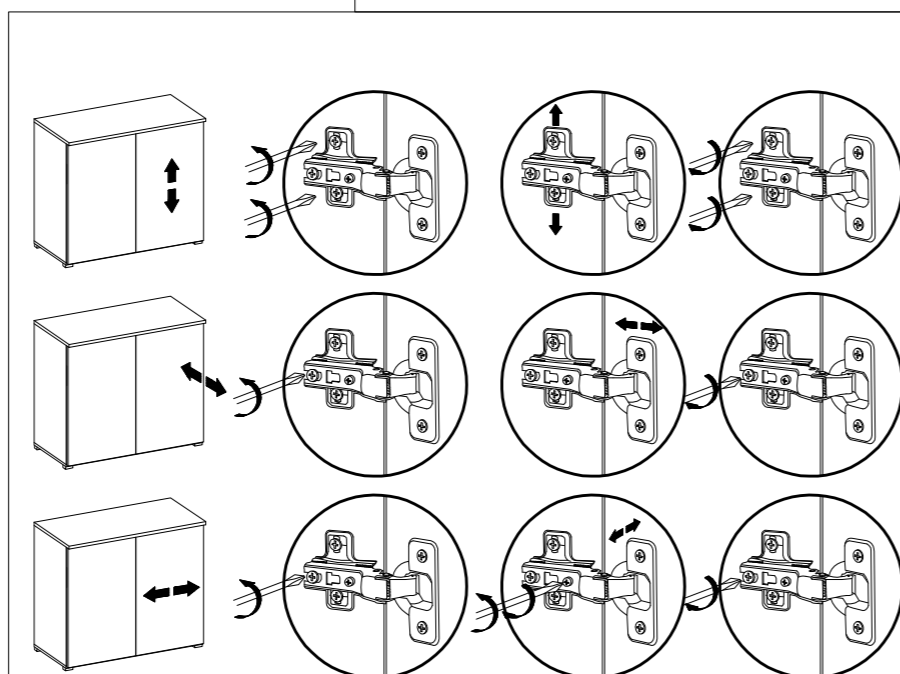
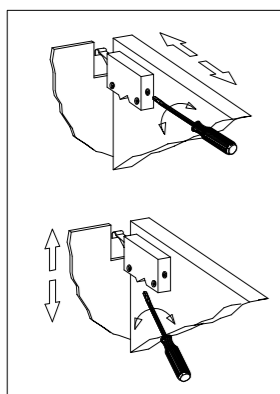
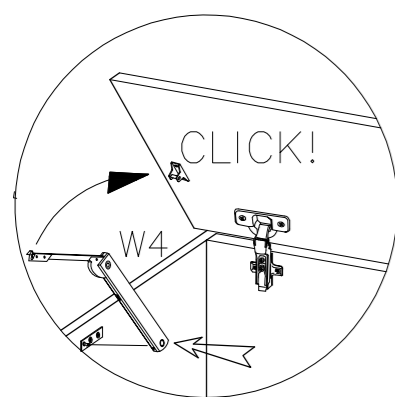
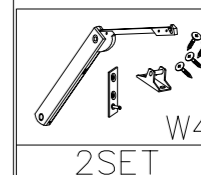
4L 720x300	4R 720x300
7Z 40G/47G-568x300 41G/48G-768x300 42G-868x300	7S 40G/47G-568x280 41G/48G-768x280 42G-868x280
13 40G/47G-350x583 41G/48G-350x783 42G-350x883	

1R 40G/47G-595x355 41G/48G-795x355 42G-895x355	M4.0x27mm
S1 2	R2 4

BASIC

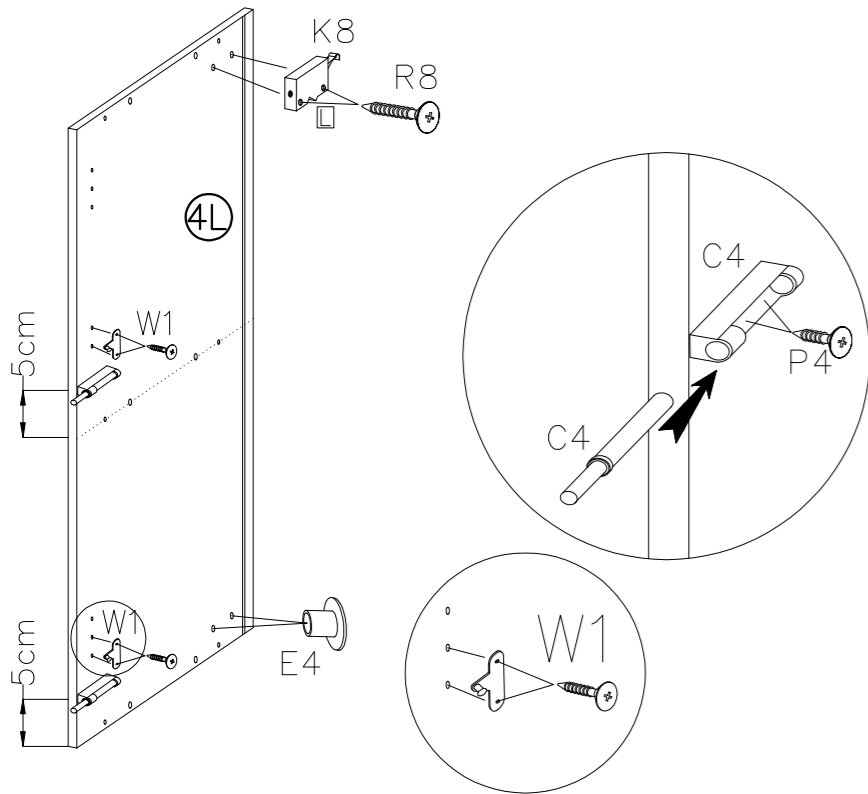
W1 4SET	ø3.5x16mm P4 8	C4 4
---------	----------------	------

LUX

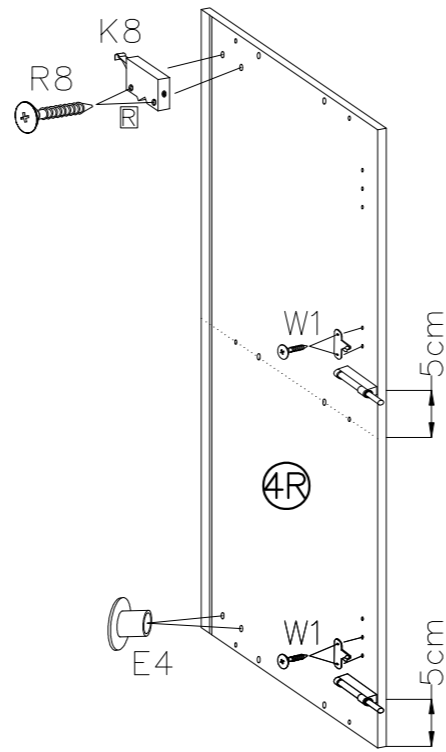


ø8x30mm A 12	B 12	O 1	L 8	ø35/KR-0 G6 2	ø35/KR-8 G8 2
K9 2	K8 1SET	P9 8	R8 6	E4 4	F10 40G-6 41G-8 42G-10
					F8 40G-6 41G-8 42G-10

1	$\varnothing 3.5 \times 16 \text{mm}$ P4 8	$\varnothing 3.5 \times 30 \text{mm}$ C4 4	$\varnothing 3.5 \times 30 \text{mm}$ R8 4	 K8 1	 E4 4	 W1 4SET
---	--	--	--	-------------	-------------	----------------

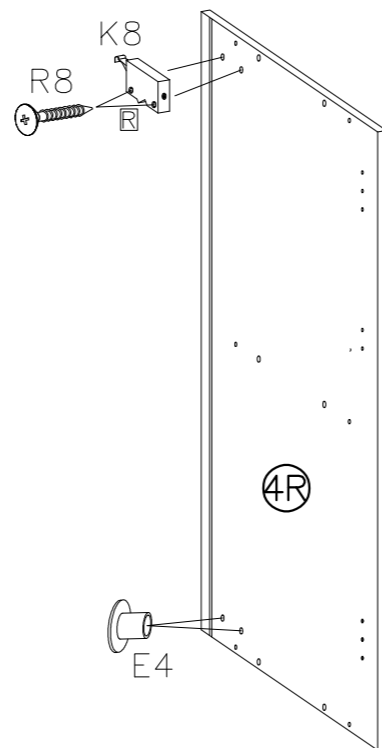
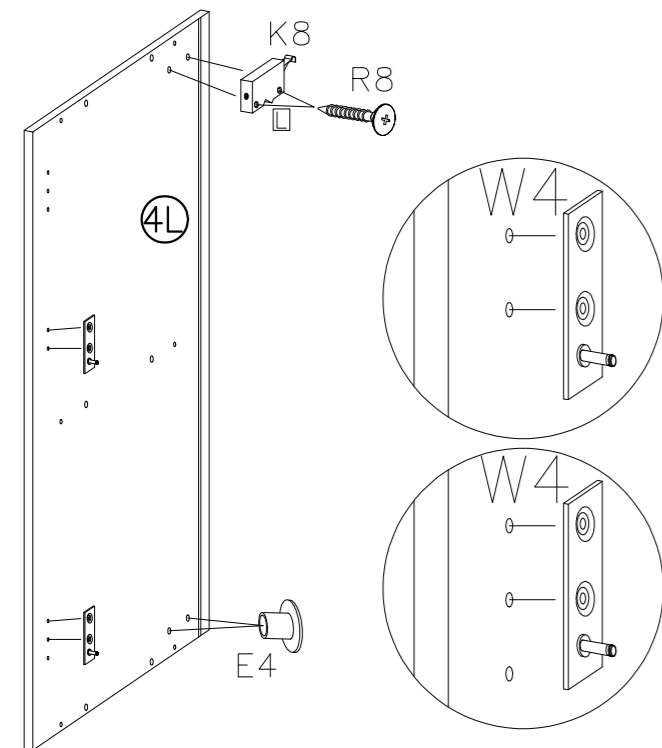


BASIC



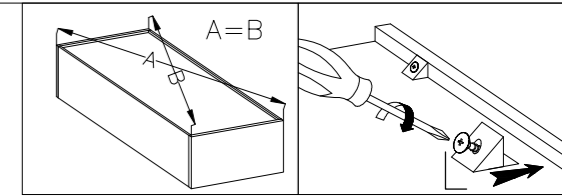
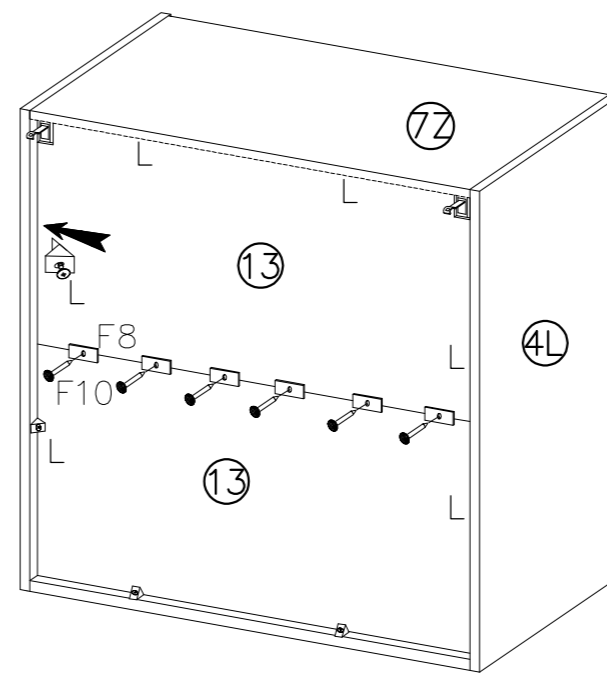
	W4 2SET
--	------------

LUX



6

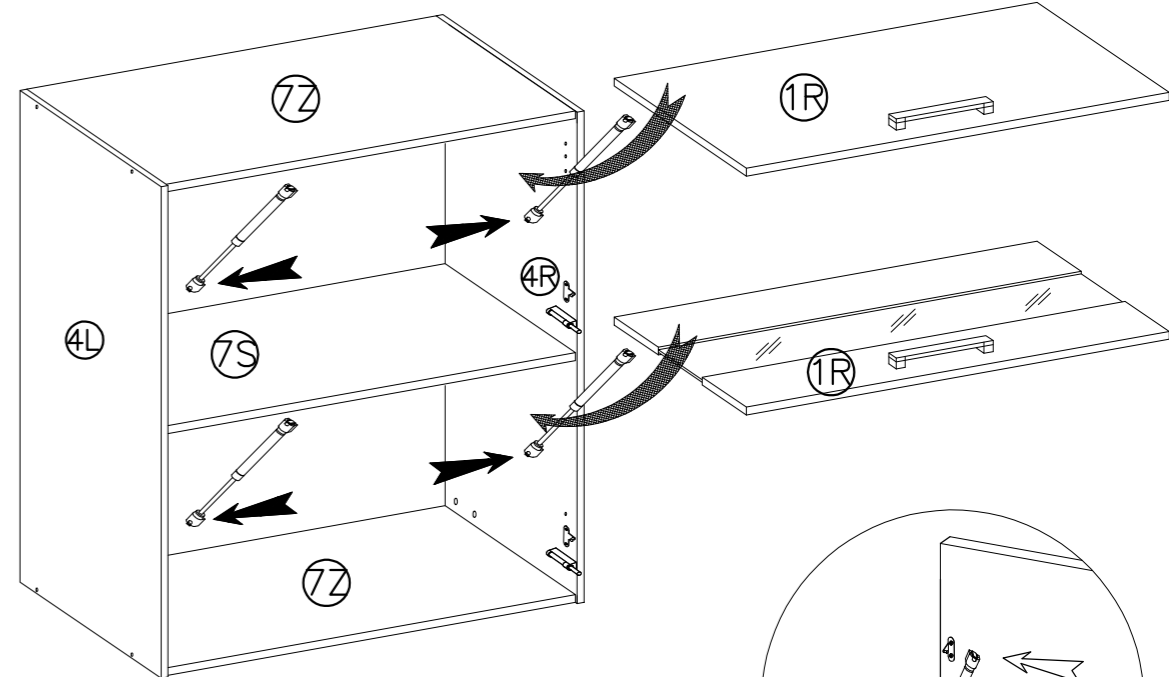
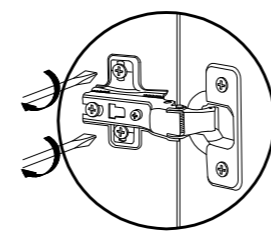
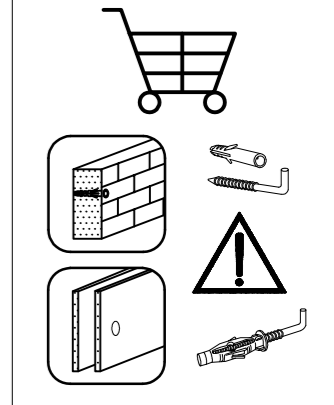
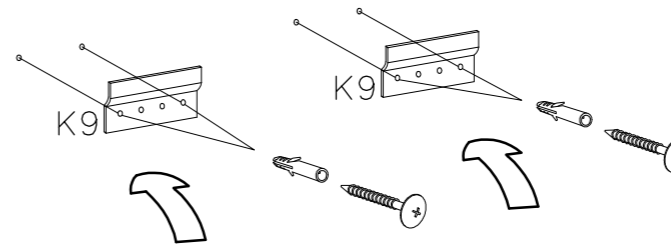
	8
	F8 40G 41G 42G 6 8 10
	F10 40G 41G 42G 6 8 10



7

	K9 2		W1 4SET
--	---------	--	------------

BASIC



40G/41G/42G

47G/48G

