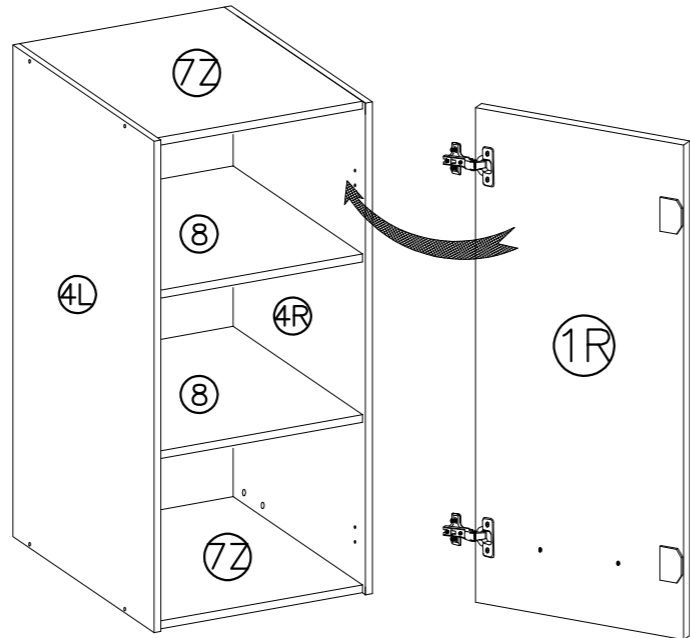
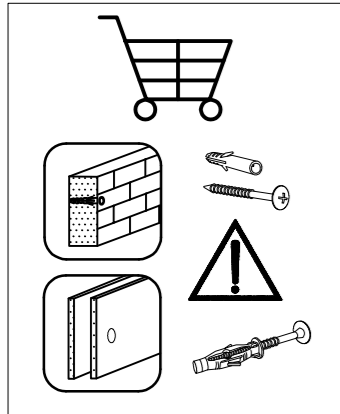
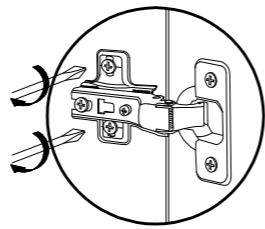
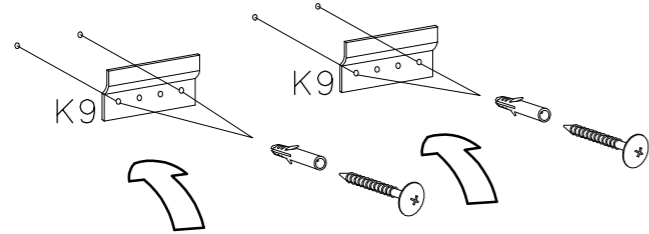
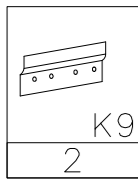
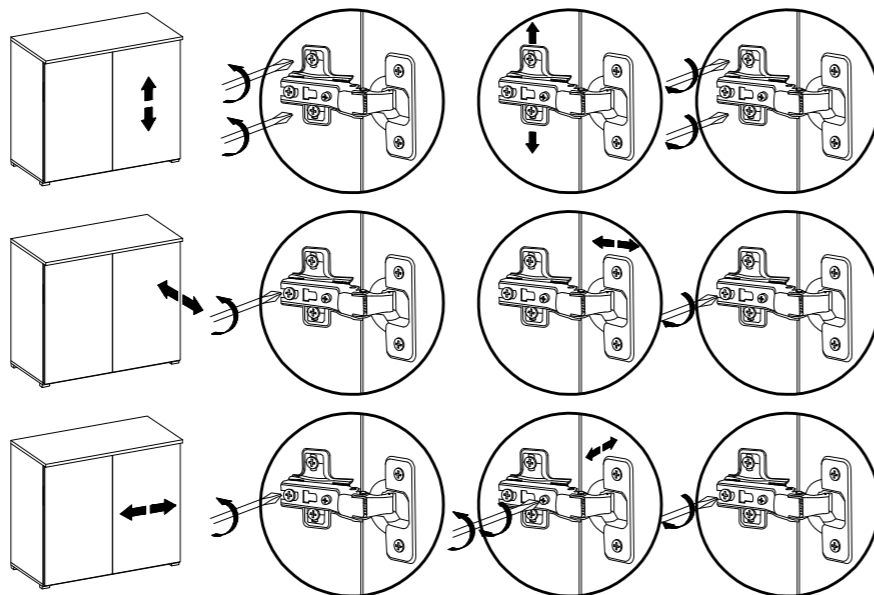
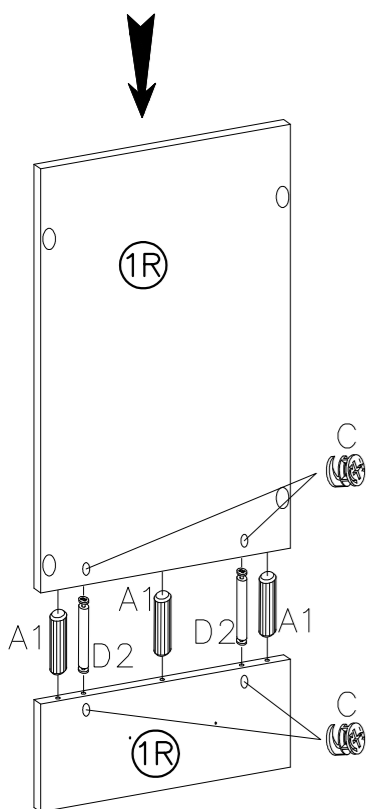
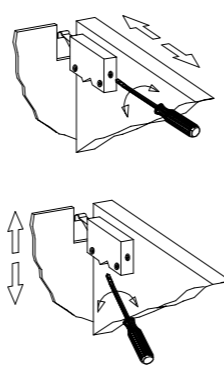
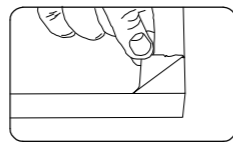
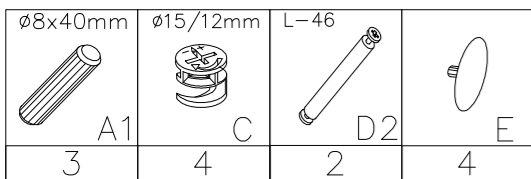


6

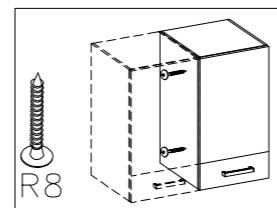
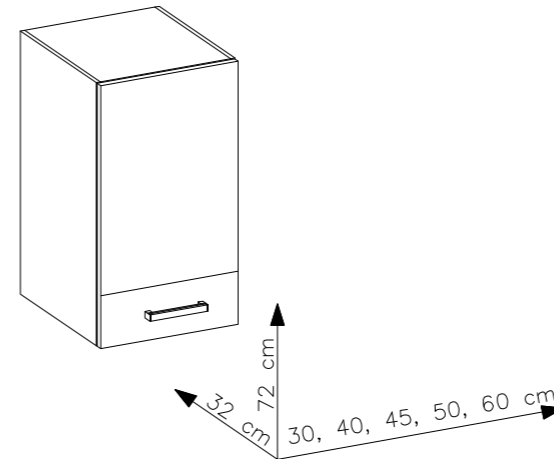
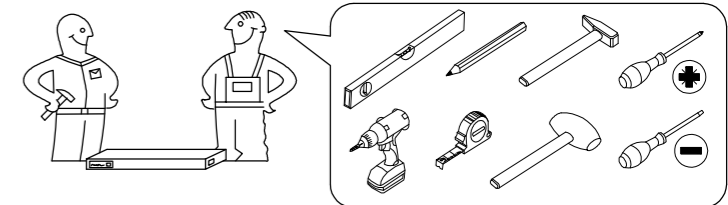


OPTION

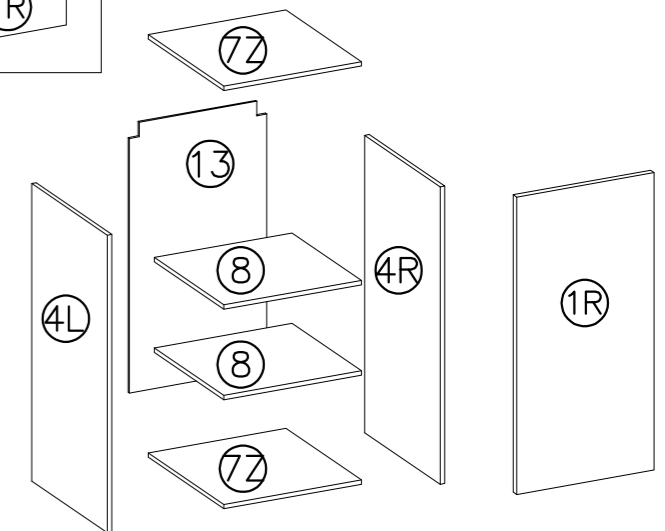
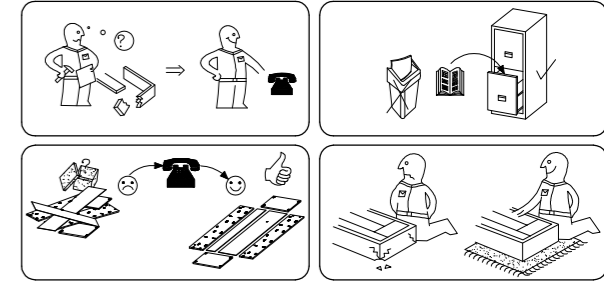
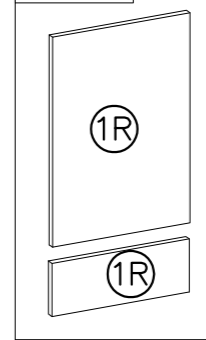


KITCHEN

30G/31G/32G/33G/34G



OPTION



Package No 1

4L	720x300	4R	720x300
7Z	30G-268x300 31G-368x300 32G-418x300 33G-468x300 34G-568x300	8	30G-268x270 31G-368x270 32G-418x270 33G-468x270 34G-568x270
13	30G-703x283 31G-703x383 32G-703x433 33G-703x483 34G-703x583		

Package No 2

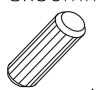


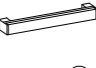


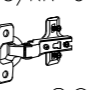

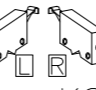

1R	30G-295x716 31G-395x716 32G-445x716 33G-495x716 34G-595x716
S1	M4.0x27mm
1	2

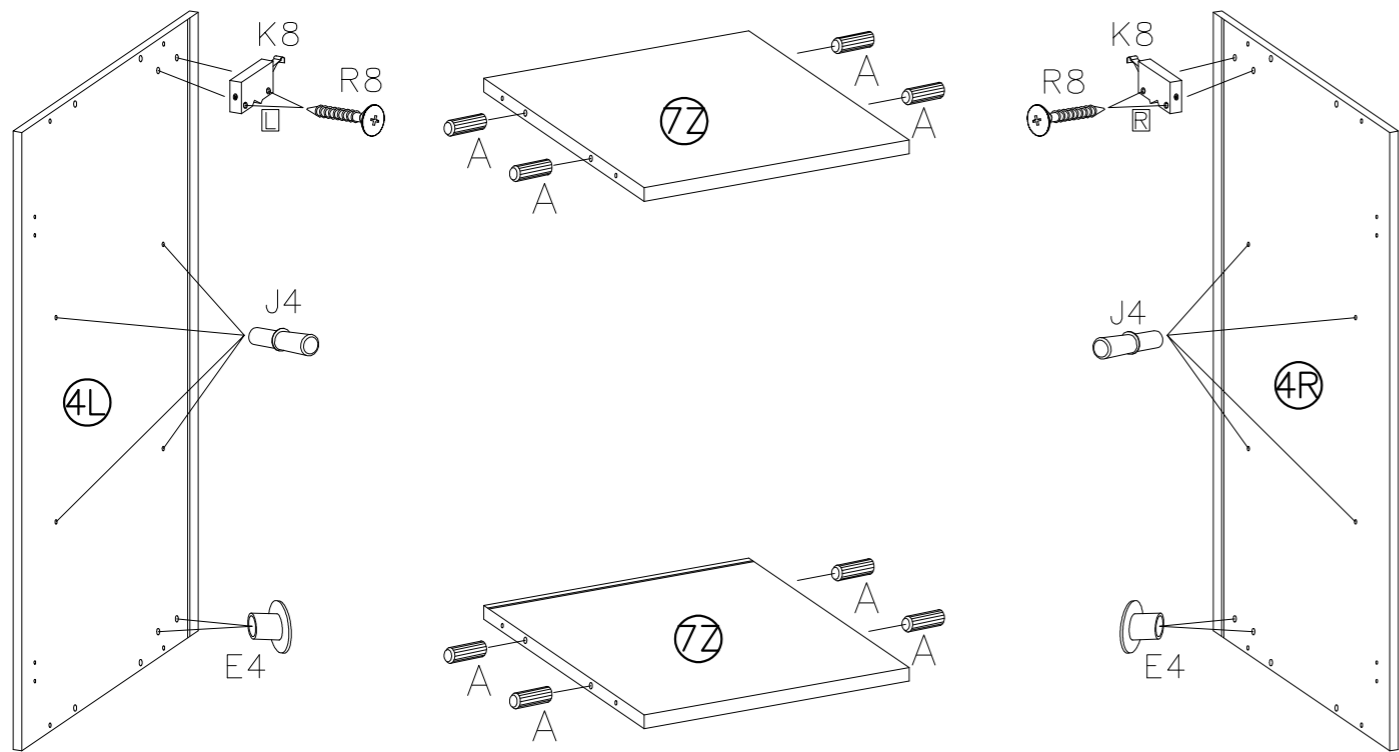
OPTION

OPTION	OPTION	OPTION	OPTION
ø8x40mm	ø15/12mm	L-46	
A1	C	D2	E
3	4	2	4


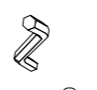
ø8x30mm					ø35/KR-0		
A	B	O	L	J4	G6	E4	E4
8	8	1	6	8	2	2	4
		ø5.0x13mm	ø3.5x30mm				
K9	K8	P9	R8				
2	1	4	6				

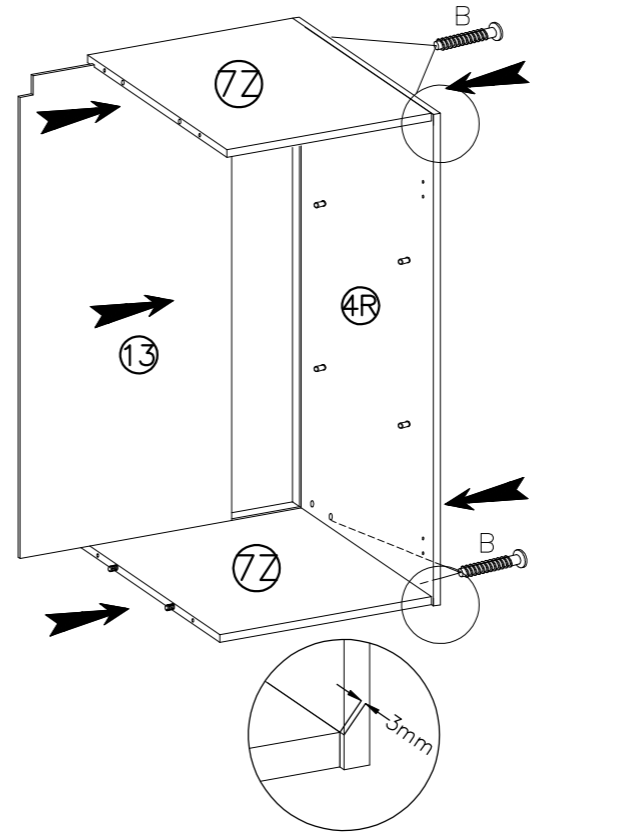
1

 $\varnothing 8 \times 30 \text{mm}$	 $\varnothing 5.0 \times 13 \text{mm}$			 M4.0x25mm		 $\varnothing 35 / \text{KR}-0$	 $\varnothing 3.5 \times 30 \text{mm}$		
A	P9	J4	S1	R2	E4	G6	R8	K8	E4
8	4	8	1	2	2	2	4	1	4

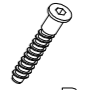
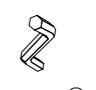


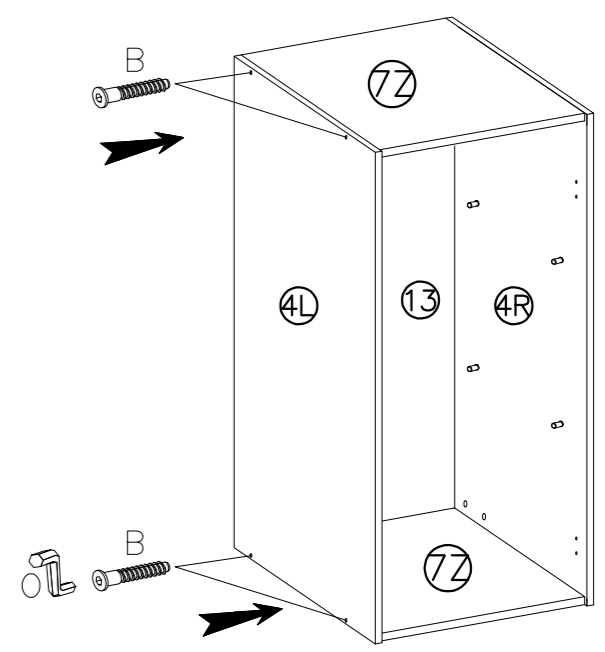
2

	
B	O
4	1

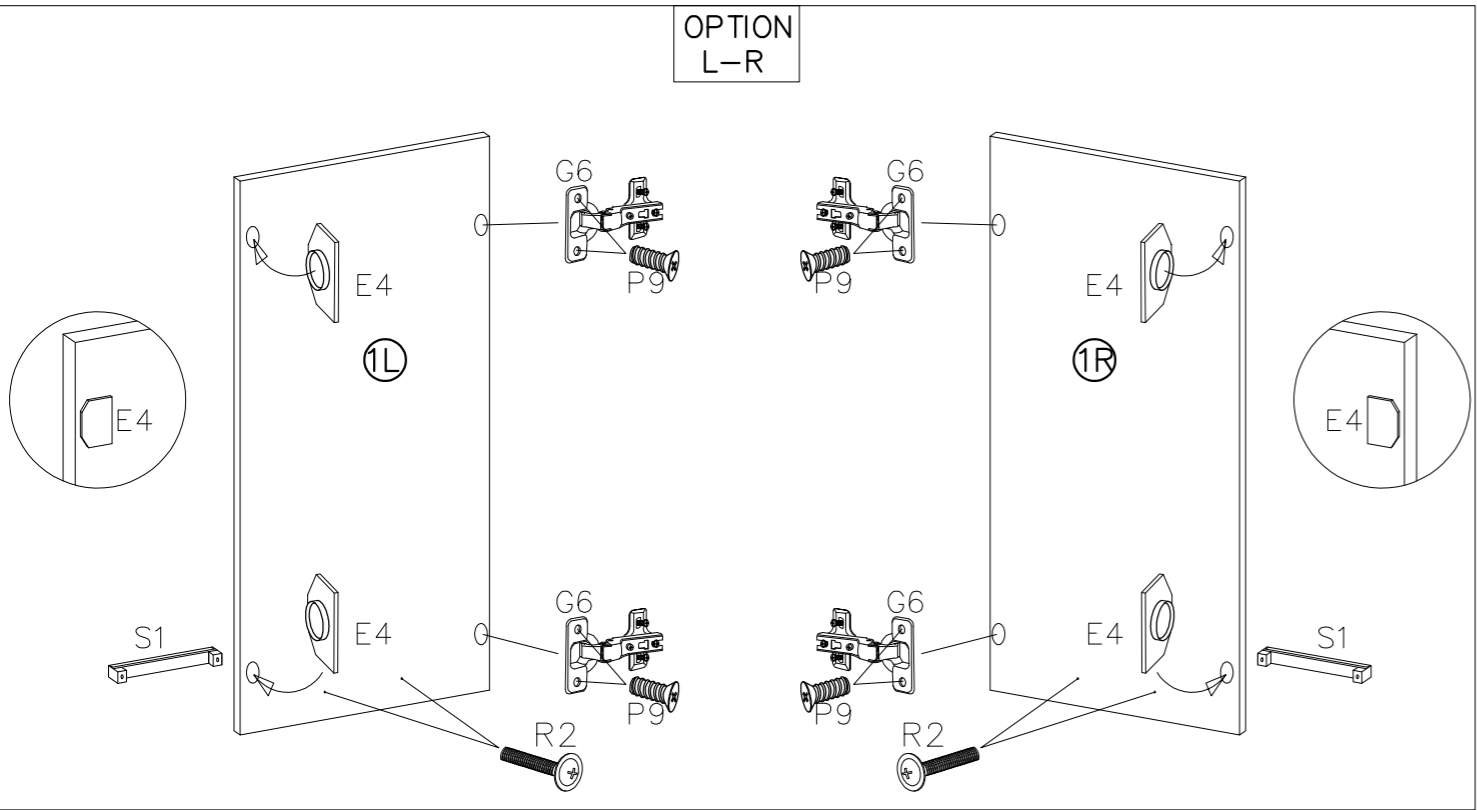


3

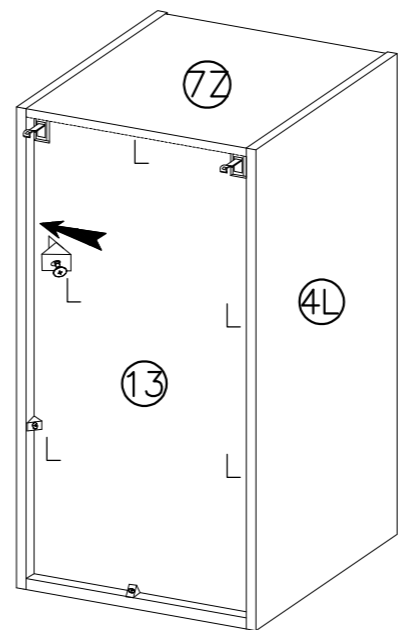
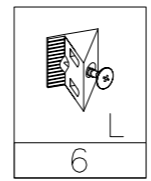
	
B	O
4	1



OPTION
L-R



4



5

