
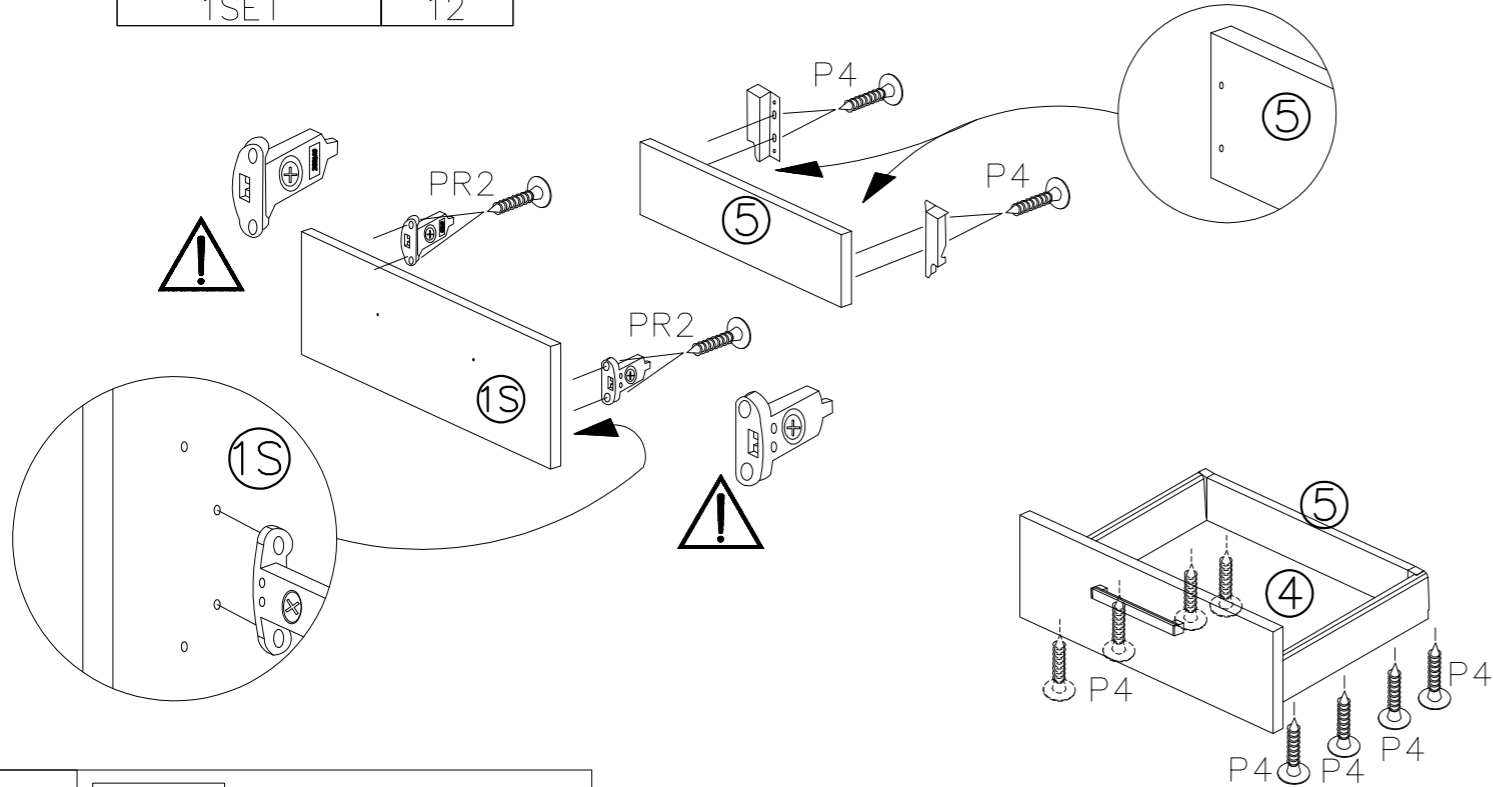
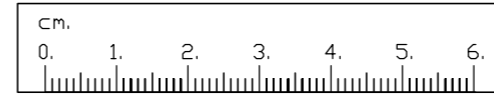
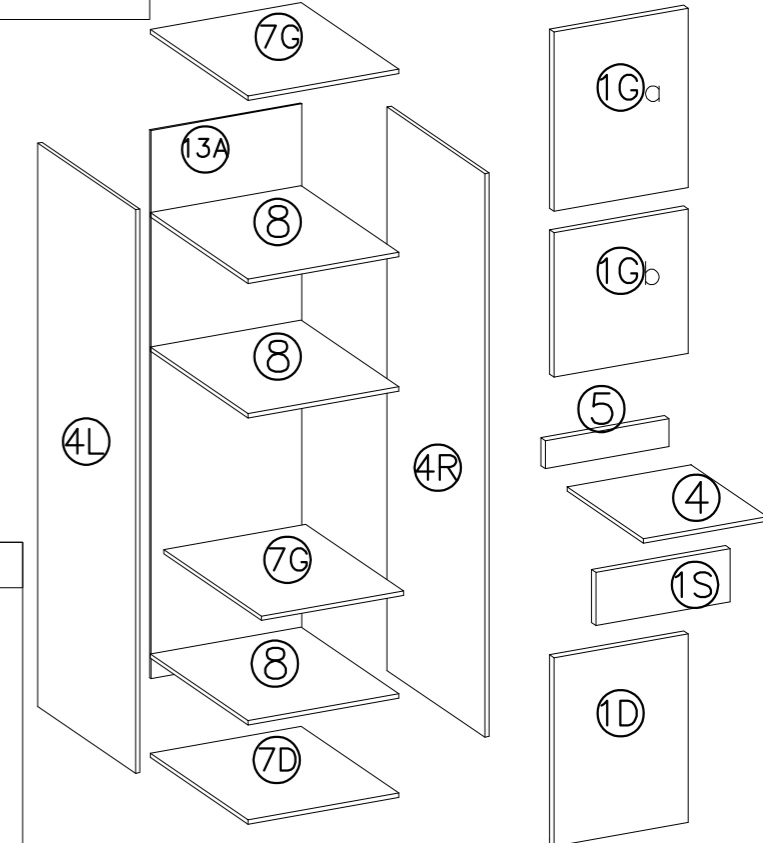
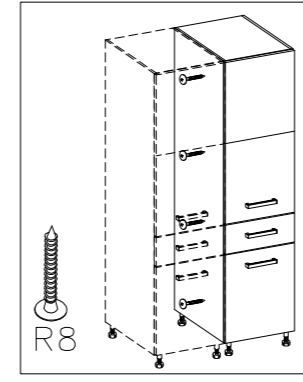
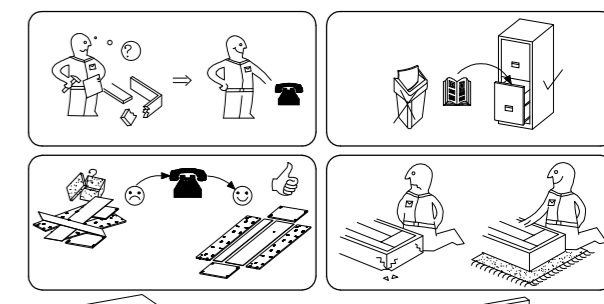
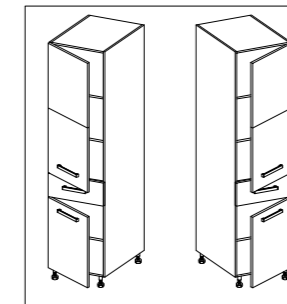
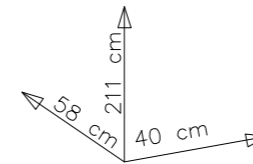
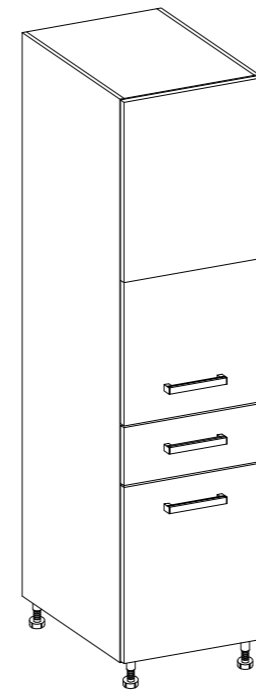
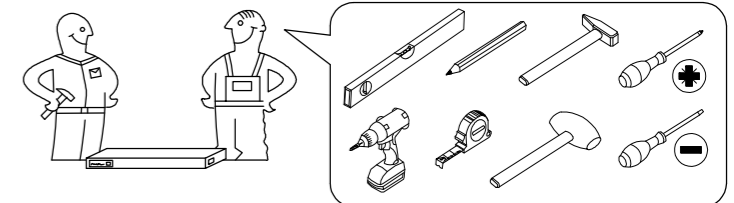
	PR2		P4
1SET		12	

LUX



KITCHEN 19D



Package No 1	
4L 2010x560	4R 2010x560
7G 19D-368x486	
7D 19D-368x486	
8 19D-368x480	
13A 19D-2008x383	

Package No 2	
1S 19D-396x140	
1G 19D-690x395	
1D 19D-572x395	
M4.0x27mm	
S1 3	R2 6

Package No 3
ø3.5x16mm V2 1 ø8x30mm A 12 ø3.5x16mm P4 20

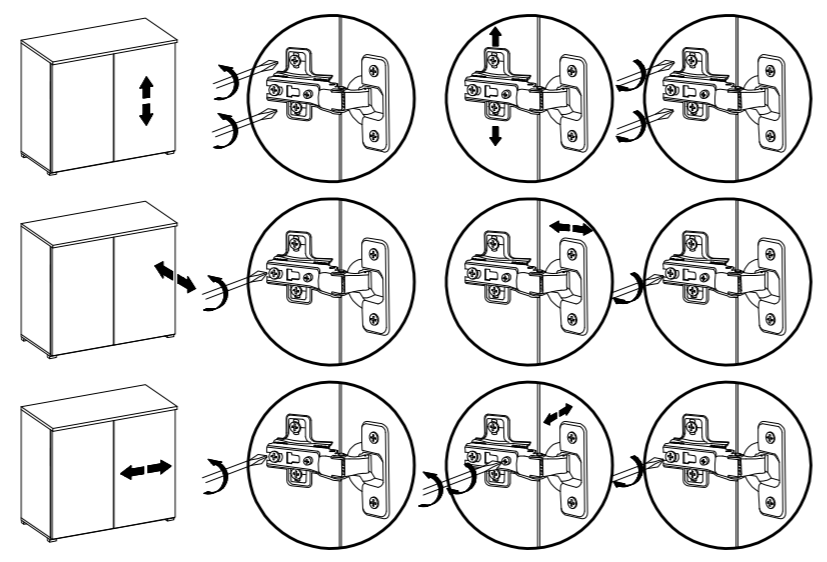
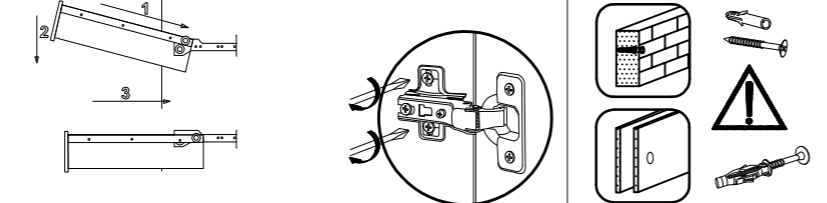
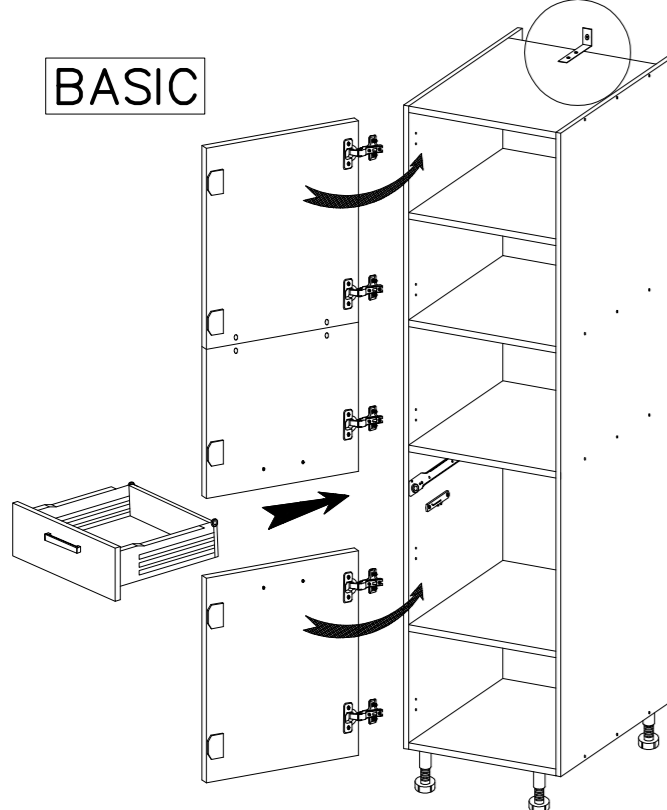
Package No 4	
4 LUX 19D-294x440 4 BASIC 19D-336x448	5 LUX 19D-282x67 5 BASIC 19D-336x70

ø3.5x16mm V2 1	ø15/12mm C 4	L-46 D2 2					
ø8x30mm A 12	B 18	O 1	F10 12	L 8	E4 5	ø8x40mm A1 3	
ø3.5x16mm P4 20	F5 4+2	J4 12	G6 5	P9 10	R7 4	E 4	A4 4

BASIC		
PR1 1SET	C3 1	
ø5.0x13mm P9 4	4.0x20mm P8 2	ø3.5x16mm P4 18

LUX	
PR2 1SET	P9 8
ø3.5x16mm P4 12	

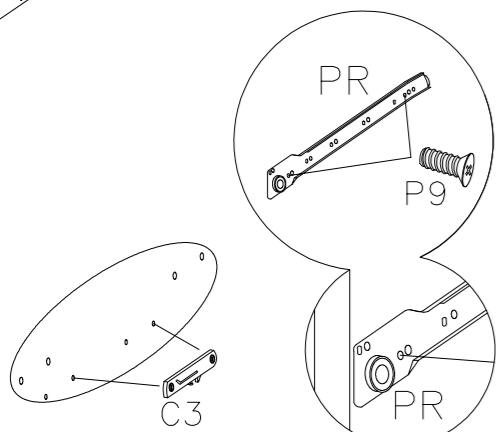
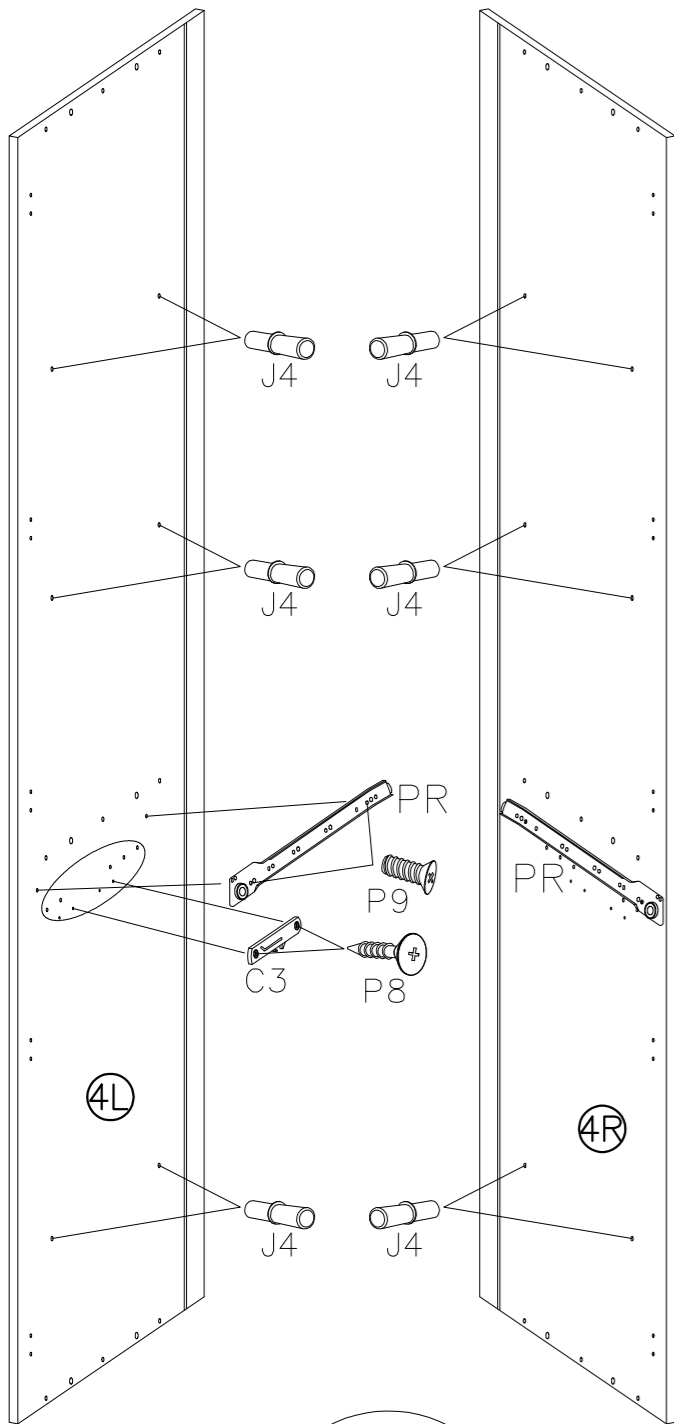
BASIC



1

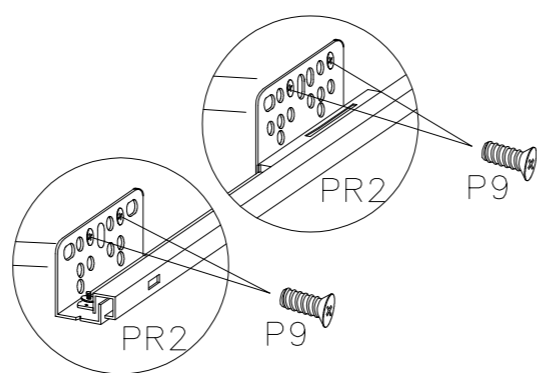
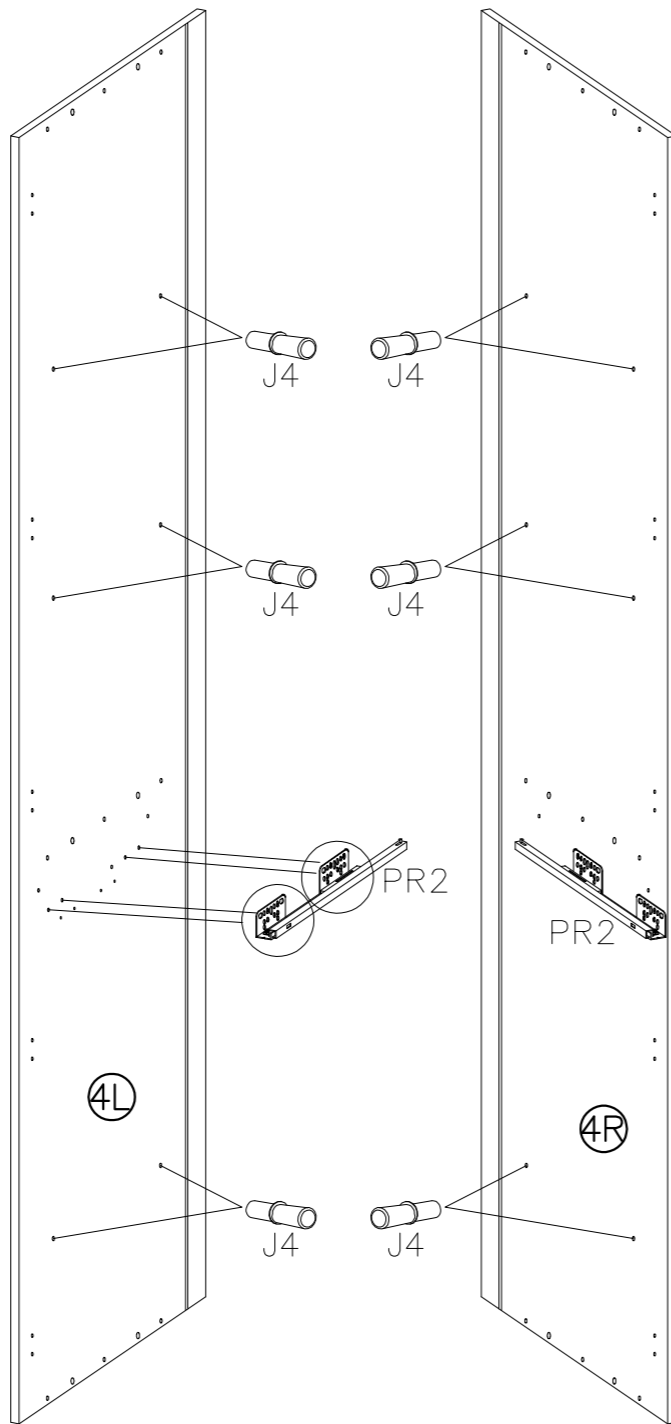
	$\varnothing 5.0 \times 13 \text{mm}$			4.0x20mm
1SET	4	12	1	2

BASIC



	$\varnothing 5.0 \times 13 \text{mm}$
1SET	8

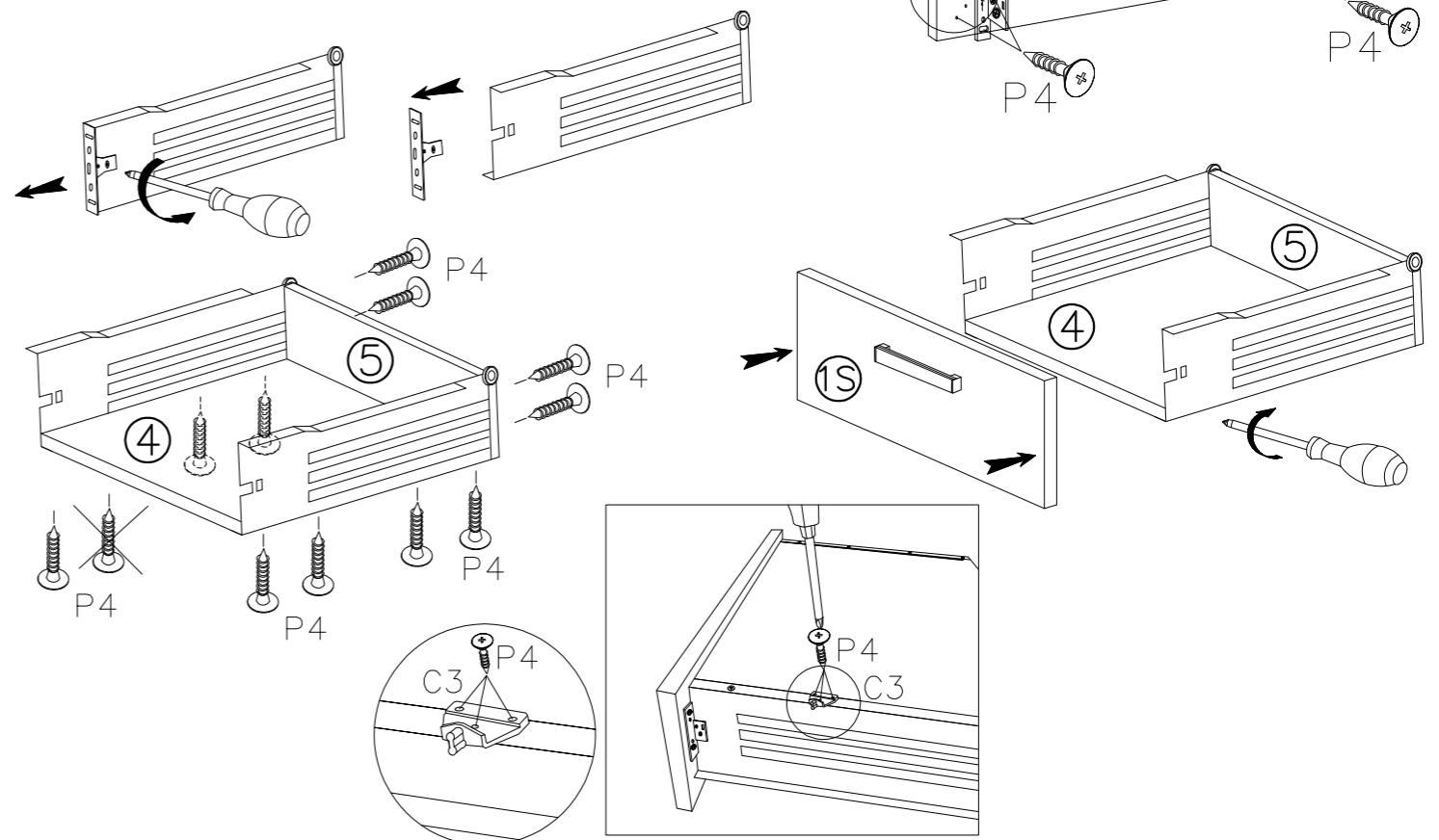
LUX



5

	$\varnothing 3.5 \times 16 \text{mm}$	
1KPL	18	1

BASIC



6

	F5
$4+2$	$4+2$
$\varnothing 3.5 \times 16 \text{mm}$	$\varnothing 3.5 \times 16 \text{mm}$
	P4
4	4

