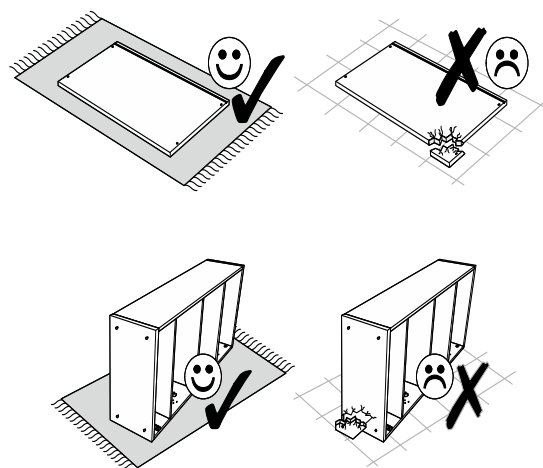
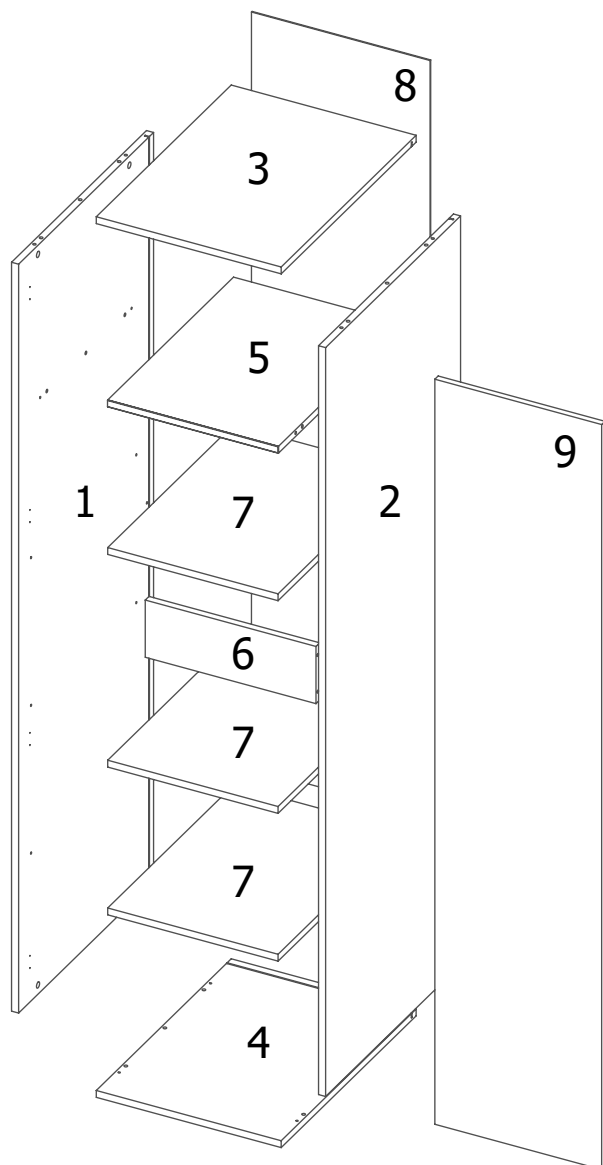
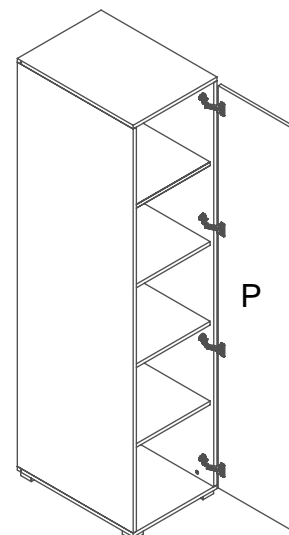
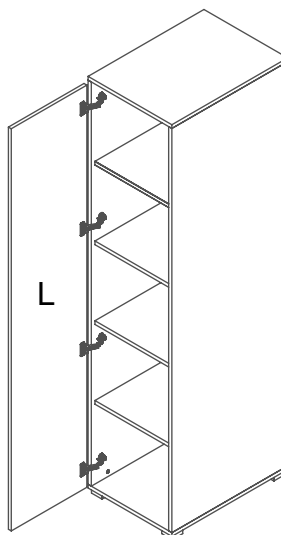
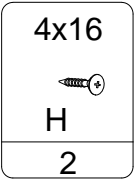
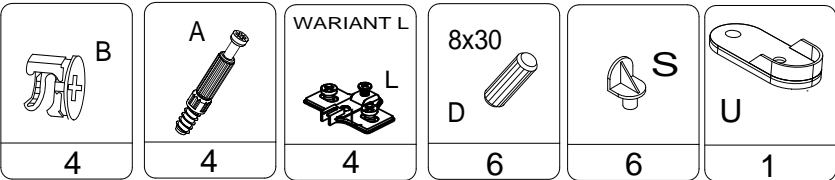
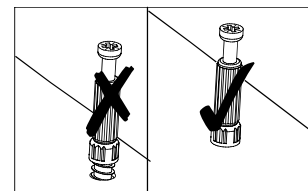
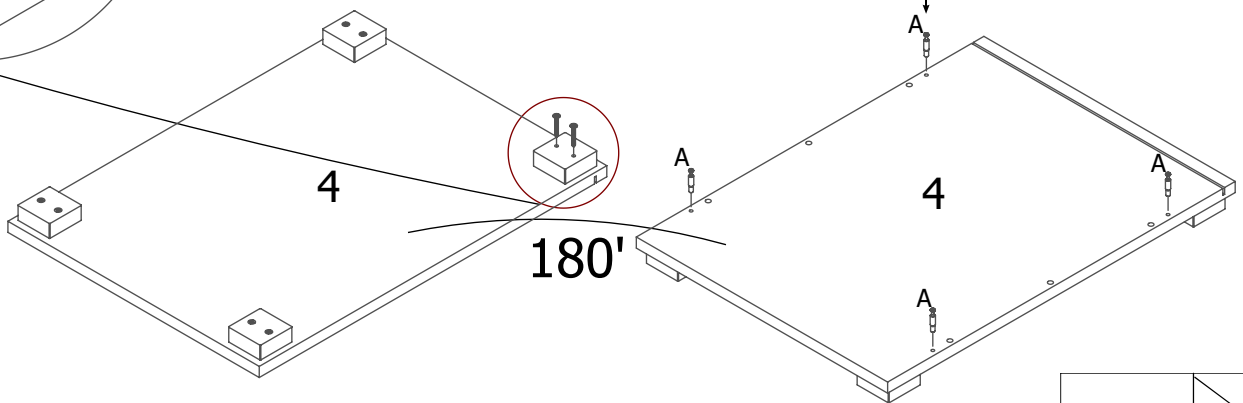
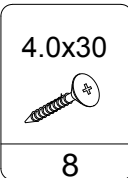
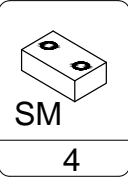
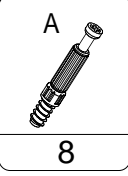
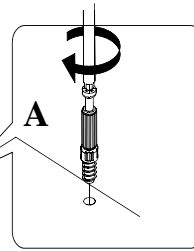
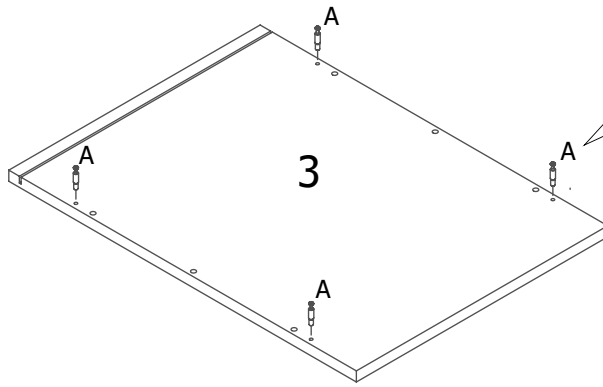
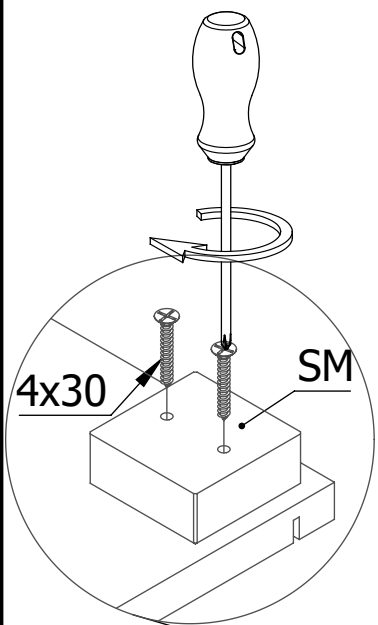


WARIANT L

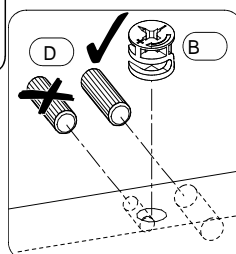
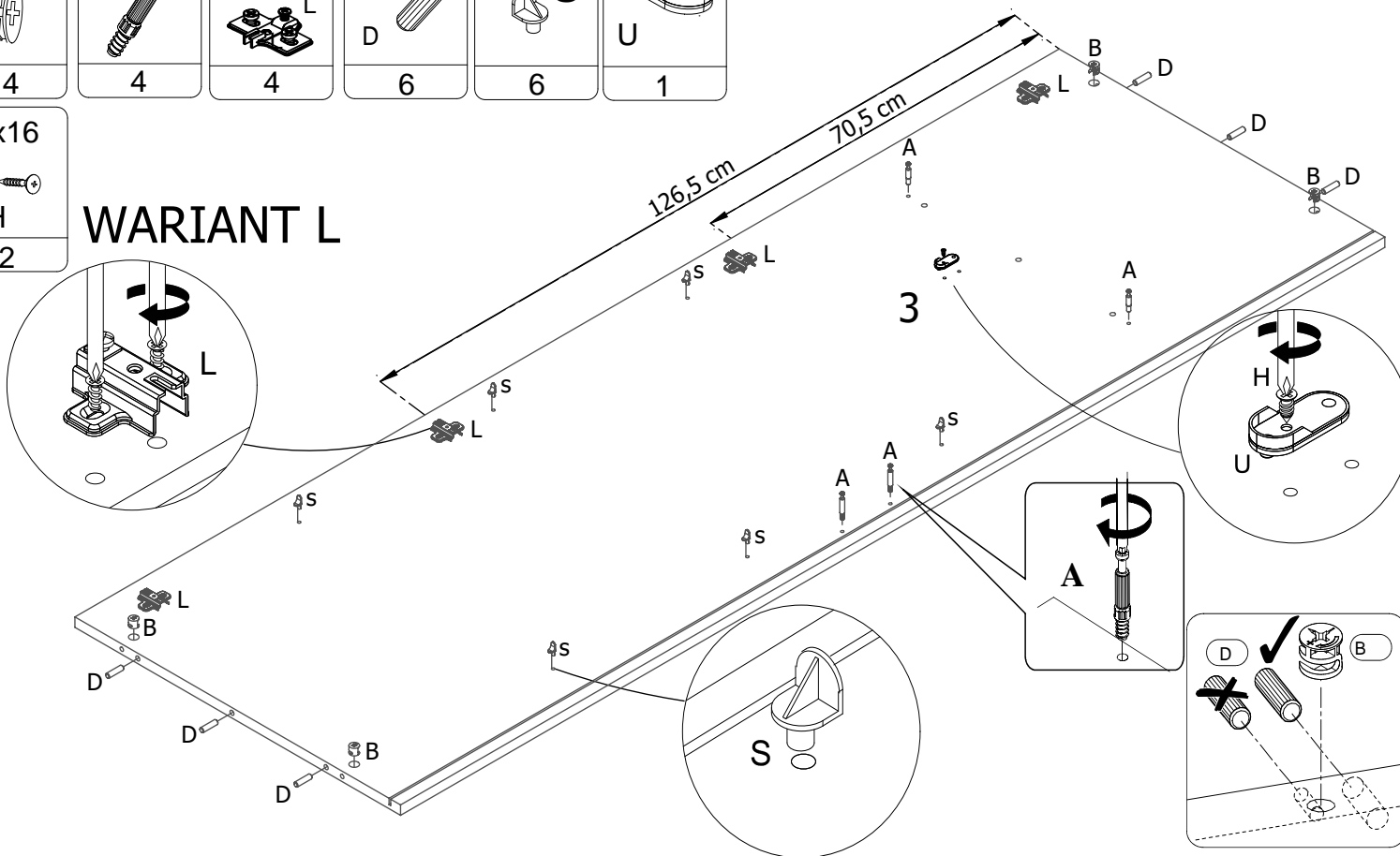
WARIANT P



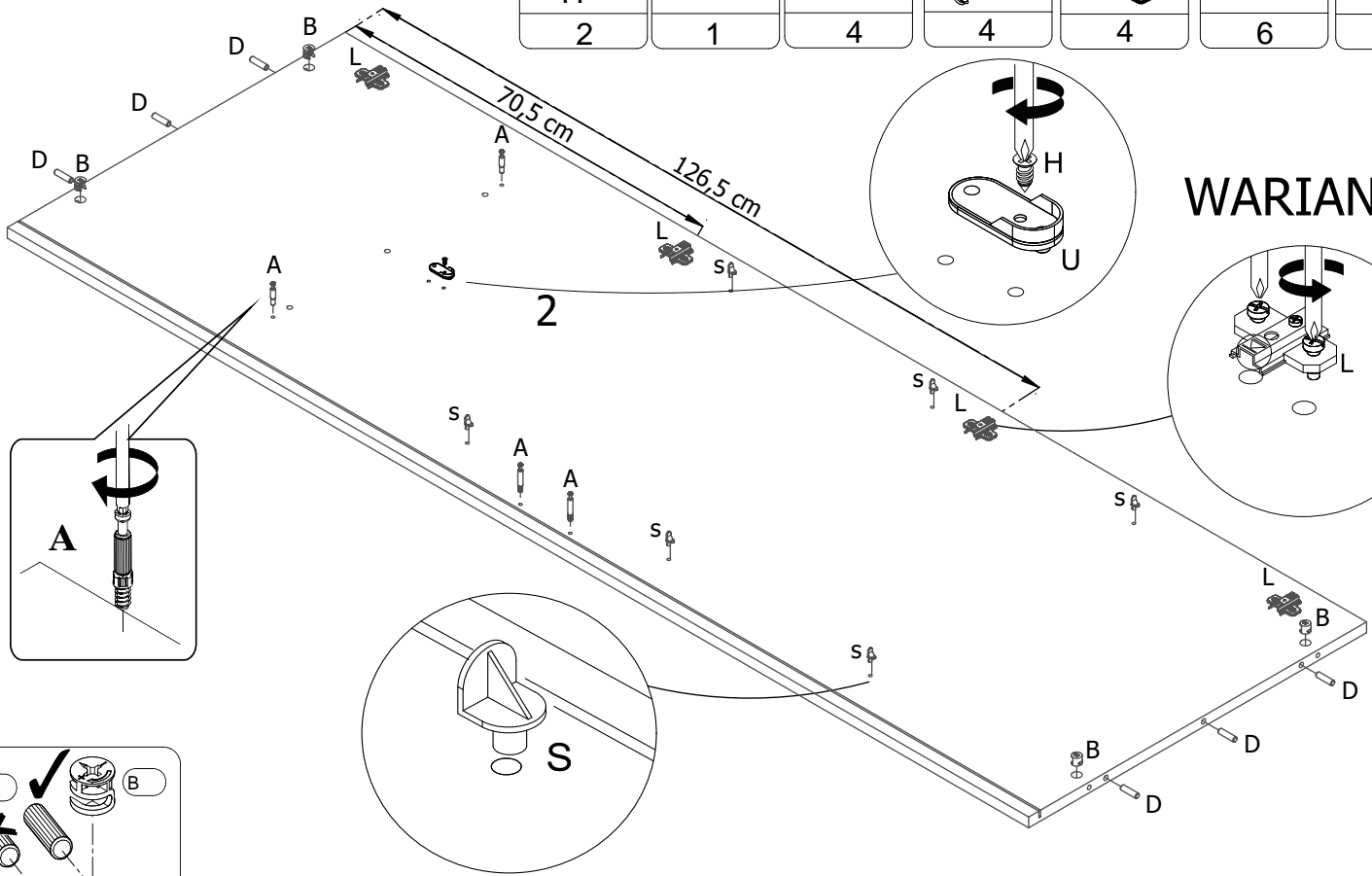
| | | | | | | |
|--------------------------------|--------------------|--------------------------------|--------------------|------------------------|--------------------|--------------------|
| <p>8x30</p> <p>D</p> <p>18</p> | <p>A</p> <p>16</p> | <p>B</p> <p>16</p> | <p>X</p> <p>16</p> | <p>Z</p> <p>4</p> | <p>UM</p> <p>1</p> | <p>S</p> <p>12</p> |
| <p>I</p> <p>8</p> | <p>L</p> <p>4</p> | <p>4x16</p> <p>H</p> <p>14</p> | <p>SM</p> <p>4</p> | <p>4.0x30</p> <p>8</p> | <p>U</p> <p>2</p> | |



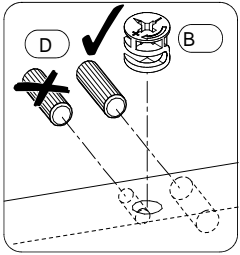
WARIANT L



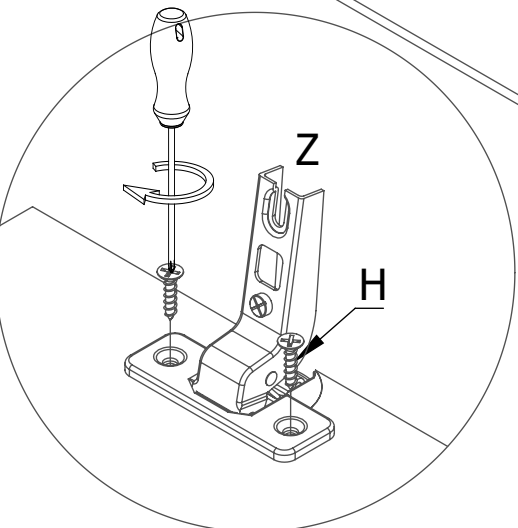
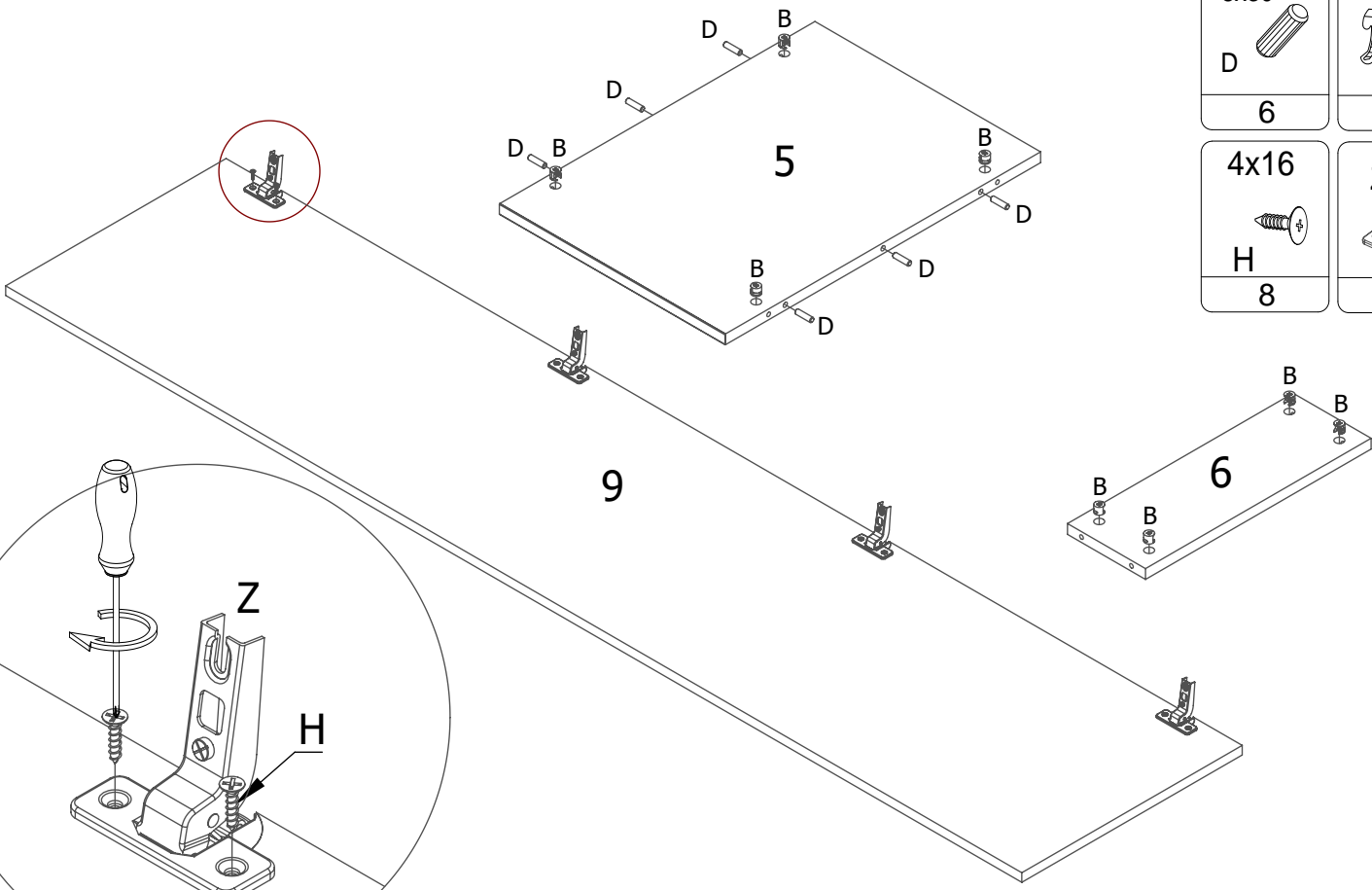
| | | | | | | |
|----------------|--------|--------|--------|---------------------|----------------|--------|
| 4x16 H 2 | U 1 | B 4 | A 4 | WARIANT P L 4 | 8x30 D 6 | S 6 |
|----------------|--------|--------|--------|---------------------|----------------|--------|

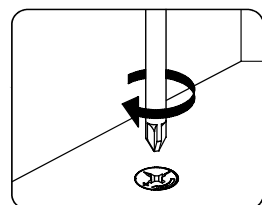
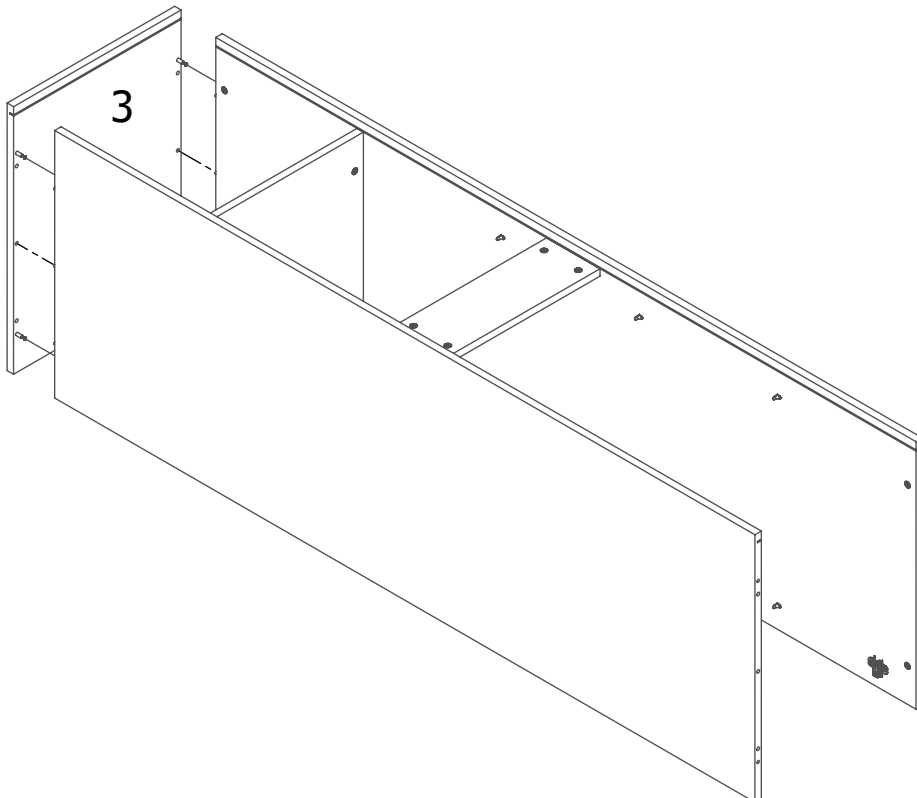
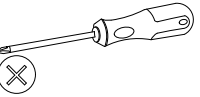
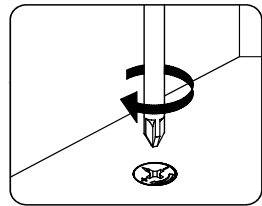
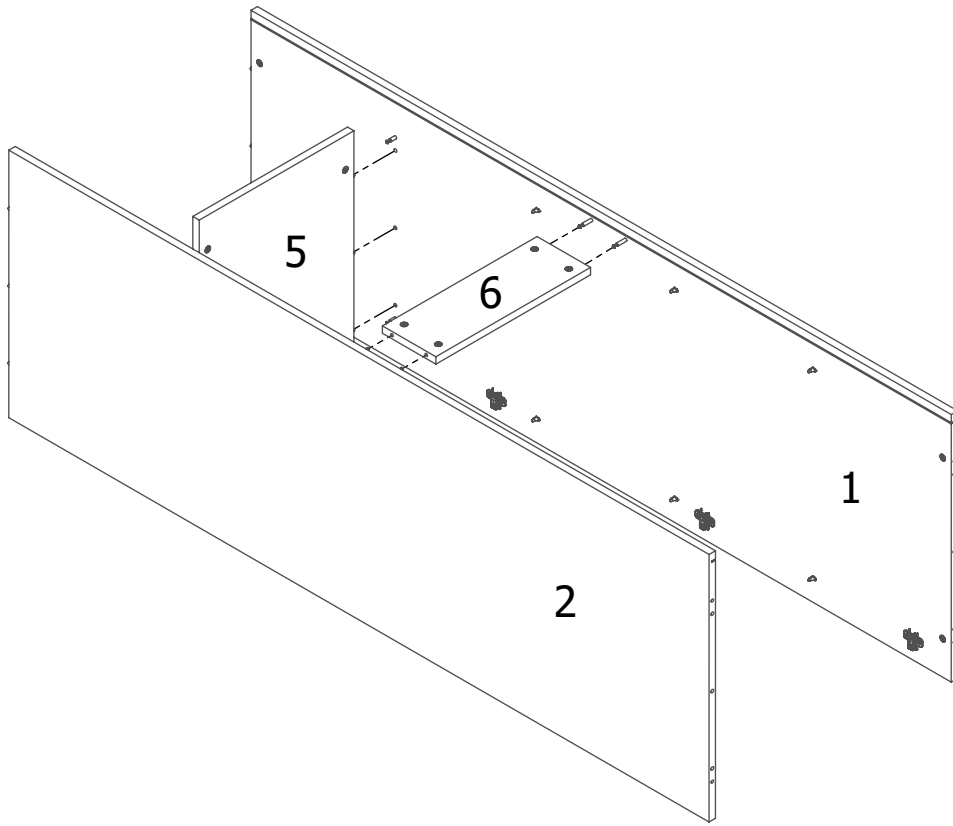
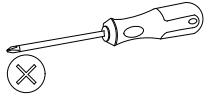


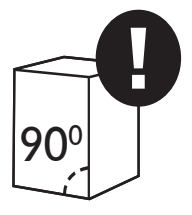
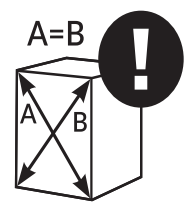
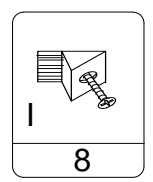
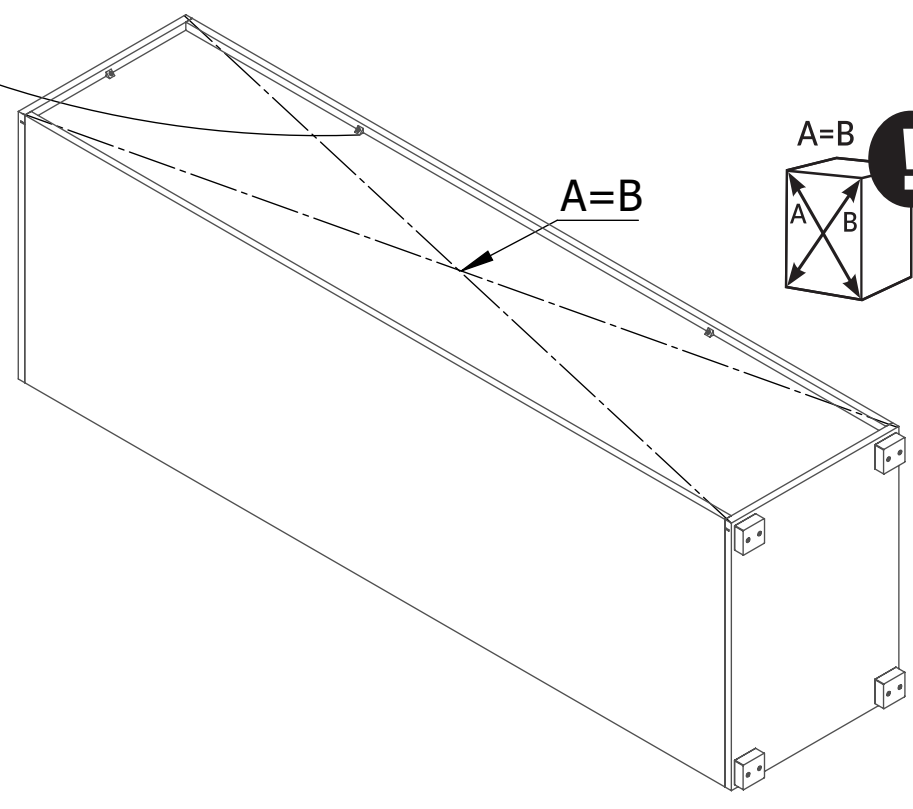
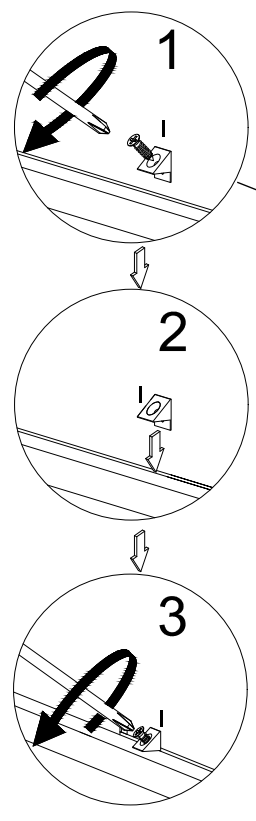
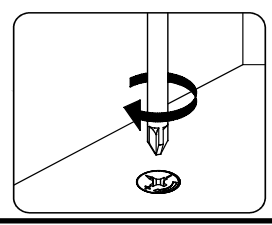
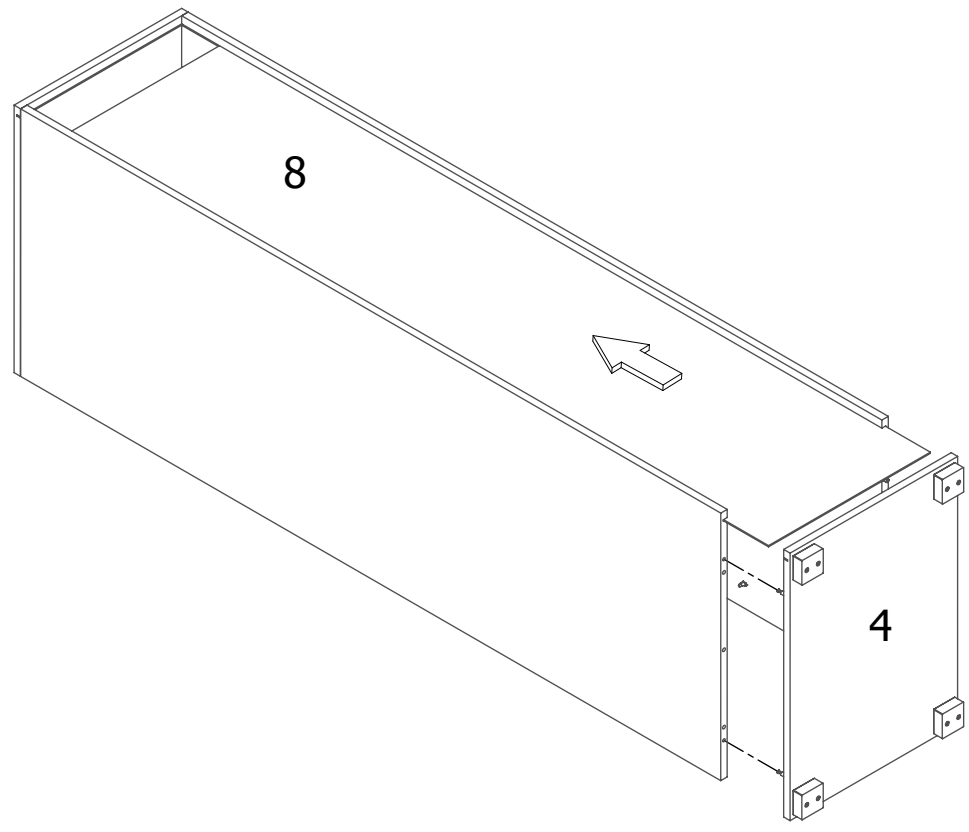
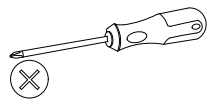
WARIANT P

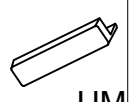


| | |
|----------------|--------|
| 8x30 D 6 | B 8 |
| 4x16 H 8 | Z 4 |







| | |
|--|------|
|  | 4x16 |
| UM | H |
| 1 | 2 |

